

US00D531082S

(12) **United States Design Patent** (10) **Patent No.:** **US D531,082 S**
Belokin (45) **Date of Patent:** **** Oct. 31, 2006**

(54) **DISPLAY CONTAINER**
(75) Inventor: **Paul Belokin**, Denton, TX (US)
(73) Assignee: **Martin Paul, Inc.**, Denton, TX (US)
(**) Term: **14 Years**
(21) Appl. No.: **29/213,981**
(22) Filed: **Sep. 24, 2004**

2,641,415 A 6/1953 Moriarty 242/55.2
2,663,104 A 12/1953 Hoagland 40/124.1
2,734,312 A 2/1956 Vaghi 47/41
2,779,595 A 1/1957 Ensley 272/31
2,884,741 A * 5/1959 Lange D11/152
2,922,253 A 1/1960 Carter 46/232
2,951,593 A 9/1960 Lake 211/144
2,971,671 A 2/1961 Shakman 220/66
3,030,733 A 4/1962 Crawford 46/243
3,031,784 A 5/1962 Stein 40/128

(Continued)

(51) **LOC (8) Cl.** **11-02**
(52) **U.S. Cl.** **D11/143**
(58) **Field of Classification Search** D11/143-156,
D11/164; D6/556-558; D7/500, 503, 509,
D7/523, 524, 527, 528, 558, 565; D9/549,
D9/569; 47/40.5, 41.01, 42, 44, 47, 65.6,
47/65.7, 66.1, 66.6, 66.7, 67, 71-73, 79,
47/87; 206/423; D12/106, 202, 204, 206-213
See application file for complete search history.

FOREIGN PATENT DOCUMENTS

CA 714756 8/1965
DE 840950 6/1952
GB 504444 4/1939
GB 534177 2/1941
GB 768467 2/1957
GB 995531 6/1965

OTHER PUBLICATIONS

Pending U.S. Appl. No. 29/213,999, entitled "*Display Case*"
filed Sep. 24, 2004; Inventors: Paul Belokin.
Pending U.S. Appl. No. 10/949,937, "*Display Assembly and*
Method" filed Sep. 24, 2004; Inventors: Paul Belokin.

Primary Examiner—Robert M. Spear
Assistant Examiner—Garth Rademaker
(74) *Attorney, Agent, or Firm*—Jack A. Kanz

(56) **References Cited**
U.S. PATENT DOCUMENTS

106,262 A 8/1870 Fine
592,004 A 10/1897 Ebersole
613,985 A 11/1898 Gadbury
663,614 A 12/1900 Riedmuller
728,327 A 5/1903 Tanron
901,520 A 10/1908 Burris
D49,384 S * 7/1916 Benett D11/147
1,487,816 A 3/1924 Sintzel
1,504,883 A 5/1924 Fazio
1,520,697 A 12/1924 Carlson
1,645,399 A 10/1927 Pontikis
1,727,700 A 9/1929 Dickson
1,879,511 A 9/1932 Rodgers
1,976,093 A 10/1934 Raymond 41/10
2,032,677 A 3/1936 Watson 273/138
2,058,755 A 10/1936 Arnesen 136/173
2,102,470 A * 12/1937 Lyon D12/212
2,214,410 A 9/1940 Evans 40/133
2,528,268 A 10/1950 Dickinson 46/77
2,555,594 A 6/1951 Markovitz 206/62
2,608,779 A 9/1952 Joy 40/77

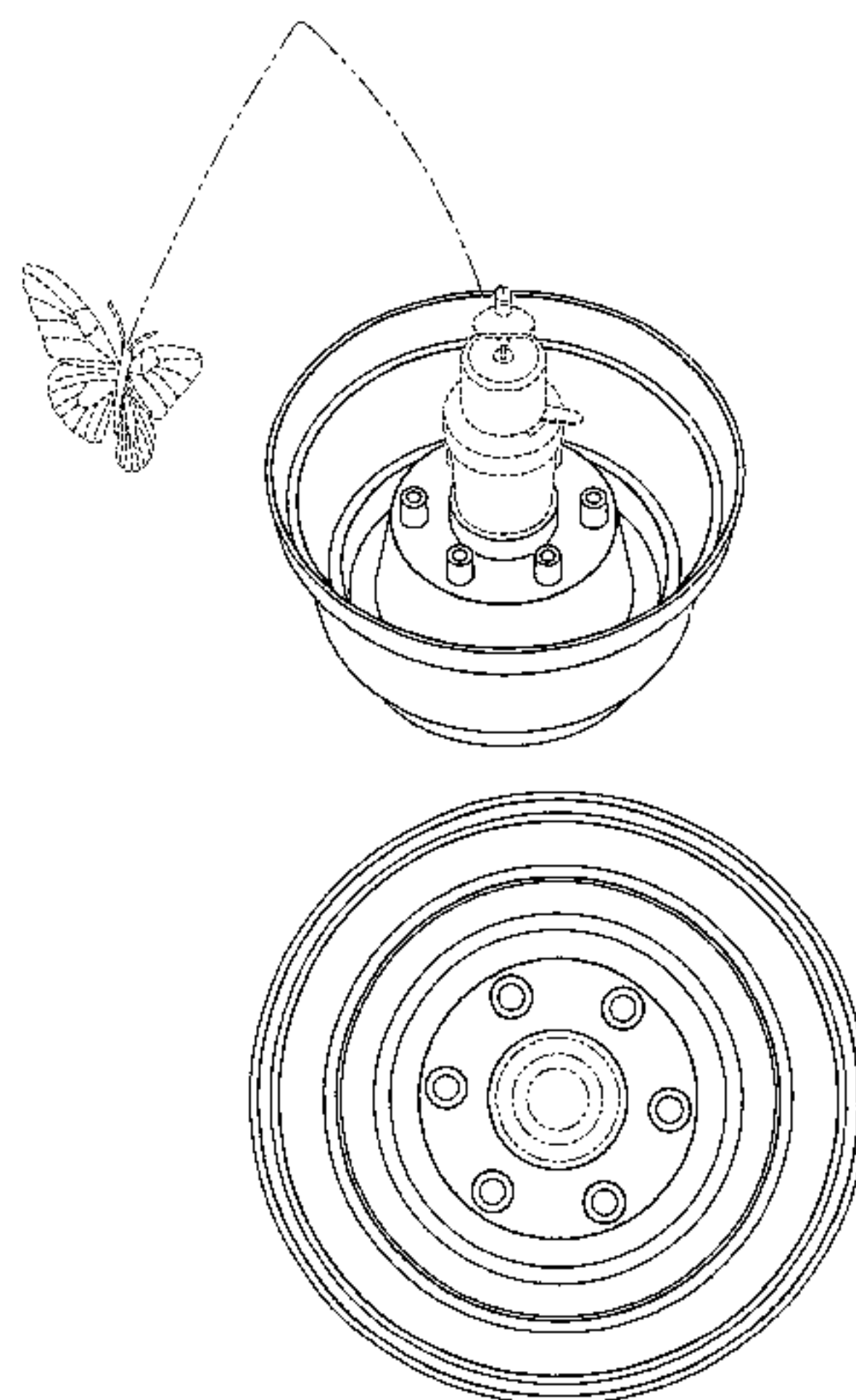
(57) **CLAIM**

The ornamental design for a display container, as shown.

DESCRIPTION

FIG. 1 is a side perspective view of the display container
showing my new design;
FIG. 2 is a top perspective view thereof;
FIG. 3 is a top plan view thereof; and,
FIG. 4 is a bottom plan view thereof.
The broken lines are for illustrative purposes only and form
no part of the claimed design.

1 Claim, 3 Drawing Sheets



US D531,082 S

Page 2

U.S. PATENT DOCUMENTS

D194,506 S *	2/1963	Laan	D11/147	3,767,104 A	10/1973	Bachman et al.	229/7 R
3,089,605 A	5/1963	Buonauro	215/99.5	3,888,030 A	6/1975	Bradt	40/126 R
3,182,613 A	5/1965	Hagan	108/91	3,929,230 A	12/1975	Luthi	211/177
3,231,995 A	2/1966	Anthony	40/128	3,964,189 A	6/1976	Belokin, Jr.	40/33
3,235,196 A	2/1966	Platt	242/55.53	3,975,845 A	8/1976	Mellard	40/106.3
3,242,330 A	3/1966	Schoffer	240/10.1	3,991,686 A	11/1976	Mechachonis	108/28
3,284,935 A	11/1966	Kutschmende	40/33	D249,273 S	9/1978	Day	D19/78
3,295,671 A	1/1967	Wuensch et al.	206/44	4,156,835 A	5/1979	Whitney et al.	318/561
3,405,459 A	10/1968	Belokin, Jr.	35/31	4,180,932 A	1/1980	Millard	40/455
3,428,267 A	2/1969	Briles	242/55.53	4,193,351 A	3/1980	Belokin, Jr.	108/59
3,431,410 A	3/1969	Dolan et al.	240/10.1	4,403,702 A	9/1983	Belokin, Jr.	211/189
3,444,636 A	5/1969	Belokin, Jr.	40/106.25	4,568,287 A	2/1986	Wederski	434/285
3,477,157 A	11/1969	Paquette	40/126	4,901,458 A	2/1990	Belokin et al.	40/414
3,482,731 A	12/1969	Douty	220/69	4,904,220 A	2/1990	Williams et al.	446/227
3,494,058 A	2/1970	Paquette	40/126	4,949,486 A	8/1990	Belokin et al.	40/414
3,526,335 A	9/1970	Swett et al.	220/69	D328,449 S *	8/1992	Abele	D12/204
3,531,637 A	9/1970	Nathanson	240/10.6	5,146,702 A	9/1992	Belokin, Jr.	40/430
3,539,124 A	11/1970	Belokin, Jr.	242/55.54	5,247,754 A	9/1993	Belokin, Jr.	40/414
3,543,699 A	12/1970	Leikarts	108/59	D397,662 S *	9/1998	LeJuerne	D12/209
3,612,288 A	10/1971	Lesley	211/132	D415,295 S *	10/1999	Kochis et al.	D26/9
3,626,871 A	12/1971	McClendon	108/151	D423,445 S *	4/2000	Baumgartner	D12/211
3,634,679 A	1/1972	Krzyston	240/10.1	D453,488 S *	2/2002	McCauley	D11/152
3,672,723 A	6/1972	Decursu et al.	297/440	6,357,179 B1 *	3/2002	Buss	47/65.5
3,695,458 A	10/1972	Nagel	211/177	D485,710 S *	1/2004	Burkhart et al.	D11/152
3,736,683 A	6/1973	Paquette	40/126	6,766,615 B1 *	7/2004	Smead	47/71
3,749,903 A	7/1973	Belokin, Jr.	240/10.1					

* cited by examiner

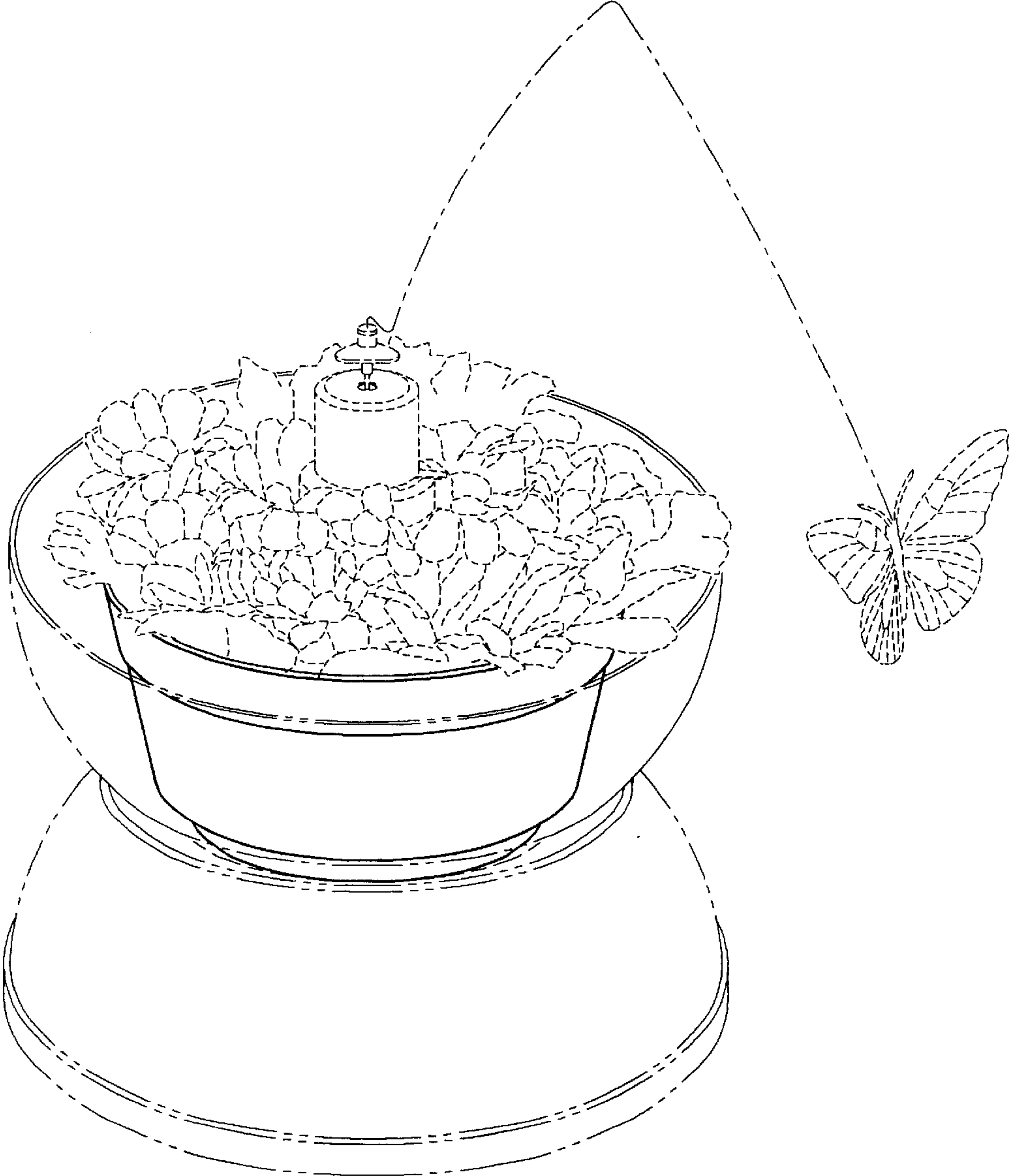


FIG. 1

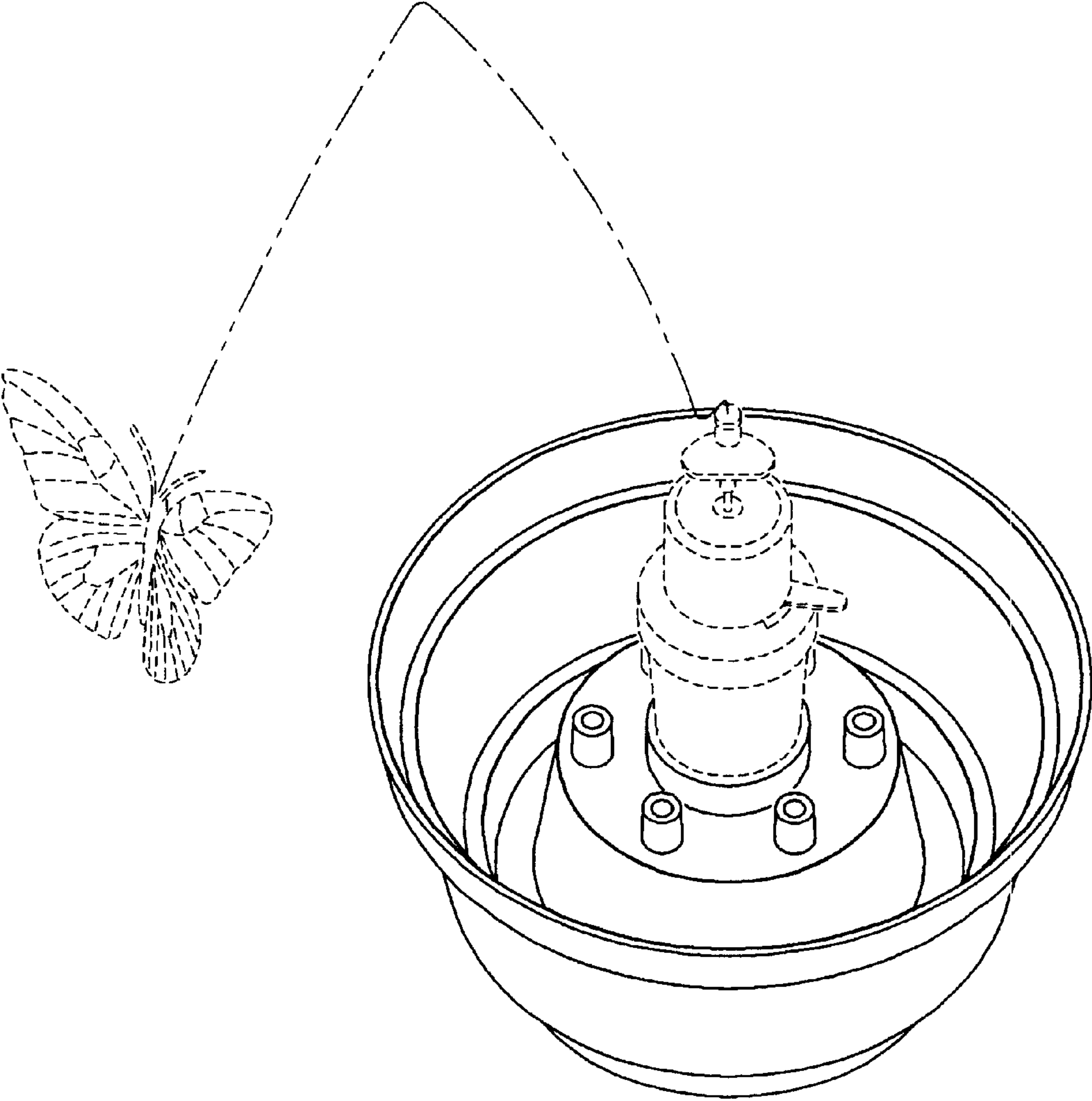


FIG. 2

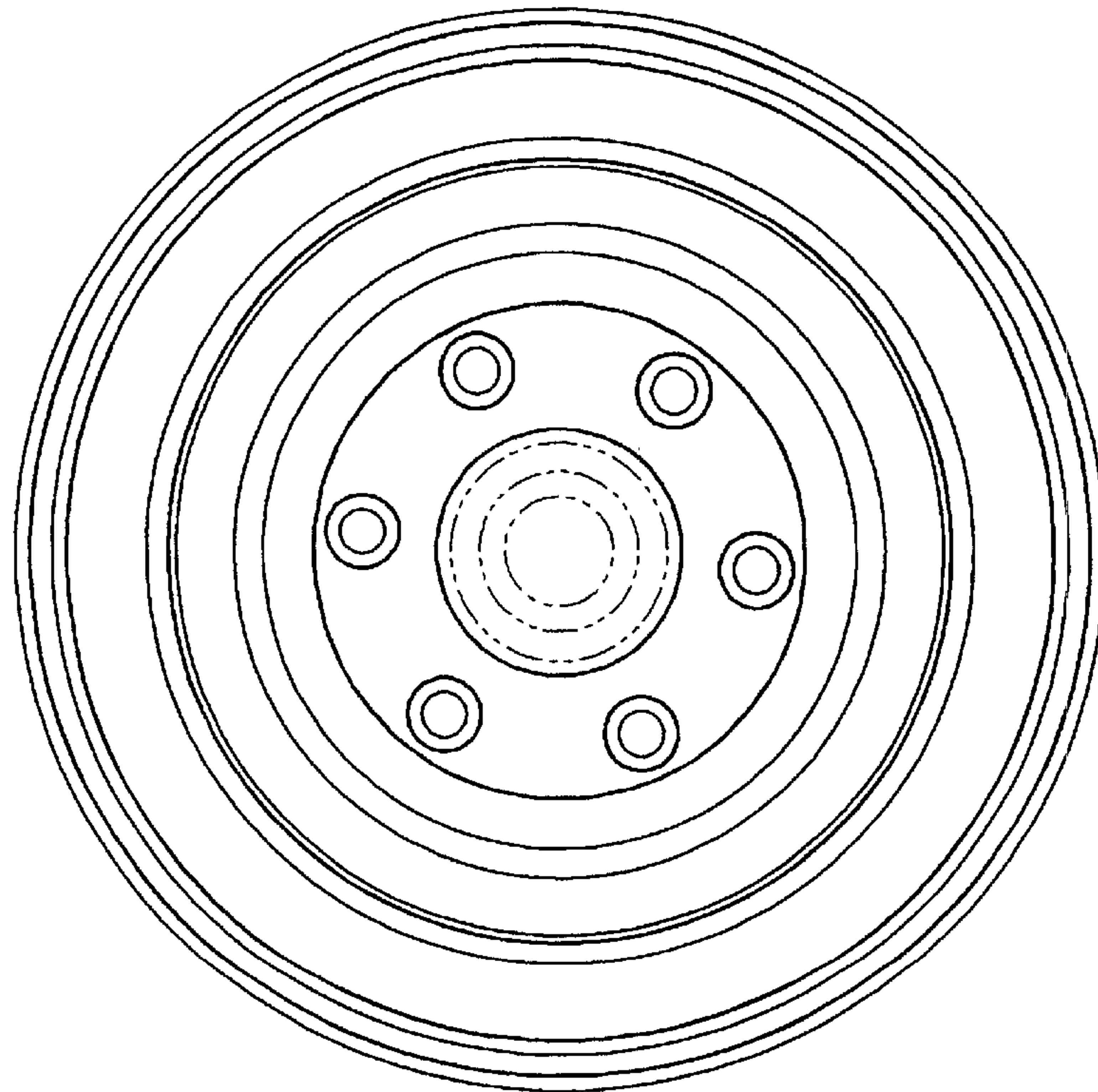


FIG. 3

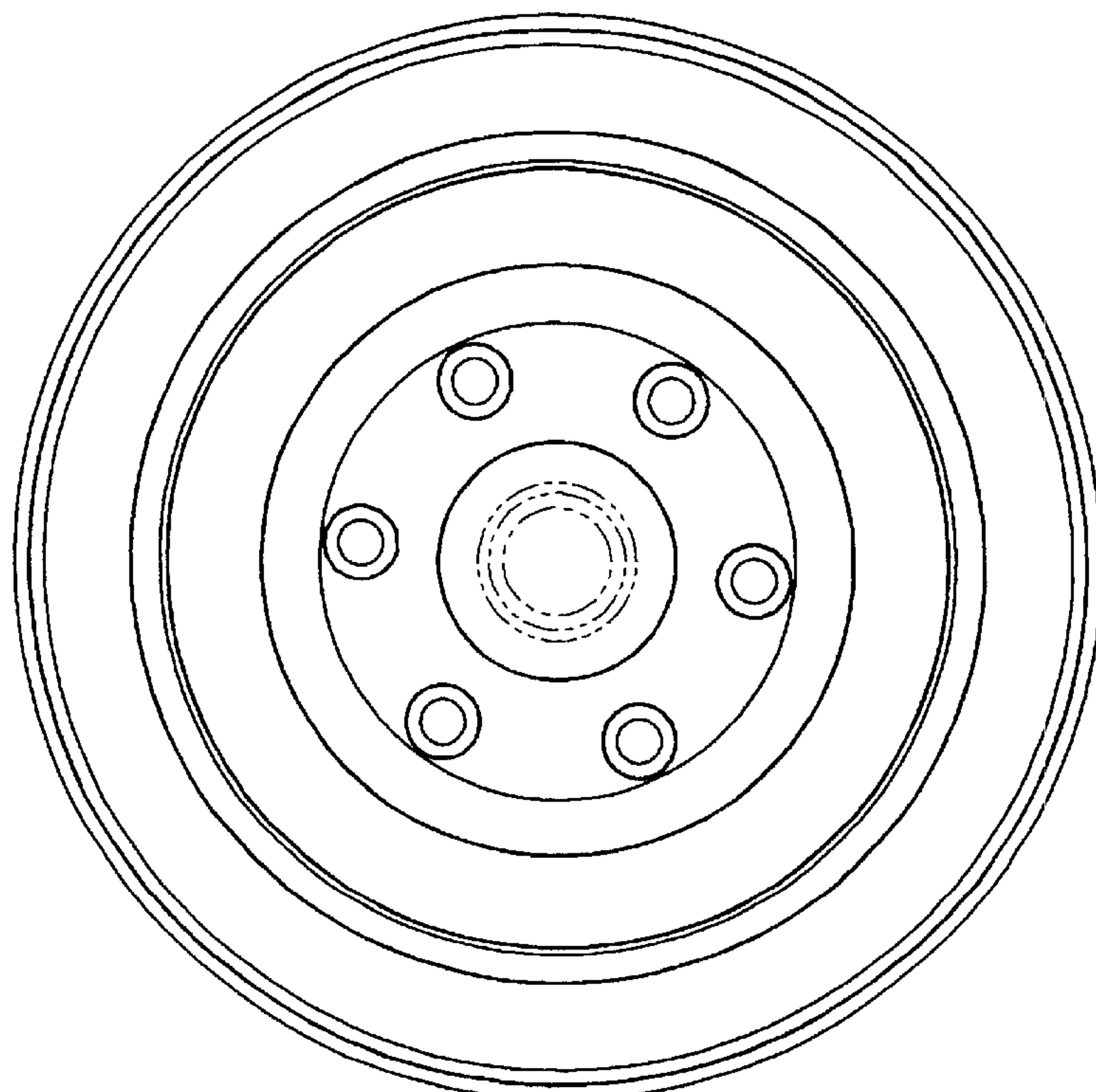


FIG. 4