



US00D531080S

(12) **United States Design Patent**
Swarovski

(10) **Patent No.:** **US D531,080 S**

(45) **Date of Patent:** **** Oct. 31, 2006**

(54) **NATURAL OR ARTIFICIAL GEMSTONE,
ORNAMENTAL OBJECT MADE OF GLASS**

(75) Inventor: **Helmut Swarovski**, Fritzens (AT)

(73) Assignee: **Swarovski Aktiengesellschaft**, Triesen (LI)

(**) Term: **14 Years**

(21) Appl. No.: **29/214,391**

(22) Filed: **Oct. 4, 2004**

(30) **Foreign Application Priority Data**

Apr. 2, 2004 (EM) 156260

(51) **LOC (8) Cl.** **11-01**

(52) **U.S. Cl.** **D11/90**

(58) **Field of Classification Search** D11/1-2,
D11/26-29, 89-92; 63/26-28, 32
See application file for complete search history.

(56) **References Cited**

U.S. PATENT DOCUMENTS

D430,060 S * 8/2000 Kavalek D11/90

D430,503 S * 9/2000 Kavalek D11/90
D446,150 S * 8/2001 Bamminger D11/90
D487,713 S * 3/2004 Bamminger et al. D11/90
D516,585 S * 3/2006 Granig et al. D15/9

* cited by examiner

Primary Examiner—Ralf Seifert

(74) *Attorney, Agent, or Firm*—Wenderoth, Lind & Ponack, L.L.P.

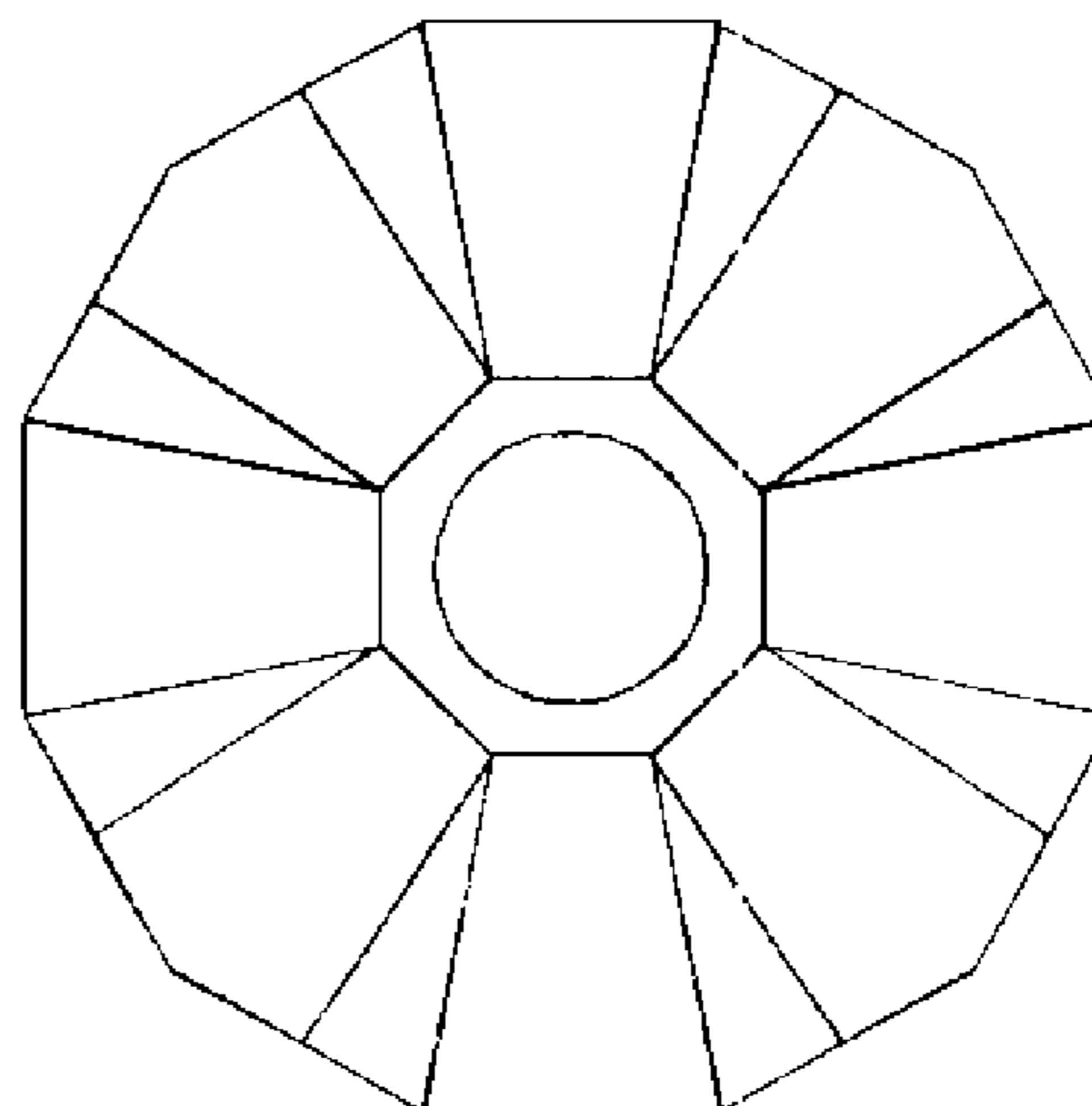
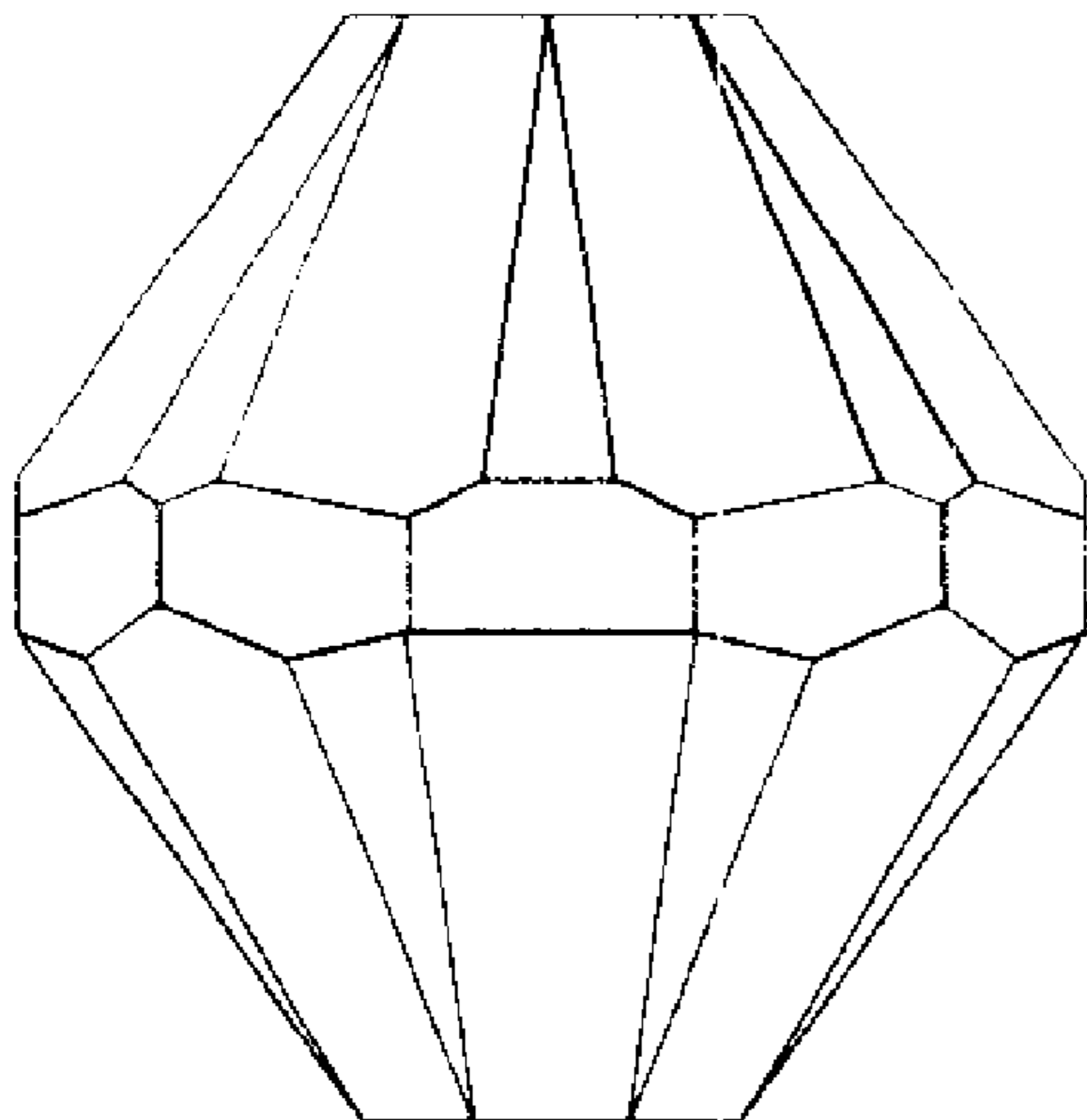
(57) **CLAIM**

The ornamental design for a natural or artificial gemstone, ornamental object made of glass, as shown and described.

DESCRIPTION

FIG. 1 is a top view of a natural or artificial gemstone, ornamental object made of glass showing my new design; FIG. 2 is a right side view; FIG. 3 is a bottom view; FIG. 4 is a front view; FIG. 5 is a rear view; FIG. 6 is a perspective view; and, FIG. 7 is a left side view.

1 Claim, 1 Drawing Sheet



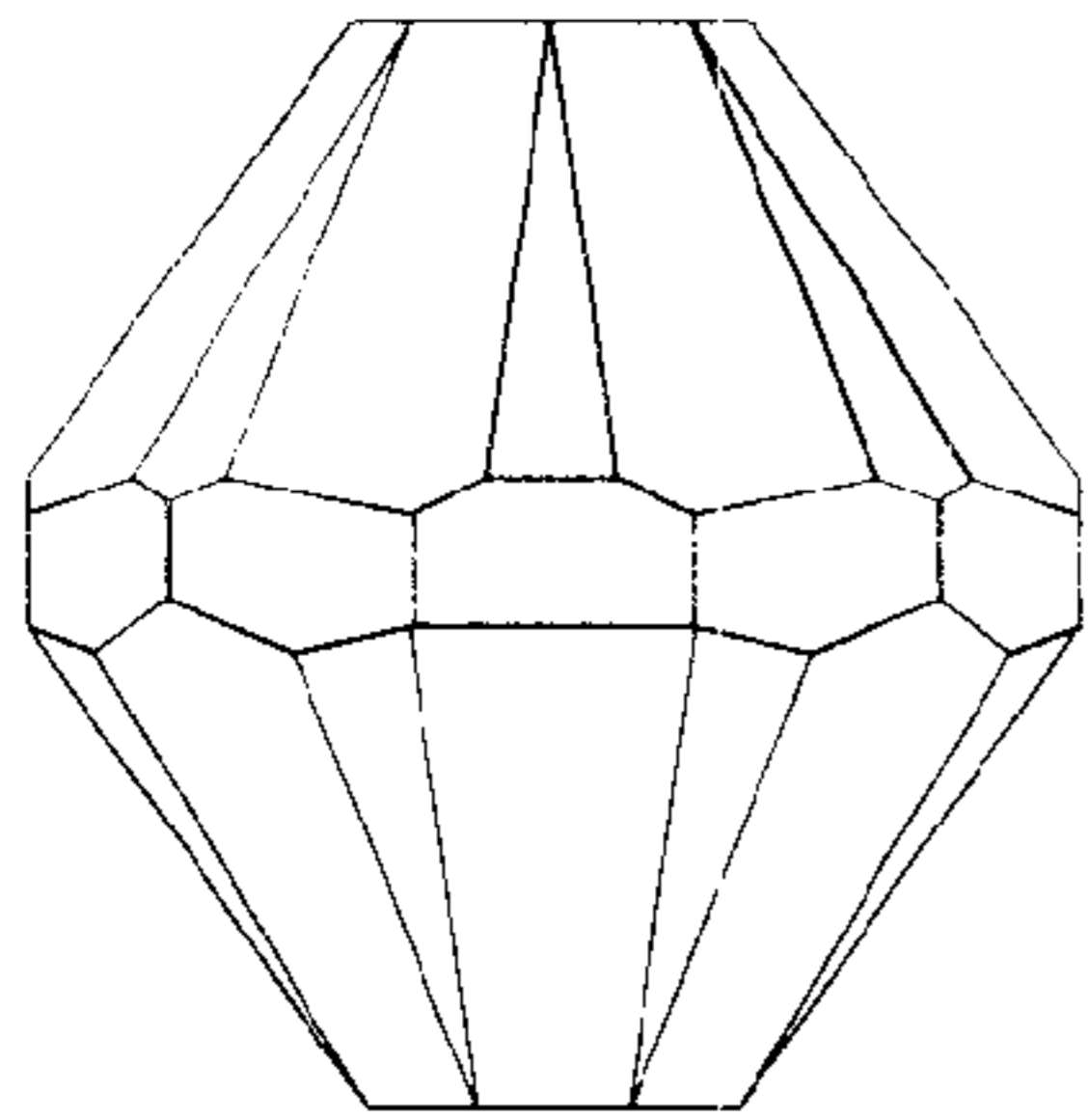


Fig. 1

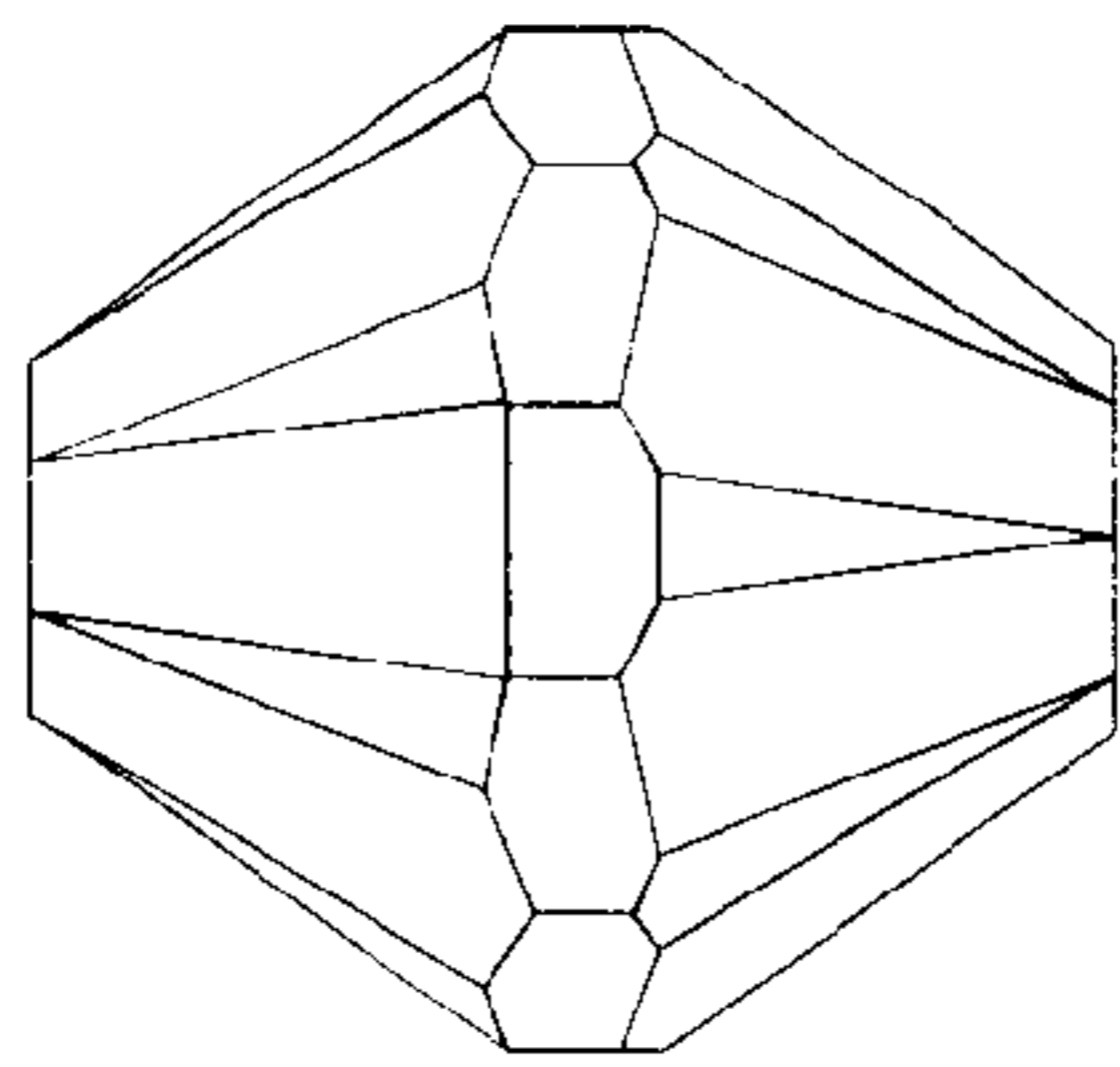


Fig. 2

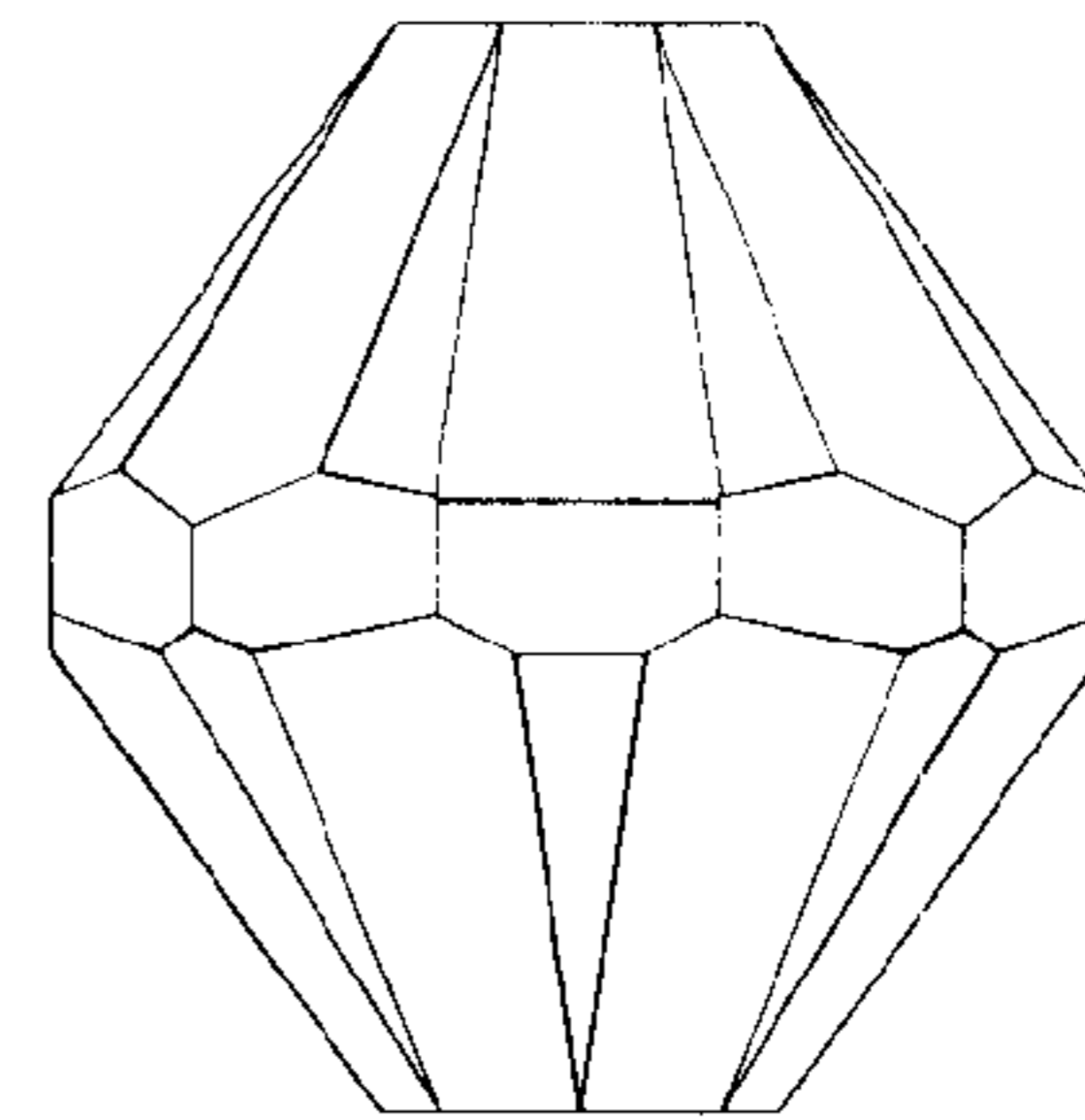


Fig. 3

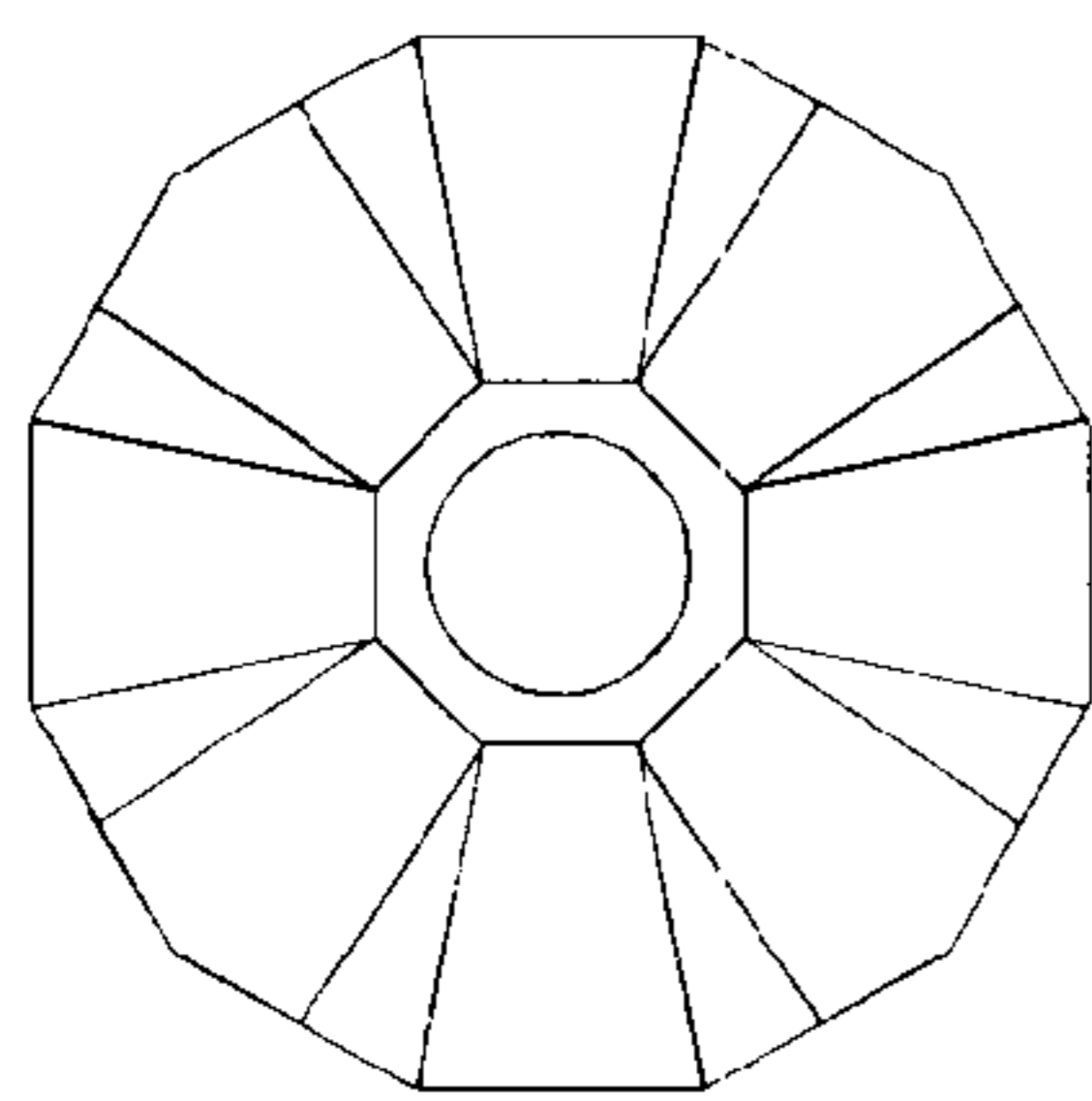


Fig. 4

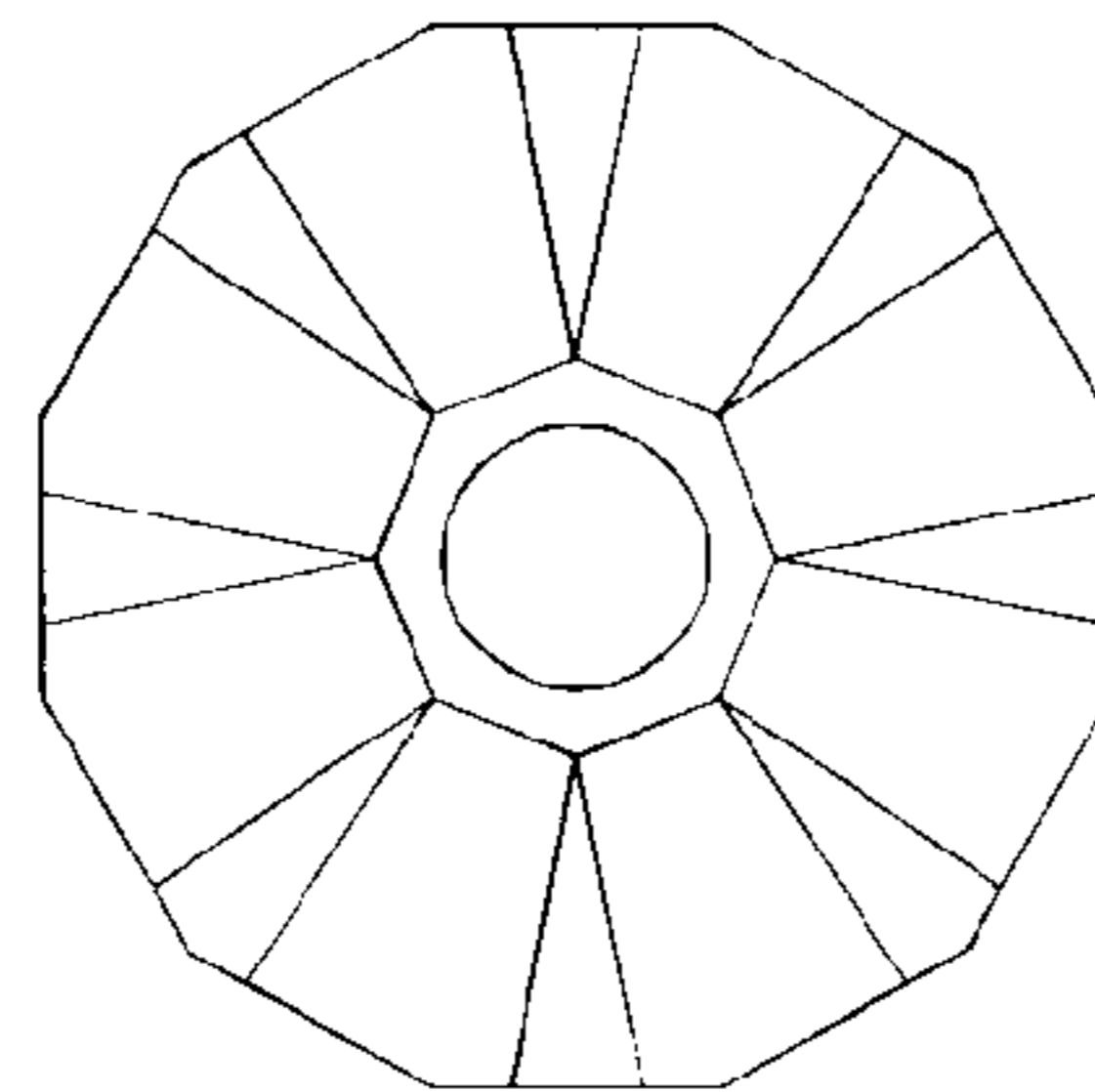


Fig. 5

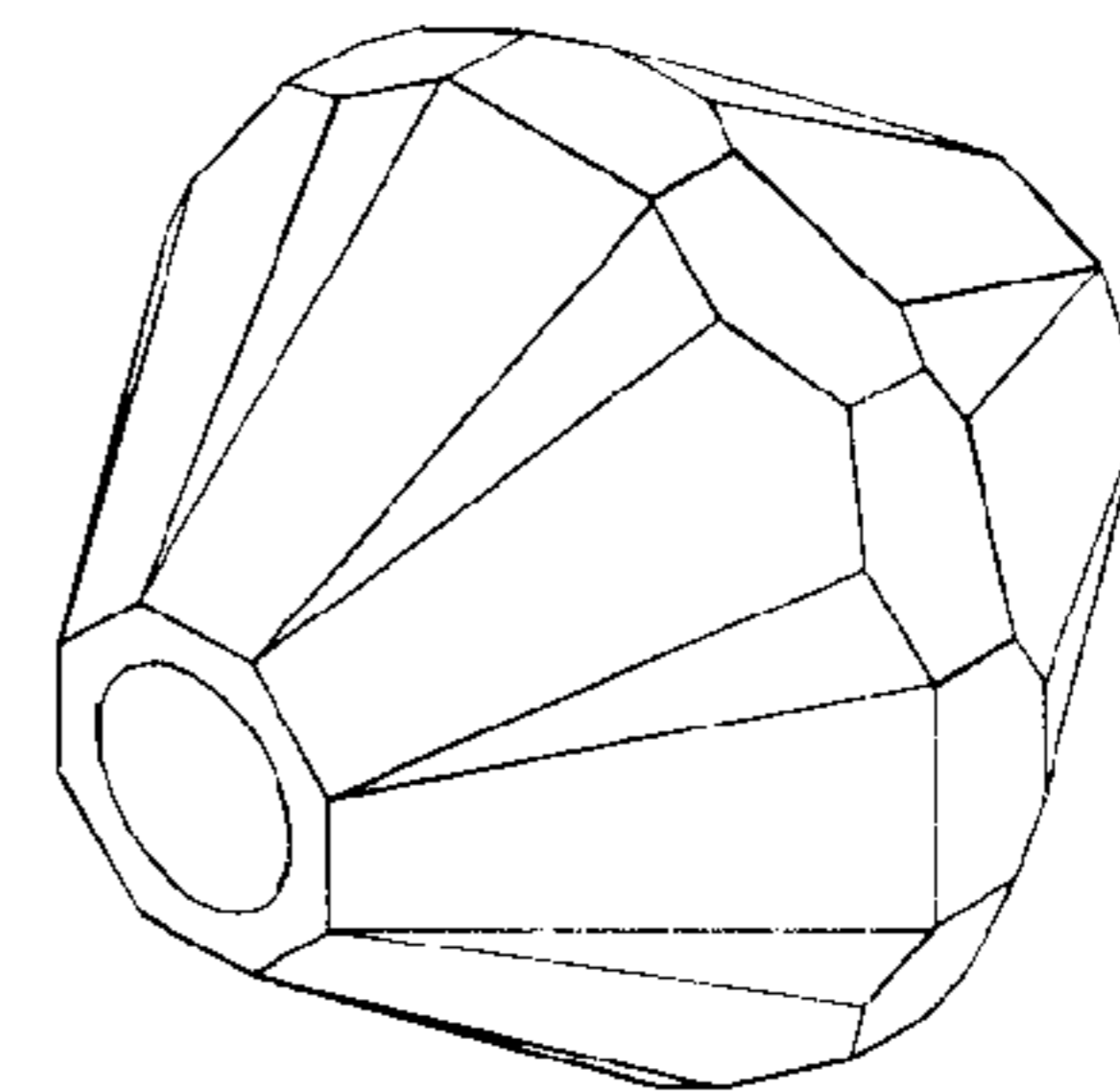


Fig. 6

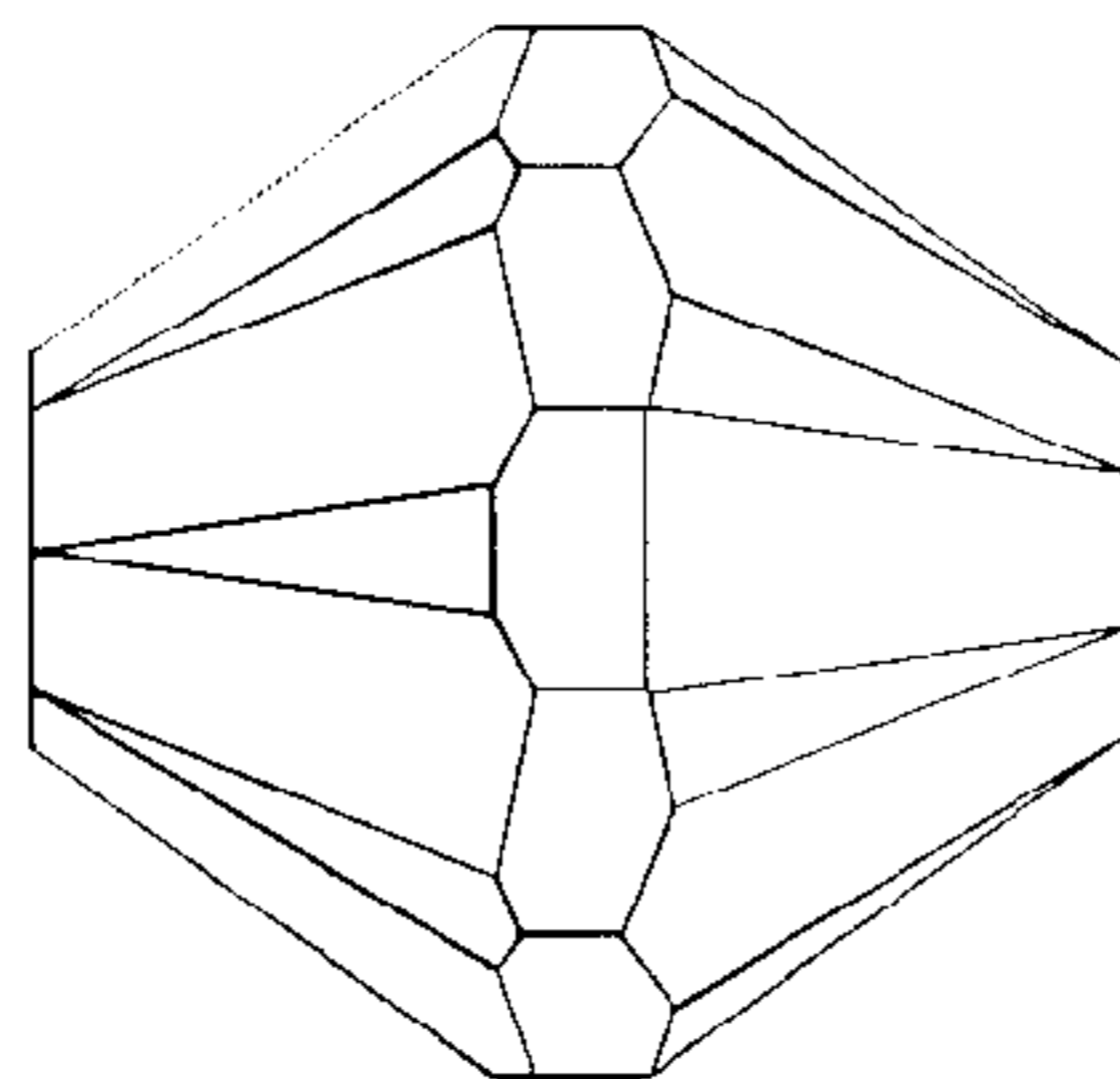


Fig. 7