



US00D531075S

(12) **United States Design Patent**  
**Vantine**

(10) **Patent No.:** **US D531,075 S**  
(45) **Date of Patent:** **\*\* Oct. 31, 2006**

- (54) **CD CASE SHAPED SCALE**
  - (76) Inventor: **Lee Vantine**, 1836 Ashley River Rd.,  
Suite 320, Charleston, SC (US) 29407
  - (\*\*) Term: **14 Years**
  - (21) Appl. No.: **29/234,480**
  - (22) Filed: **Jul. 19, 2005**
  - (51) **LOC (8) Cl.** ..... **10-04**
  - (52) **U.S. Cl.** ..... **D10/92**
  - (58) **Field of Classification Search** ..... D10/92;  
177/DIG. 3, 238–245, 210 R, 210 C, 25,  
177/30, 25.13–25.16, 126–127; 600/547,  
600/506
- See application file for complete search history.

- D493,115 S 7/2004 Juteau
- D498,156 S 11/2004 Lee
- D499,972 S 12/2004 van de Wiel et al.

*Primary Examiner*—Antoine D. Davis  
(74) *Attorney, Agent, or Firm*—Edwin Tarver; Patel & Alumit, P.C.

(57) **CLAIM**

The ornamental design for a CD case shaped scale, as shown and described.

**DESCRIPTION**

FIG. 1 is a perspective view of the CD case scale according to the new design, with the cover closed.

FIG. 2 is a top perspective view of the scale shown in FIG. 1, with the cover open.

FIG. 3 is a bottom perspective view of the scale shown in FIG. 1, with the cover open.

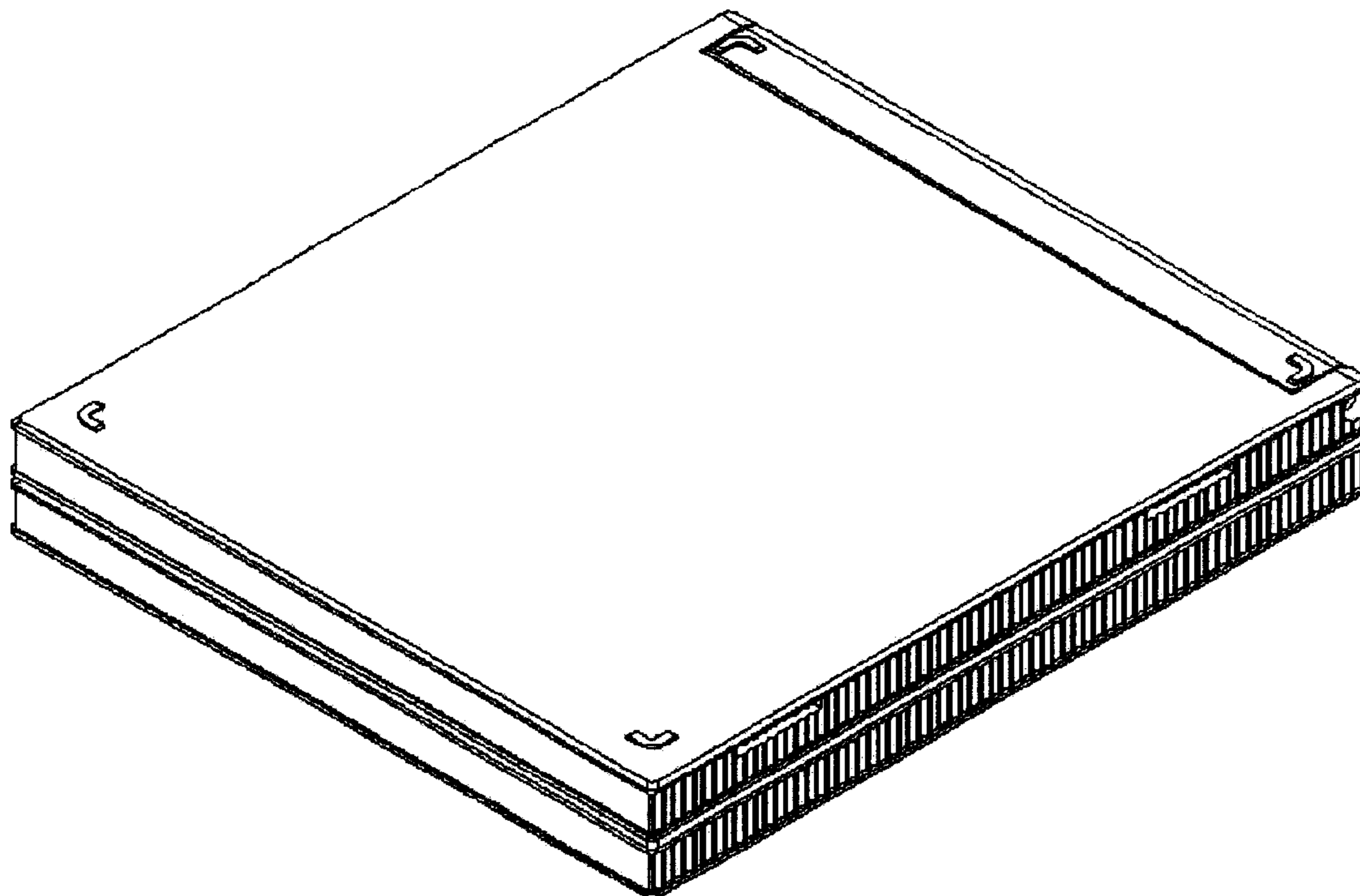
FIG. 4 is a top view of the scale shown in FIG. 1, with the cover closed.

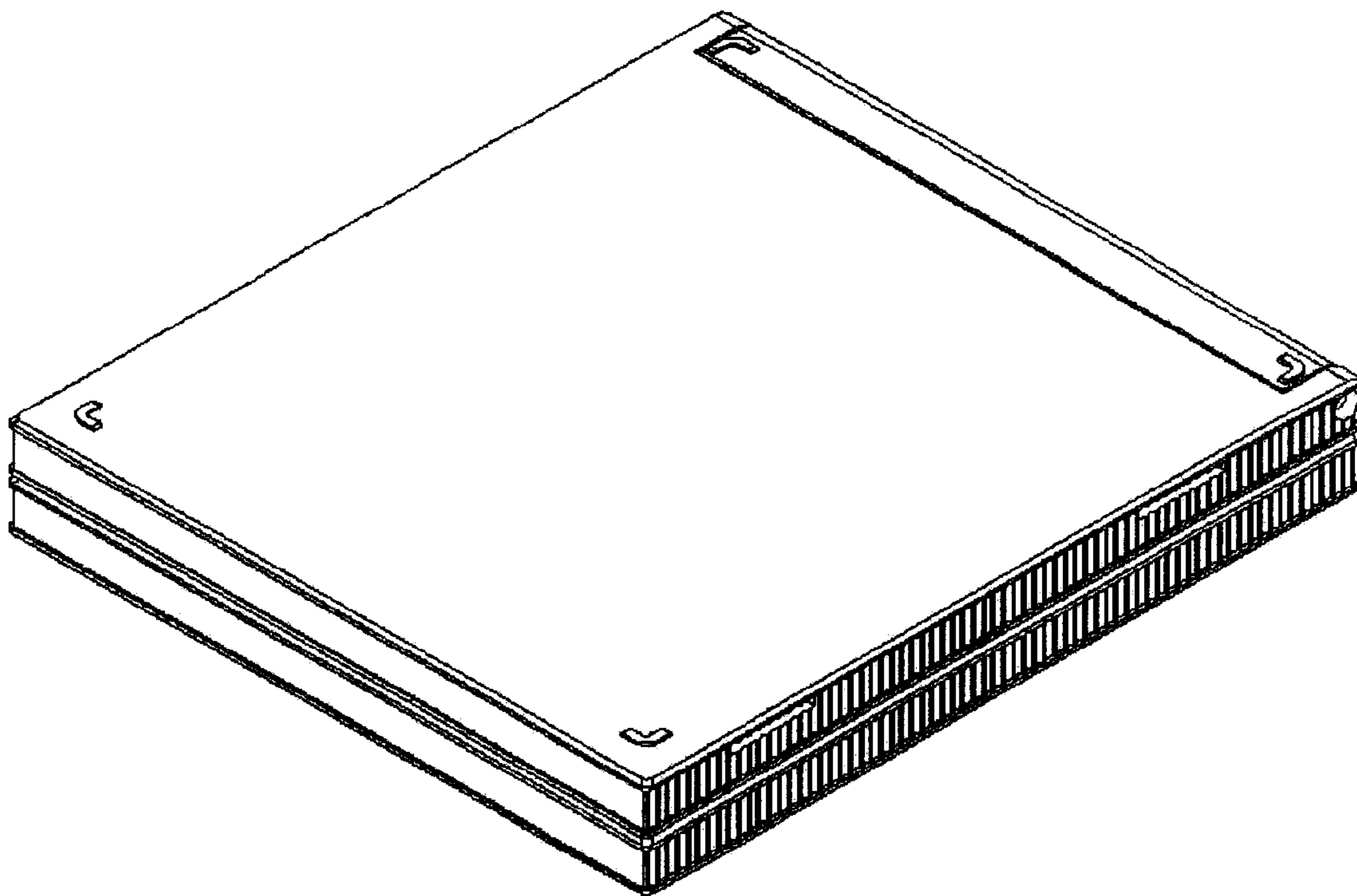
FIG. 5 is a bottom view of the scale shown in FIG. 1, with the cover closed; and,

FIG. 6 is a side view of the scale shown in FIG. 1, with the cover closed.

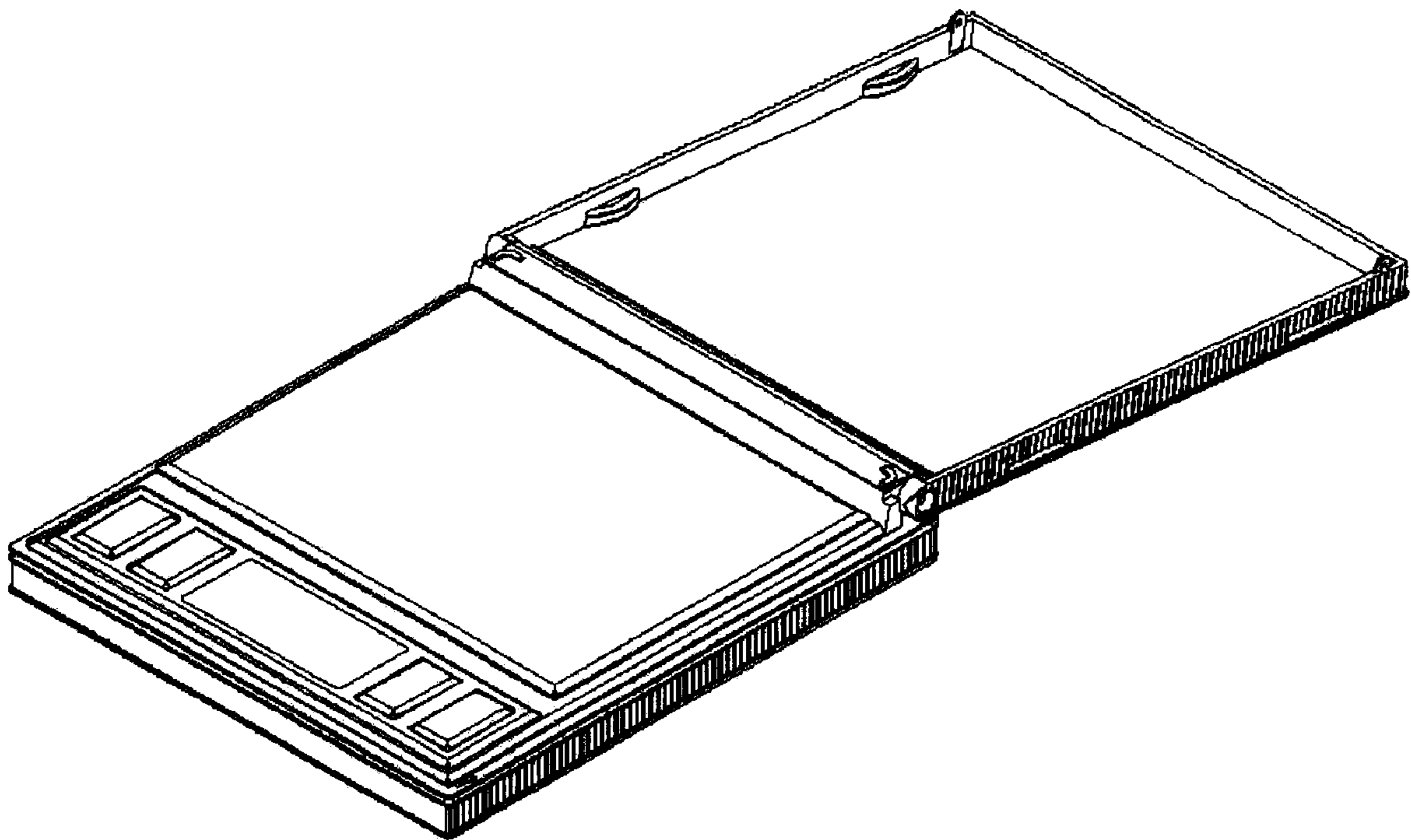
- (56) **References Cited**
- U.S. PATENT DOCUMENTS
- D303,097 S 8/1989 Muller
- D331,543 S 12/1992 Meunier
- D415,438 S 10/1999 Plazonich
- D442,872 S 5/2001 Sato
- D448,691 S 10/2001 Montagnino et al.
- D470,782 S 2/2003 Motomizu
- D490,733 S 6/2004 Stree

**1 Claim, 6 Drawing Sheets**

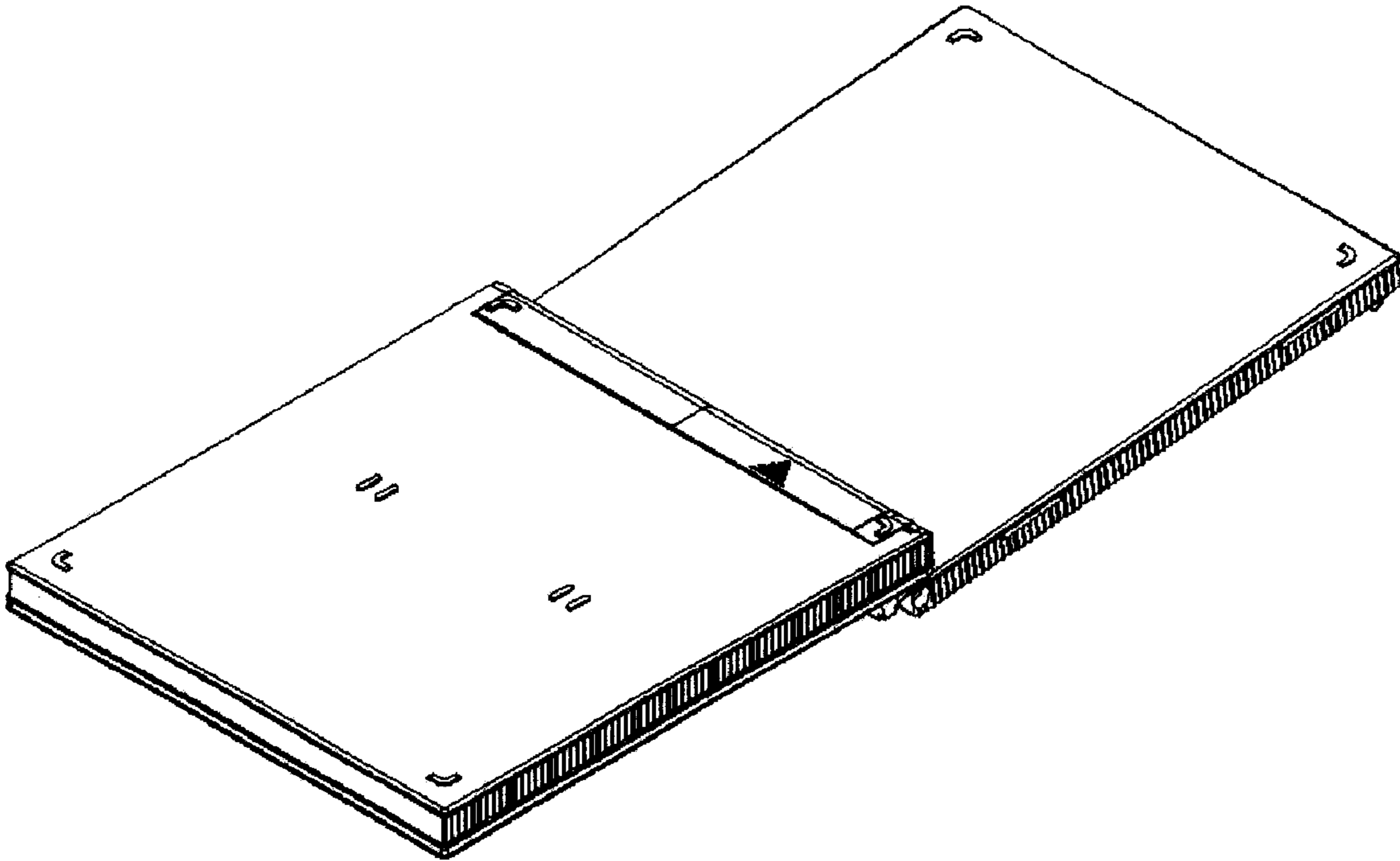




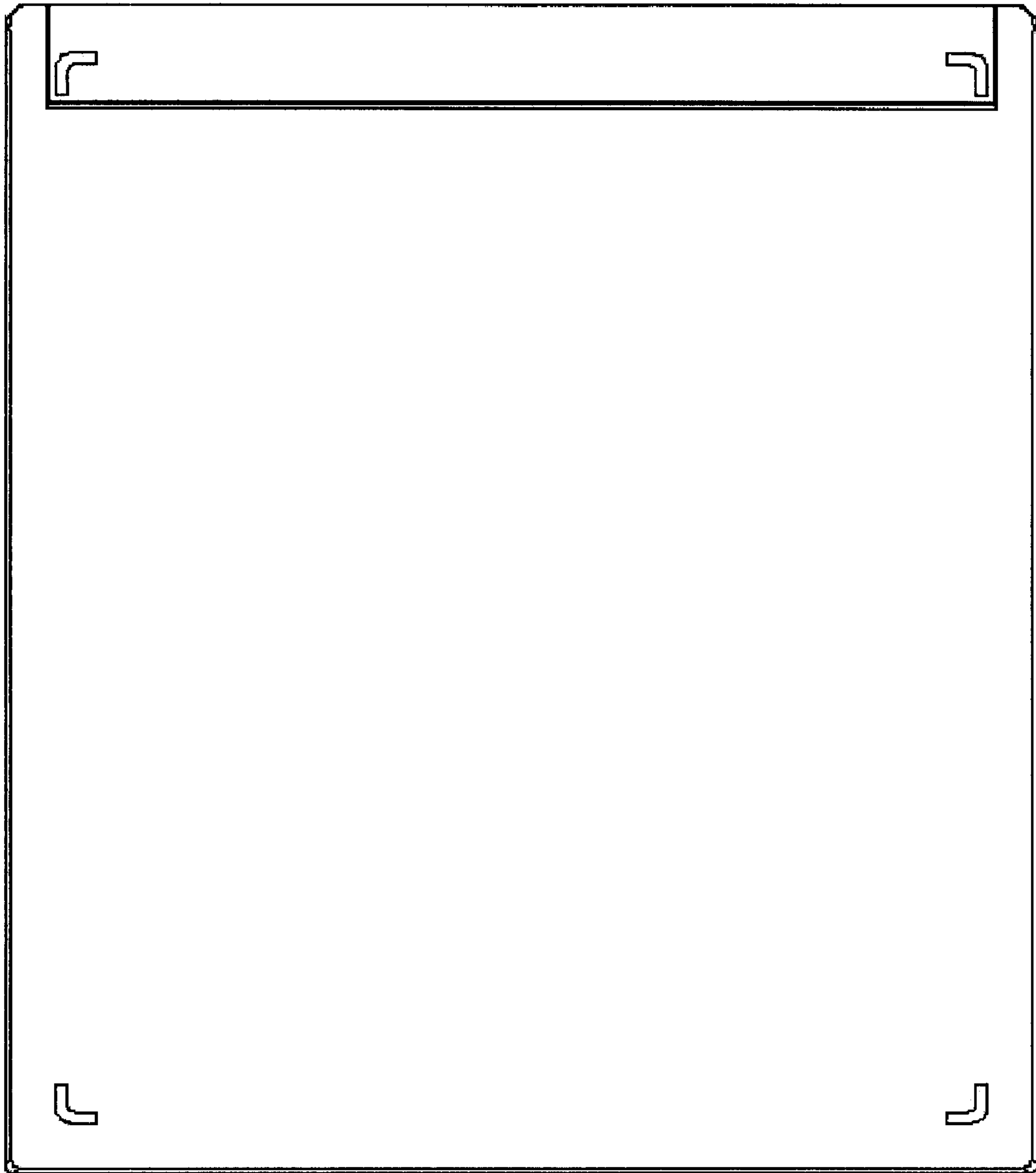
**FIG. 1**



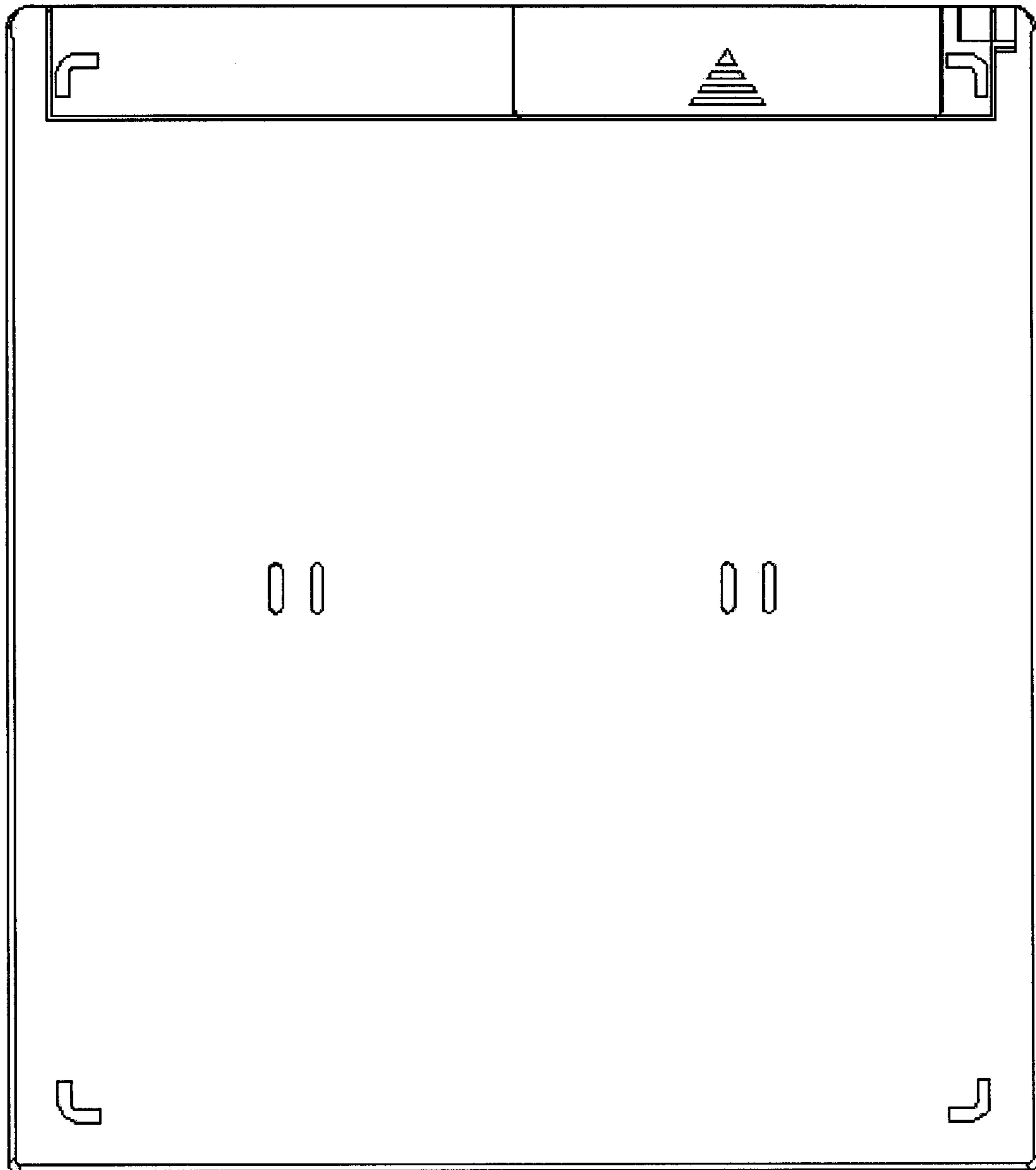
**FIG. 2**



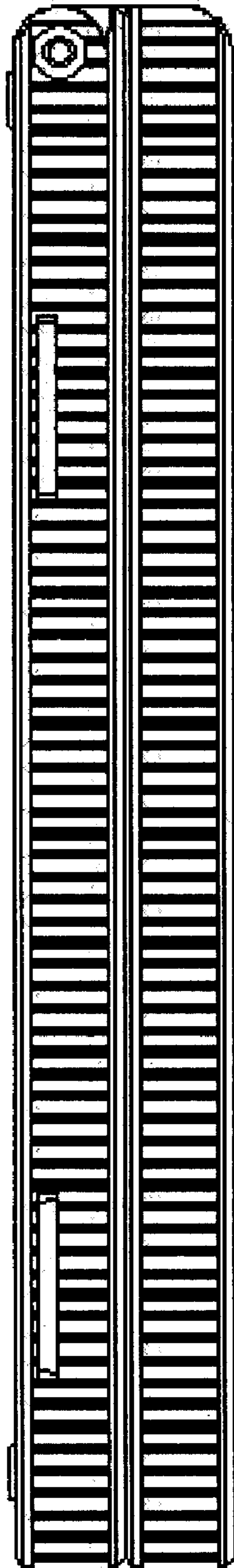
**FIG. 3**



**FIG. 4**



**FIG. 5**



**FIG. 6**