



US00D531071S

(12) **United States Design Patent**  
**Truax**

(10) **Patent No.:** **US D531,071 S**

(45) **Date of Patent:** **\*\* Oct. 31, 2006**

(54) **SURVEY MARKER**

(76) **Inventor:** **Clarence E. Truax**, 520 Fairground Rd., Taylorsville, KY (US) 40071

(\*\*) **Term:** **14 Years**

(21) **Appl. No.:** **29/225,480**

(22) **Filed:** **Mar. 17, 2005**

(51) **LOC (8) Cl.** ..... **10-04**

(52) **U.S. Cl.** ..... **D10/66**

(58) **Field of Classification Search** ..... D10/66,

D10/69, 74, 109; 52/103; 116/209

See application file for complete search history.

(56) **References Cited**

**U.S. PATENT DOCUMENTS**

191,919 A	6/1877	Bonner	
427,394 A	5/1890	Brown	
1,219,454 A	5/1917	Hanson et al.	
1,558,078 A	10/1925	Darby	
2,154,966 A	4/1939	Vanderveer	
2,181,032 A	11/1939	Watkins	
3,205,626 A	9/1965	Attenberger	
3,321,834 A	5/1967	Burns	
3,503,163 A	3/1970	Lutz	
3,662,436 A	5/1972	Roza	
3,685,237 A	8/1972	Johnson	
3,709,188 A	1/1973	Coupar	
3,824,748 A	7/1974	Pichowicz	
D246,513 S	11/1977	Garneau	
4,127,972 A	12/1978	Reimoser	
4,185,424 A	1/1980	Streit	
4,254,597 A *	3/1981	Feldman et al.	52/103
4,441,288 A *	4/1984	Feldman et al.	52/103
4,502,258 A *	3/1985	Rushing	52/103
4,625,473 A *	12/1986	Peterson et al.	52/103
4,738,060 A	4/1988	Marthaler et al.	
4,741,701 A	5/1988	Kossor	
4,970,795 A	11/1990	Woodward et al.	

5,148,641 A *	9/1992	Rushing et al.	52/103
5,291,703 A	3/1994	Ziegler	
D394,221 S	5/1998	Truax	
D395,251 S *	6/1998	Truax	D10/66
D395,608 S	6/1998	Truax	
D395,610 S *	6/1998	Truax	D10/66
D399,158 S	10/1998	Truax	
D402,908 S	12/1998	Machen et al.	
D424,960 S	5/2000	Greene et al.	
D437,246 S	2/2001	Nelson	
D457,085 S *	5/2002	Truax	D10/109
6,578,512 B1	6/2003	Truax	

\* cited by examiner

*Primary Examiner*—Antoine D. Davis

(74) *Attorney, Agent, or Firm*—Carrithers Law Office PLLC; David W. Carrithers

(57) **CLAIM**

The ornamental design for a survey marker, as shown and described.

**DESCRIPTION**

FIG. 1 is a perspective top view of a survey marker showing my new design for a survey marker head and showing the rod in phantom lines;

FIG. 2 is a perspective bottom view thereof shown with phantom lines depicting the rod portion;

FIG. 3 is a perspective side view thereof showing the rod and aperture in phantom lines;

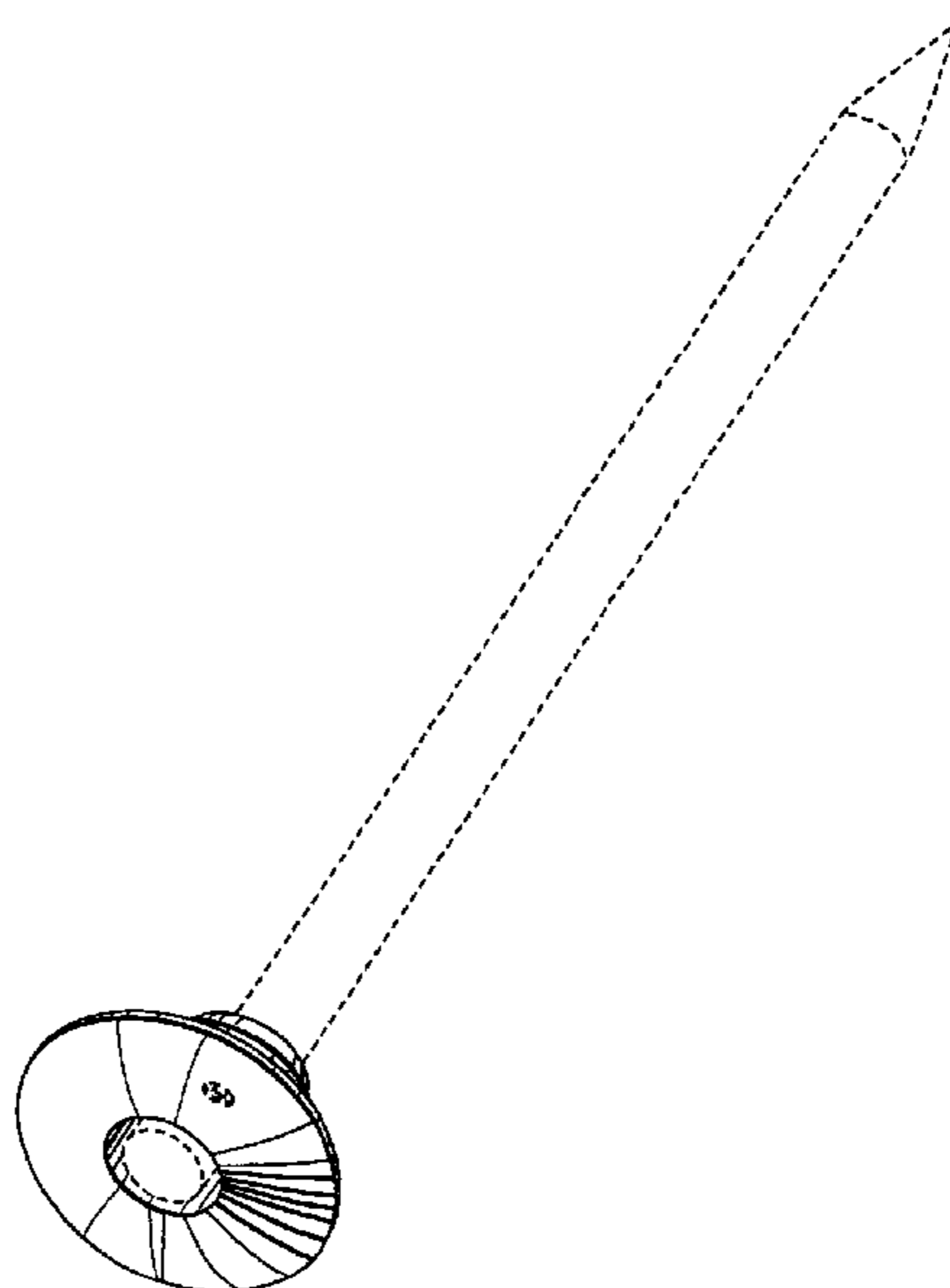
FIG. 4 is a perspective side view thereof showing the rod in phantom view;

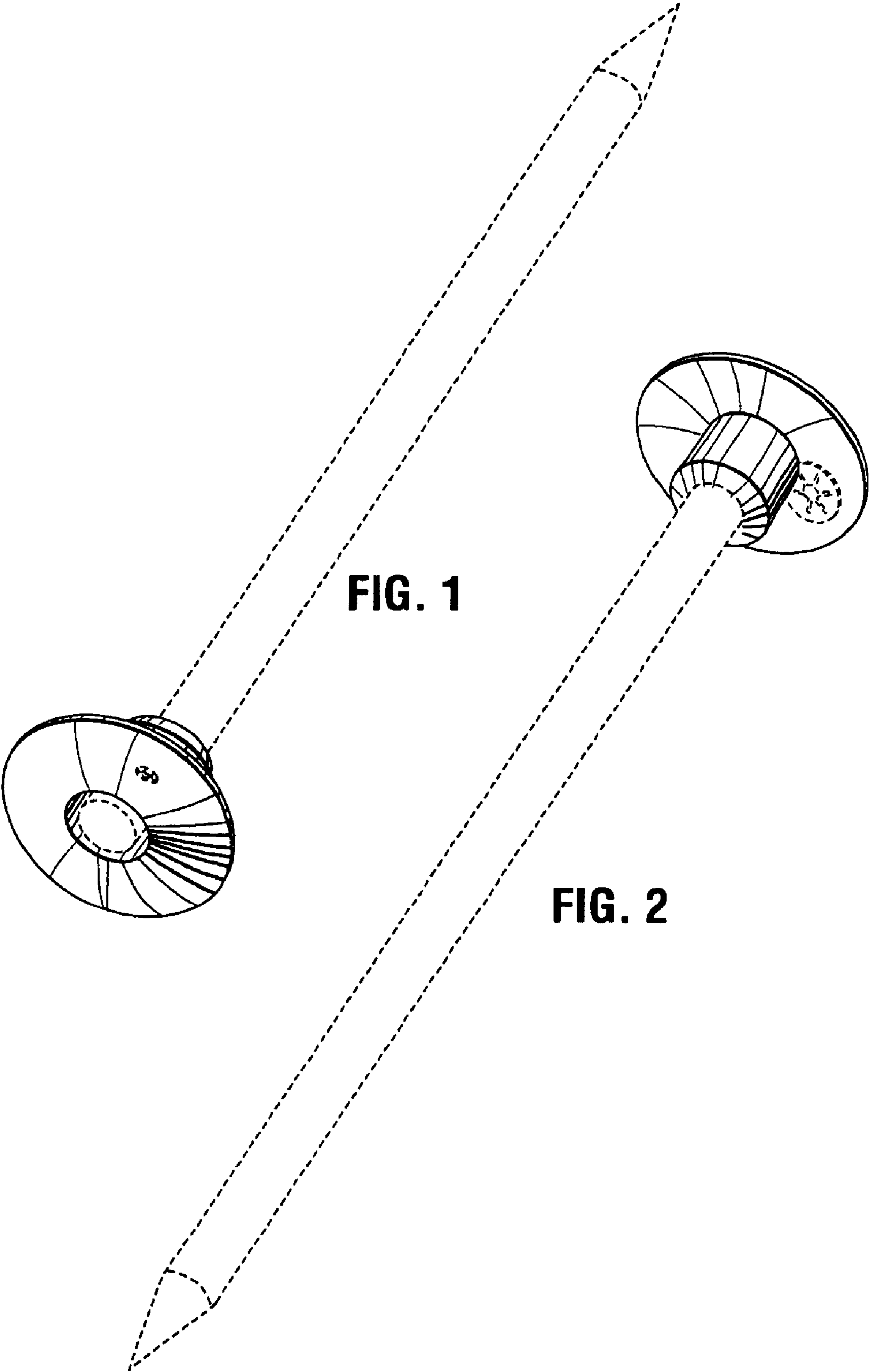
FIG. 5 is a top view showing the rod in phantom lines; and,

FIG. 6 is a bottom view showing the head and collar portion of the survey marker and showing the rod and apertures in phantom lines.

The broken lines showing the body of the landscape light and base are for illustrative purposes only and form no part of the claimed design.

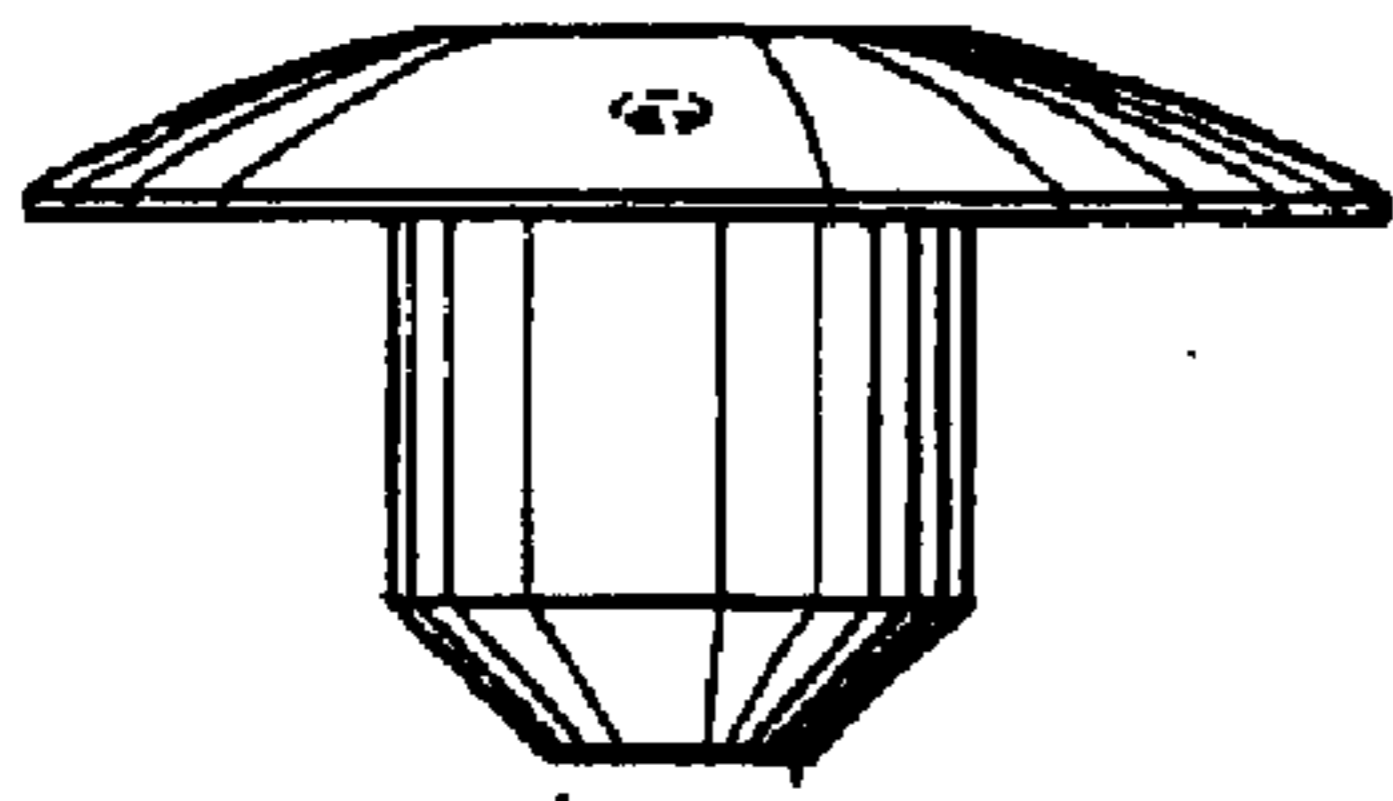
**1 Claim, 2 Drawing Sheets**



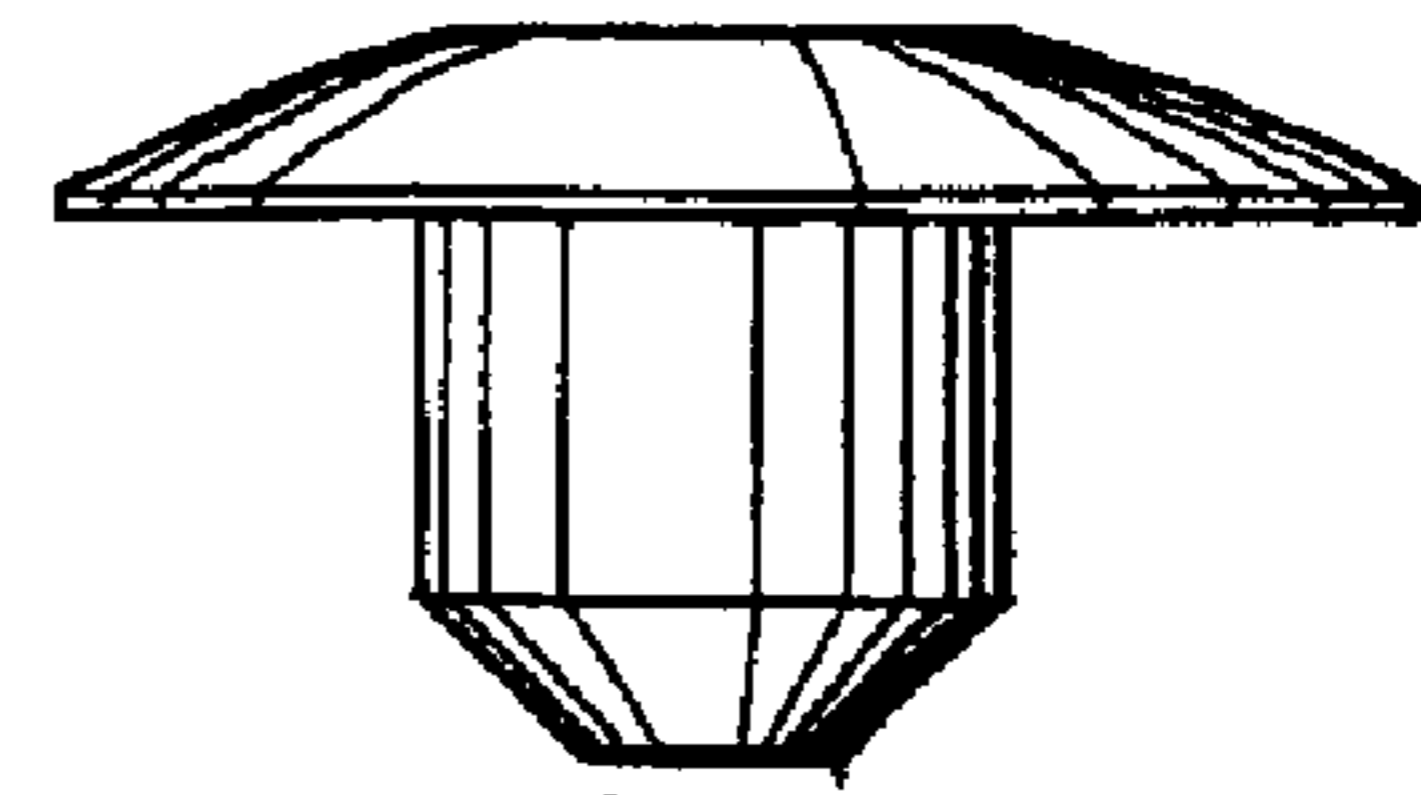


**FIG. 1**

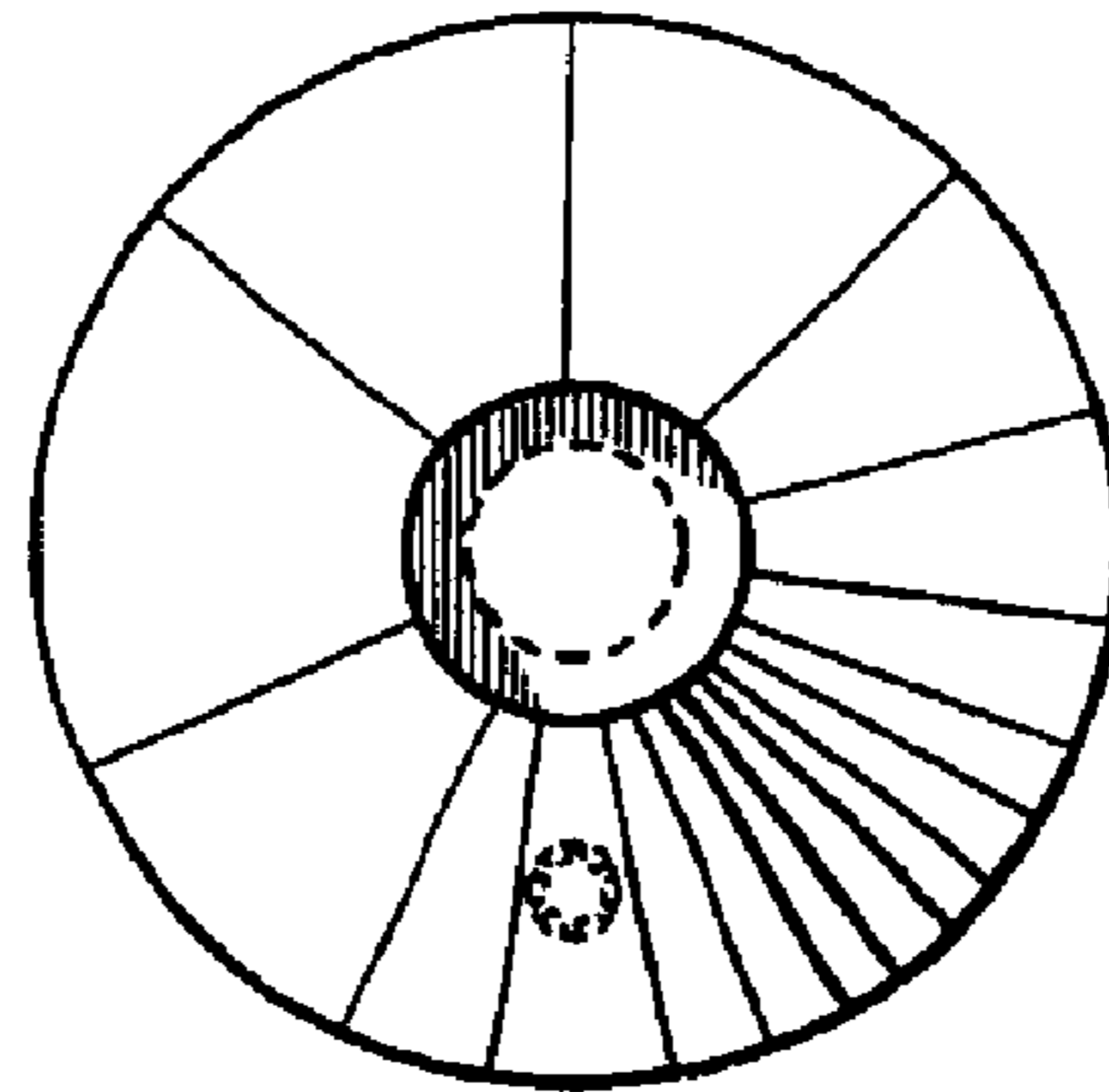
**FIG. 2**



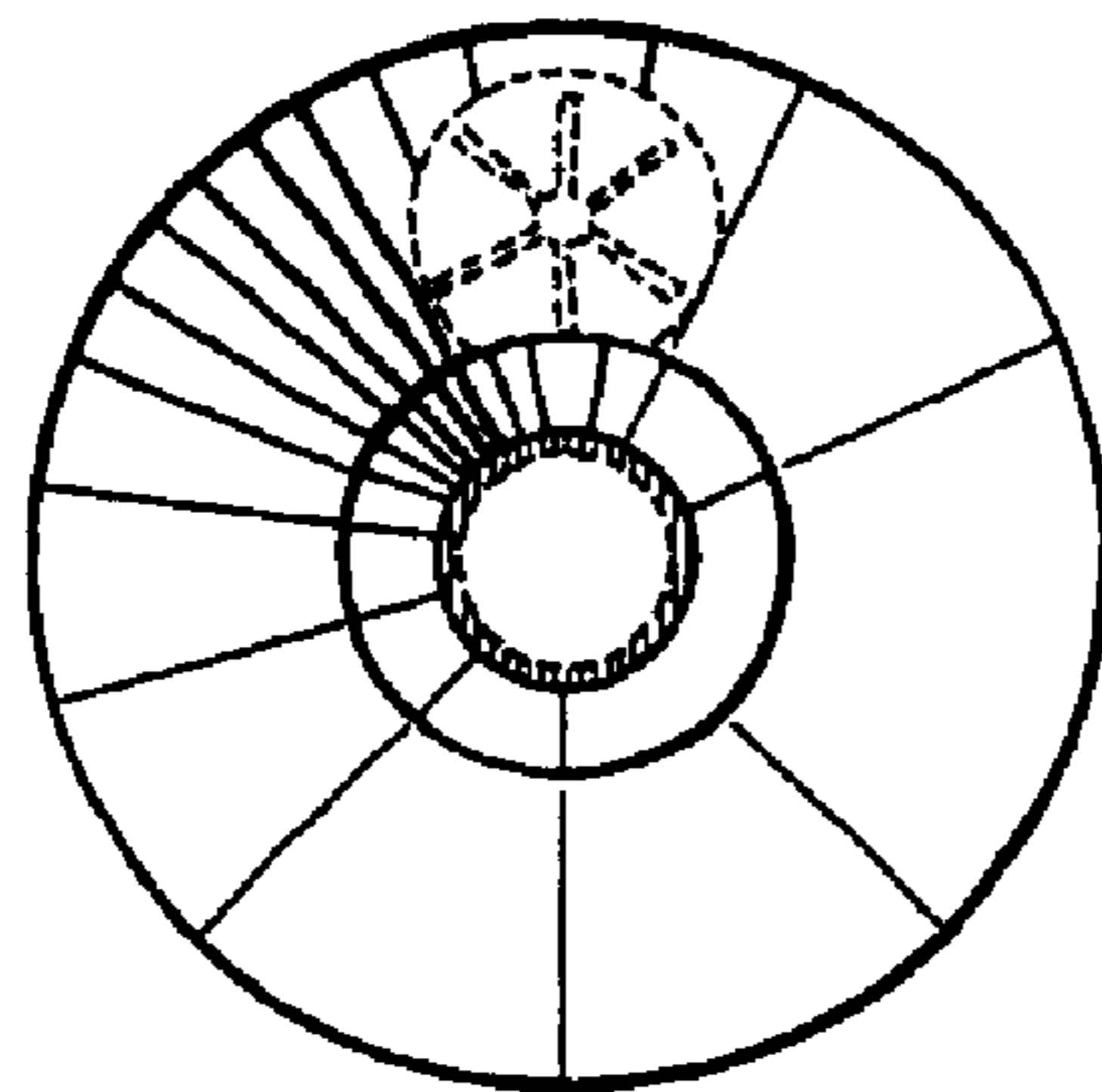
**FIG. 3**



**FIG. 4**



**FIG. 5**



**FIG. 6**