



US00D531068S

(12) **United States Design Patent**
Fan

(10) **Patent No.:** **US D531,068 S**

(45) **Date of Patent:** **** Oct. 31, 2006**

(54) **SATELLITE LOCATOR**

(75) Inventor: **Cheng-Kuei Fan**, Sinjhuang (TW)

(73) Assignee: **Lite-On Technology Corporation**,
Taipei (TW)

(**) Term: **14 Years**

(21) Appl. No.: **29/251,403**

(22) Filed: **Jan. 9, 2006**

(51) **LOC (8) Cl.** **10-04**

(52) **U.S. Cl.** **D10/65**

(58) **Field of Classification Search** D10/65,
D10/70; 340/539.13, 995.1; 342/357.13,
342/357.06–357.09, 357.1; 343/702; 455/566,
455/575.1, 150.1, 151.3, 90.1, 12.1, 456.1
See application file for complete search history.

(56) **References Cited**

U.S. PATENT DOCUMENTS

D366,220 S *	1/1996	Sakamoto	D10/65
6,418,309 B1 *	7/2002	Moon et al.	455/418
6,501,429 B1 *	12/2002	Nakamura et al.	343/702
D469,367 S *	1/2003	Mirabelli et al.	D10/65
6,781,551 B1 *	8/2004	Gerber	343/702
6,876,871 B1 *	4/2005	Hirayama et al.	455/566
6,912,463 B1 *	6/2005	Miwa	701/213
D506,937 S *	7/2005	Lee et al.	D10/65
D508,213 S *	8/2005	Silzer et al.	D10/65

D509,760 S *	9/2005	Burrell et al.	D10/65
6,977,617 B1 *	12/2005	Asano et al.	343/702
D515,441 S *	2/2006	Shindo	D10/65
D517,932 S *	3/2006	Lum	D10/65
7,054,670 B1 *	5/2006	Wang et al.	455/566

* cited by examiner

Primary Examiner—Antoine D. Davis

(74) *Attorney, Agent, or Firm*—Birch, Stewart, Kolasch and Birch, LLP

(57) **CLAIM**

The ornamental design for a “satellite locator,” as shown and described.

DESCRIPTION

FIG. 1 is a perspective view of a “satellite locator” showing my new design;

FIG. 2 is a front view thereof;

FIG. 3 is a rear view thereof;

FIG. 4 is a left side view thereof;

FIG. 5 is a right side view thereof;

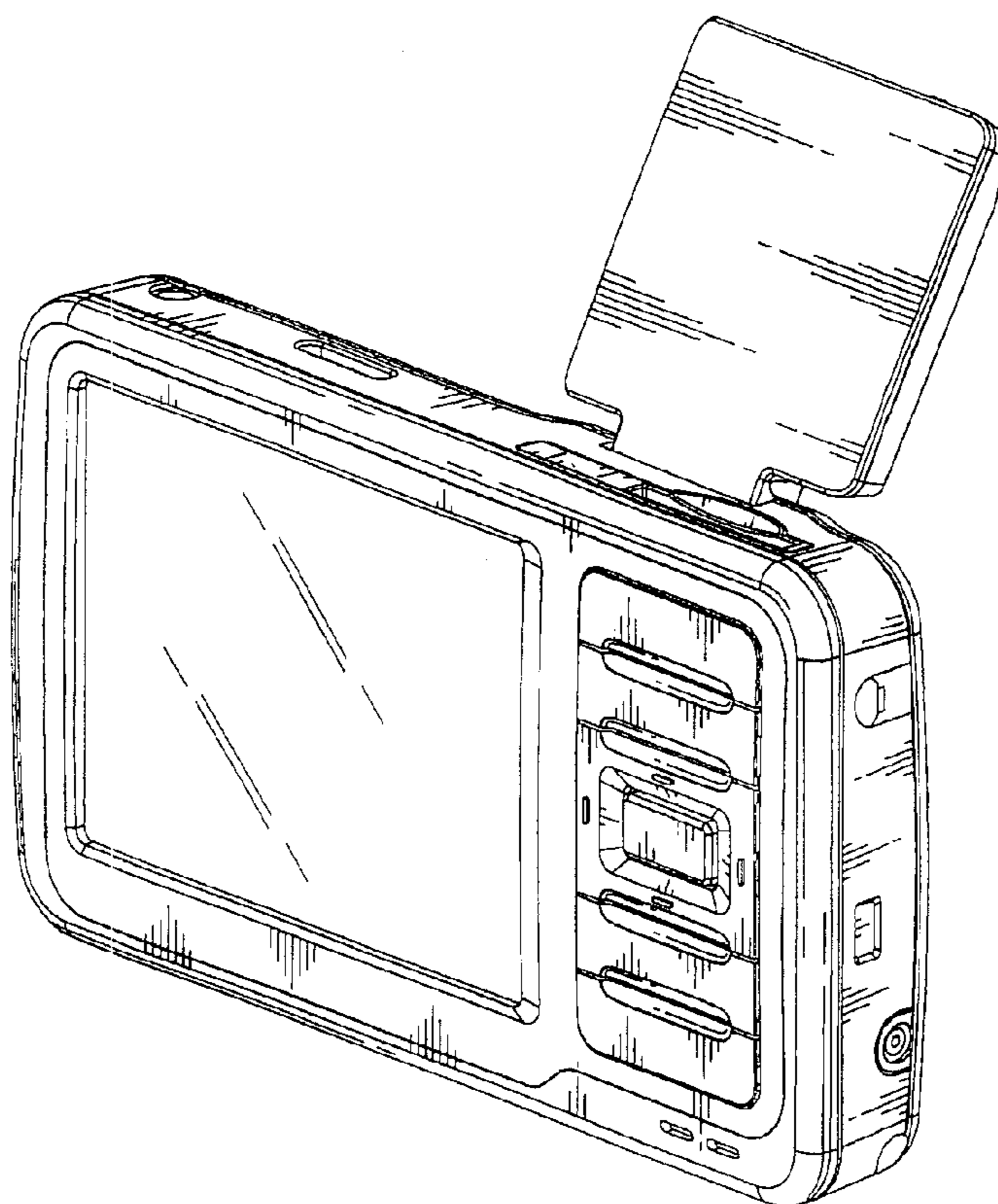
FIG. 6 is a top view thereof;

FIG. 7 is a bottom view thereof;

FIG. 8 is another perspective view of the present invention; and,

FIG. 9 is a perspective view of the present invention, showing an antennal module thereof being in a closed position.

1 Claim, 6 Drawing Sheets



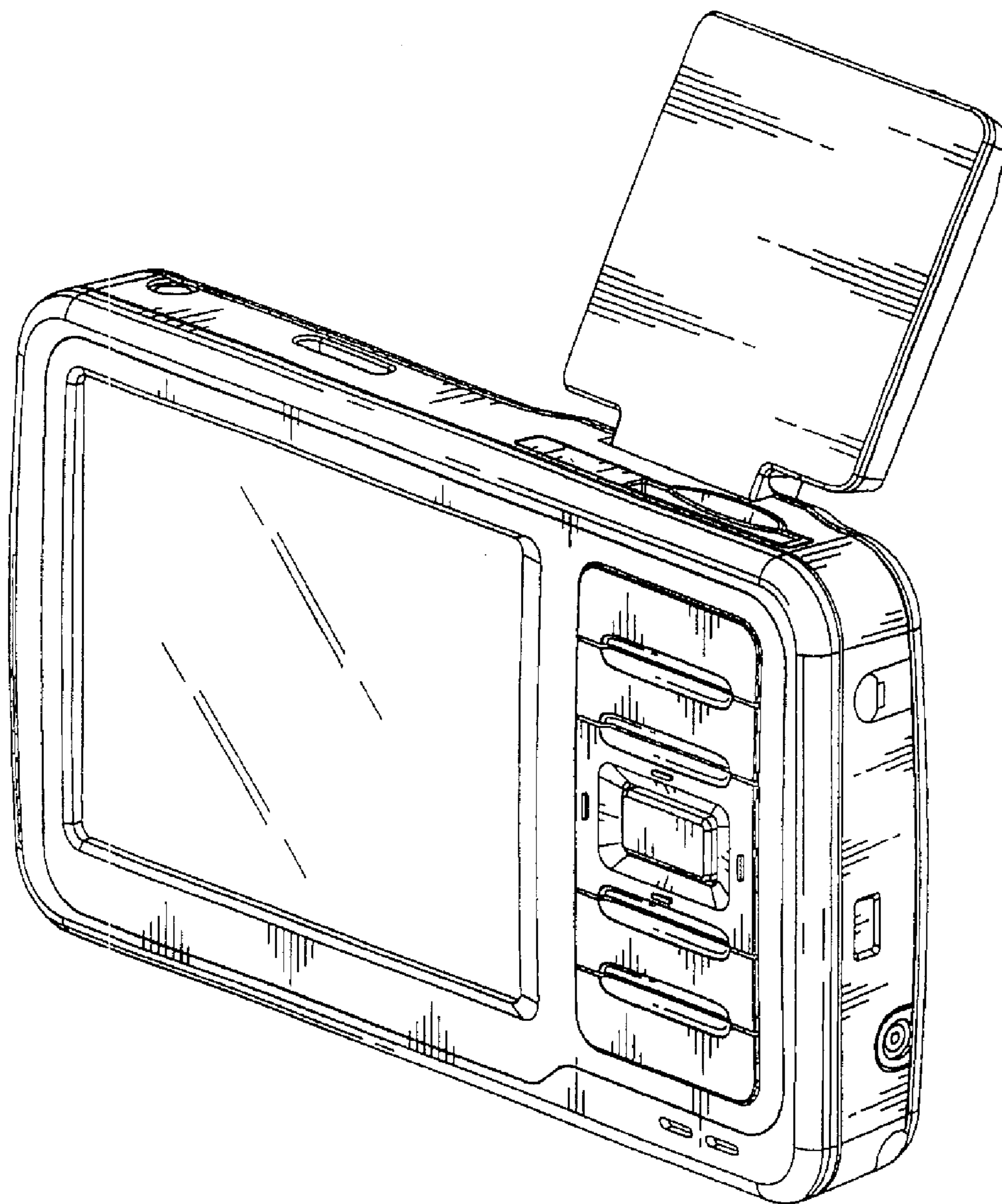


FIG. 1

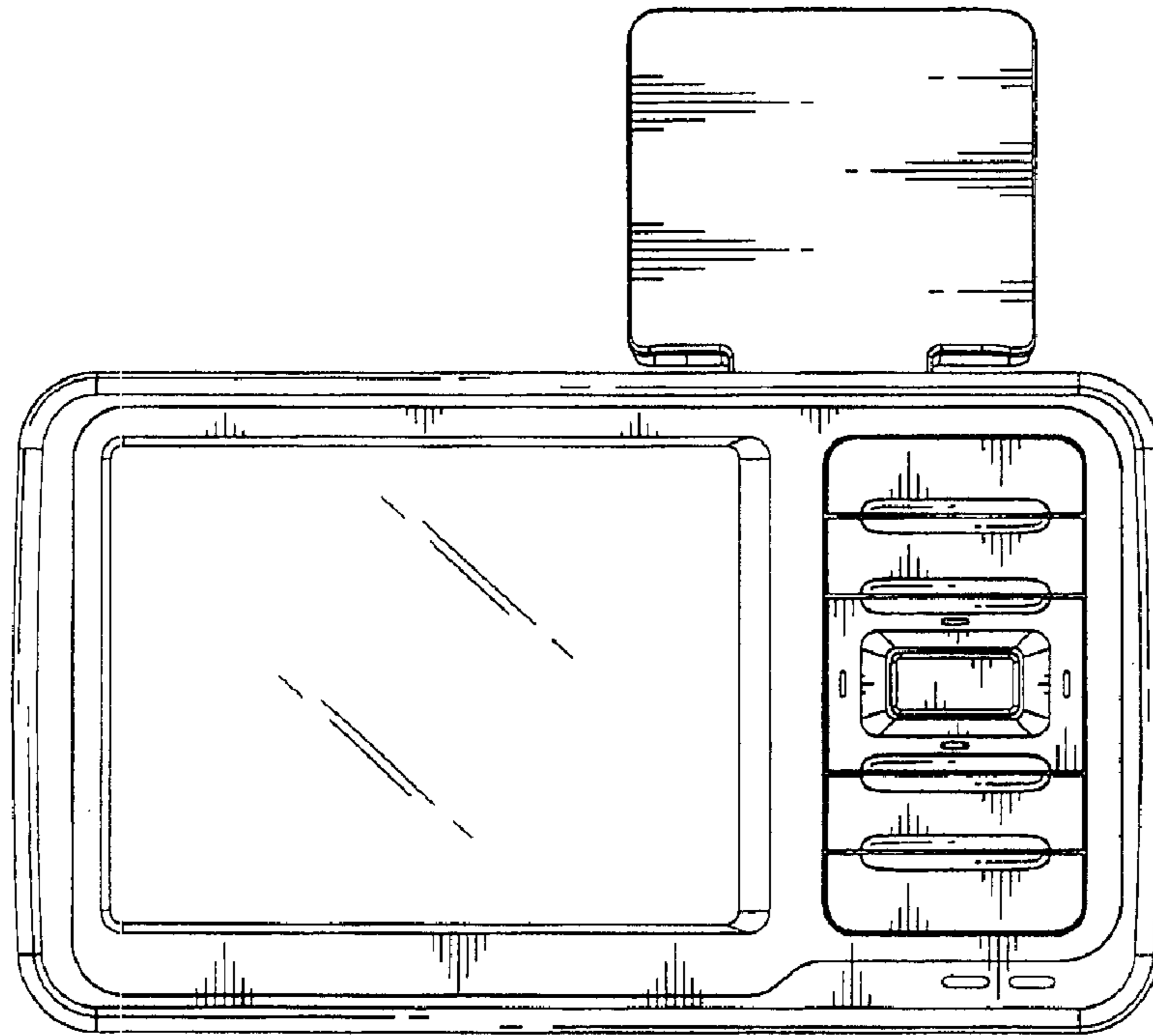


FIG. 2

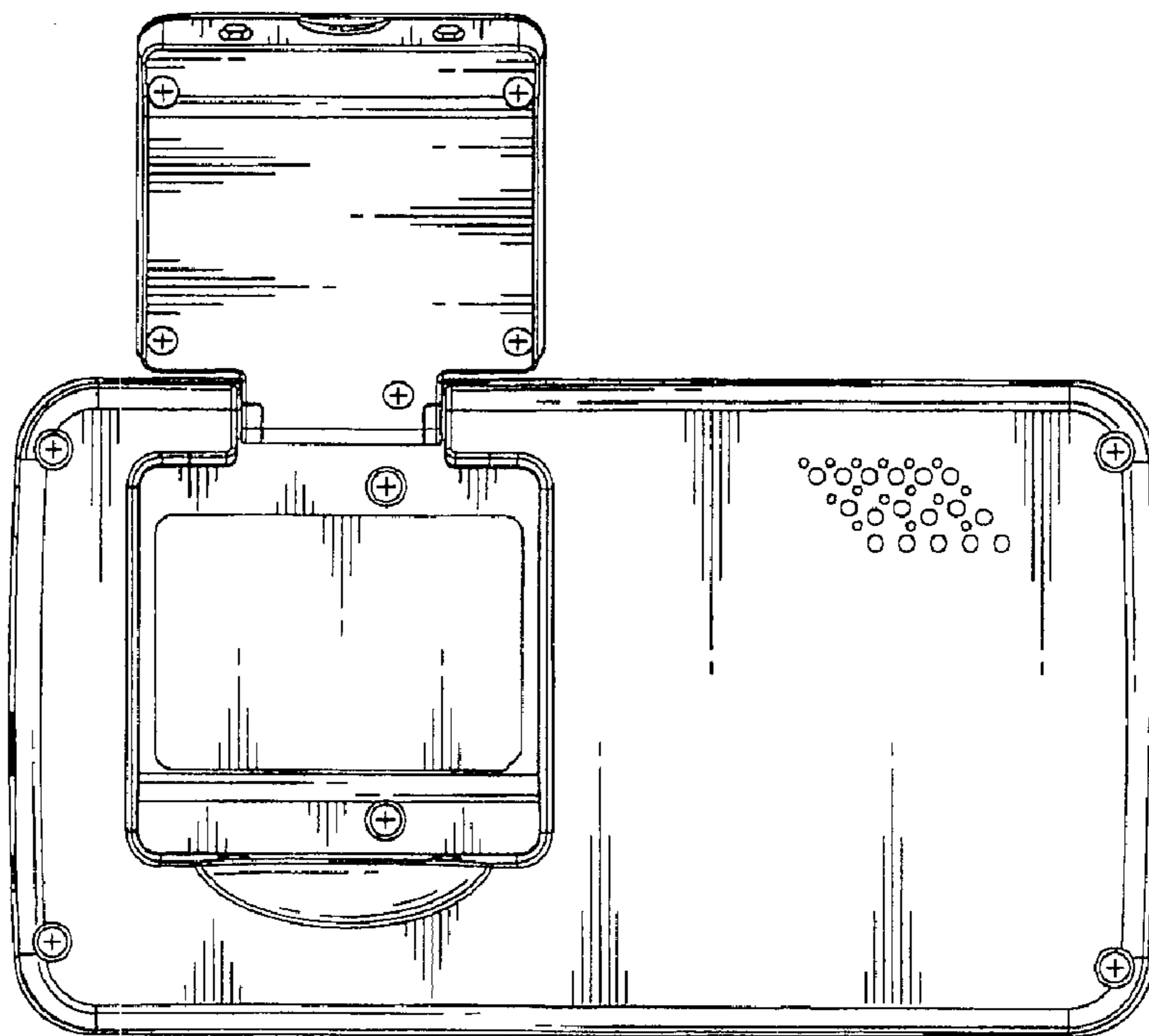


FIG. 3

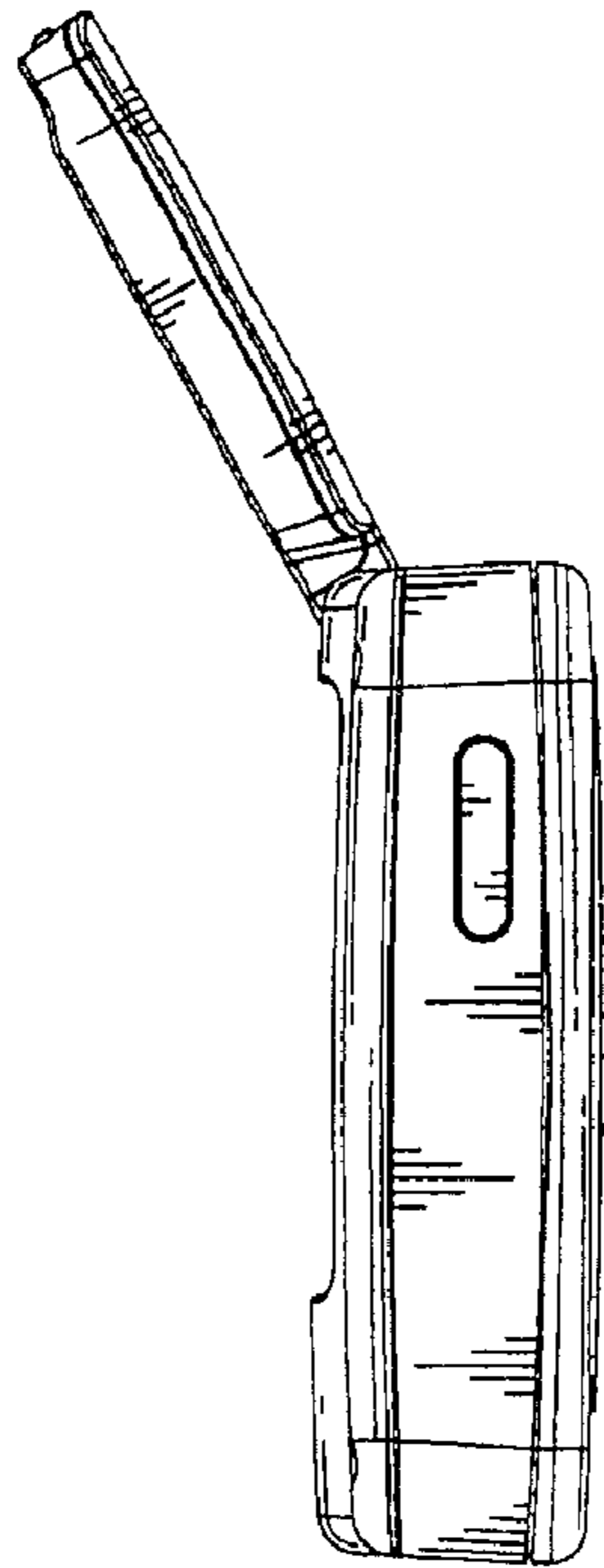


FIG. 4

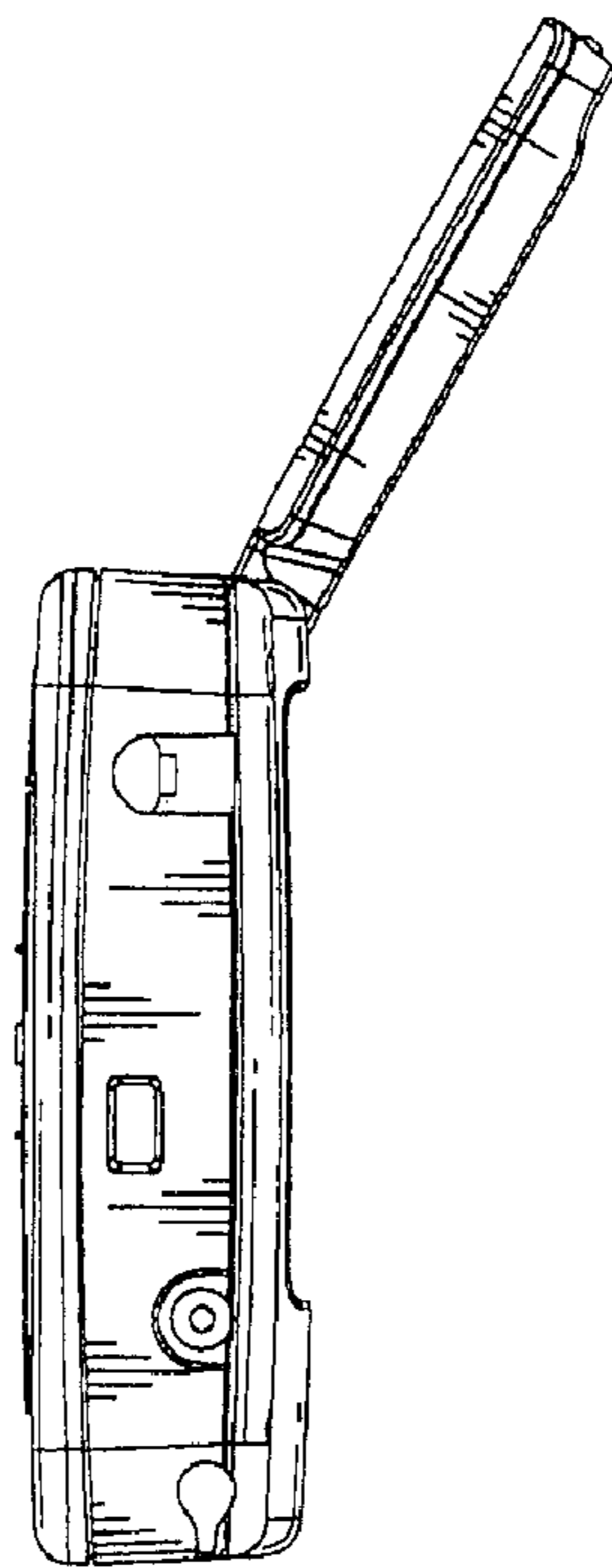


FIG. 5

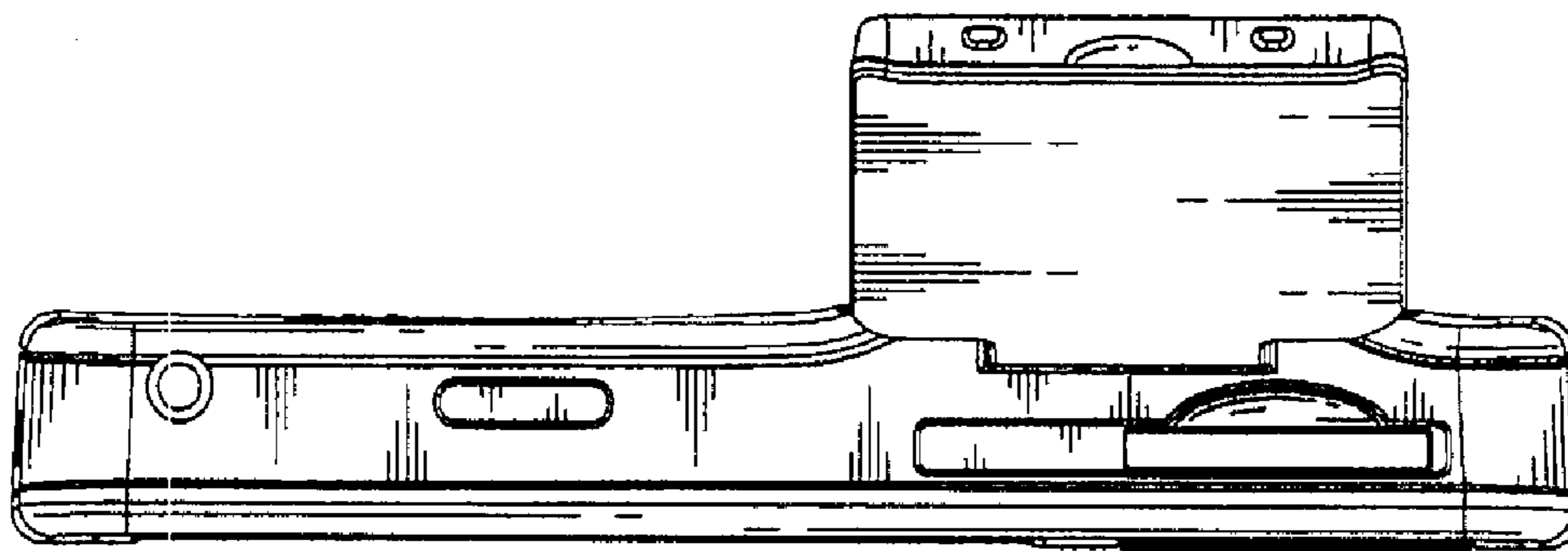


FIG. 6

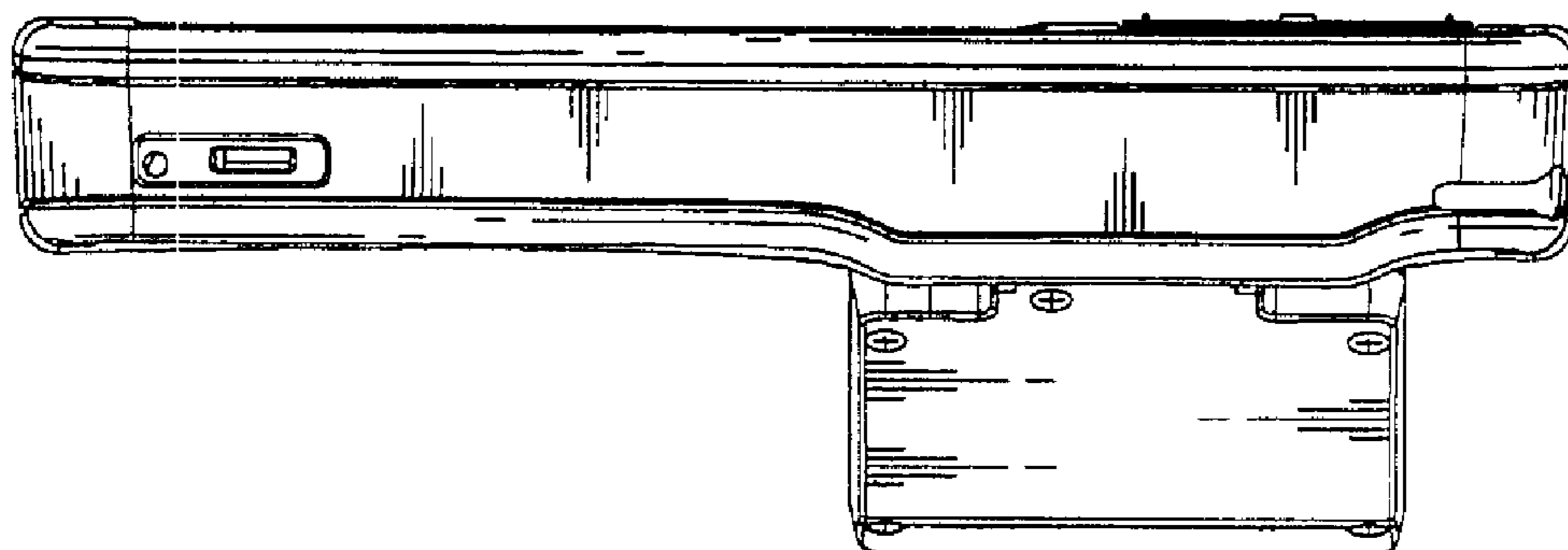


FIG. 7

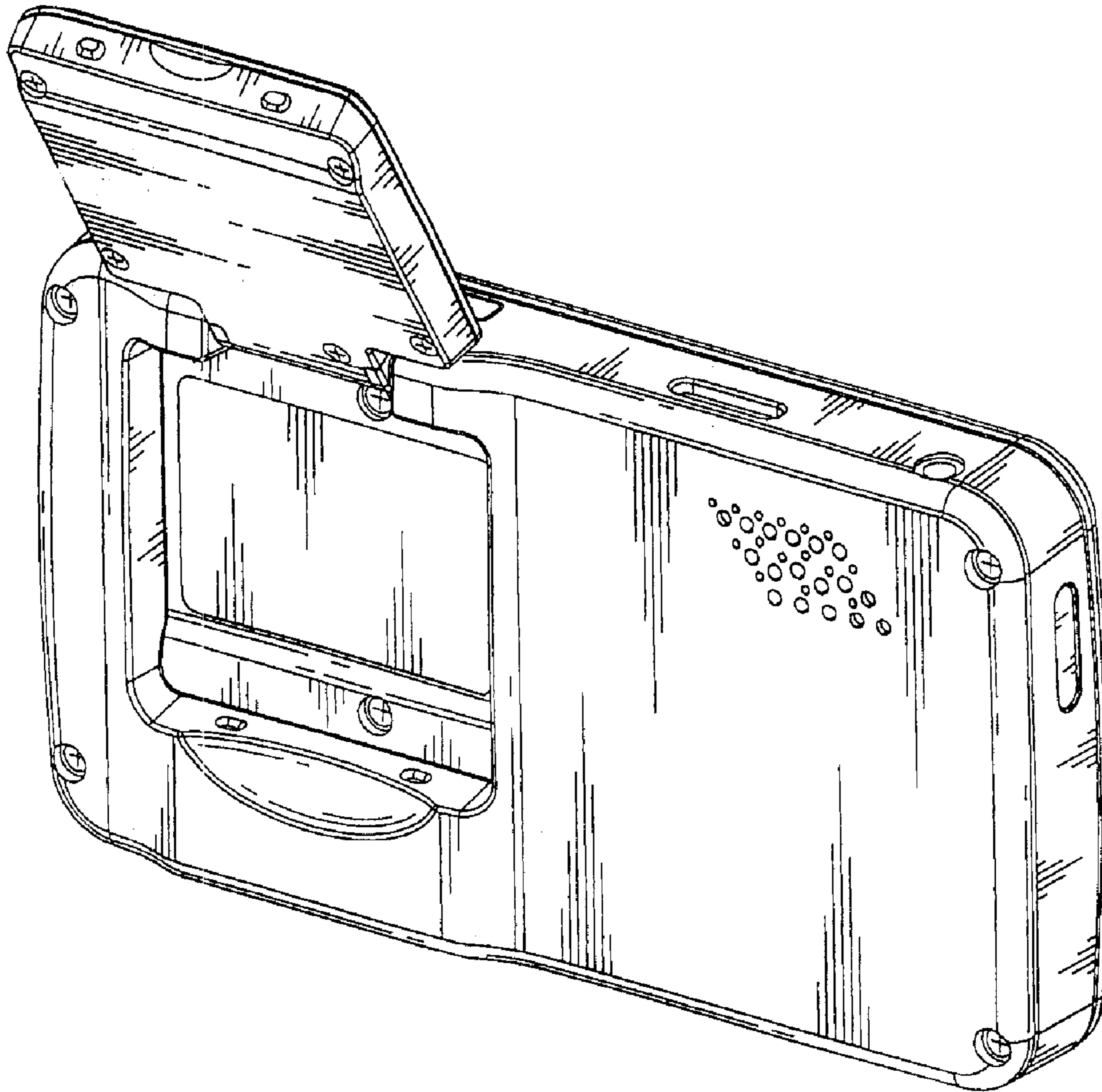


FIG. 8

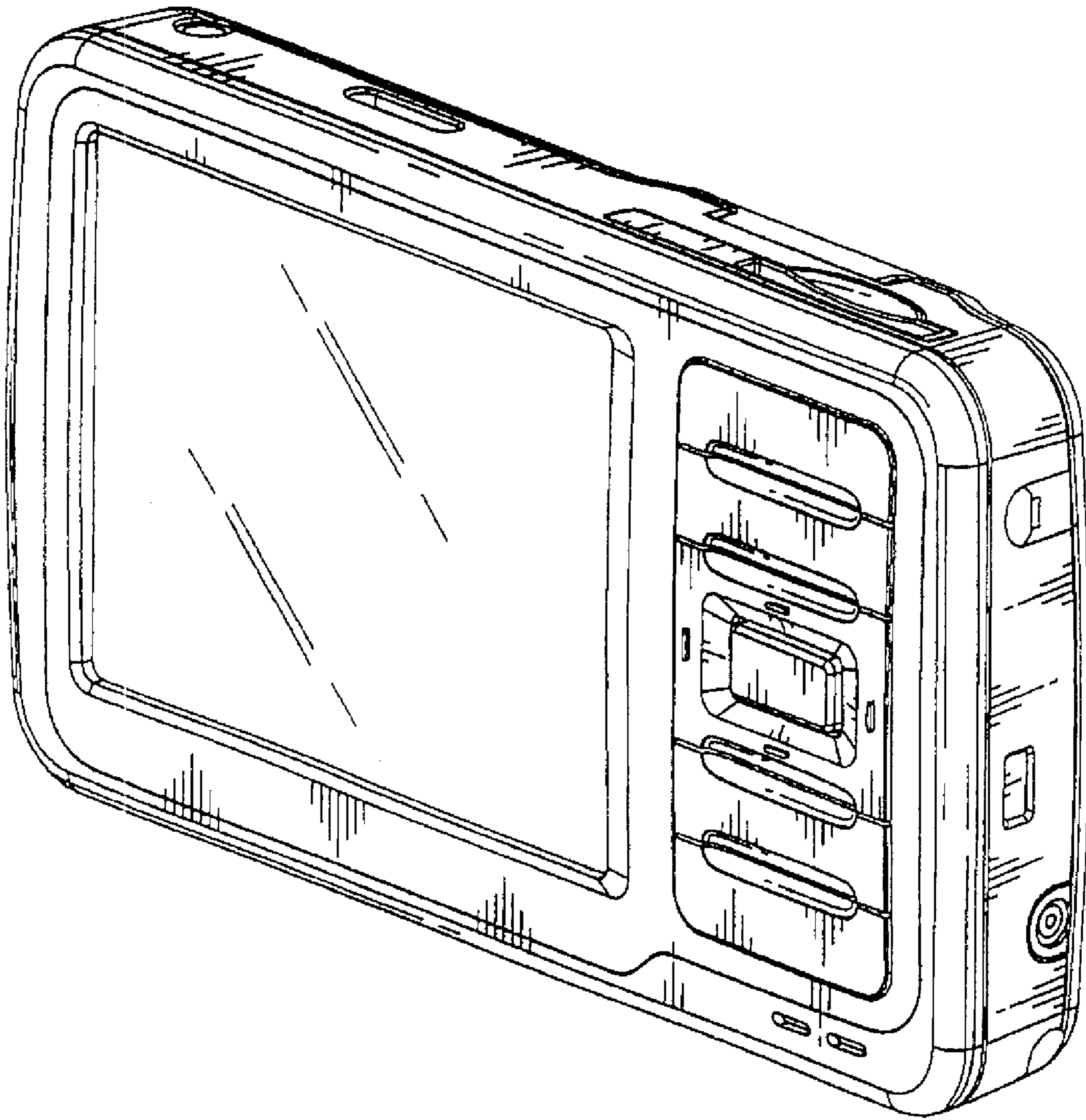


FIG. 9