



US00D531062S

(12) **United States Design Patent**  
**Bhavnani**

(10) **Patent No.:** **US D531,062 S**

(45) **Date of Patent:** **\*\* Oct. 31, 2006**

(54) **CLOCK WITH OVERSIZED DIAL**

(75) Inventor: **Dilip Bhavnani**, Beverly Hills, CA  
(US)

(73) Assignee: **Sun Coast Merchandise Corporation**,  
Commerce, CA (US)

(\*\*) Term: **14 Years**

(21) Appl. No.: **29/256,053**

(22) Filed: **Mar. 14, 2006**

(51) **LOC (8) Cl.** ..... **10-01**

(52) **U.S. Cl.** ..... **D10/23**

(58) **Field of Classification Search** ..... D10/1-29;  
368/276, 285, 316, 317, 278, 10, 79, 239-242,  
368/82-84, 277

See application file for complete search history.

(56) **References Cited**

**U.S. PATENT DOCUMENTS**

1,925,437	A	*	9/1933	Drake	.....	368/316
D201,452	S	*	6/1965	Shipley	.....	D10/26
D223,271	S	*	4/1972	Cheslock	.....	D10/28
D253,522	S	*	11/1979	Rutenberg	.....	D10/22

D279,268	S	*	6/1985	Henkels	.....	D10/26
D279,764	S	*	7/1985	Rhoades	.....	D10/23
D309,572	S	*	7/1990	Suzuki	.....	D10/18
D319,023	S	*	8/1991	Kato et al.	.....	D10/28
D319,589	S	*	9/1991	Unruh et al.	.....	D10/23
D381,917	S	*	8/1997	McCue et al.	.....	D10/6
D394,814	S	*	6/1998	Chen	.....	D10/2
D404,314	S	*	1/1999	Caraballo	.....	D10/6

\* cited by examiner

*Primary Examiner*—Lucy Lieberman

(74) *Attorney, Agent, or Firm*—The Soni Law Firm

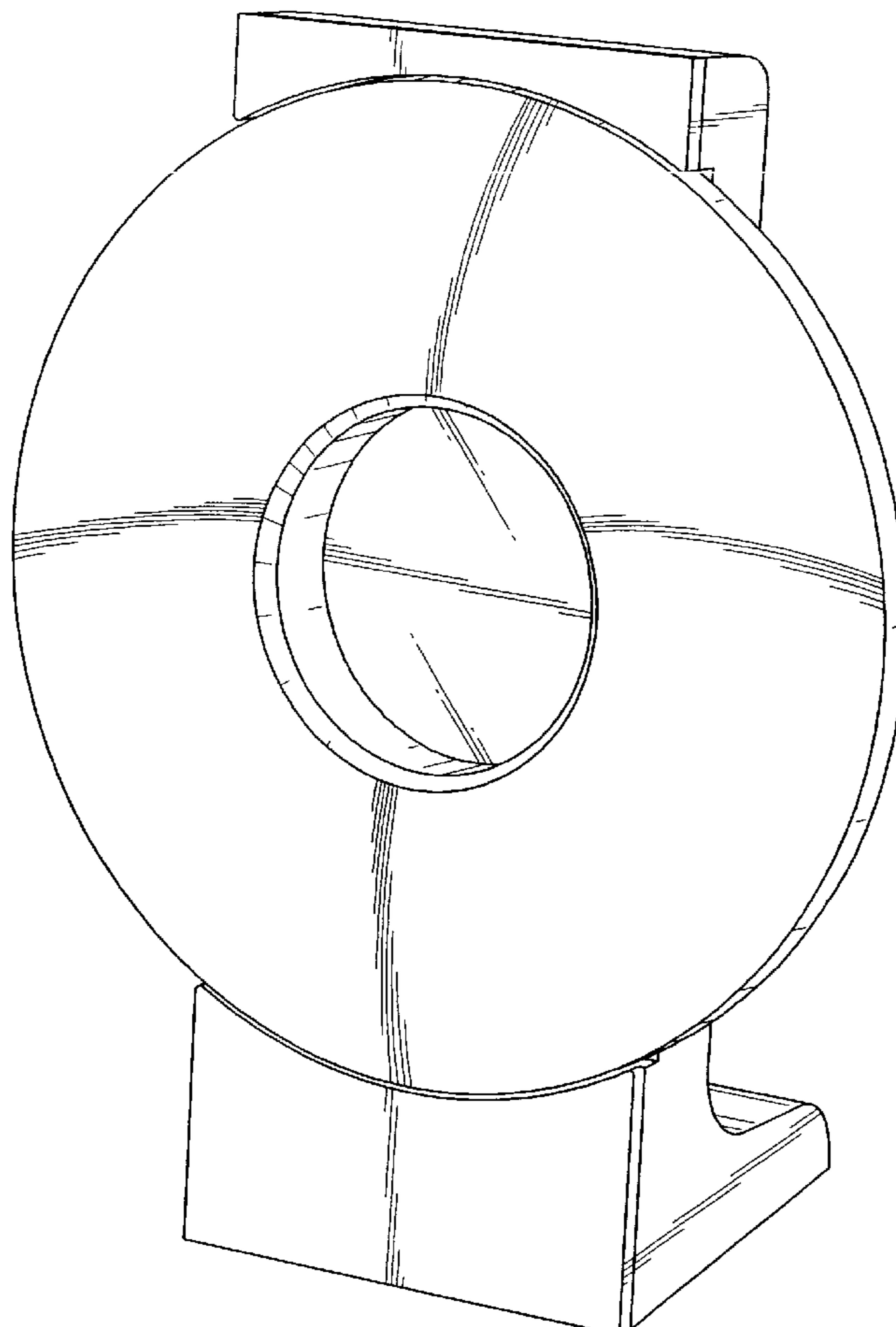
(57) **CLAIM**

The ornamental design for a clock with oversized dial, as shown and described.

**DESCRIPTION**

FIG. 1 is a front side perspective view thereof;  
FIG. 2 is a front elevational view thereof;  
FIG. 3 is a top plan view thereof;  
FIG. 4 is a side elevational view thereof;  
FIG. 5 is a bottom plan view thereof; and,  
FIG. 6 is a back elevational view thereof.

**1 Claim, 3 Drawing Sheets**



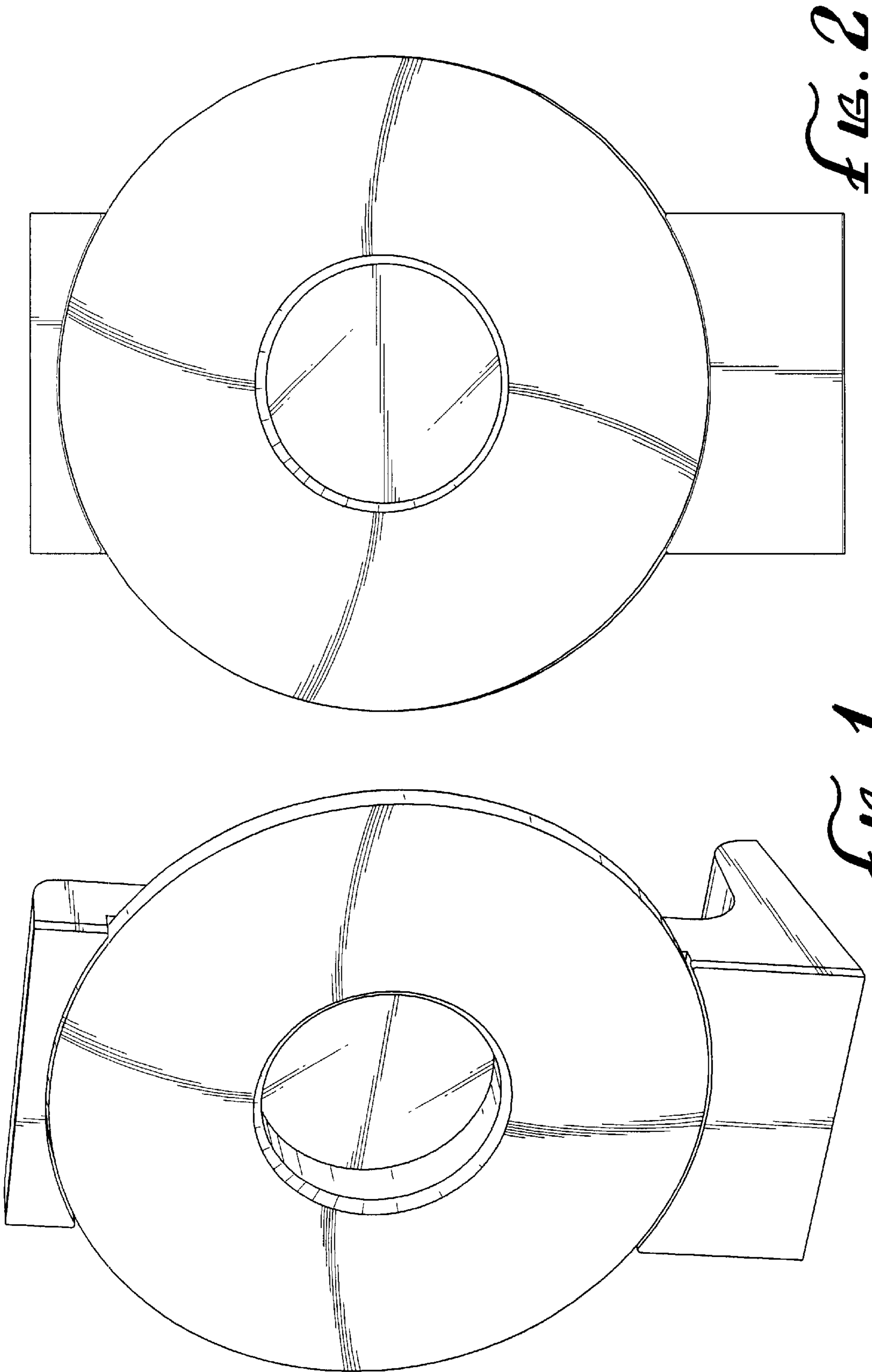


FIG. 2

FIG. 1

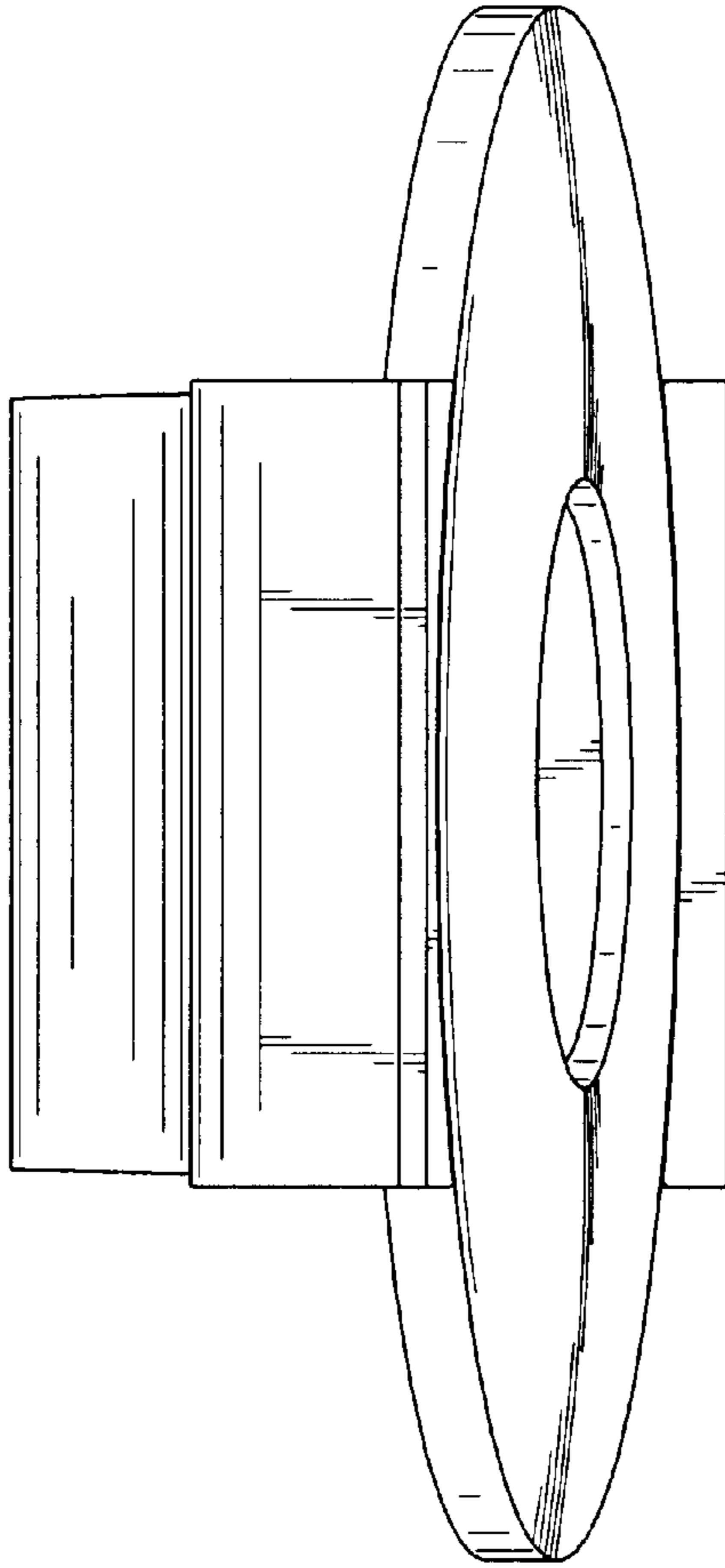


FIG. 3

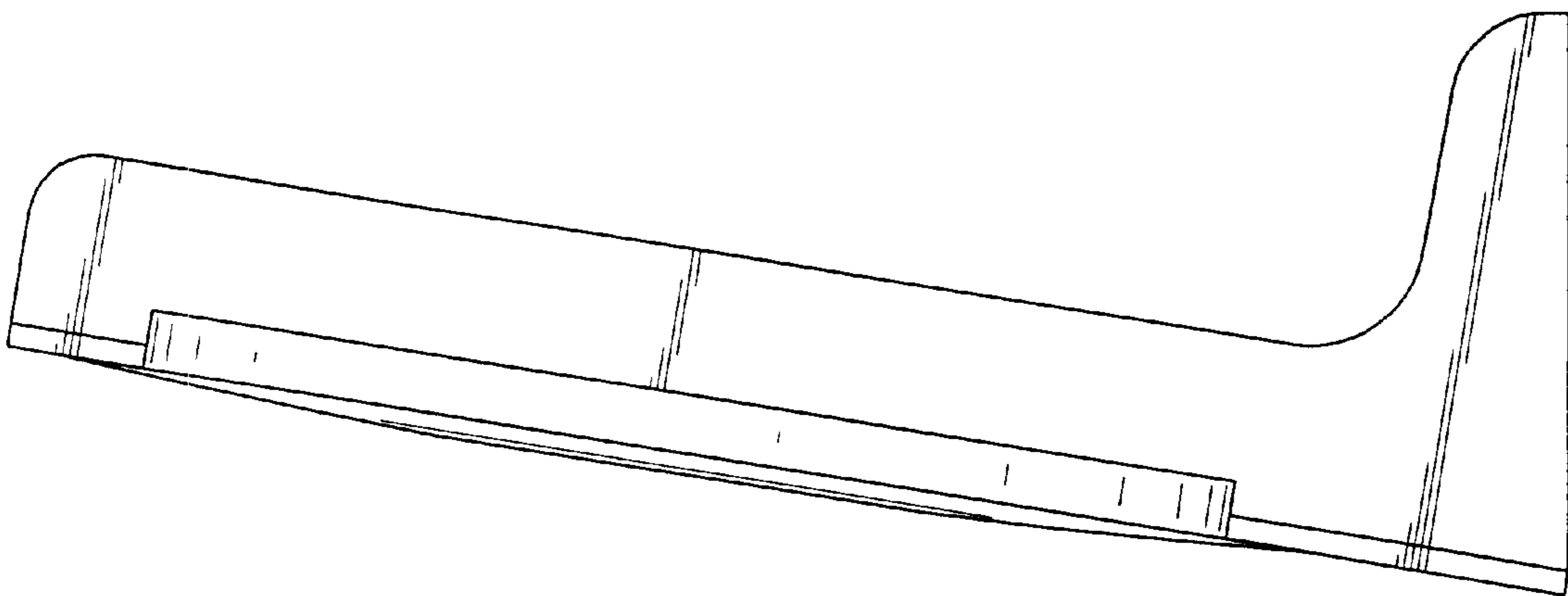


FIG. 4

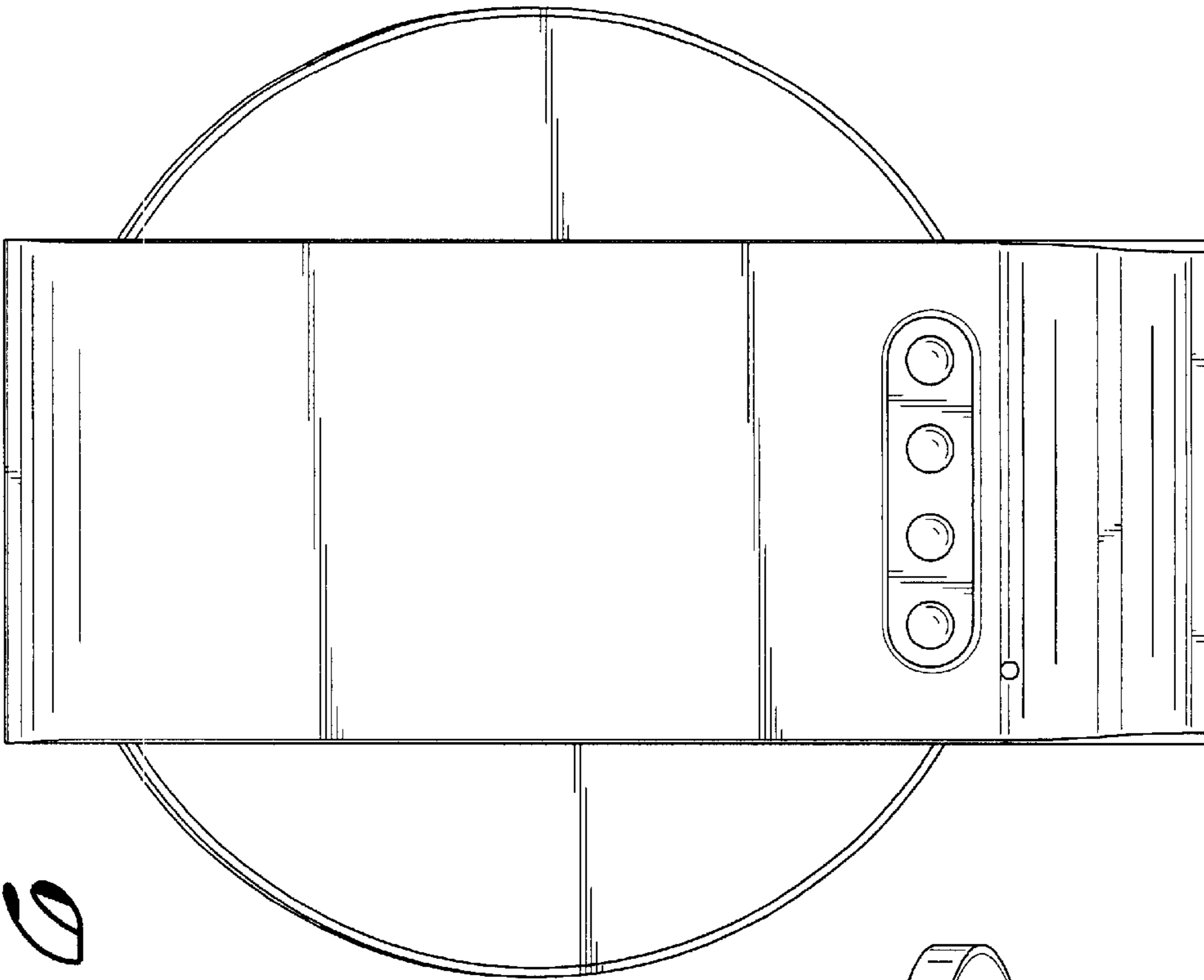


FIG. 6

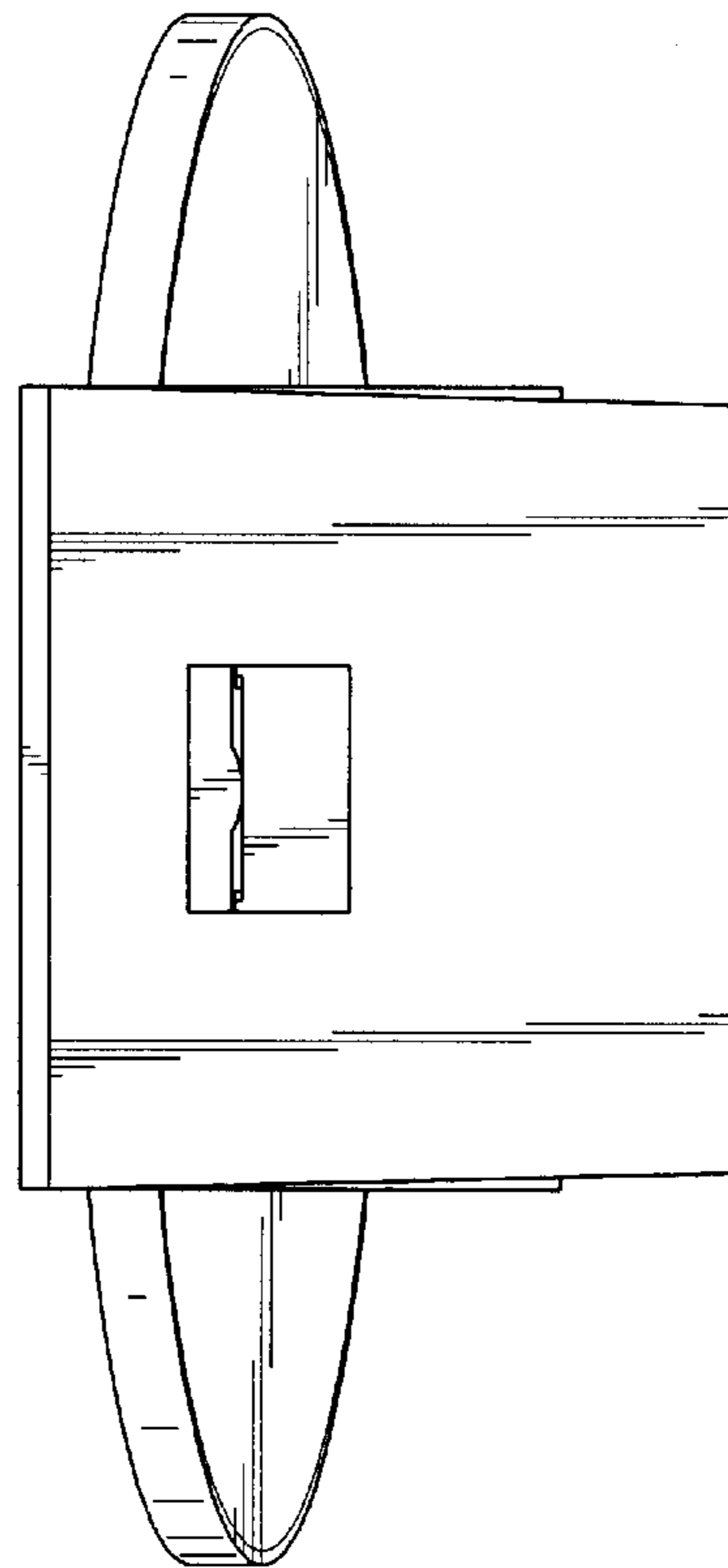


FIG. 5