



US00D531061S

(12) **United States Design Patent**  
**Oas**

(10) **Patent No.:** **US D531,061 S**

(45) **Date of Patent:** **\*\* Oct. 31, 2006**

(54) **COMBINED SPHERICAL CLOCK AND PEDESTAL**

(76) Inventor: **Daniel Oas**, 6250 N. Irwindale Ave.,  
Irwindale, CA (US) 91702

(\*\*) Term: **14 Years**

(21) Appl. No.: **29/254,542**

(22) Filed: **Feb. 24, 2006**

(51) **LOC (8) Cl.** ..... **10-01**

(52) **U.S. Cl.** ..... **D10/15; D10/6; D10/23**

(58) **Field of Classification Search** ..... D10/1-29;  
368/276, 285, 316, 317; D11/121, 131, 157,  
D11/164; 40/406, 410

See application file for complete search history.

(56) **References Cited**

**U.S. PATENT DOCUMENTS**

D55,019 S	*	5/1920	Bennett	.....	D10/23
D90,935 S	*	10/1933	Barrett	.....	D10/15
D98,769 S	*	3/1936	Horwitt	.....	D10/15
D100,776 S	*	8/1936	Jacobs	.....	D10/14
D104,196 S	*	4/1937	Magro	.....	D10/8
D233,026 S	*	10/1974	Blessing	.....	D10/23
D276,703 S	*	12/1984	Au	.....	D10/15

5,456,031 A	*	10/1995	Hou	.....	40/410
6,385,880 B1	*	5/2002	Naragon	.....	40/406
6,616,292 B1	*	9/2003	Lin et al.	.....	362/101
6,880,273 B1	*	4/2005	Lo	.....	40/406
7,048,433 B1	*	5/2006	Bhavnani et al.	.....	368/316

\* cited by examiner

*Primary Examiner*—Lucy Lieberman

(74) *Attorney, Agent, or Firm*—Edgar W. Averill, Jr.;  
Kenneth L. Green

(57) **CLAIM**

The ornamental design for a combined spherical clock and pedestal.

**DESCRIPTION**

FIG. 1 is a perspective view showing the top, front and right side of the combined spherical clock and pedestal showing my new design.

FIG. 2 is a front view thereof.

FIG. 3 is a top view thereof.

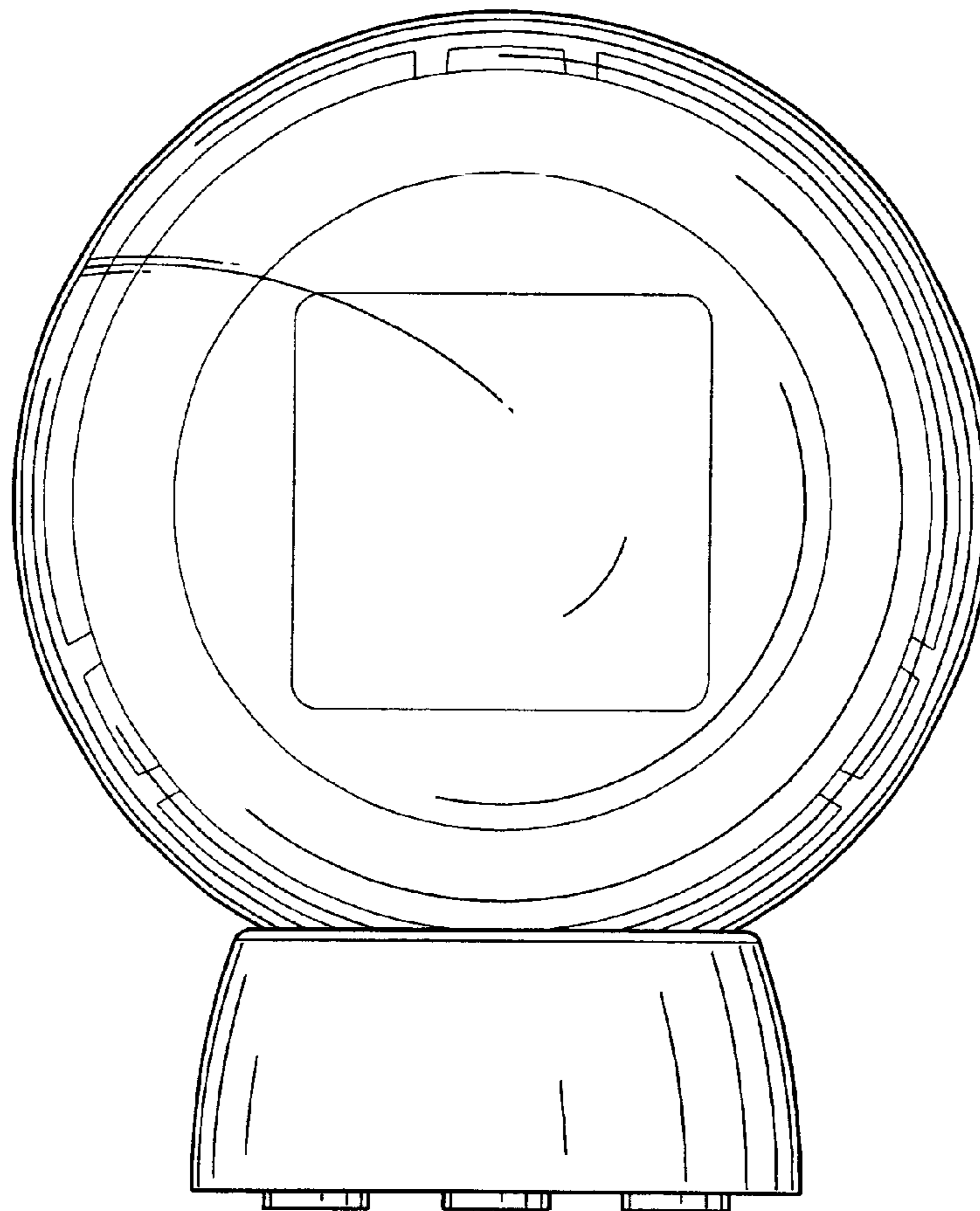
FIG. 4 is a right side view thereof.

FIG. 5 is a left side view thereof.

FIG. 6 is a rear view thereof; and,

FIG. 7 is a bottom view thereof.

**1 Claim, 4 Drawing Sheets**



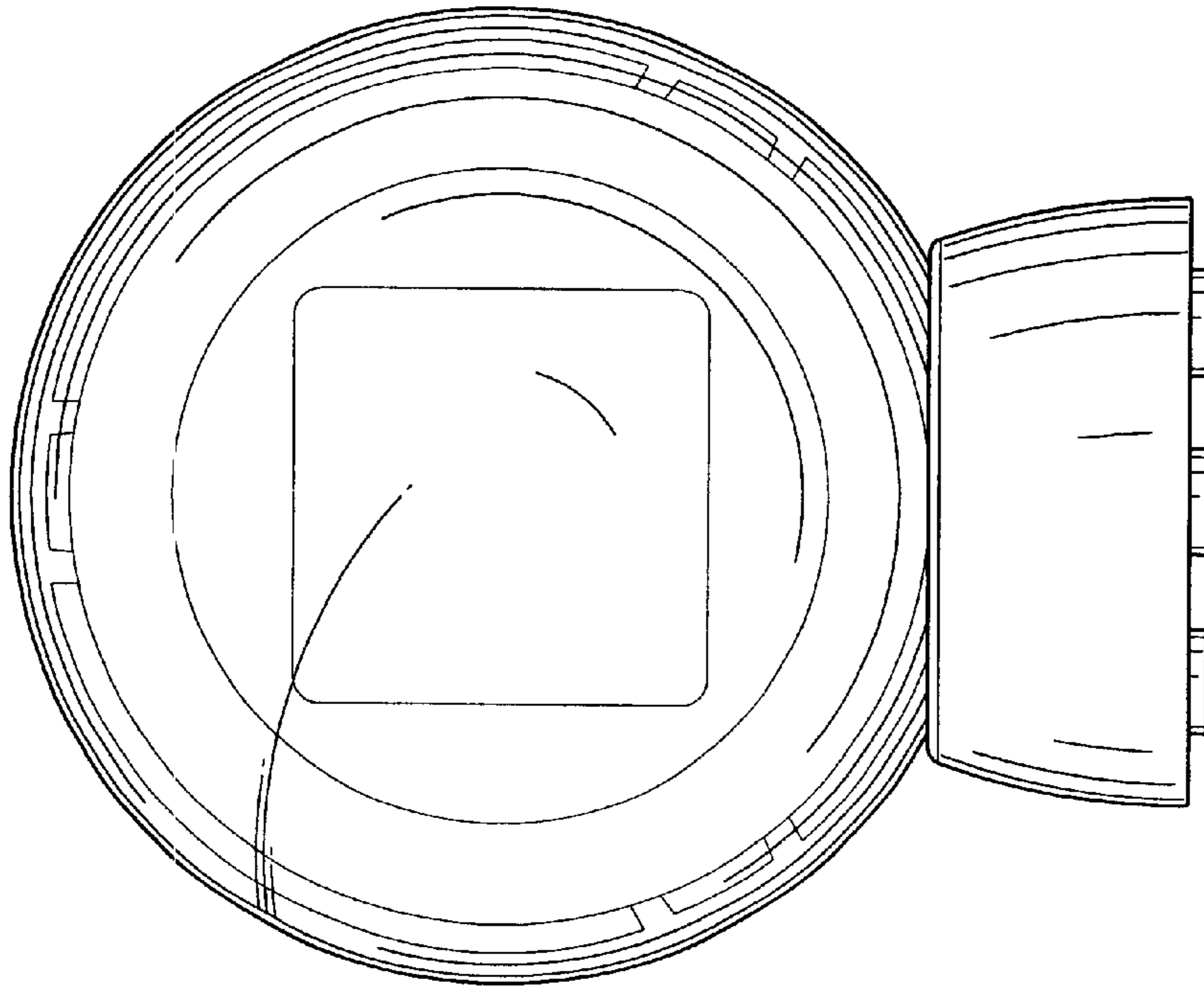


Fig. 2

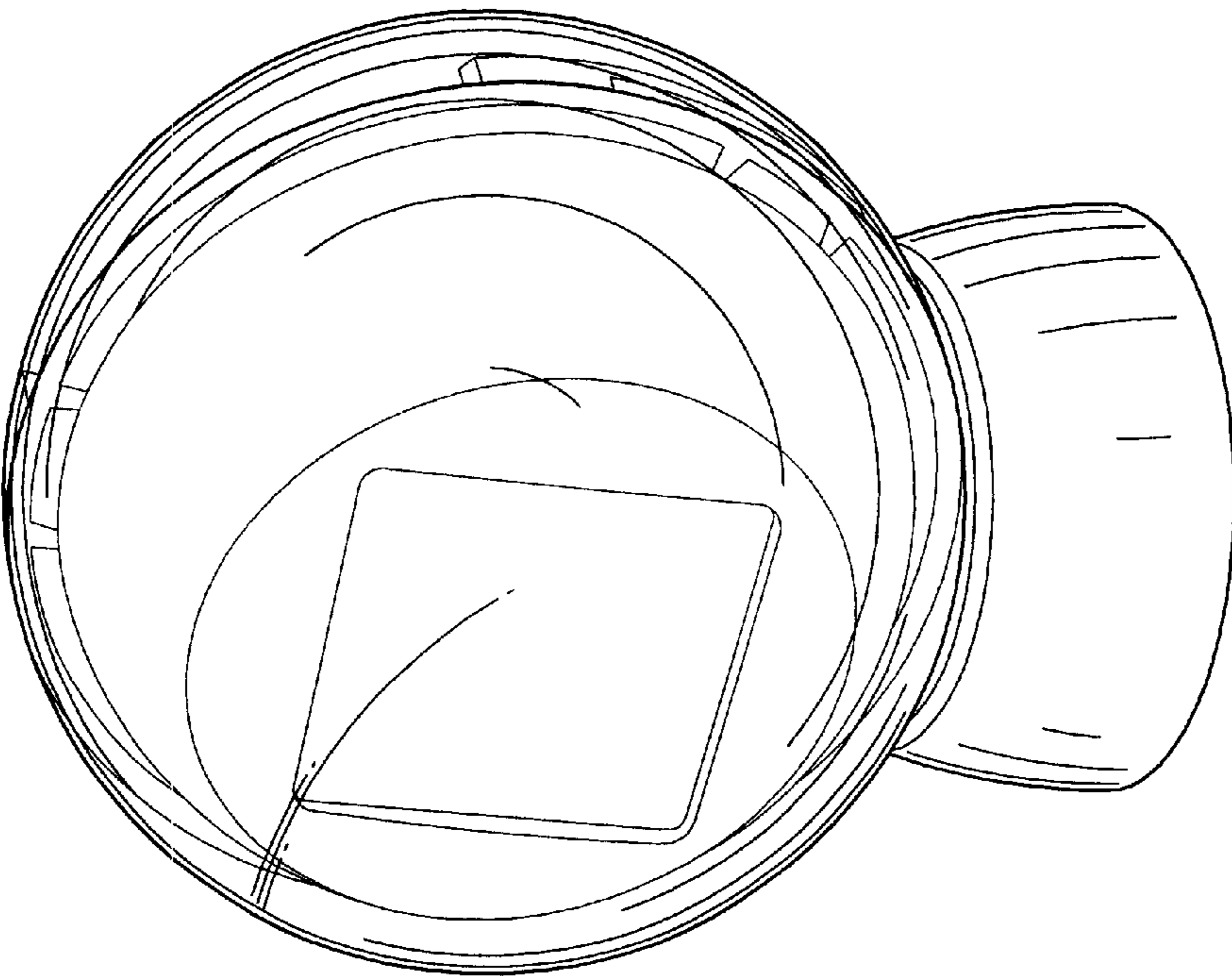


Fig. 1

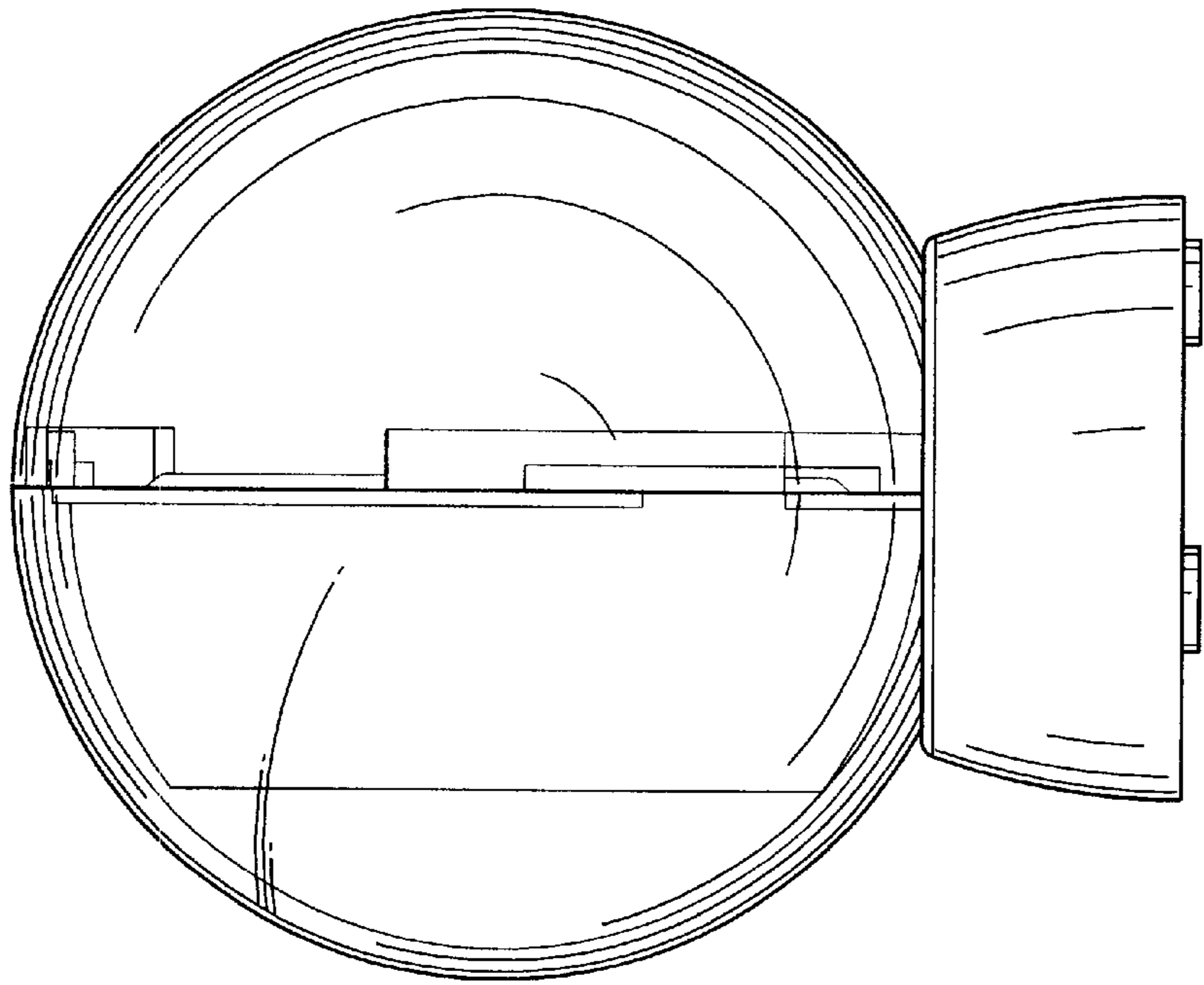


Fig. 4

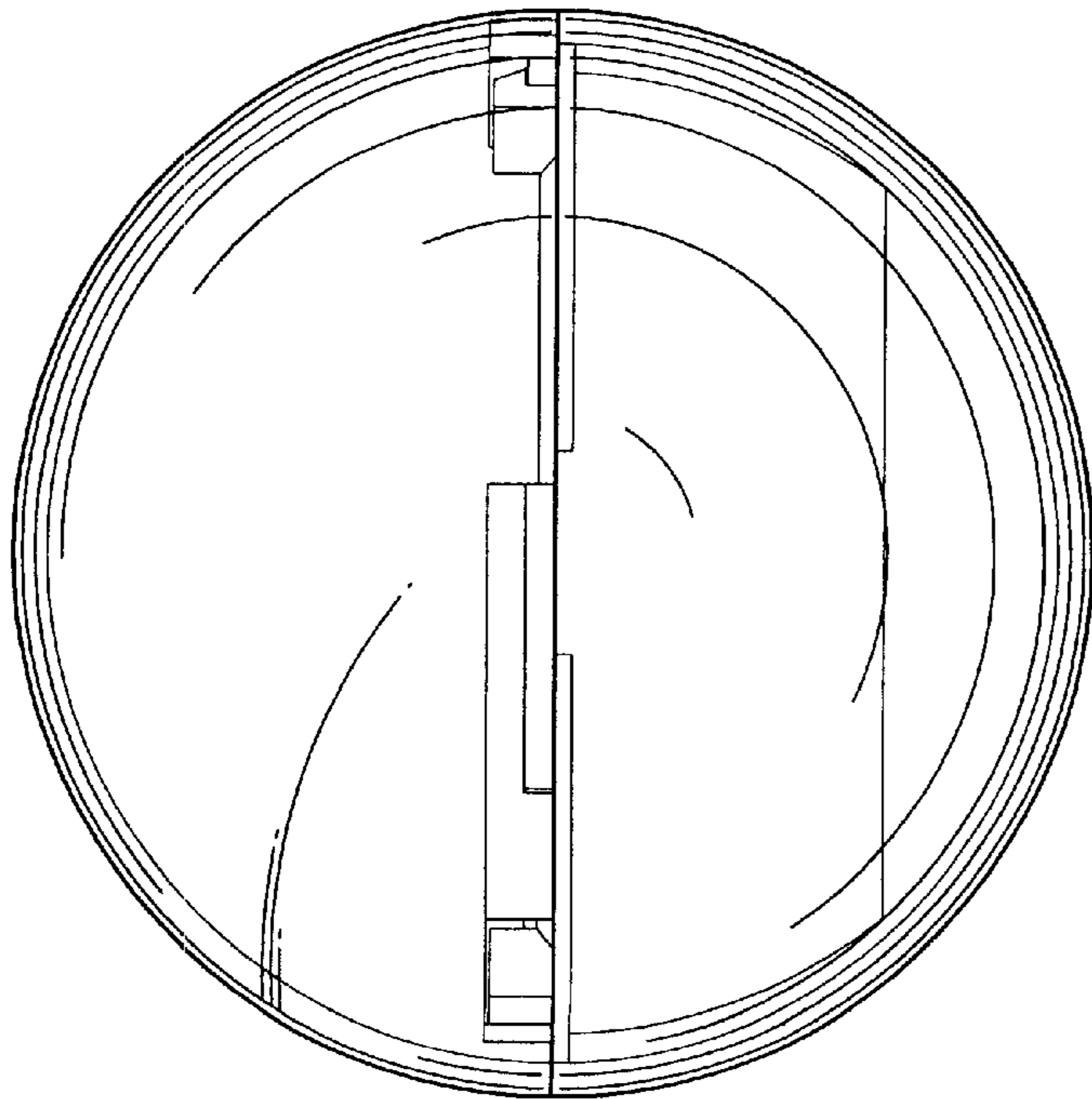


Fig. 3

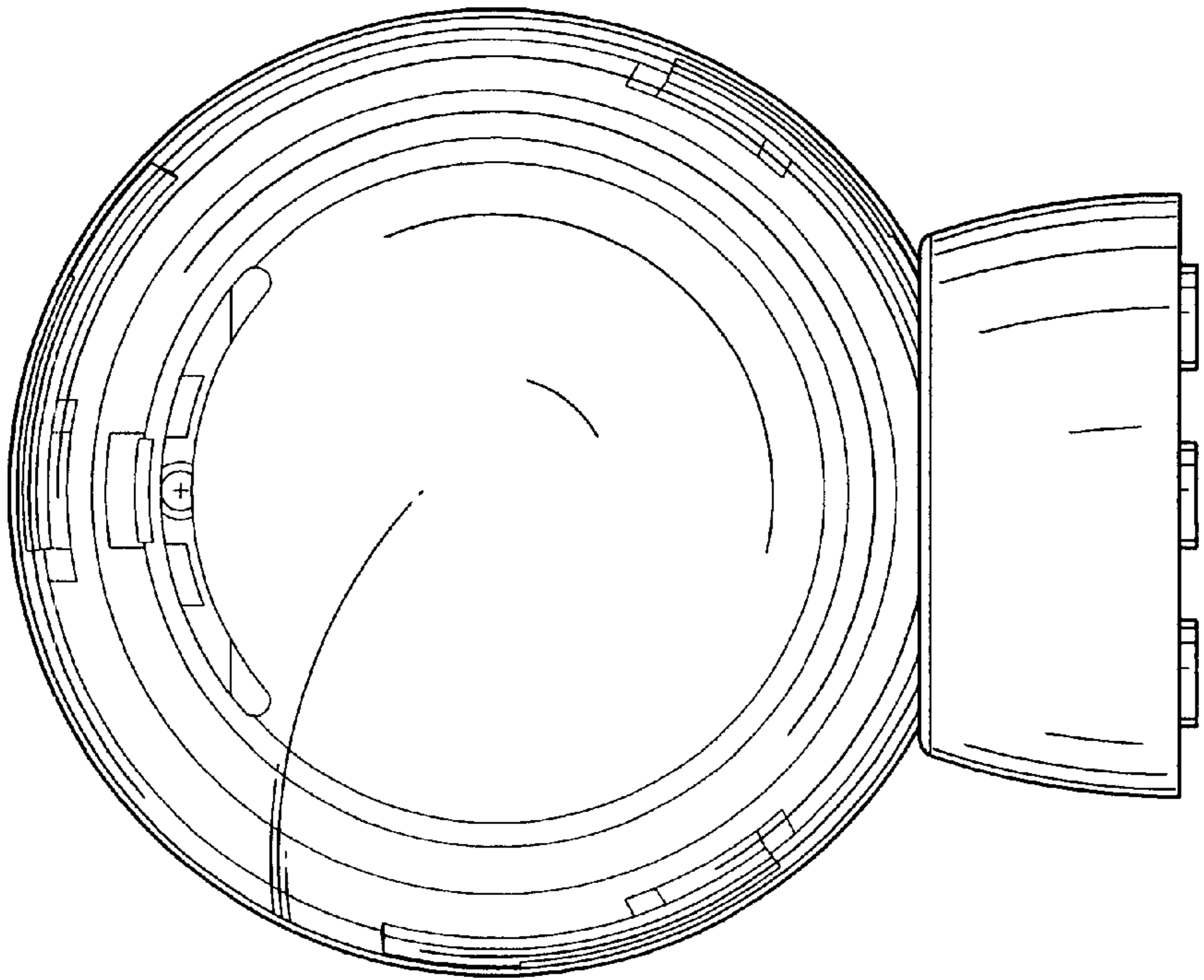


Fig. 5

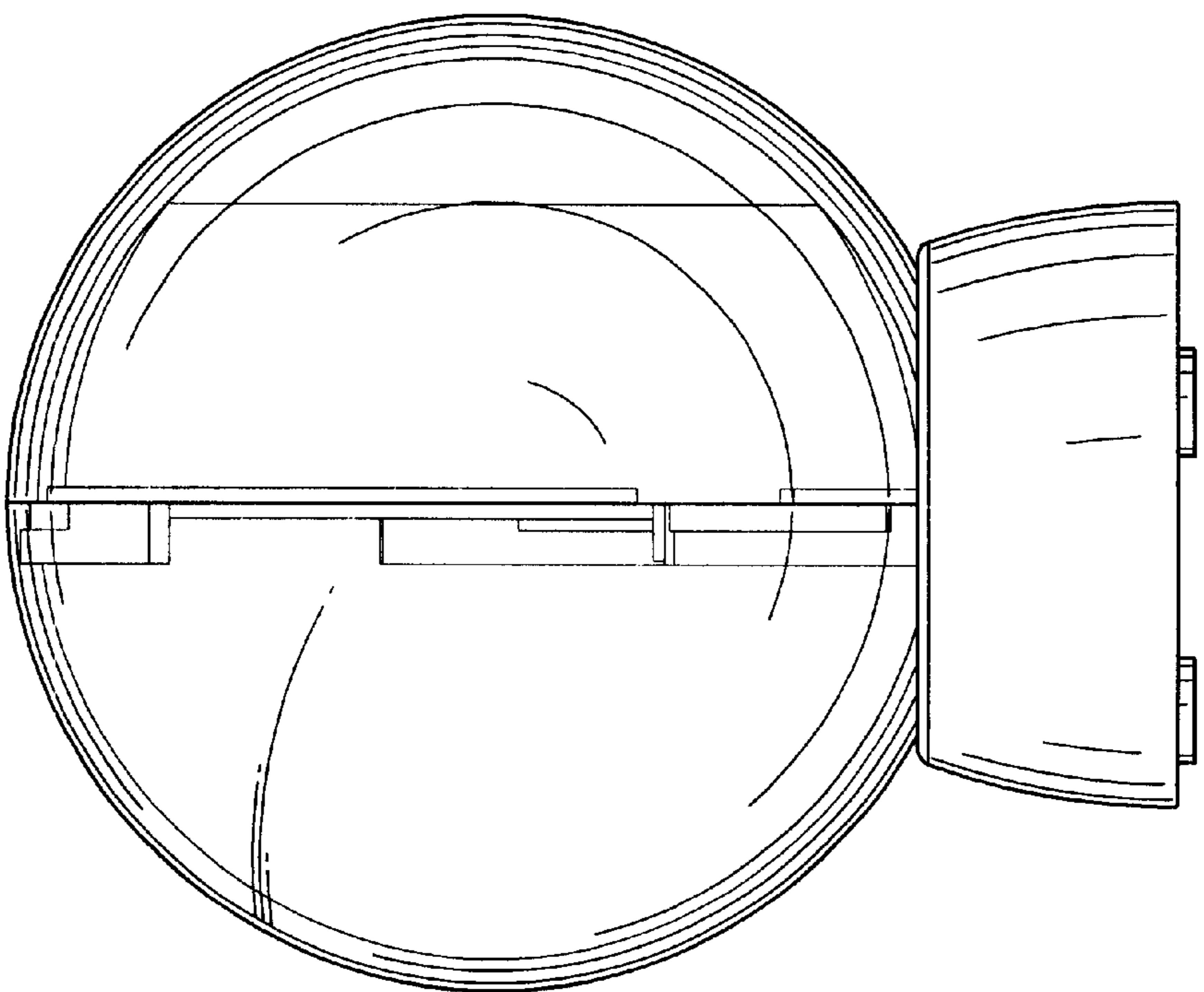


Fig. 6

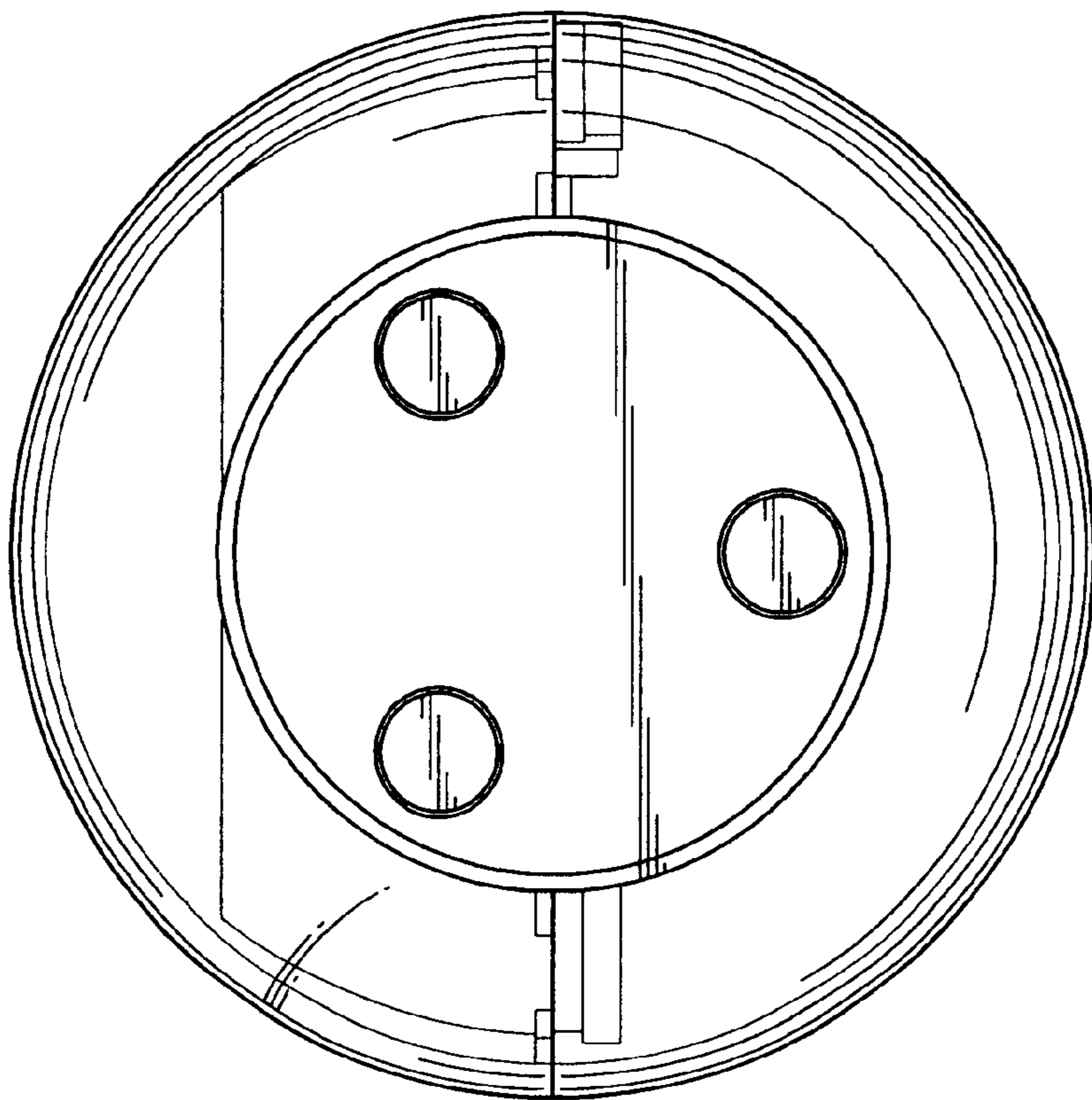


Fig. 7