



US00D531060S

(12) **United States Design Patent**
Leeks

(10) **Patent No.:** **US D531,060 S**

(45) **Date of Patent:** **** Oct. 31, 2006**

(54) **CLOCK**

(75) Inventor: **Robert Leeks**, London (GB)

(73) Assignee: **Mayhem UK Ltd**, London (GB)

(**) Term: **14 Years**

(21) Appl. No.: **29/252,706**

(22) Filed: **Jan. 26, 2006**

(51) **LOC (8) Cl.** **10-01**

(52) **U.S. Cl.** **D10/15**

(58) **Field of Classification Search** D10/1-29;
368/276, 285, 316, 317, 284; D11/121, 131,
D11/157, 164; 40/406, 410

See application file for complete search history.

(56) **References Cited**

U.S. PATENT DOCUMENTS

D154,687 S	*	8/1949	Lambert	D10/3
D236,327 S	*	8/1975	Wilson	D10/23
D247,551 S	*	3/1978	Liberman	D10/15
4,081,952 A	*	4/1978	Busch et al.	368/82
D256,890 S	*	9/1980	Diskin	D10/15

D256,891 S	*	9/1980	Diskin	D10/15
D258,808 S	*	4/1981	Diskin	D10/15
5,272,604 A	*	12/1993	Lin	362/96
D408,744 S	*	4/1999	Suzuki	D10/22
D517,428 S	*	3/2006	Chang	D10/3

* cited by examiner

Primary Examiner—Lucy Lieberman

(74) *Attorney, Agent, or Firm*—McKee, Voorhees & Sease, P.L.C.

(57) **CLAIM**

I claim the ornamental design for a clock, as shown and described.

DESCRIPTION

FIG. 1 is front perspective view of a clock showing my new design.

FIG. 2 is a rear perspective view thereof.

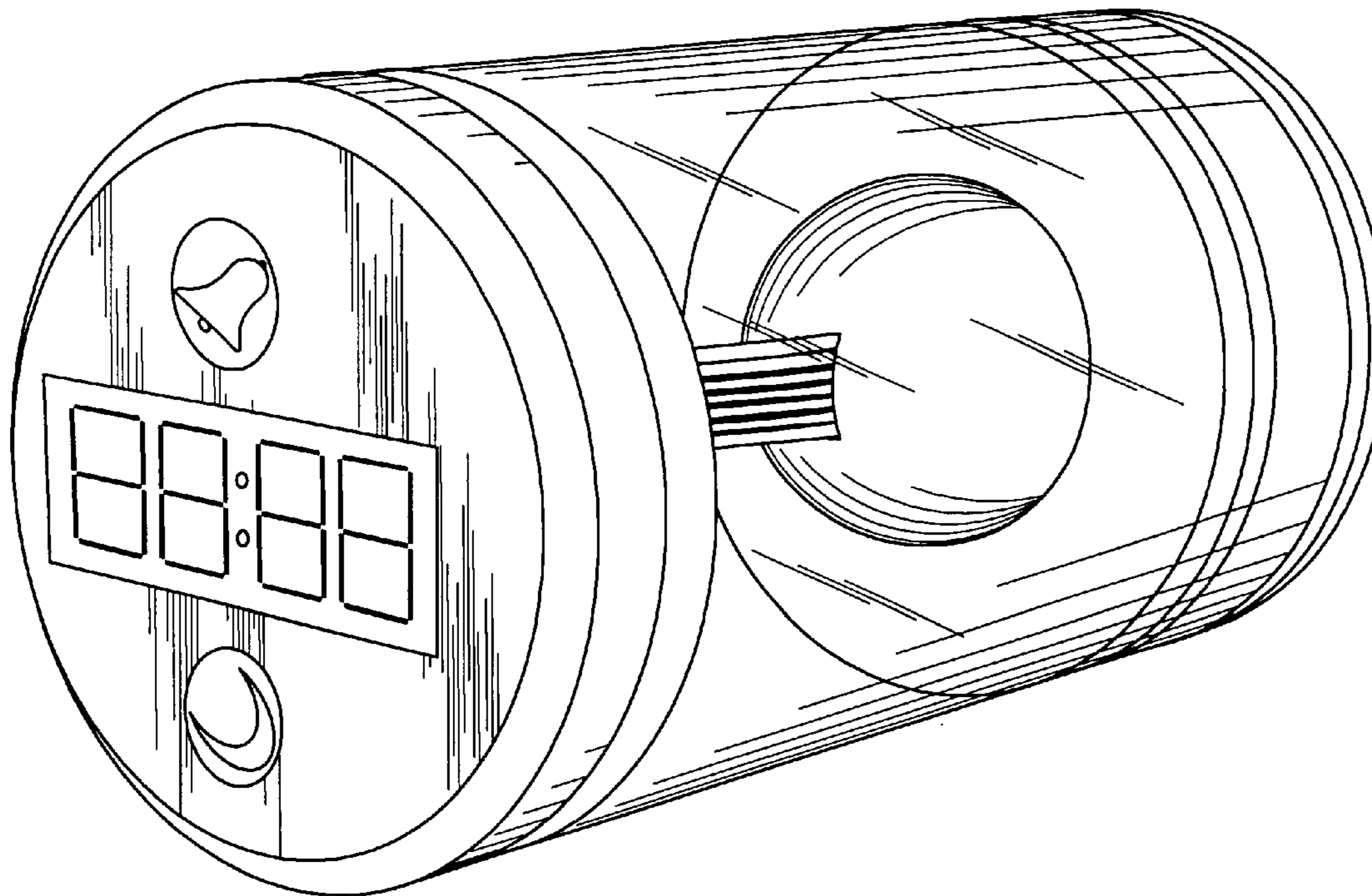
FIG. 3 is a side view taken from the right side in FIG. 1 with the opposite side being a mirror image thereof.

FIG. 4 is a top plan view thereof.

FIG. 5 is a front elevational view thereof; and,

FIG. 6 is a rear elevational view thereof.

1 Claim, 3 Drawing Sheets



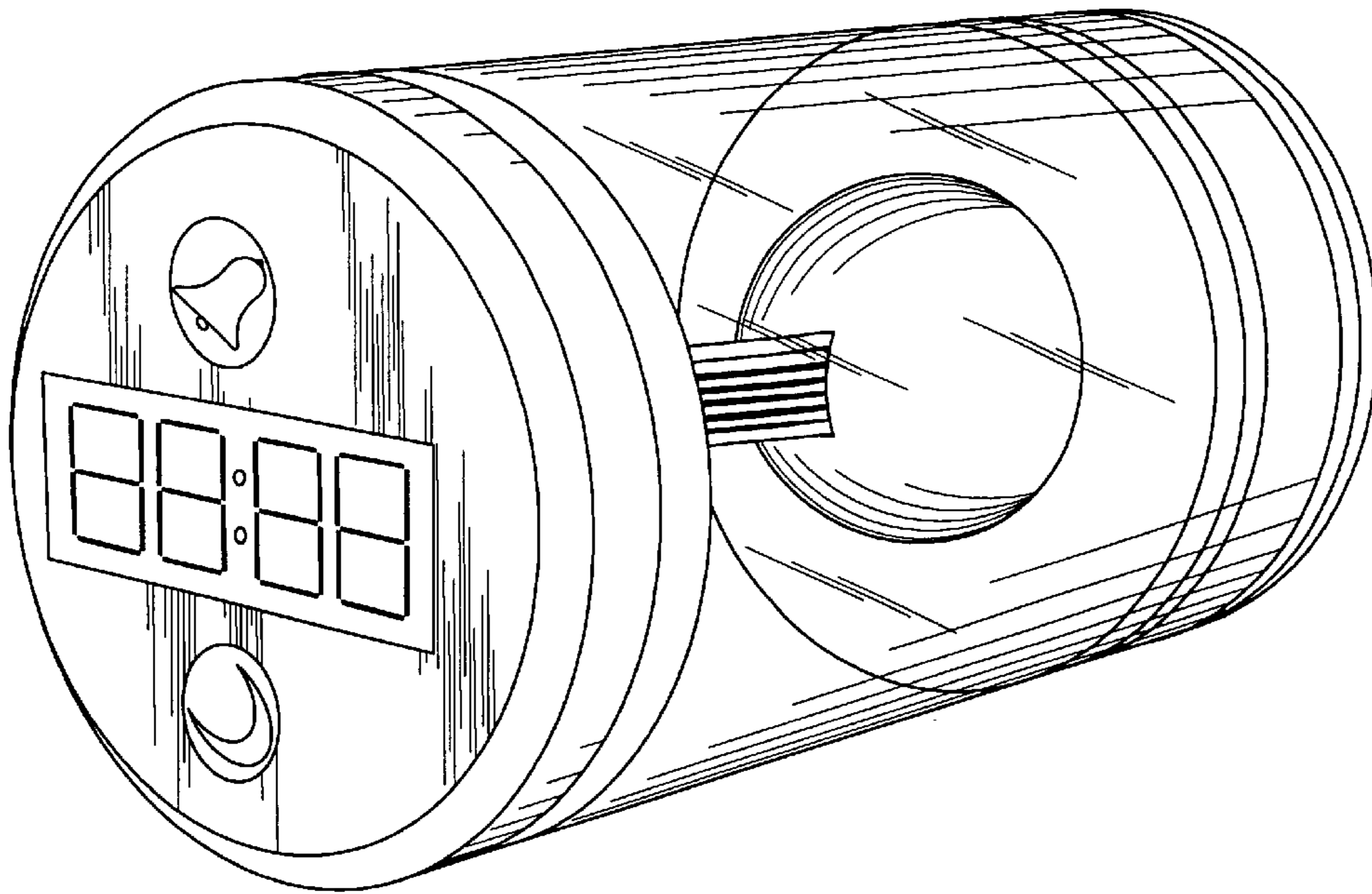


Fig. 1

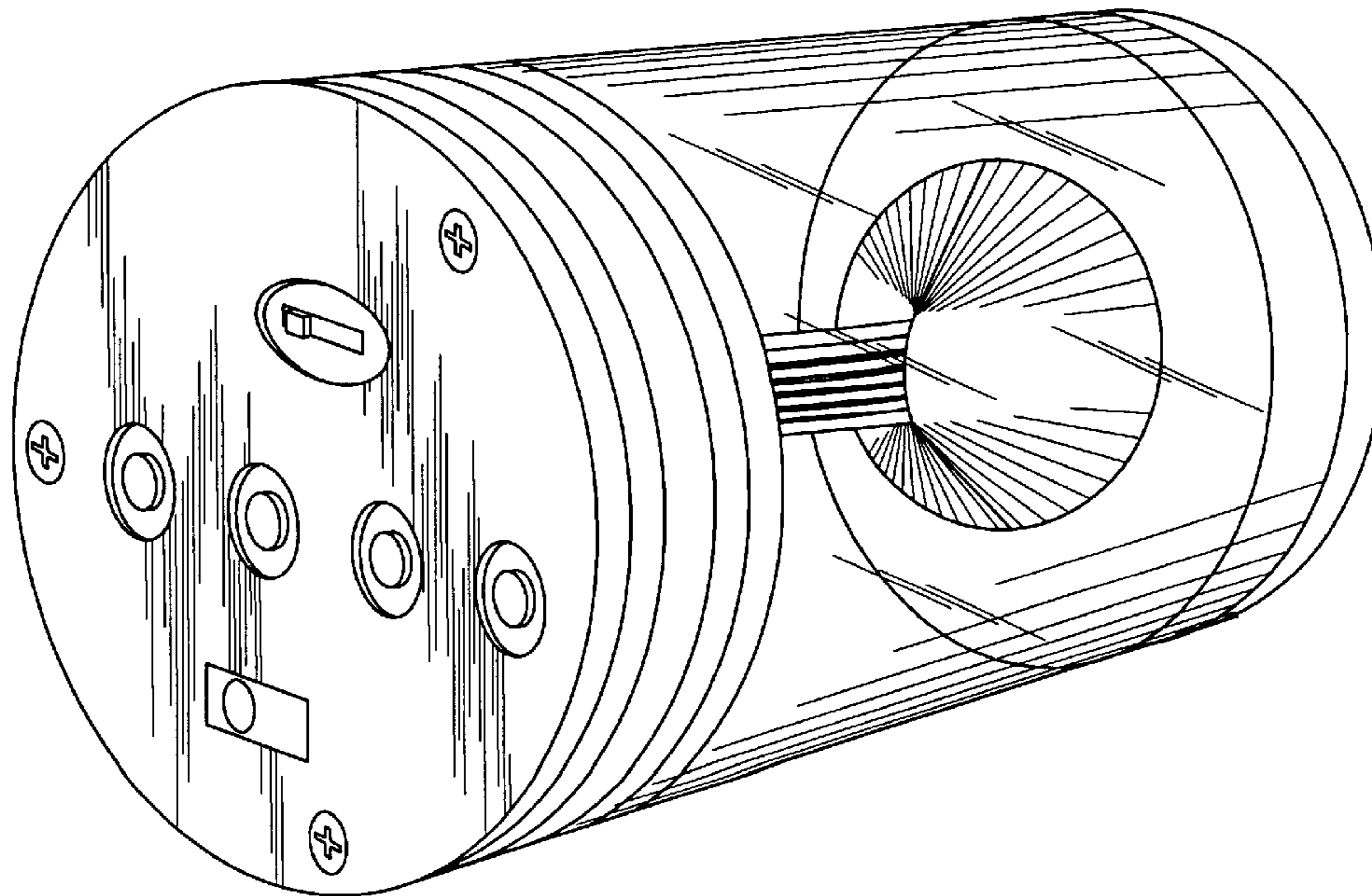


Fig. 2

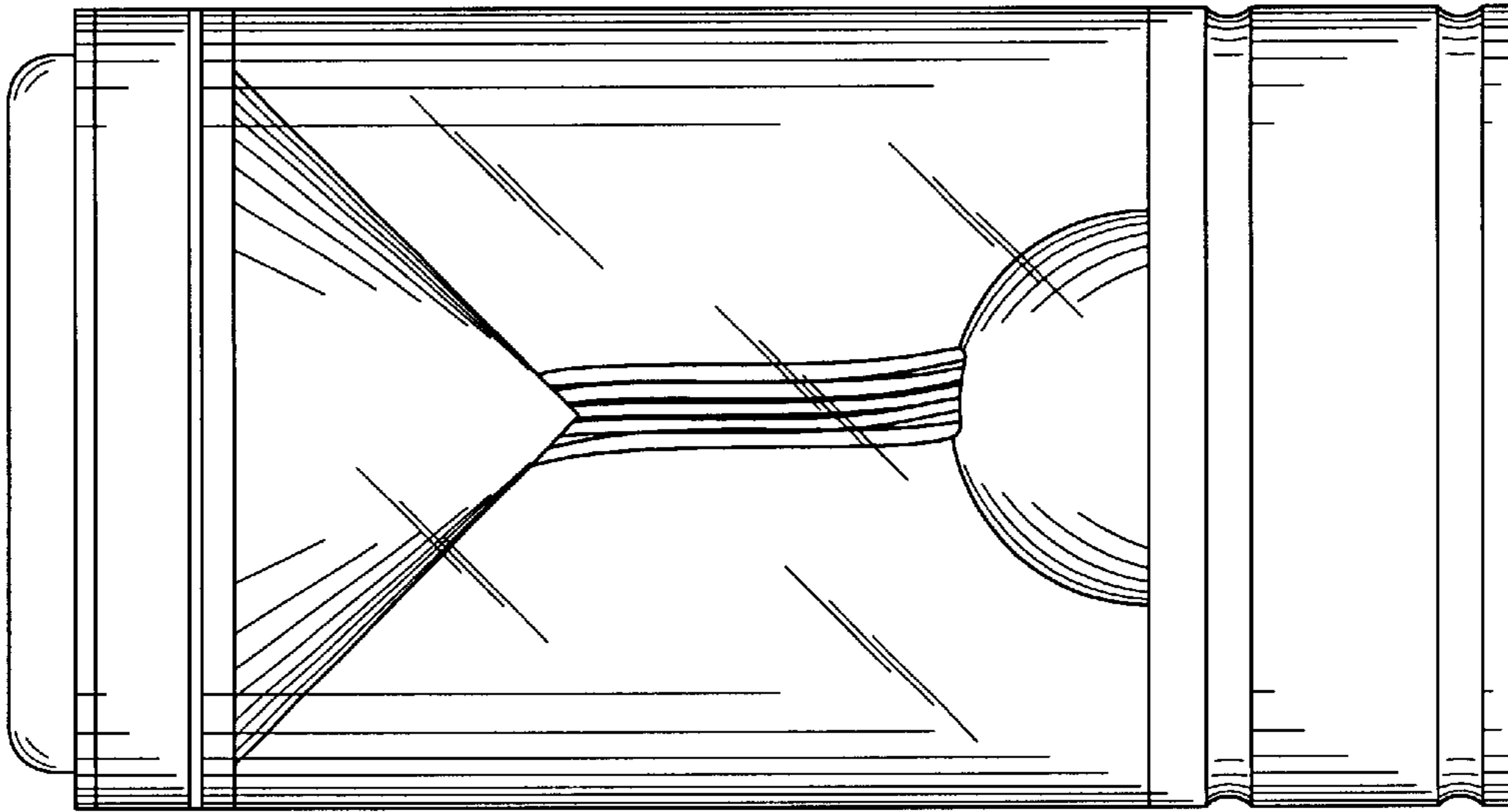


Fig. 3

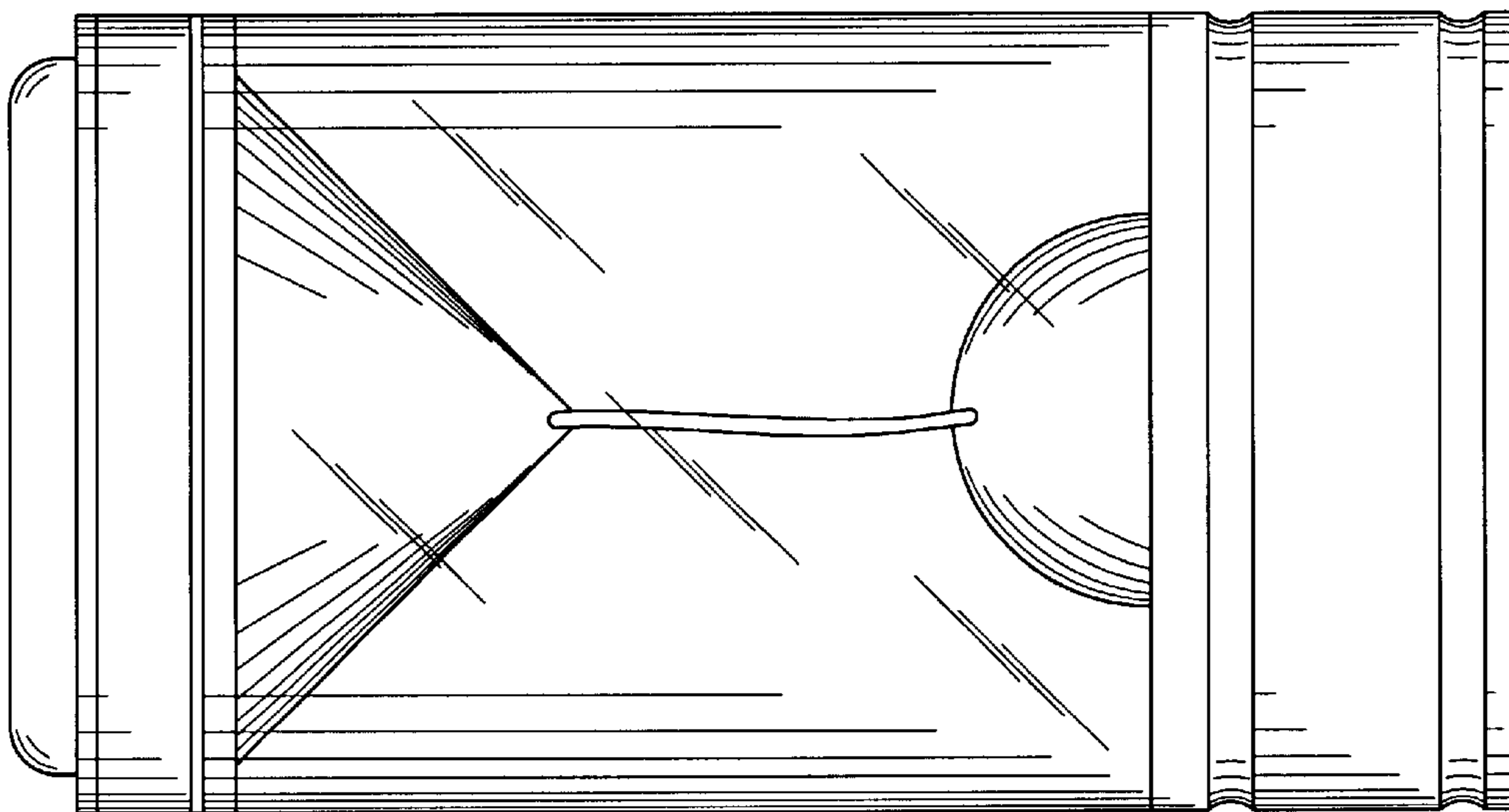


Fig. 4

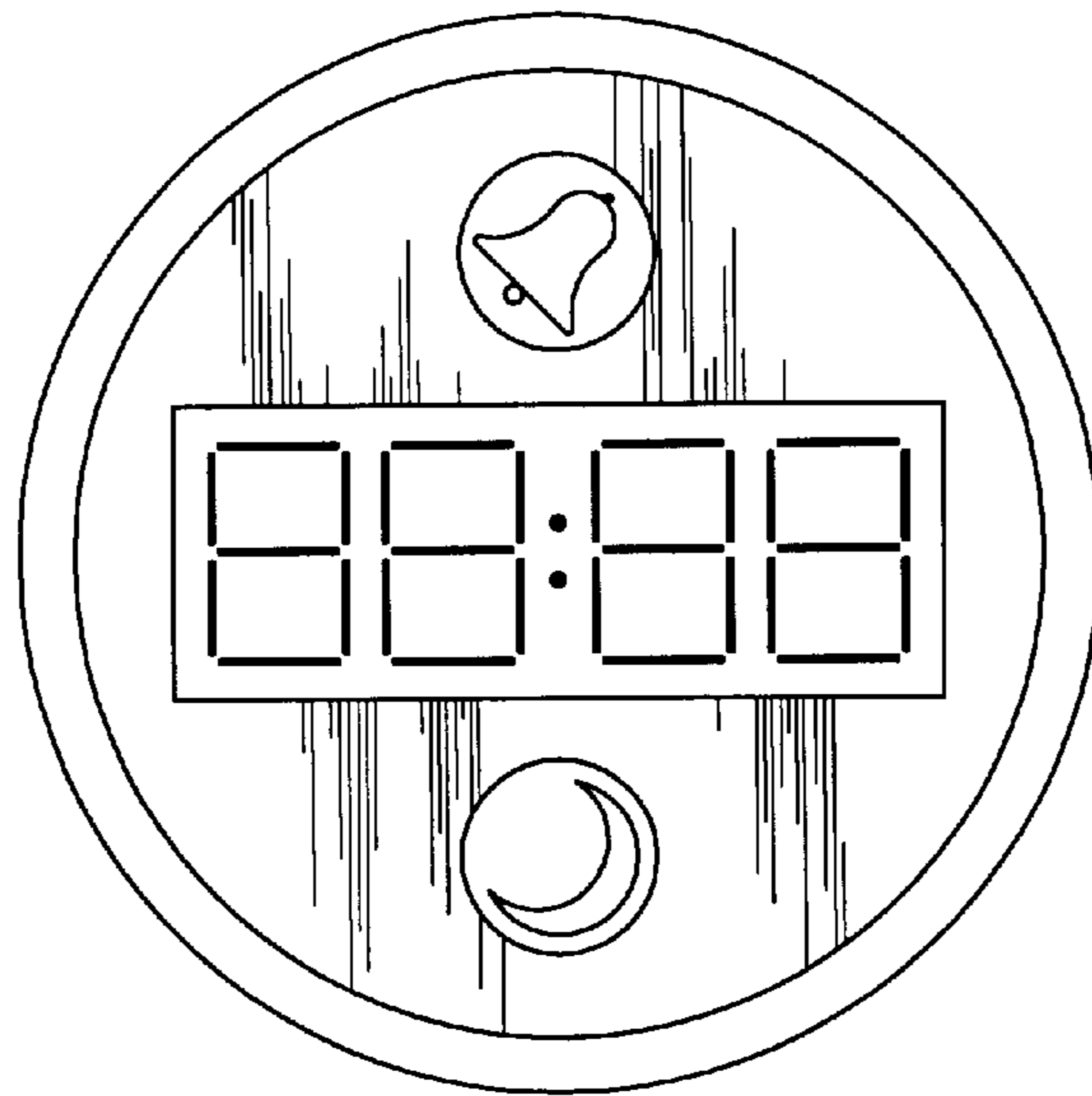


Fig. 5

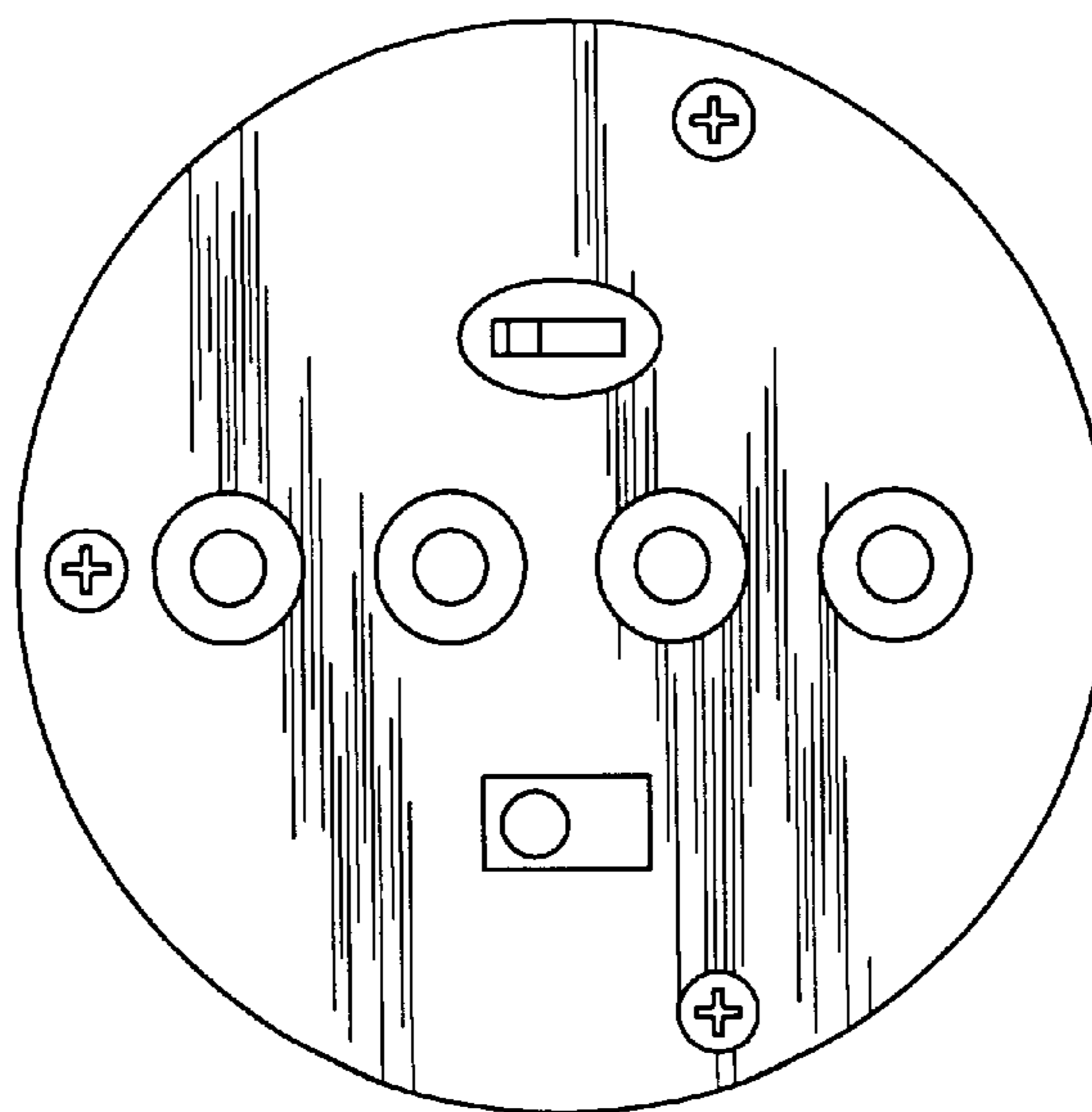


Fig. 6