



US00D531058S

(12) **United States Design Patent**
Bhavnani

(10) **Patent No.:** **US D531,058 S**

(45) **Date of Patent:** **** Oct. 31, 2006**

(54) **CLOCK WITH FOLDING BASE**

(75) Inventor: **Dilip Bhavnani**, Beverly Hills, CA
(US)

(73) Assignee: **Sun Coast Merchandise Corporation**,
Commerce, CA (US)

(**) Term: **14 Years**

(21) Appl. No.: **29/246,425**

(22) Filed: **Apr. 10, 2006**

(51) **LOC (8) Cl.** **10-01**

(52) **U.S. Cl.** **D10/1**

(58) **Field of Classification Search** D10/1-29;
368/276, 285, 316, 317, 278, 10, 79, 239-242,
368/82-84, 277

See application file for complete search history.

(56) **References Cited**

U.S. PATENT DOCUMENTS

- D300,007 S * 2/1989 Booty D10/28
- D309,572 S * 7/1990 Suzuki D10/18
- D318,019 S * 7/1991 van Lelyveld D10/18
- D320,163 S * 9/1991 Dingelstad et al. D10/18
- 5,058,086 A * 10/1991 Barlow 368/317
- D359,241 S * 6/1995 Ling D10/18
- D382,008 S * 8/1997 Mak D18/2
- D397,943 S * 9/1998 Levinger D10/18

- D410,393 S * 6/1999 Hanig D10/18
- D512,653 S * 12/2005 Chan D10/15
- D518,740 S * 4/2006 Suzuki D10/18

* cited by examiner

Primary Examiner—Lucy Lieberman

(74) *Attorney, Agent, or Firm*—The Soni Law Firm

(57) **CLAIM**

The ornamental design for a clock with folding base, as shown and described.

DESCRIPTION

FIG. 1 is a front side perspective view thereof with the phantom lines depicting environmental structure and forming no part of the claimed design;

FIG. 2 is a front elevational view thereof with the phantom lines depicting environmental structure and forming no part of the claimed design;

FIG. 3 is a top plan view thereof;

FIG. 4 is a side elevational view thereof;

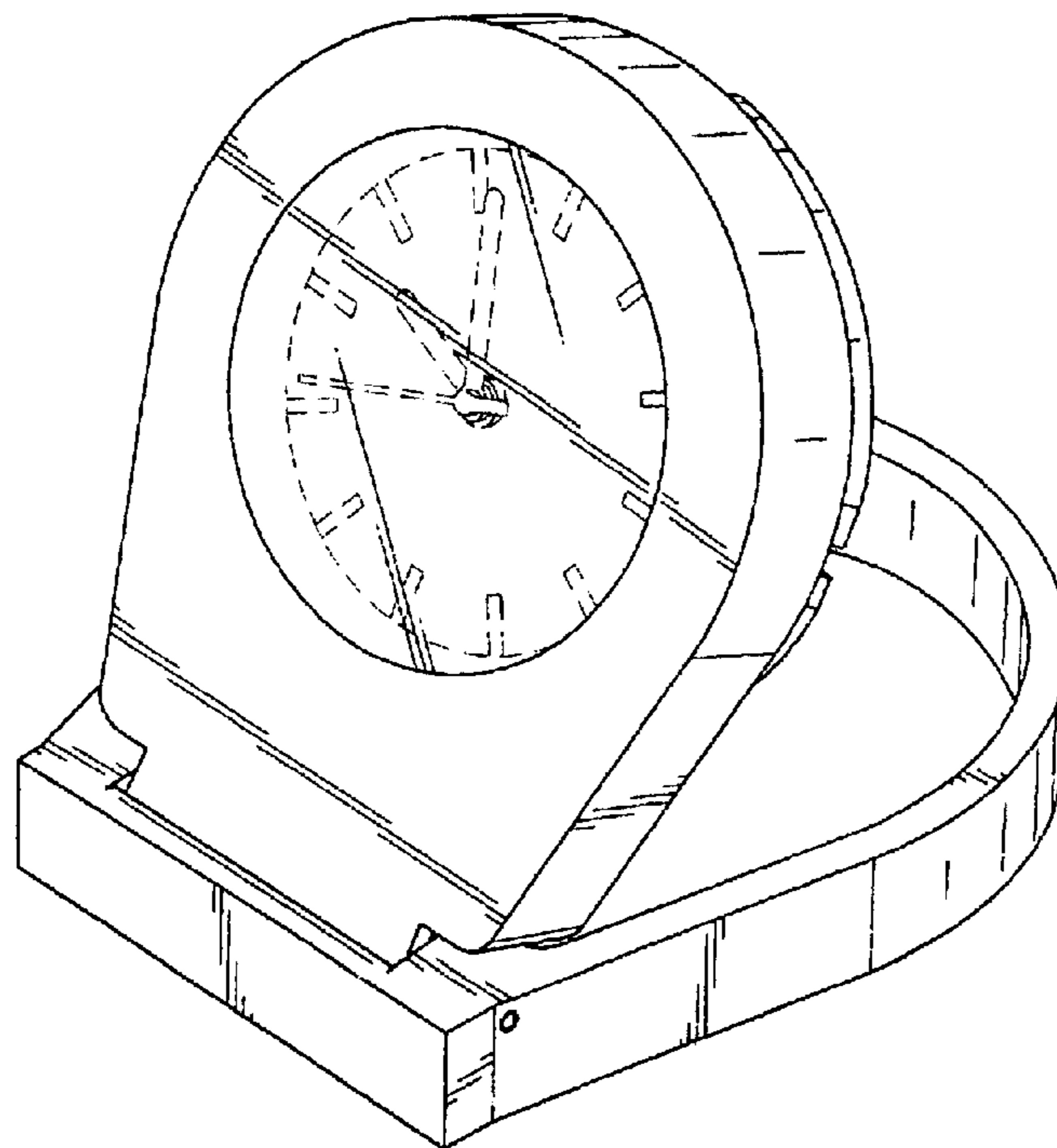
FIG. 5 is a side elevational view thereof;

FIG. 6 is a bottom plan view thereof;

FIG. 7 is a back elevational view thereof; and,

FIG. 8 is a front side perspective view of the clock with the base in a unfolded position with the phantom lines depicting environmental structure and forming no part of the claimed design.

1 Claim, 3 Drawing Sheets



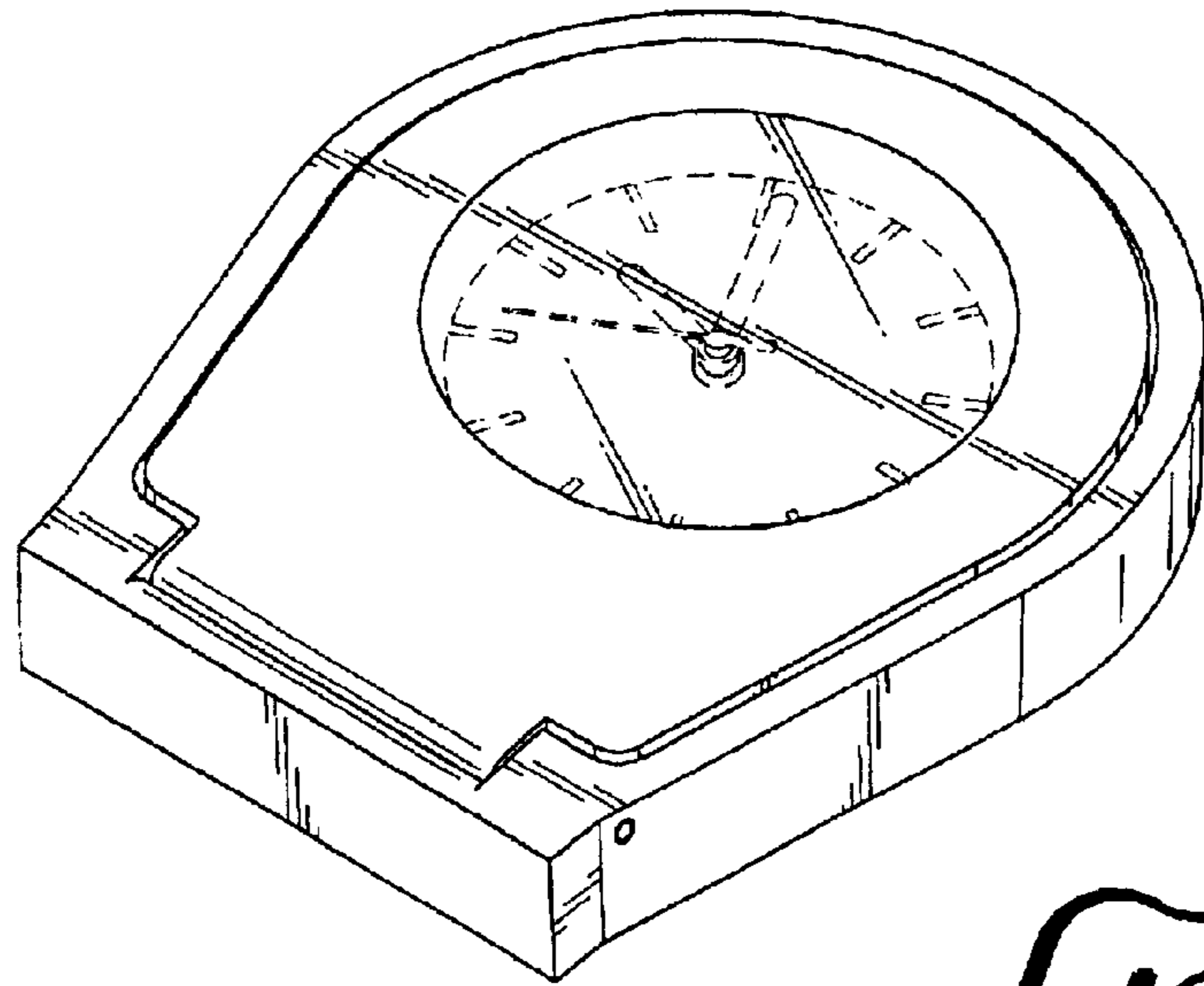


FIG. 1

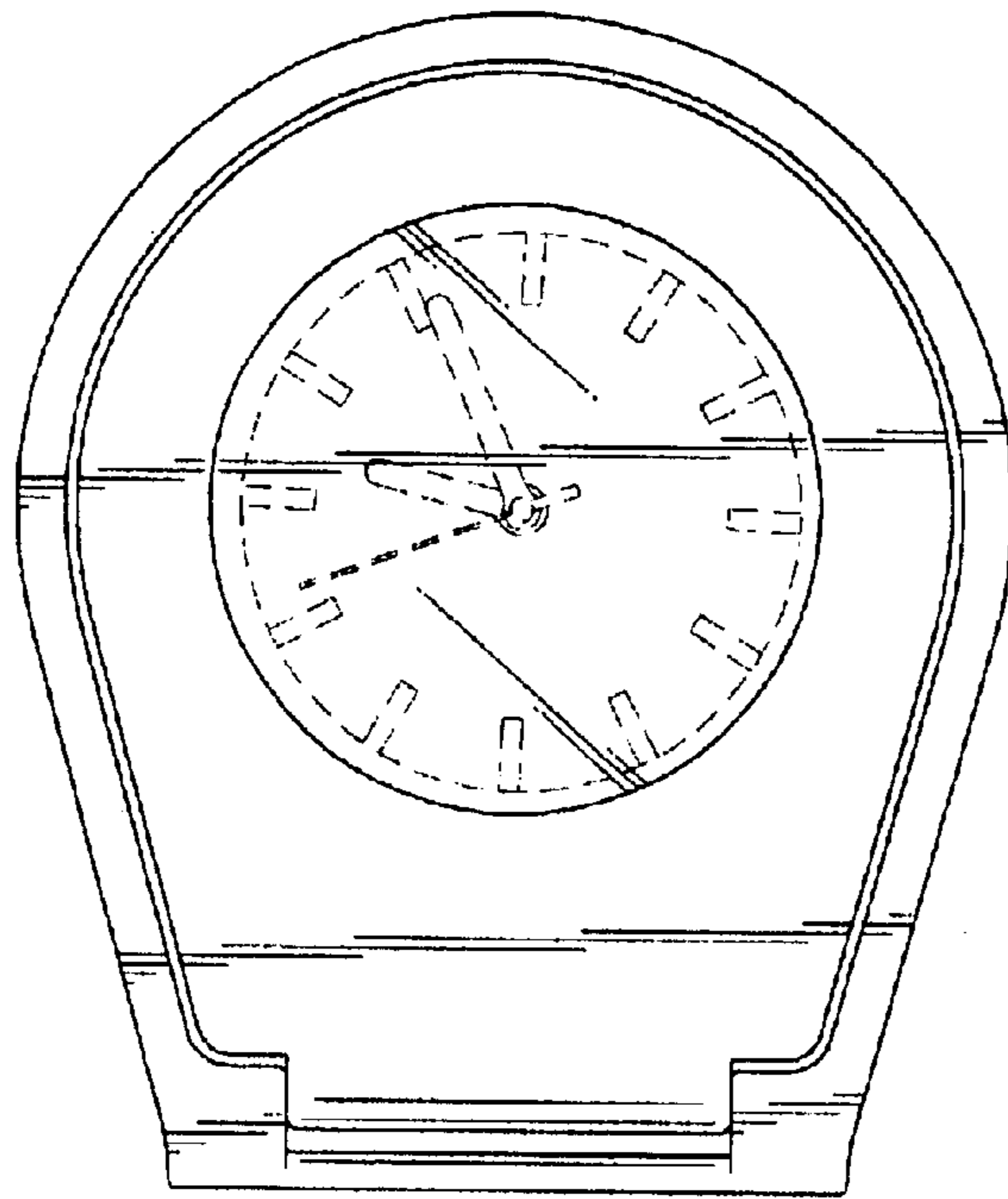


FIG. 2

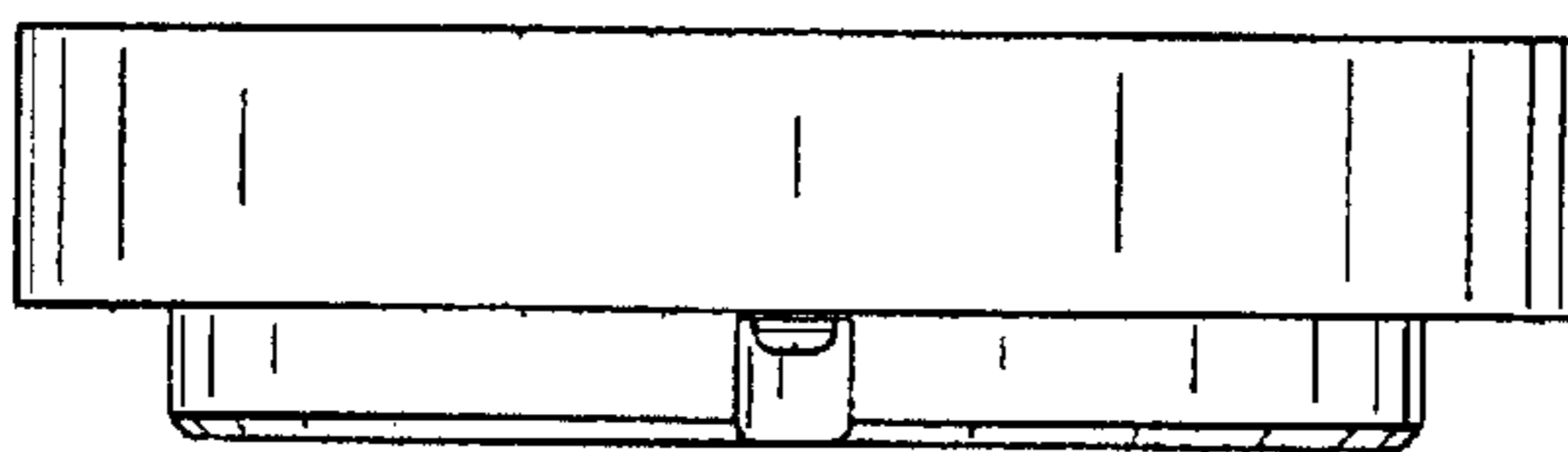


FIG. 3

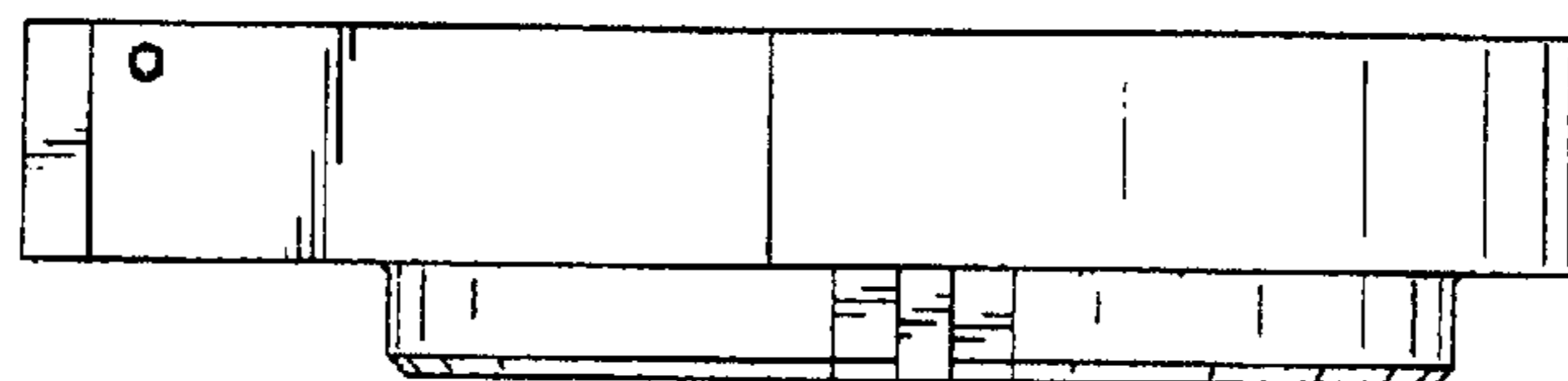


FIG. 4

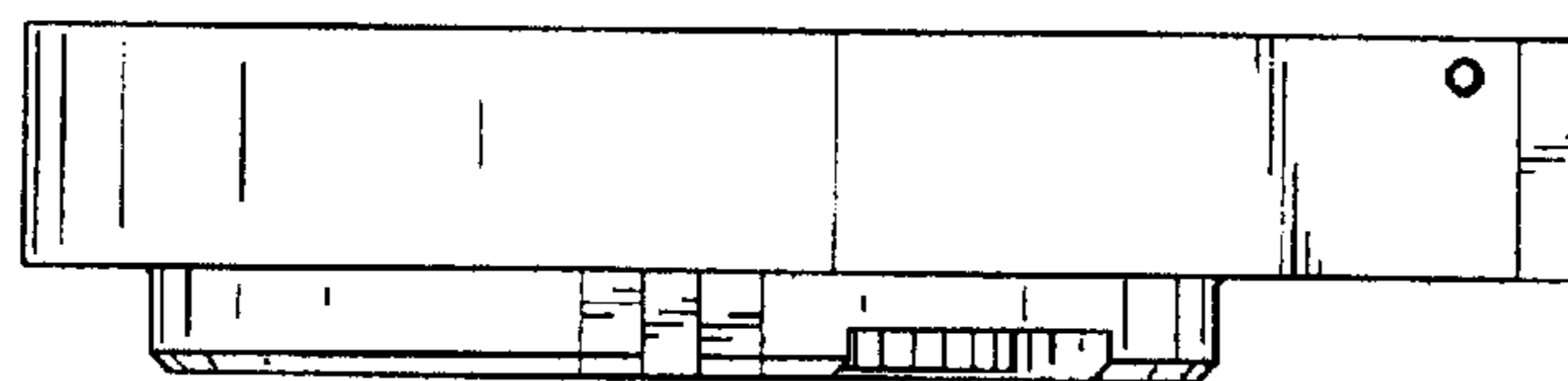


FIG. 5

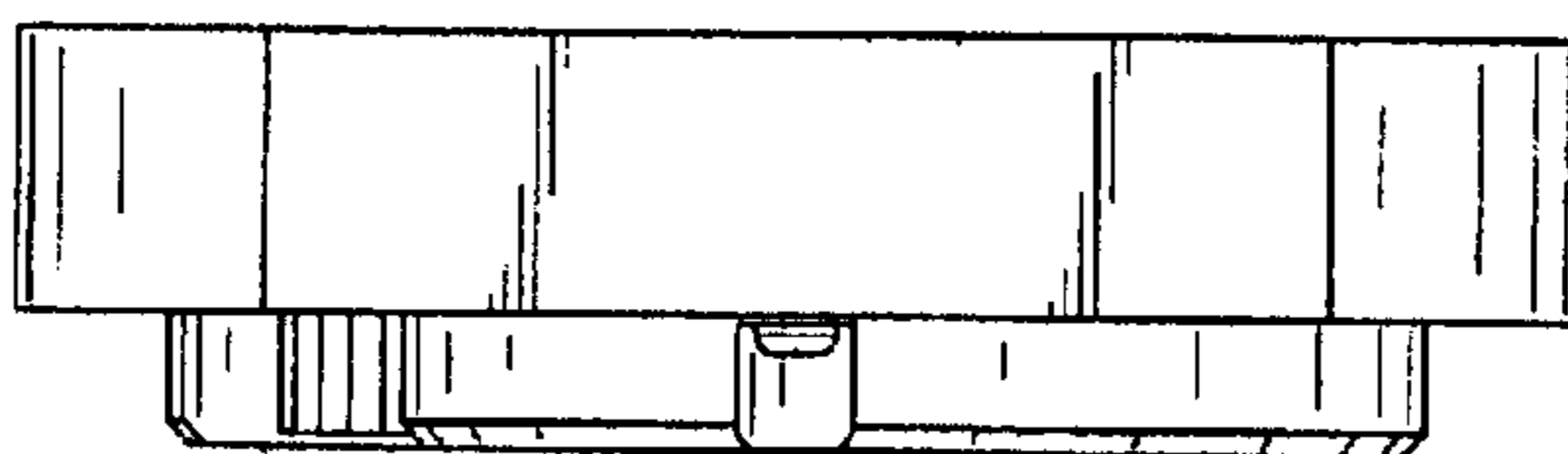


FIG. 6

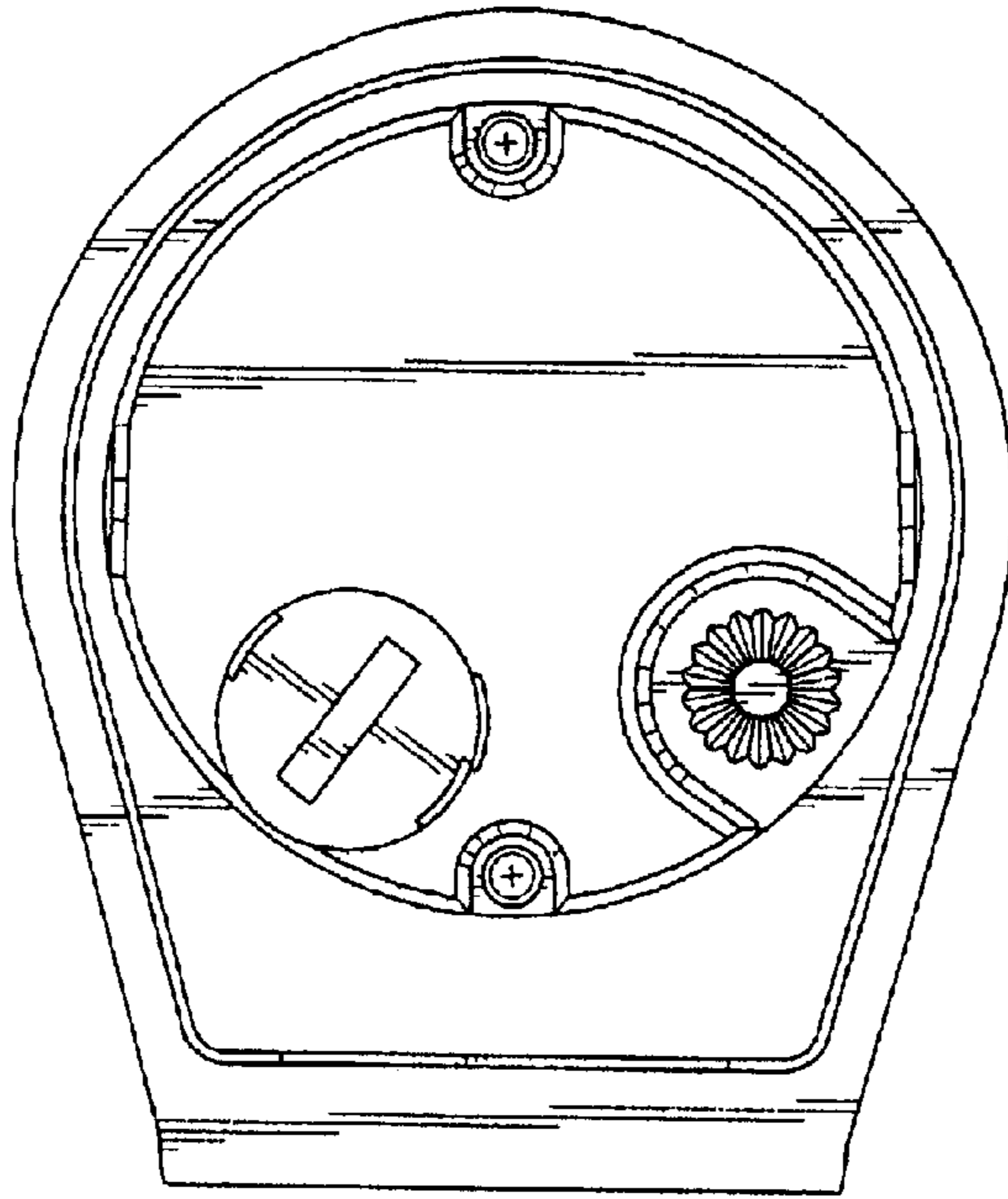


FIG. 7

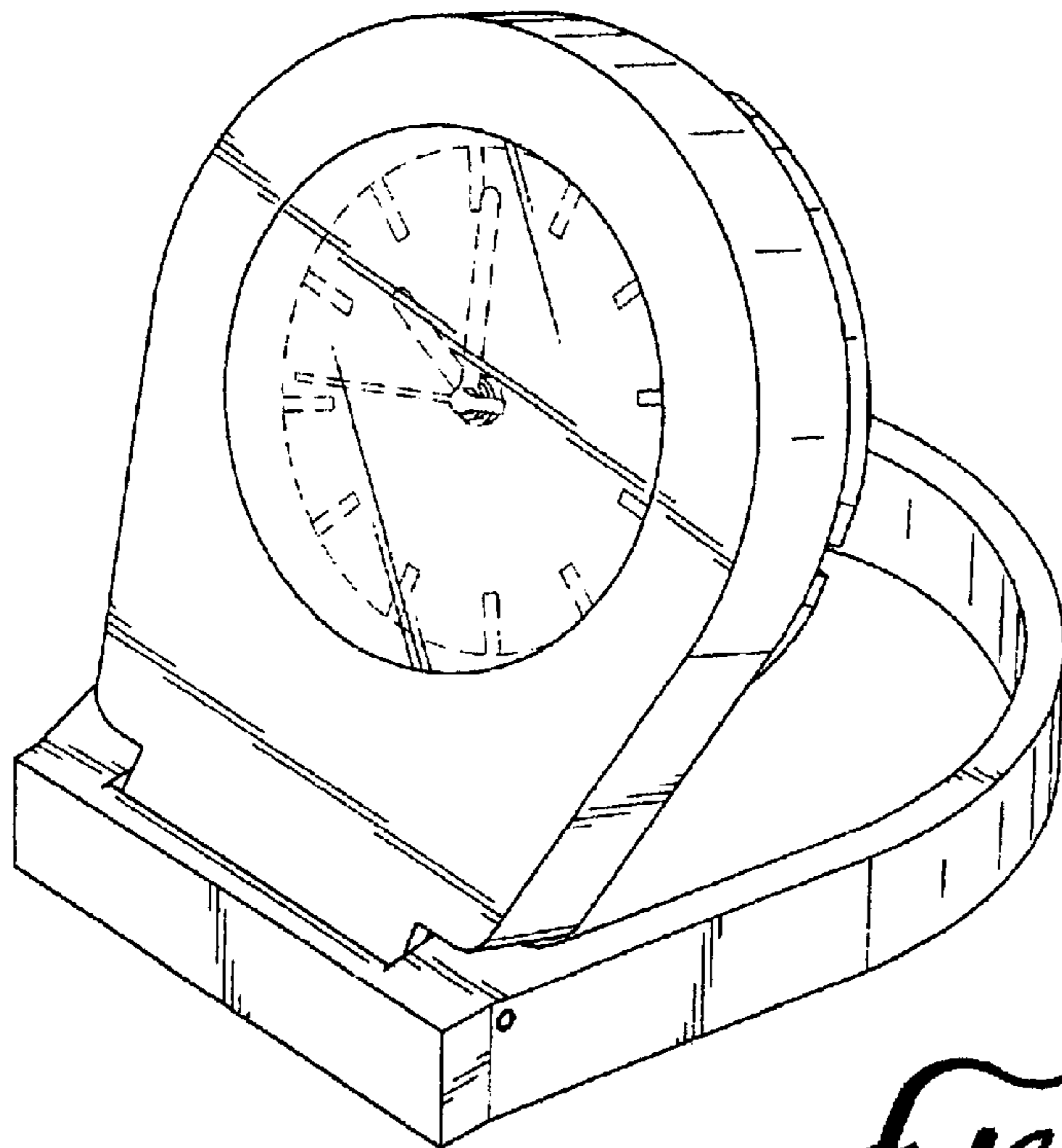


FIG. 8