



US00D531054S

(12) **United States Design Patent**
Sagel

(10) **Patent No.:** **US D531,054 S**

(45) **Date of Patent:** **** Oct. 31, 2006**

(54) **COMBINED CHIP AND DIP TRAY**

(75) Inventor: **Joseph Paul Sagel**, Plano, TX (US)

(73) Assignee: **Frito-Lay North America, Inc.**, Plano, TX (US)

(**) Term: **14 Years**

(21) Appl. No.: **29/229,299**

(22) Filed: **May 5, 2005**

(51) **LOC (8) Cl.** **09-03**

(52) **U.S. Cl.** **D9/737; D9/761; D9/424**

(58) **Field of Classification Search** D9/737,
D9/760, 761, 756, 758, 424, 425; D7/614;
D24/226; 229/120.011, 406, 407, 904, 238,
229/203, 123.1, 4.5, 5.5, 93; 206/427, 148,
206/429, 820, 485.1, 512, 588, 549; 220/23.8,
220/674, 675, 659, 657, 500, 507, 501, DIG. 12,
220/DIG. 13

See application file for complete search history.

(56) **References Cited**

U.S. PATENT DOCUMENTS

D292,379 S	*	10/1987	Pollitt	D9/761
D297,119 S	*	8/1988	Fontana et al.	D9/737
4,989,742 A	*	2/1991	Powell	220/23.4
D339,522 S	*	9/1993	Zoss	D9/737
D349,456 S	*	8/1994	Wilson	206/541
D351,997 S	*	11/1994	Finnah	D9/425
5,381,901 A	*	1/1995	Hundley	206/457
D366,187 S	*	1/1996	Van Den Kieboom	D7/553.1

D371,940 S	*	7/1996	Krupa	D7/549
D376,953 S	*	12/1996	Dunn	D7/549
D393,798 S	*	4/1998	Joswick	D9/737
D395,232 S	*	6/1998	Bryan et al.	D9/761
D420,855 S	*	2/2000	Hurley	D7/549
D421,365 S	*	3/2000	Miller et al.	D7/553.4
D424,426 S	*	5/2000	Fletcher	D9/737
D429,964 S	*	8/2000	Miller et al.	D7/553.4
6,152,302 A	*	11/2000	Miller et al.	206/549
6,412,637 B1	*	7/2002	Saunders et al.	206/541
D469,310 S	*	1/2003	Bukowski	D7/553.1
D494,463 S	*	8/2004	Tsao	D9/761

* cited by examiner

Primary Examiner—Stella Reid

Assistant Examiner—Mark Goodwin

(74) *Attorney, Agent, or Firm*—Colin P. Cahoon; Carstens & Cahoon, LLP

(57) **CLAIM**

The ornamental design for a combined chip and dip tray, as shown and described.

DESCRIPTION

FIG. 1 is a perspective view of a combined chip and dip tray showing my new design;

FIG. 2 is a left side elevation view thereof;

FIG. 3 is a front elevation view thereof;

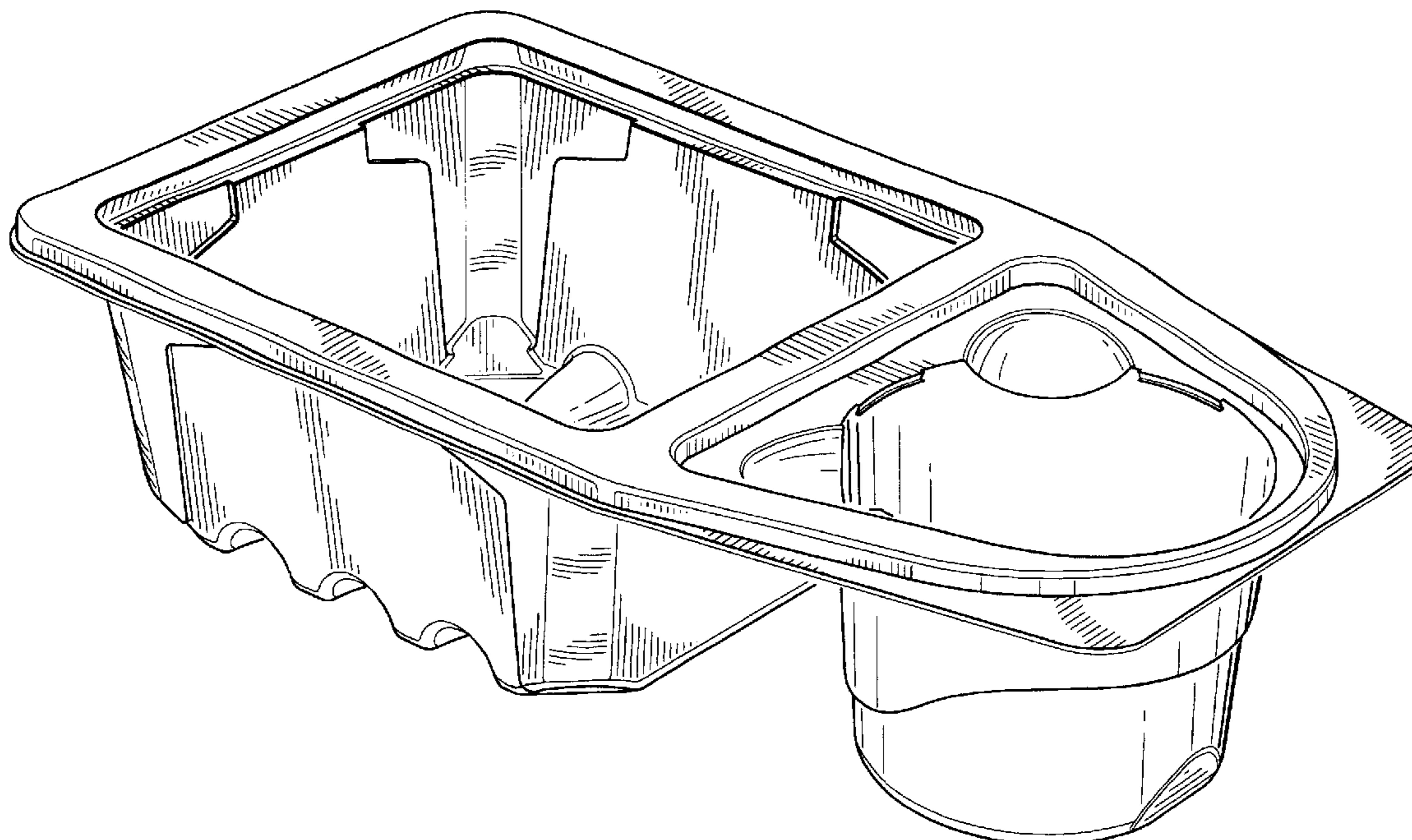
FIG. 4 is a rear elevation view thereof;

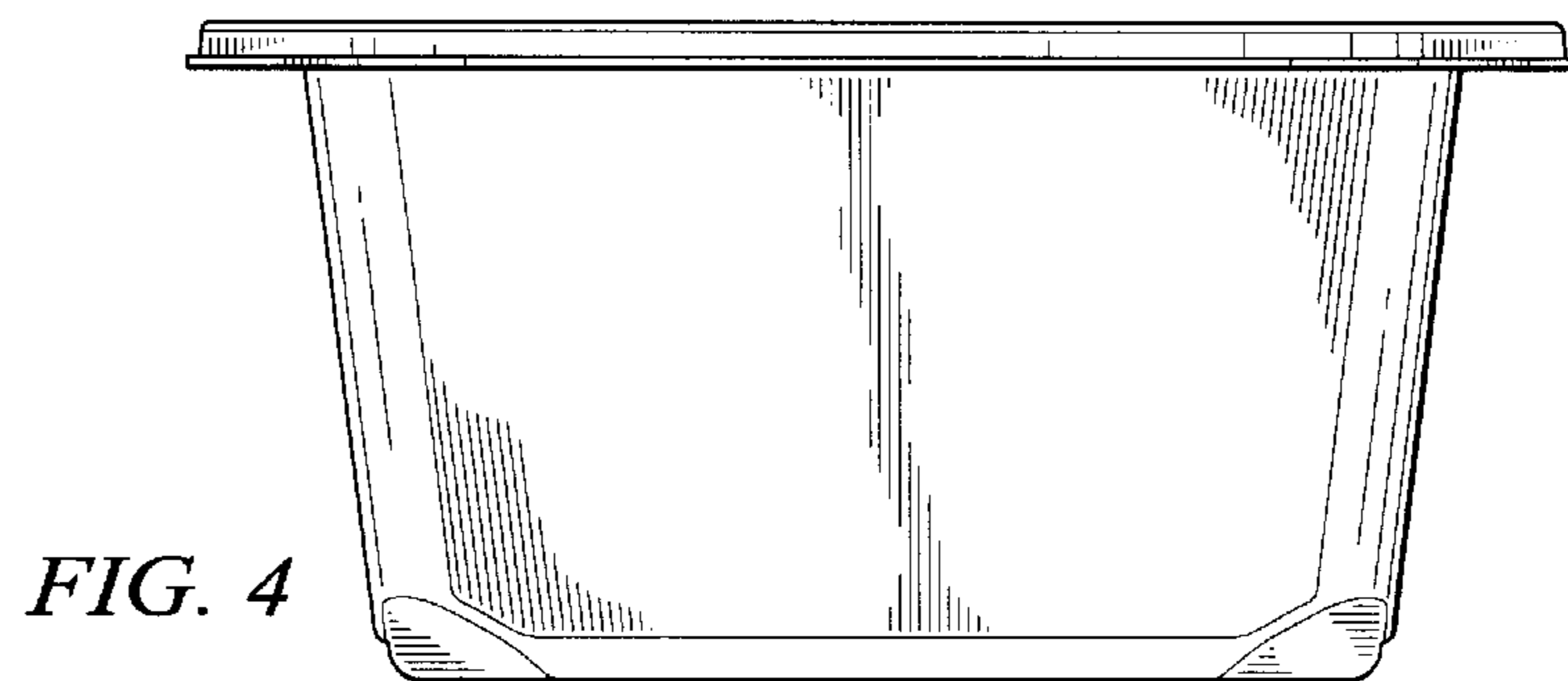
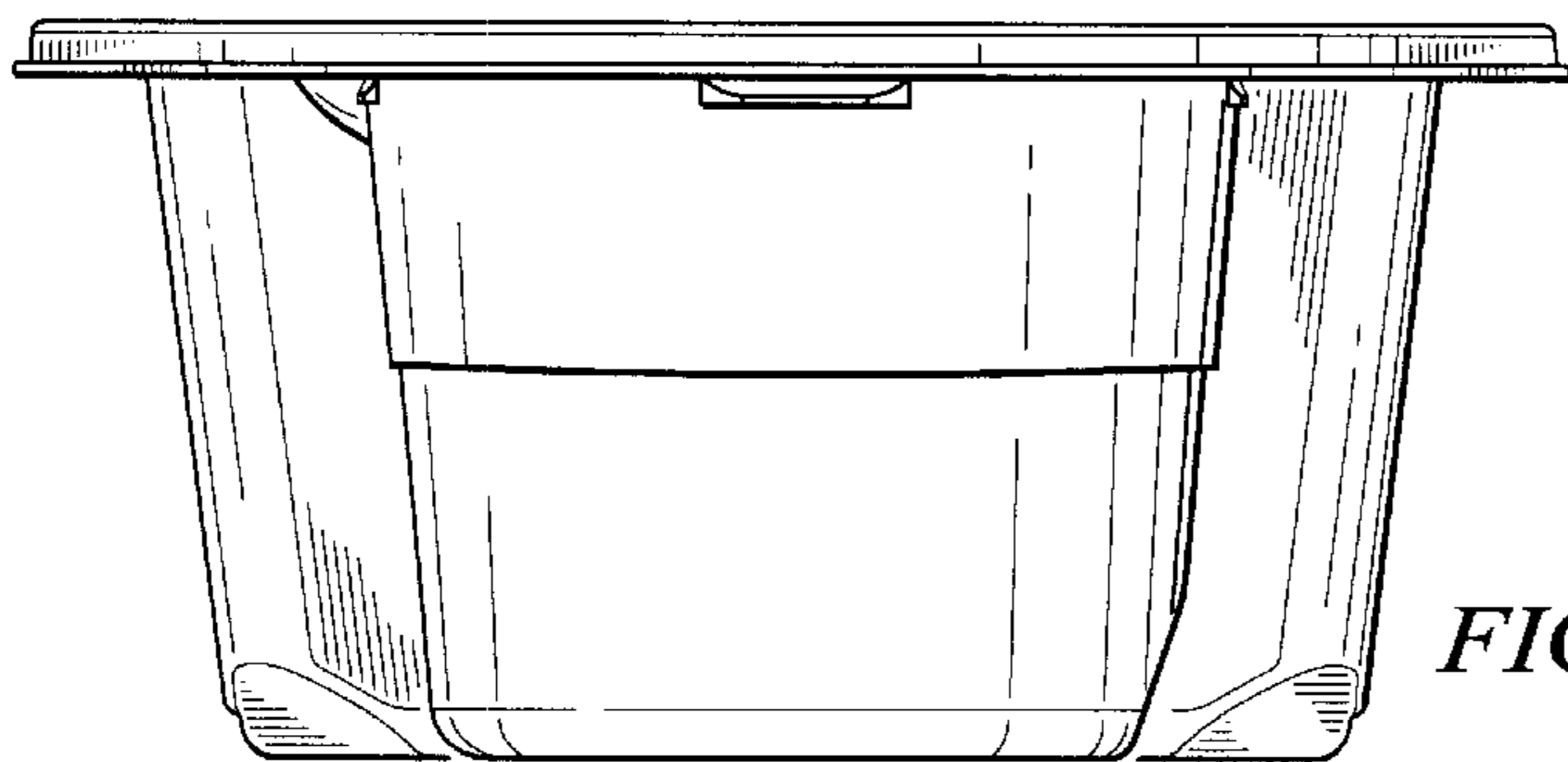
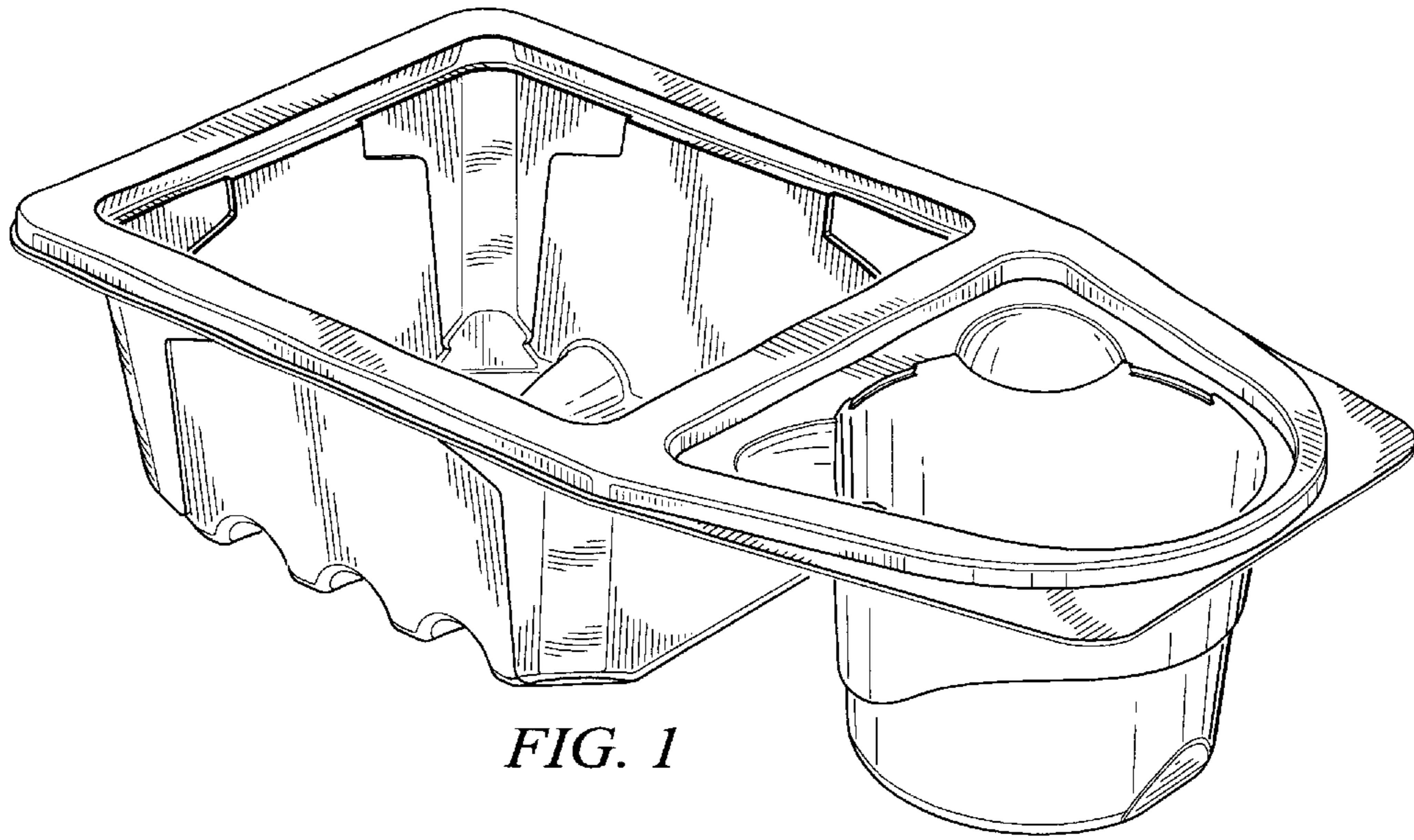
FIG. 5 is a right side elevation view thereof;

FIG. 6 is a top plan view thereof; and,

FIG. 7 is a bottom plan view thereof.

1 Claim, 4 Drawing Sheets





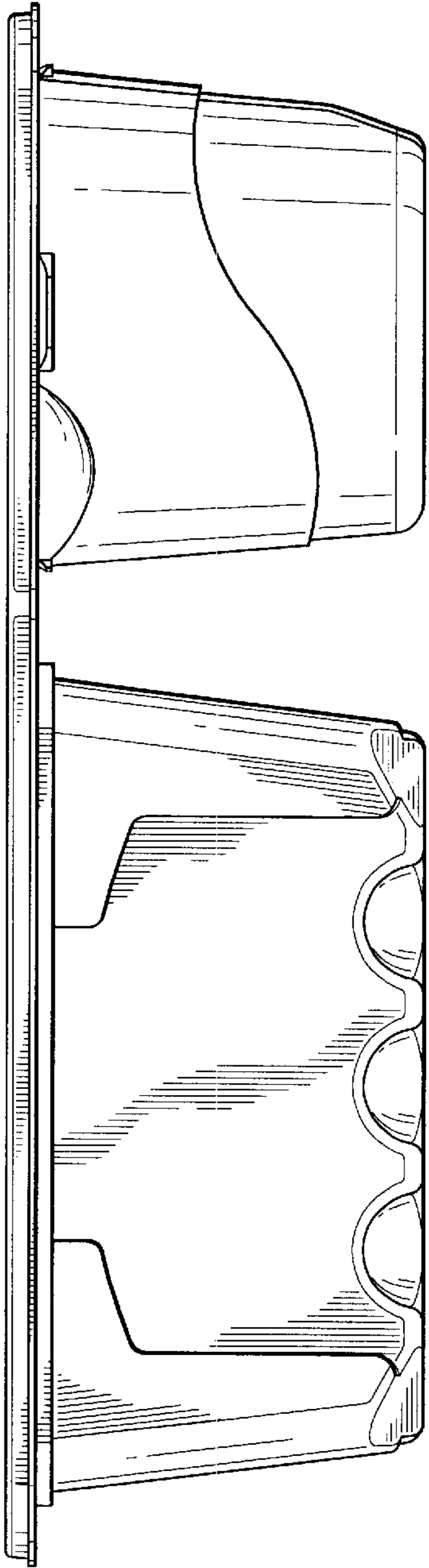


FIG. 2

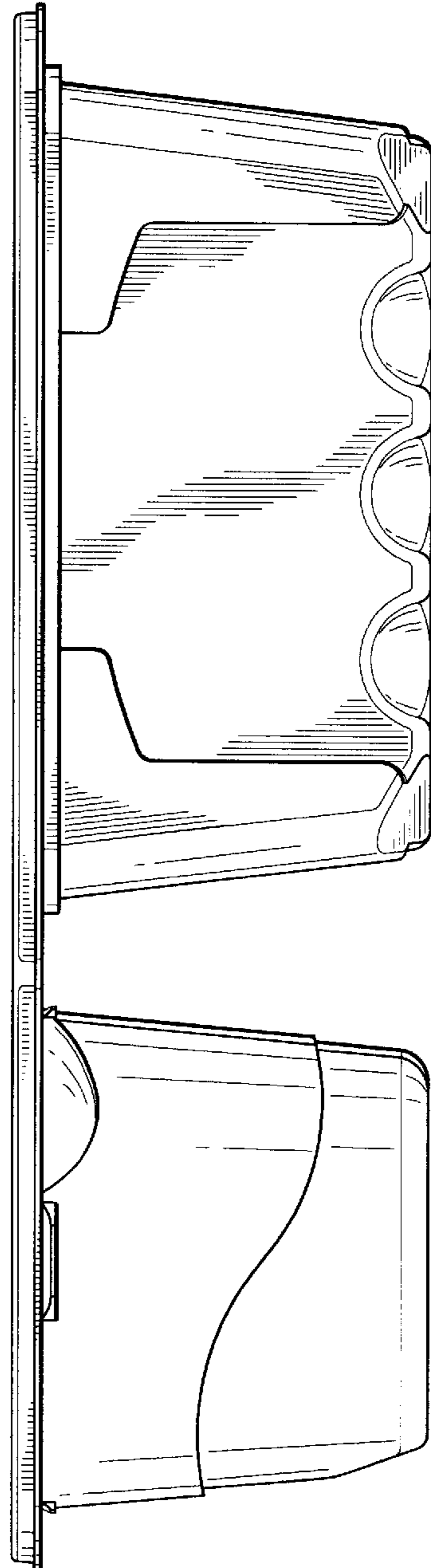


FIG. 5

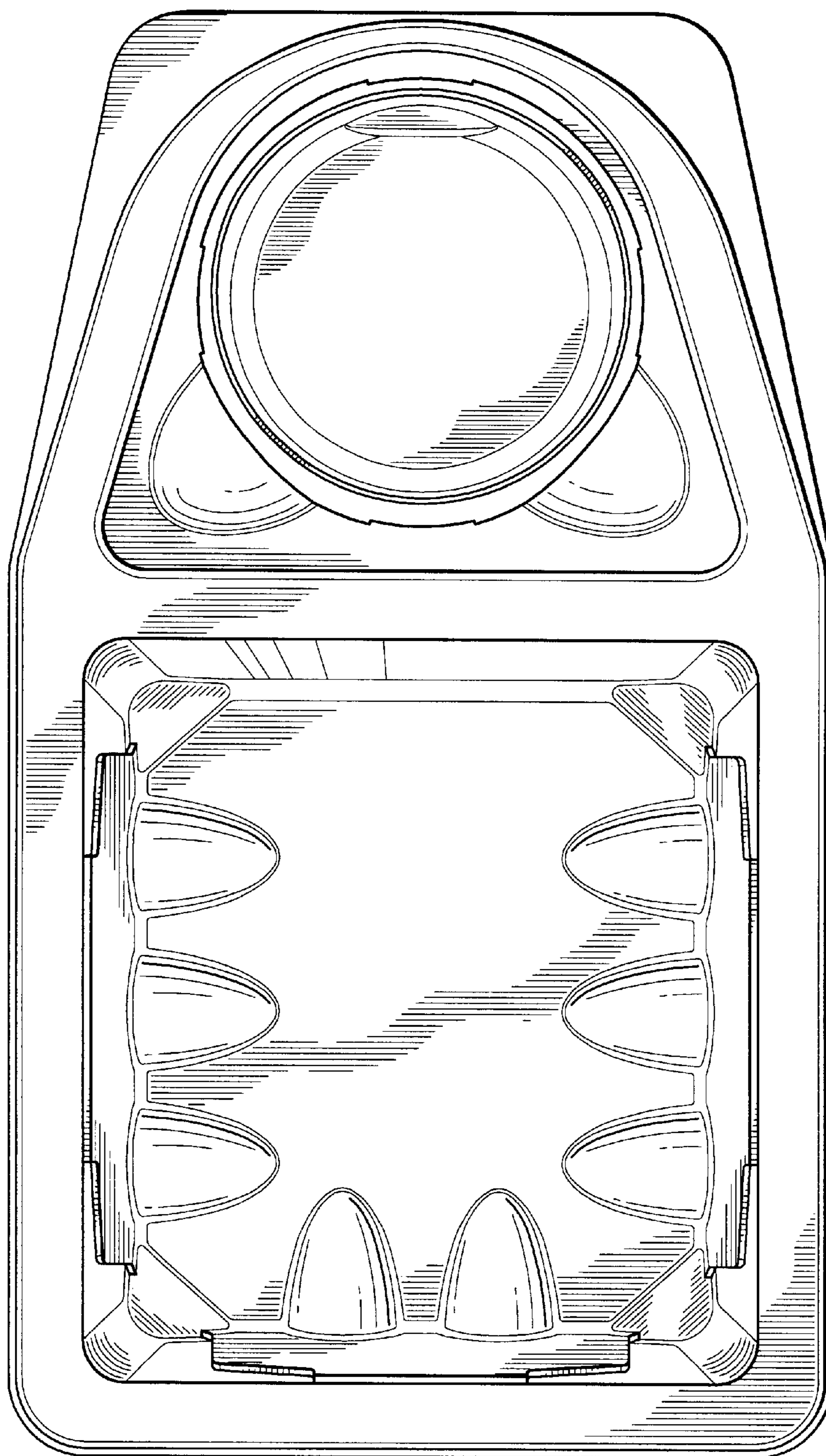


FIG. 6

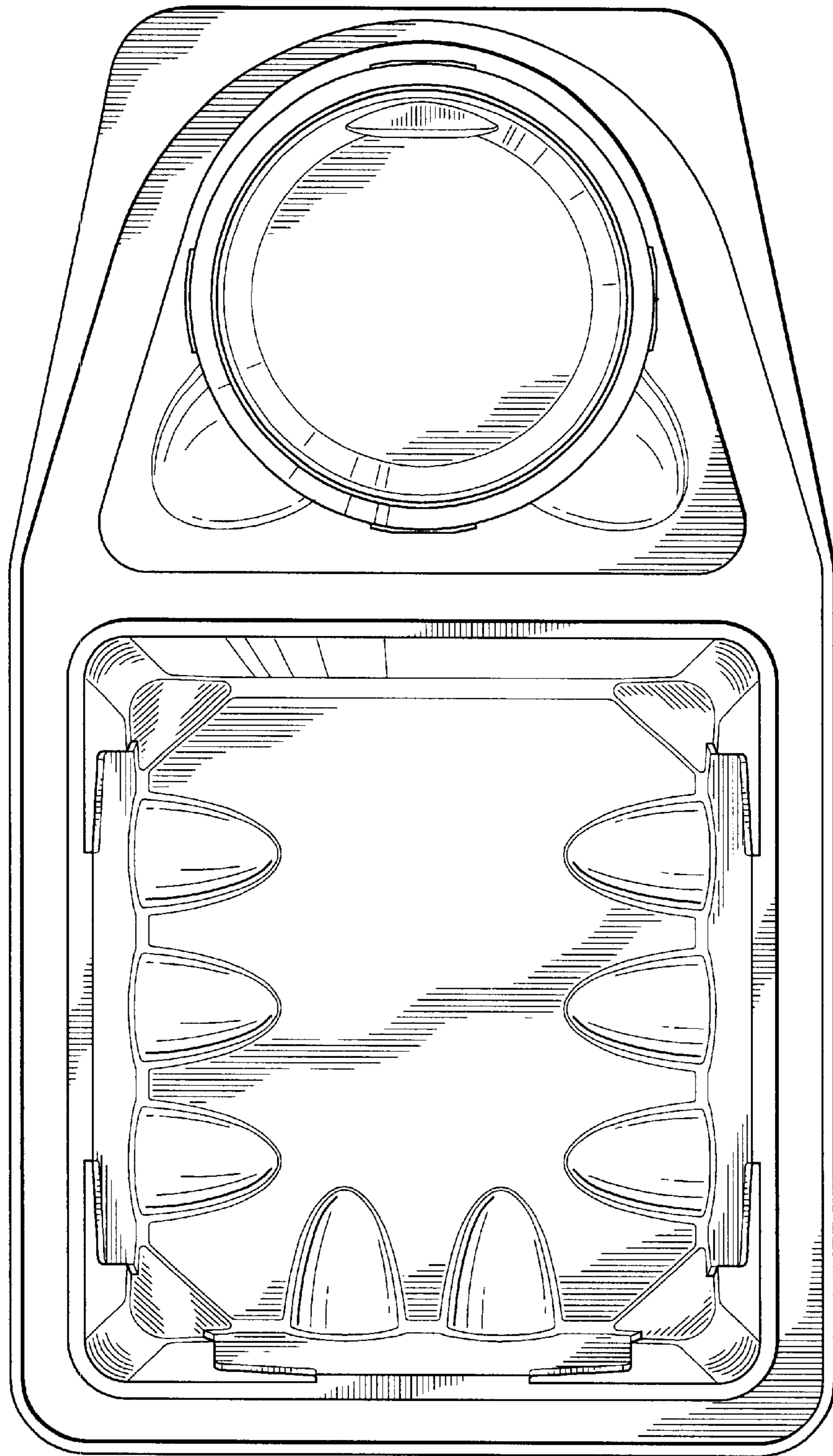


FIG. 7