



US00D531053S

(12) **United States Design Patent**
McConville et al.

(10) **Patent No.:** **US D531,053 S**
(45) **Date of Patent:** **** Oct. 31, 2006**

(54) **COSMETIC CONTAINER**

(75) Inventors: **Su-Yon McConville**, Mason, OH (US);
Michael John Bolander, Loveland, OH
(US); **Joel James Kashuba**, Cincinnati,
OH (US); **Jonathan Arnold Lee**,
Milford, CT (US); **Matthew Luke**
Prancuk, Brookfield, CT (US); **Javier**
Verdura, Milford, CT (US)

(73) Assignee: **The Procter & Gamble Company**,
Cincinnati, OH (US)

(**) Term: **14 Years**

(21) Appl. No.: **29/244,240**

(22) Filed: **Dec. 7, 2005**

(51) **LOC (8) Cl.** **09-01**

(52) **U.S. Cl.** **D9/729**

(58) **Field of Classification Search** D9/723,
D9/726-729, 529, 573, 414, 424; D19/66;
D23/366; D28/4, 7, 9, 44, 44.1, 73, 76; 206/407,
206/438, 527, 823; 221/208, 209, 288-290;
222/173, 465.1, 544, 548

See application file for complete search history.

(56) **References Cited**

U.S. PATENT DOCUMENTS

D292,069 S * 9/1987 Keeler et al. D9/729

D337,052 S * 7/1993 Anderson D9/424
D340,644 S * 10/1993 Hirst D9/424
D352,458 S * 11/1994 Gray D9/729
D354,434 S * 1/1995 Nilssen D9/729
D367,608 S * 3/1996 Stranders D9/424
D455,647 S * 4/2002 Cummings D9/729
D478,809 S * 8/2003 Cummings D9/729
D484,806 S * 1/2004 Cummings D9/529
D485,495 S * 1/2004 Cummings D9/529
D517,426 S * 3/2006 Shurtleff et al. D9/729

* cited by examiner

Primary Examiner—Nanda Bondade

Assistant Examiner—Shanda C. Hill

(74) *Attorney, Agent, or Firm*—Andrew J. Hagerty; Kenya
T. Pierre; Tara M. Rosnell

(57) **CLAIM**

The ornamental design for a cosmetic container, as shown
and described.

DESCRIPTION

FIG. 1 is a front perspective view of a cosmetic container
showing our new design;

FIG. 2 is a front view thereof;

FIG. 3 is a back view thereof;

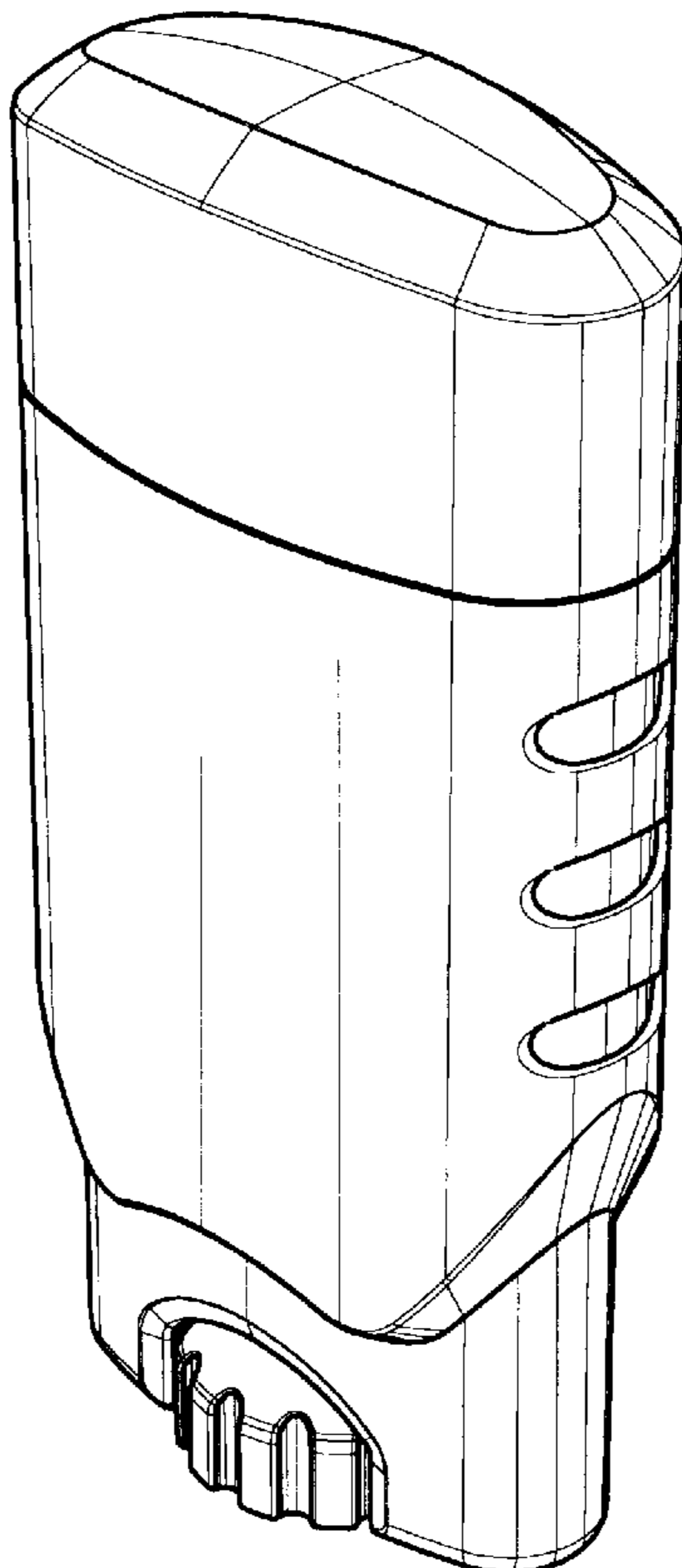
FIG. 4 is a right side view thereof;

FIG. 5 is a left side view thereof;

FIG. 6 is a top view thereof; and,

FIG. 7 is a bottom view thereof.

1 Claim, 7 Drawing Sheets



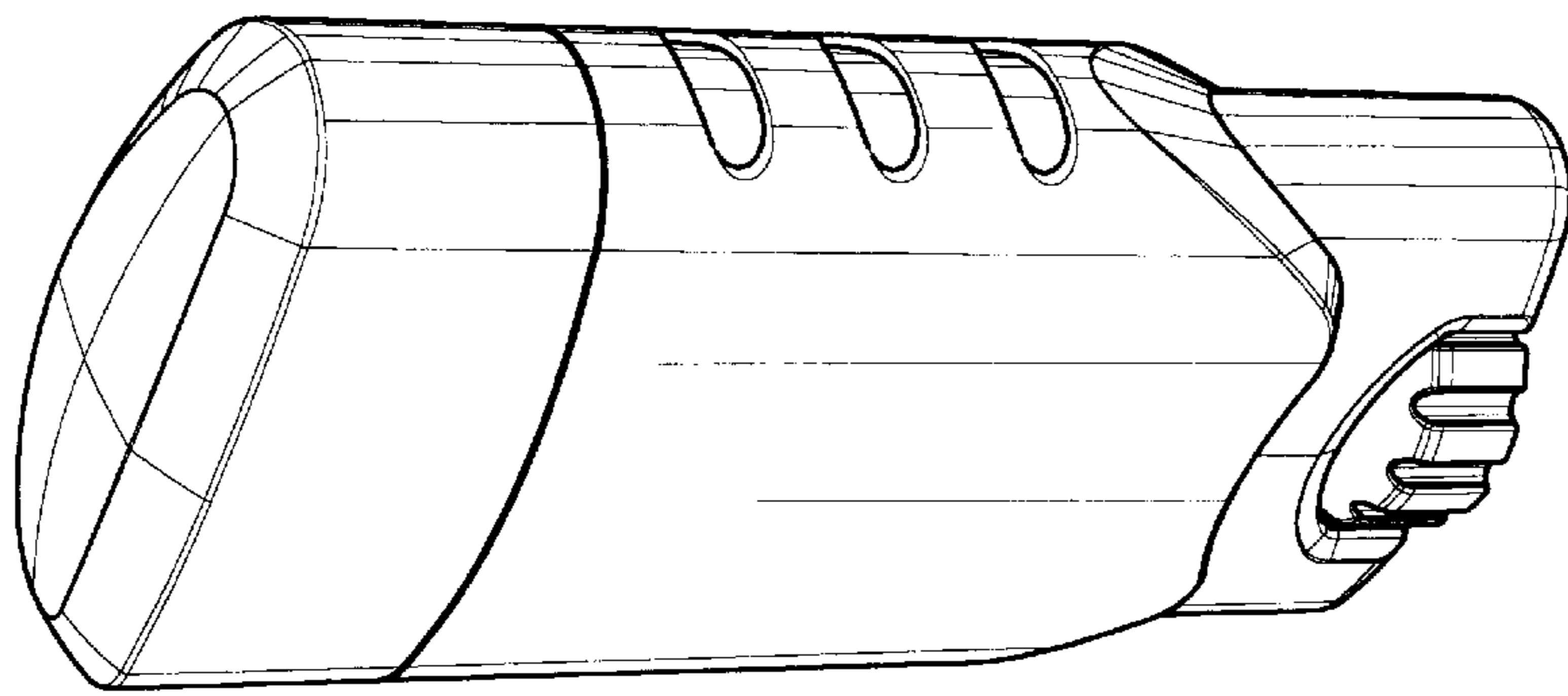


Fig. 1

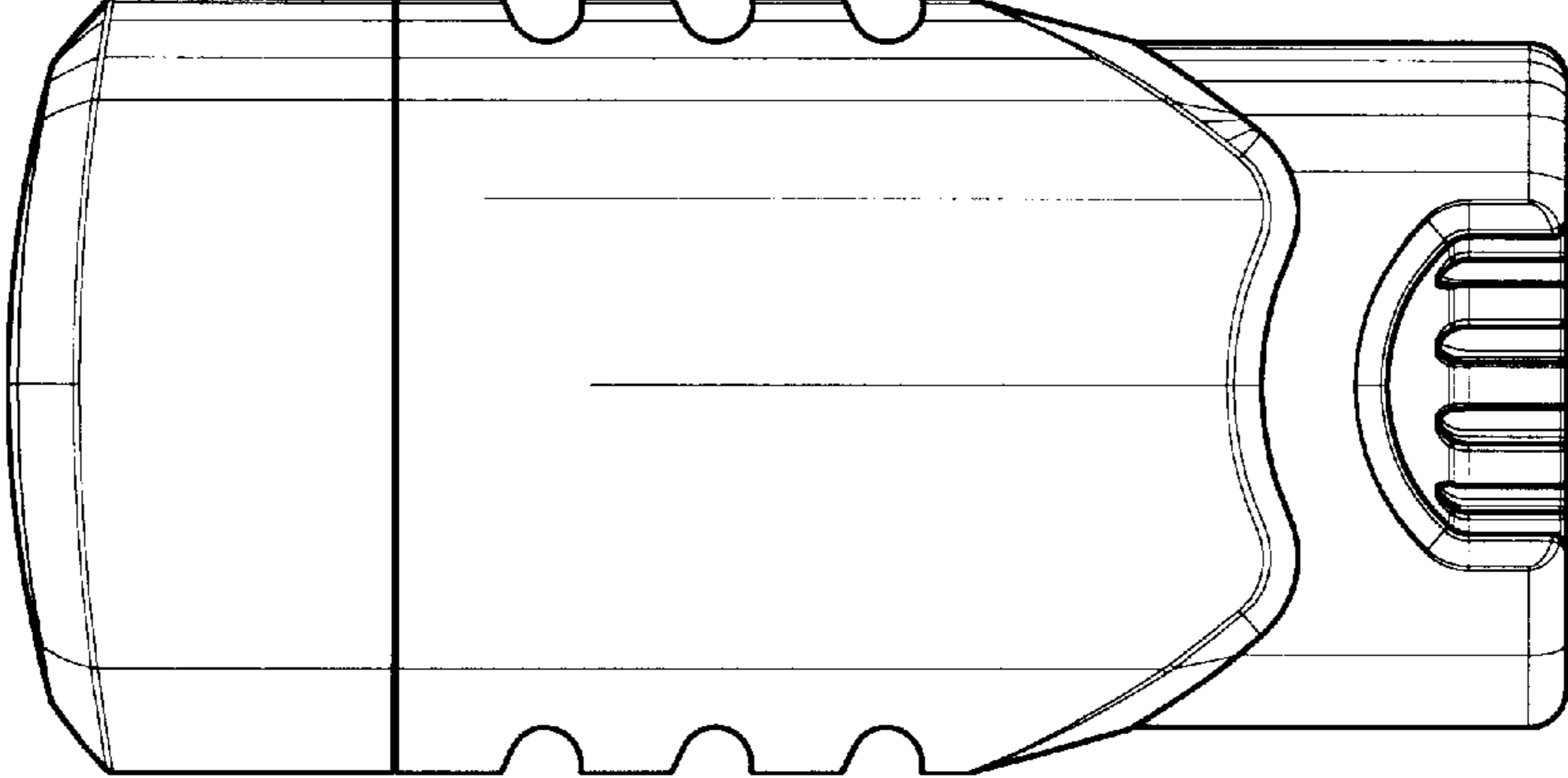


Fig. 2

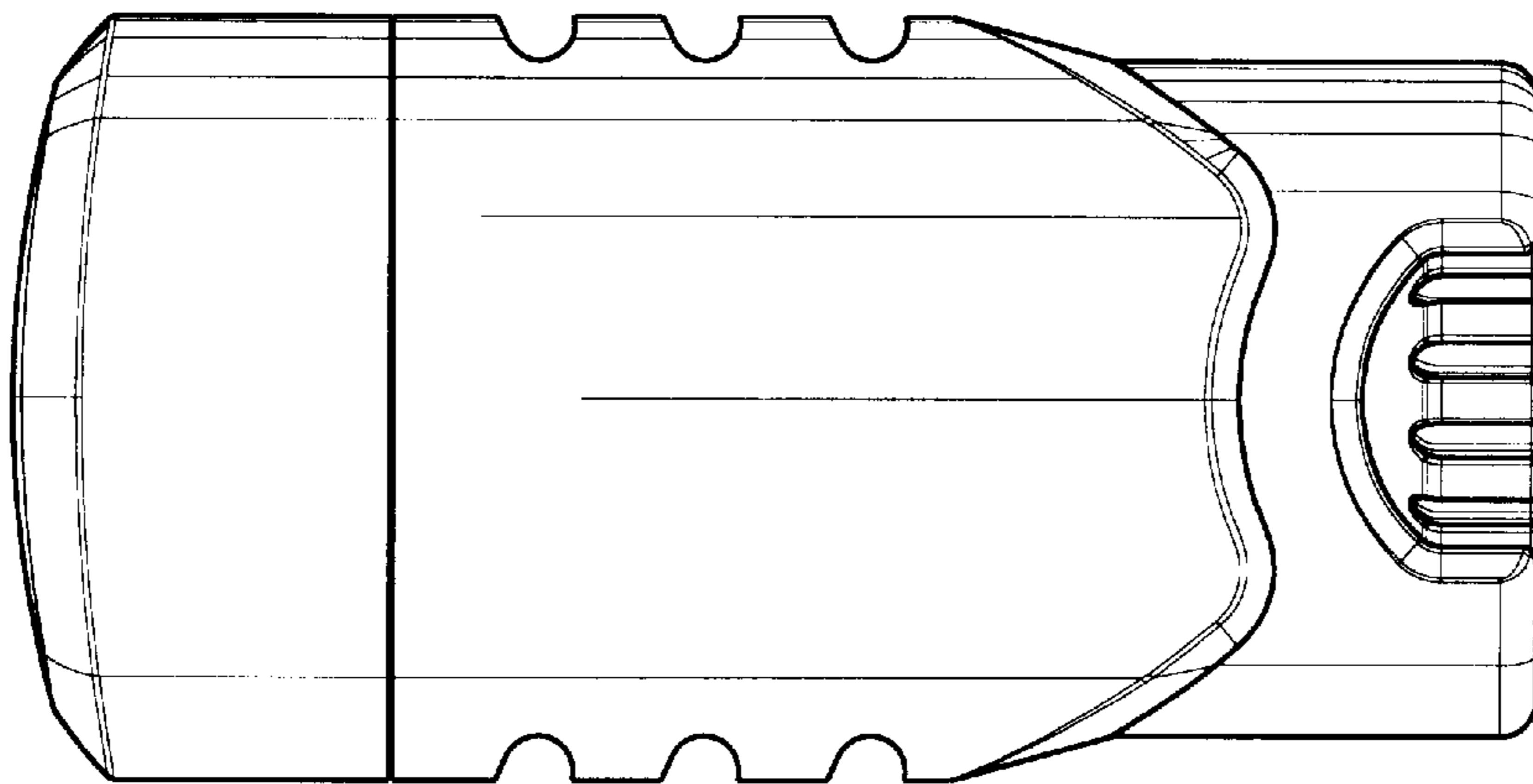


Fig. 3

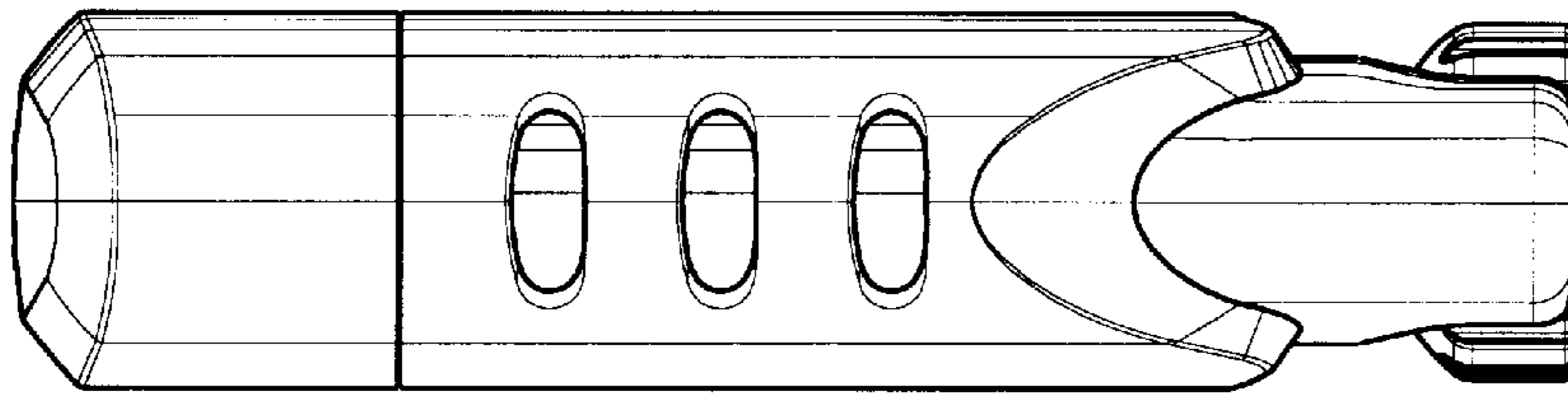


Fig. 4

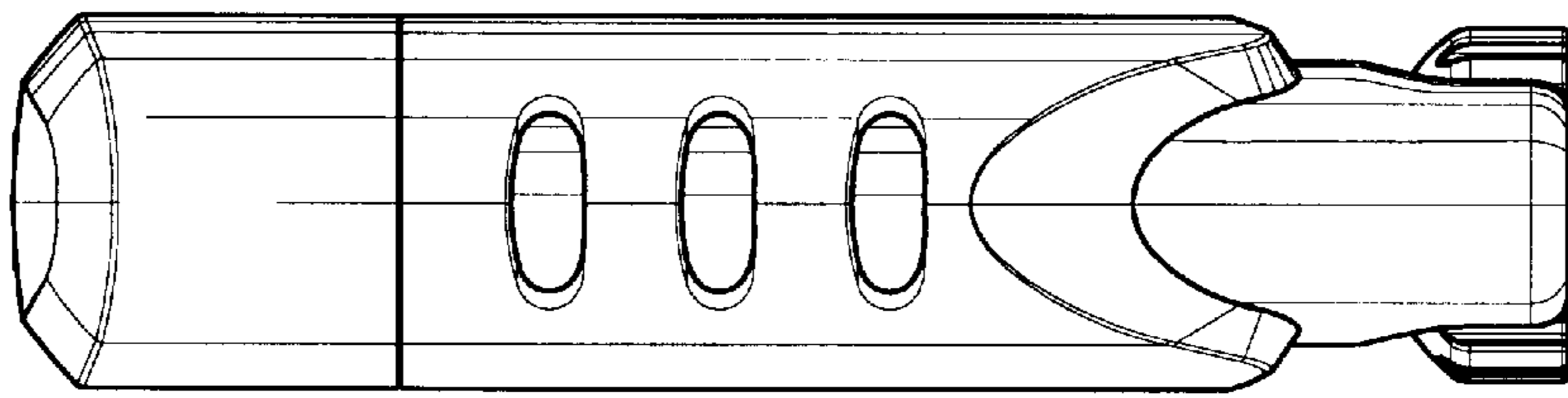


Fig. 5

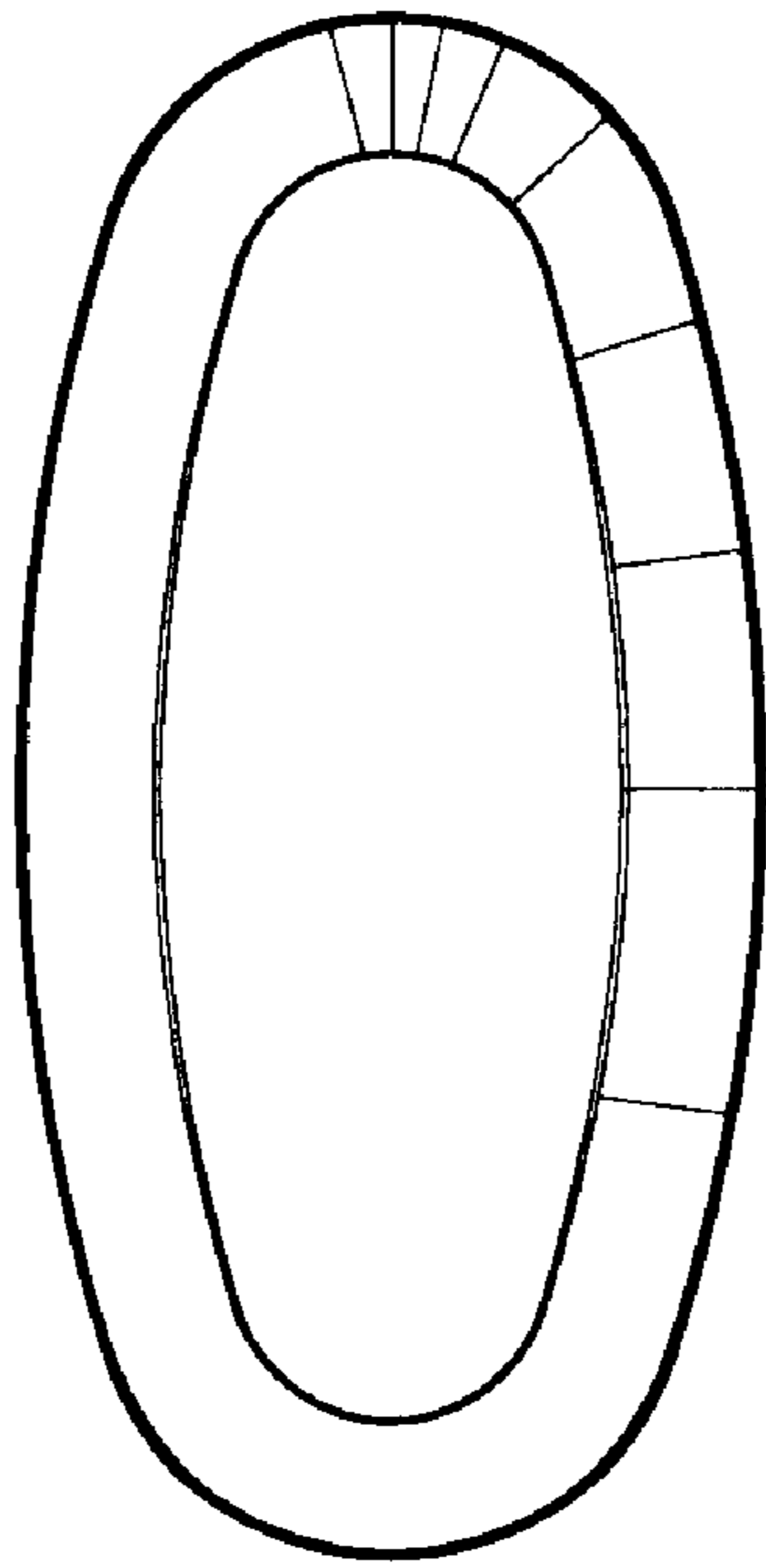


Fig. 6

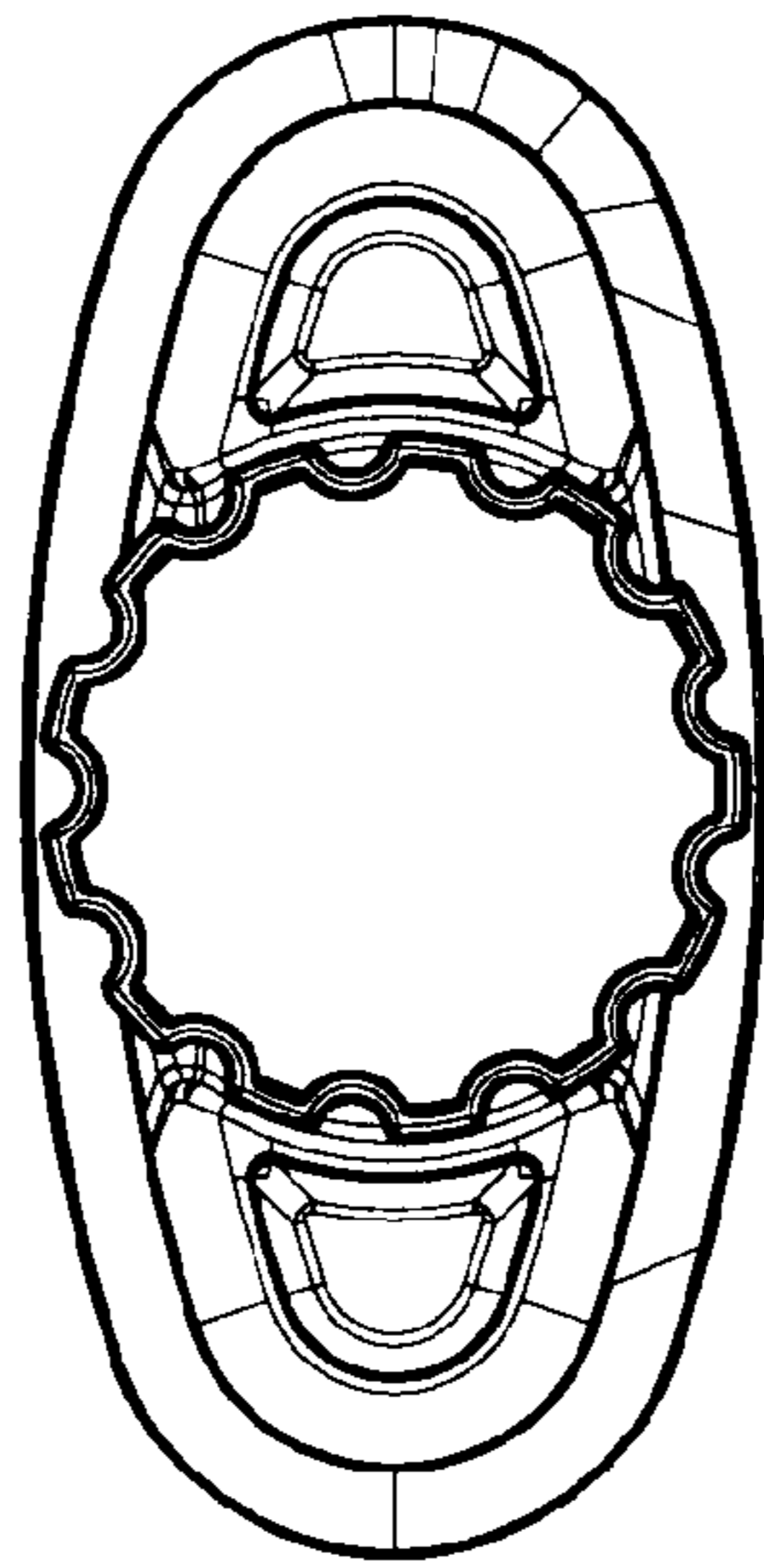


Fig. 7