

US00D531051S

(12) **United States Design Patent**  
**Dlugolecki**

(10) **Patent No.: US D531,051 S**

(45) **Date of Patent: \*\* Oct. 31, 2006**

(54) **KIT OF CHEMICAL COMPONENT PRODUCTS PLACED IN A TRANSPARENT PACKAGE**

(76) Inventor: **Jacek Dlugolecki**, ul. Grunwaldzka 607  
C/4, Gdansk (PL), 80-337

(\*\*) Term: **14 Years**

(21) Appl. No.: **29/223,449**

(22) Filed: **Feb. 15, 2005**

(30) **Foreign Application Priority Data**

Sep. 10, 2004 (PL) ..... P-370024

(51) **LOC (8) Cl. .... 09-03**

(52) **U.S. Cl. .... D9/720**

(58) **Field of Classification Search** ..... D9/715,  
D9/720, 721, 414, 415, 418, 702, 703, 711,  
D9/713, 717; D3/201-206.7; 600/6.12; D24/100,  
D24/107, 112, 114, 130-133, 136, 232; 427/2.28;  
128/917, 919; 206/207, 216, 527, 823; 416/57  
See application file for complete search history.

(56) **References Cited**

**U.S. PATENT DOCUMENTS**

513,477 A \* 1/1894 Etheredge et al. .... 416/57  
5,115,816 A \* 5/1992 Lee ..... D24/130  
D333,347 S \* 2/1993 Kemp et al. .... D24/131

D336,847 S \* 6/1993 Flanders ..... D9/715  
D338,957 S \* 8/1993 de Faire et al. .... D24/130  
D377,687 S \* 1/1997 Udovch ..... D24/114  
D383,205 S \* 9/1997 Pagay et al. .... D24/112  
D497,543 S \* 10/2004 Buckley ..... D9/703  
D512,649 S \* 12/2005 Hunter ..... D9/703  
D513,595 S \* 1/2006 Weber et al. .... D9/711

\* cited by examiner

*Primary Examiner*—Nanda Bondade  
*Assistant Examiner*—Shanda C. Hill

(57) **CLAIM**

The ornamental design for a kit of chemical component products placed in a transparent package, as shown and described.

**DESCRIPTION**

FIG. 1 is a perspective view of a kit of chemical component products placed in a transparent package showing my new design;

FIG. 2 is a front elevational view thereof;

FIG. 3 is a rear elevational view thereof;

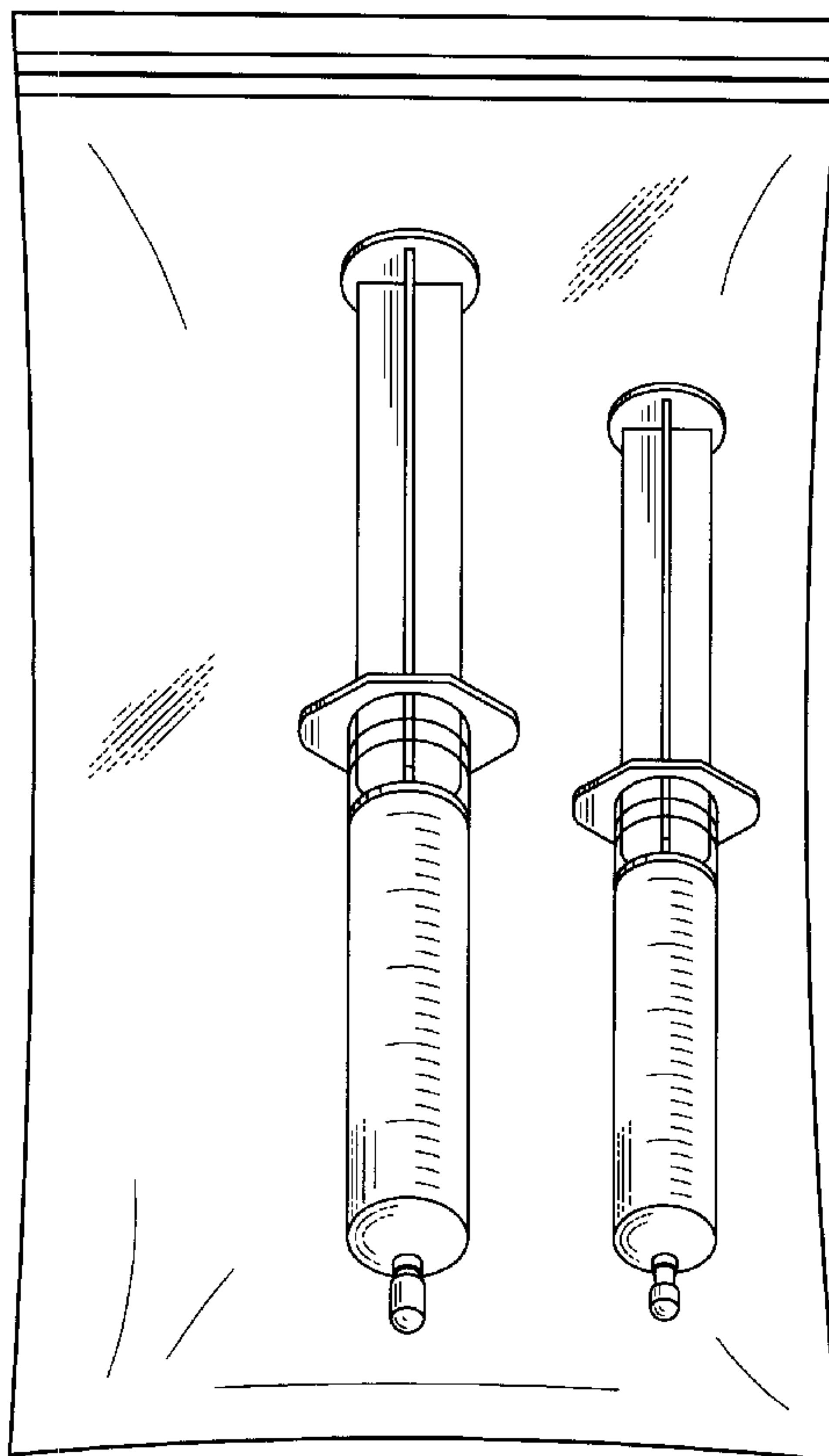
FIG. 4 is a bottom plan view thereof;

FIG. 5 is a top plan view thereof;

FIG. 6 is a left side elevational view thereof; and,

FIG. 7 is a right side elevational view thereof.

**1 Claim, 5 Drawing Sheets**



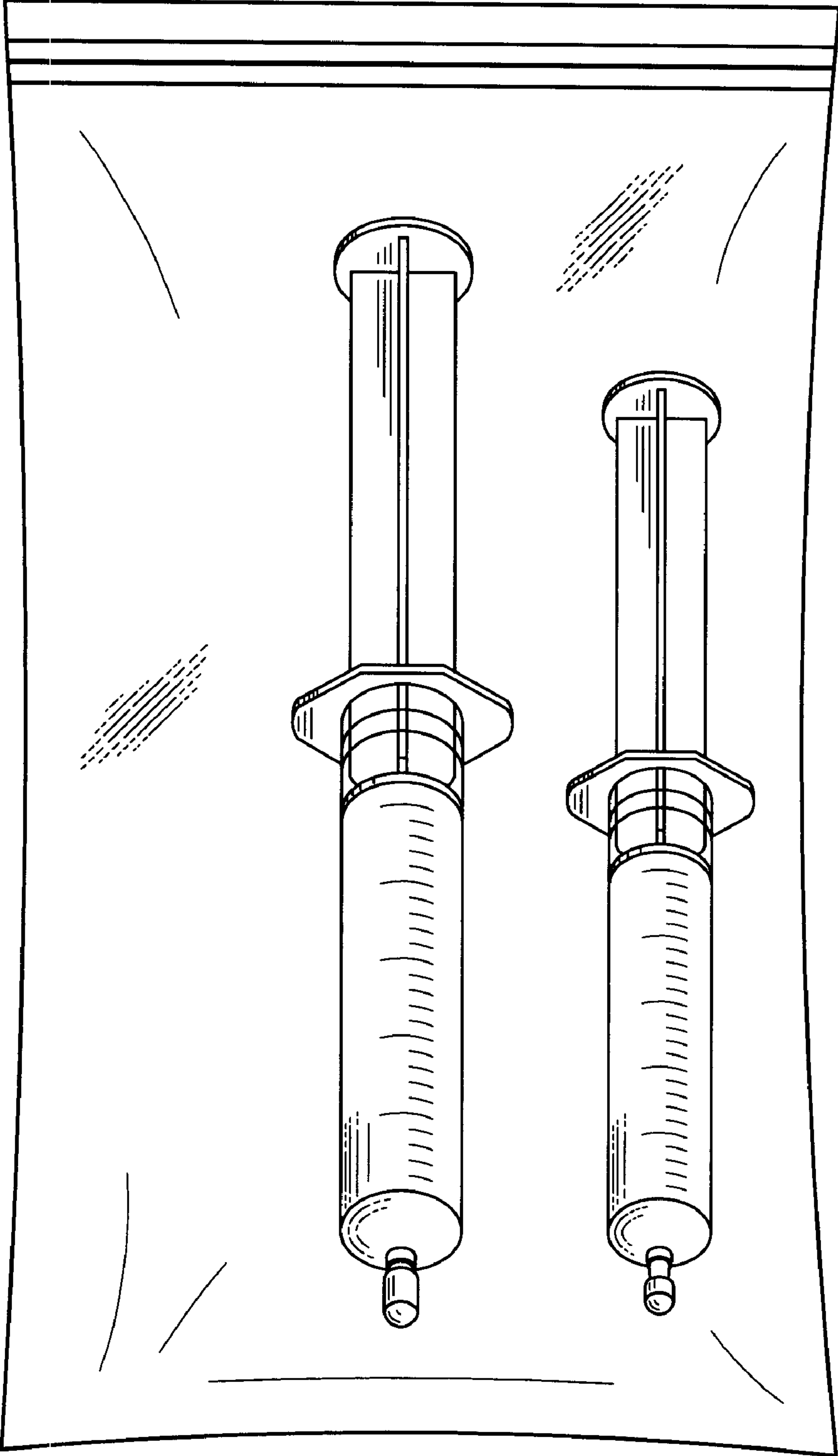


Fig. 1

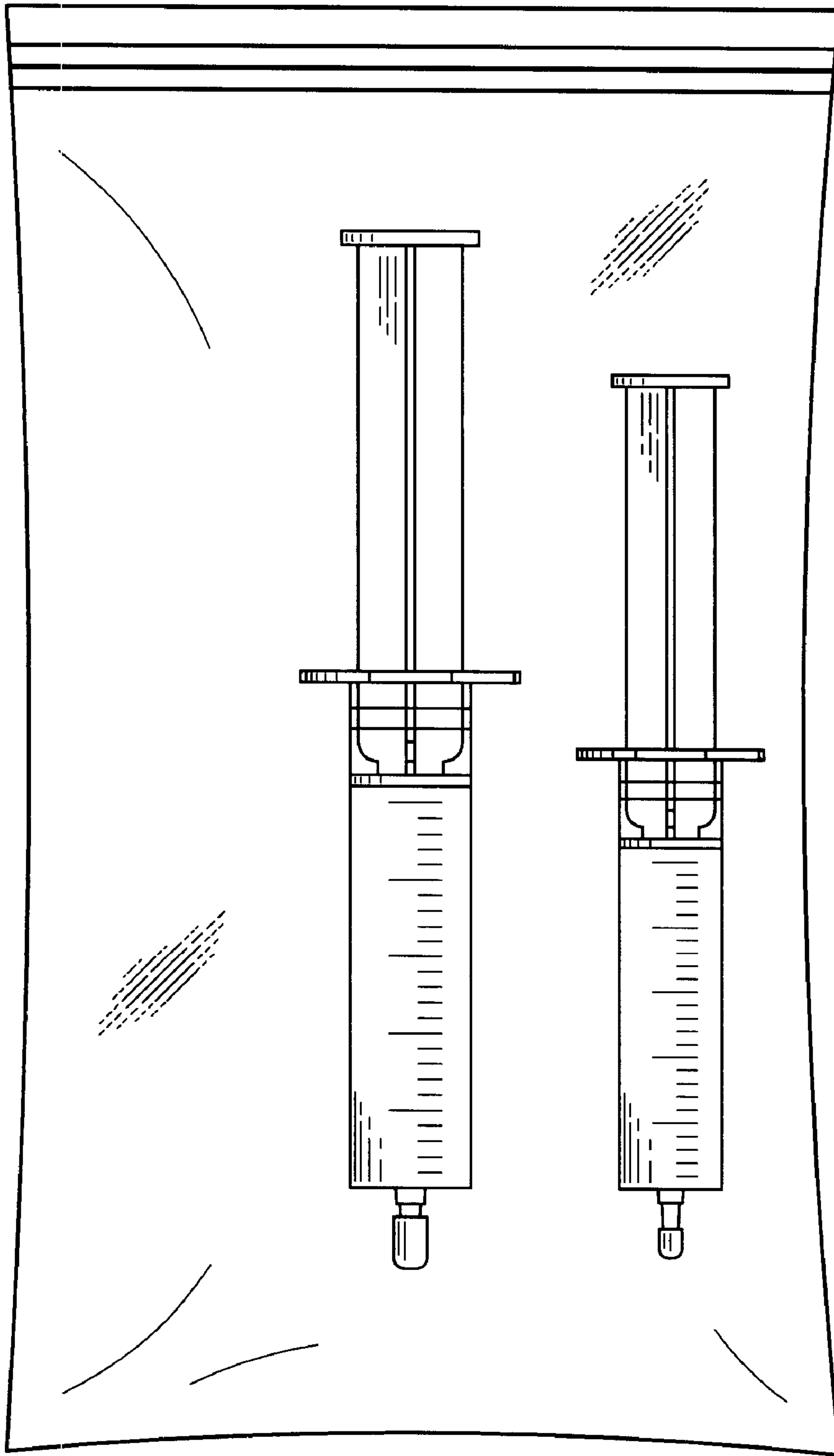


Fig.2

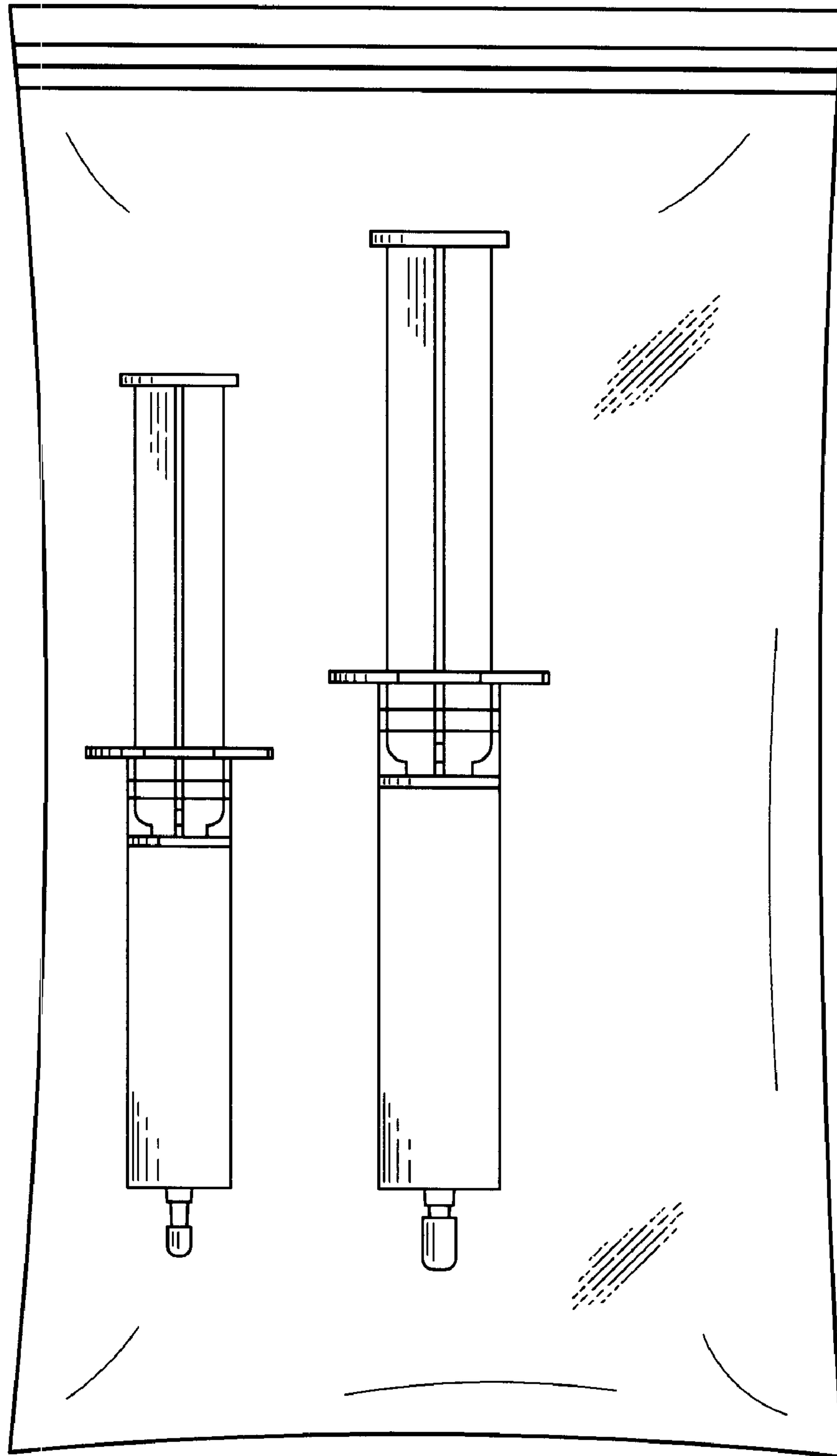


Fig.3

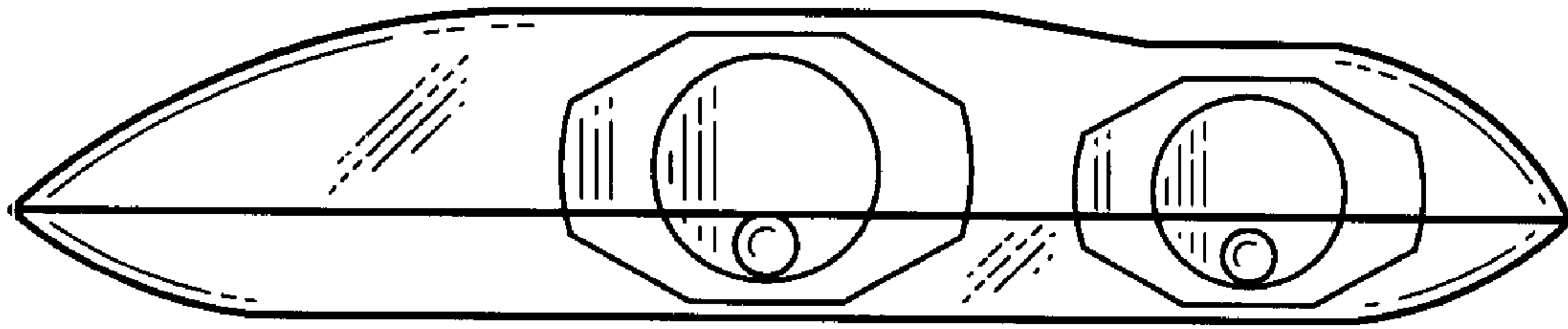


Fig. 4

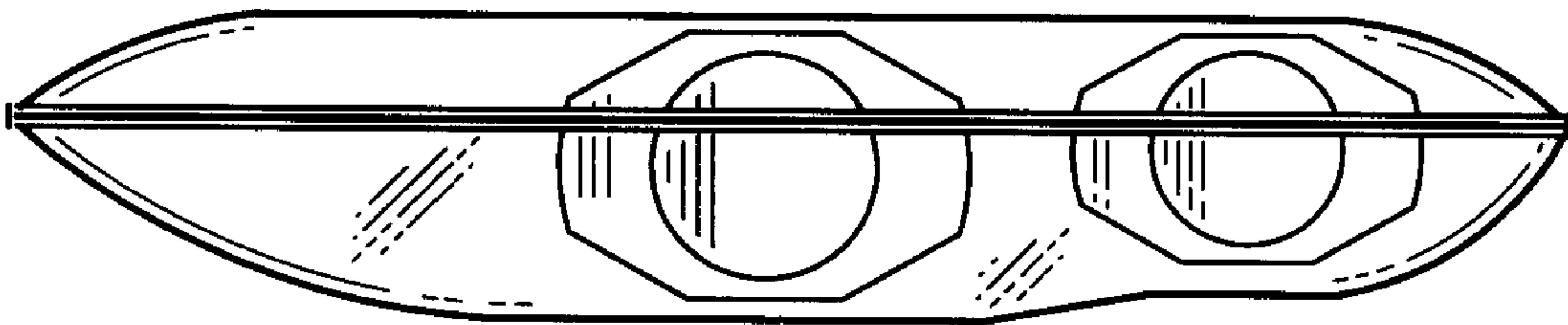


Fig. 5

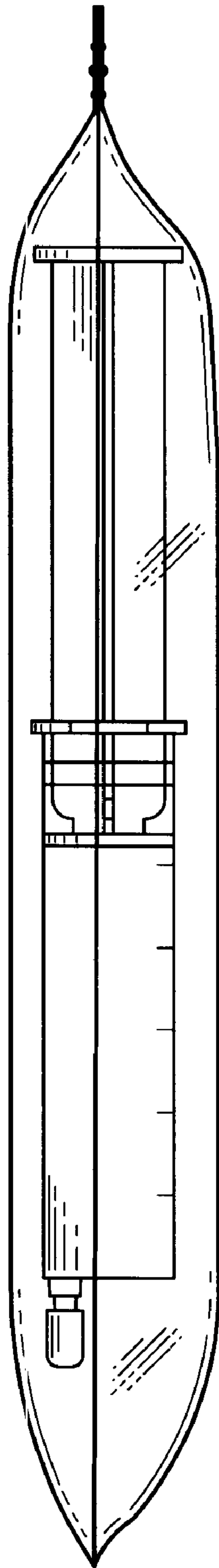


Fig. 6

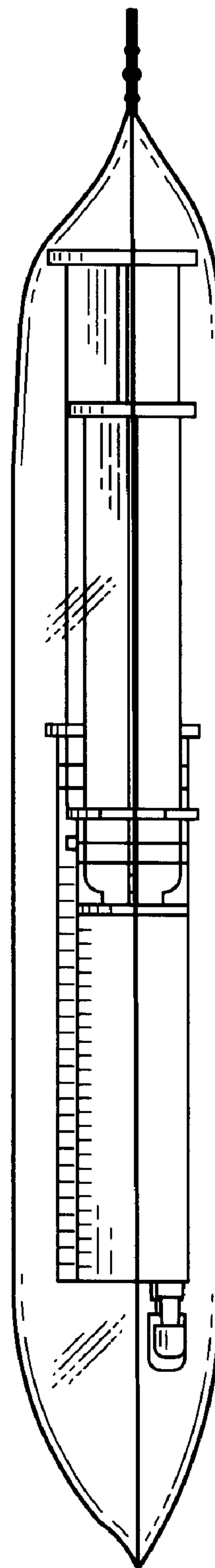


Fig. 7