

US00D531049S

(12) **United States Design Patent**
De France

(10) **Patent No.:** **US D531,049 S**

(45) **Date of Patent:** **** Oct. 31, 2006**

(54) **BOTTLE**

(75) Inventor: **Sylvie De France**, Paris (FR)

(73) Assignee: **Salvatore Ferragamo Italia, S.p.A.**,
Firenze (IT)

(**) Term: **14 Years**

(21) Appl. No.: **29/227,005**

(22) Filed: **Apr. 3, 2005**

(30) **Foreign Application Priority Data**

Jan. 24, 2005 (EM) 000284161

(51) **LOC (8) Cl.** **09-01**

(52) **U.S. Cl.** **D9/686**; D9/682

(58) **Field of Classification Search** D9/448,
D9/566, 640, 682, 686-688, 691-694, 727;
D28/83, 90, 91.1; 222/399, 400.5, 402.1,
222/402.2, 402.25, 411

See application file for complete search history.

(56) **References Cited**

U.S. PATENT DOCUMENTS

- D15,813 S * 2/1885 Scott et al. D9/566
- D61,829 S * 1/1923 Javal D9/544
- D94,786 S * 3/1935 Stein D9/566
- D222,825 S * 1/1972 Newman D9/687
- D299,429 S * 1/1989 Dinand D9/566
- D309,860 S * 8/1990 Fossati D9/529

- D453,106 S * 1/2002 Peltrault D9/687
- D463,264 S * 9/2002 De Baschmakoff D9/687
- 2002/0003152 A1 * 1/2002 Garcia 222/321.9

* cited by examiner

Primary Examiner—Prabhakar Deshmukh

Assistant Examiner—Jean E. McCormick

(74) *Attorney, Agent, or Firm*—Pollack, P.C.; Grant E. Pollack

(57) **CLAIM**

The ornamental design of a bottle, as shown and described.

DESCRIPTION

FIG. 1 is a perspective view of a bottle according to my new design;

FIG. 2 is a reverse perspective view of the bottle shown in FIG. 1;

FIG. 3 is an elevational view of the bottle shown in FIG. 1;

FIG. 4 is an opposing elevational view of the bottle shown in FIG. 1;

FIG. 5 is a side view of the bottle shown in FIG. 1 ;

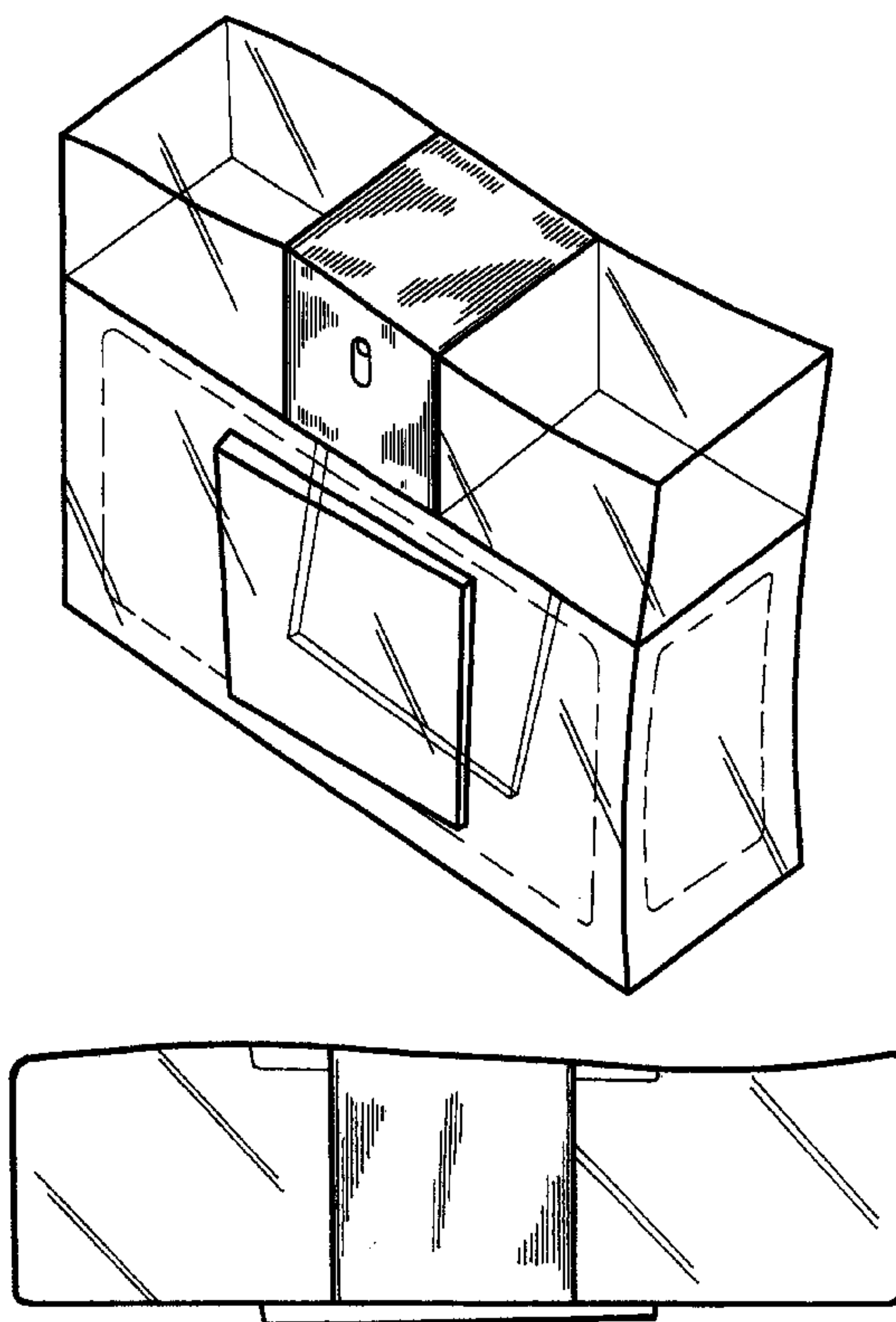
FIG. 6 is an opposing side view of the bottle shown in FIG. 1 ;

FIG. 7 is a top plan view thereof; and,

FIG. 8 is a reverse plan view of the bottle shown in FIG. 1

The broken lines depicting the shape of the interior cavity of the bottle are for illustrative purposes only and form no part of the claimed design.

1 Claim, 4 Drawing Sheets



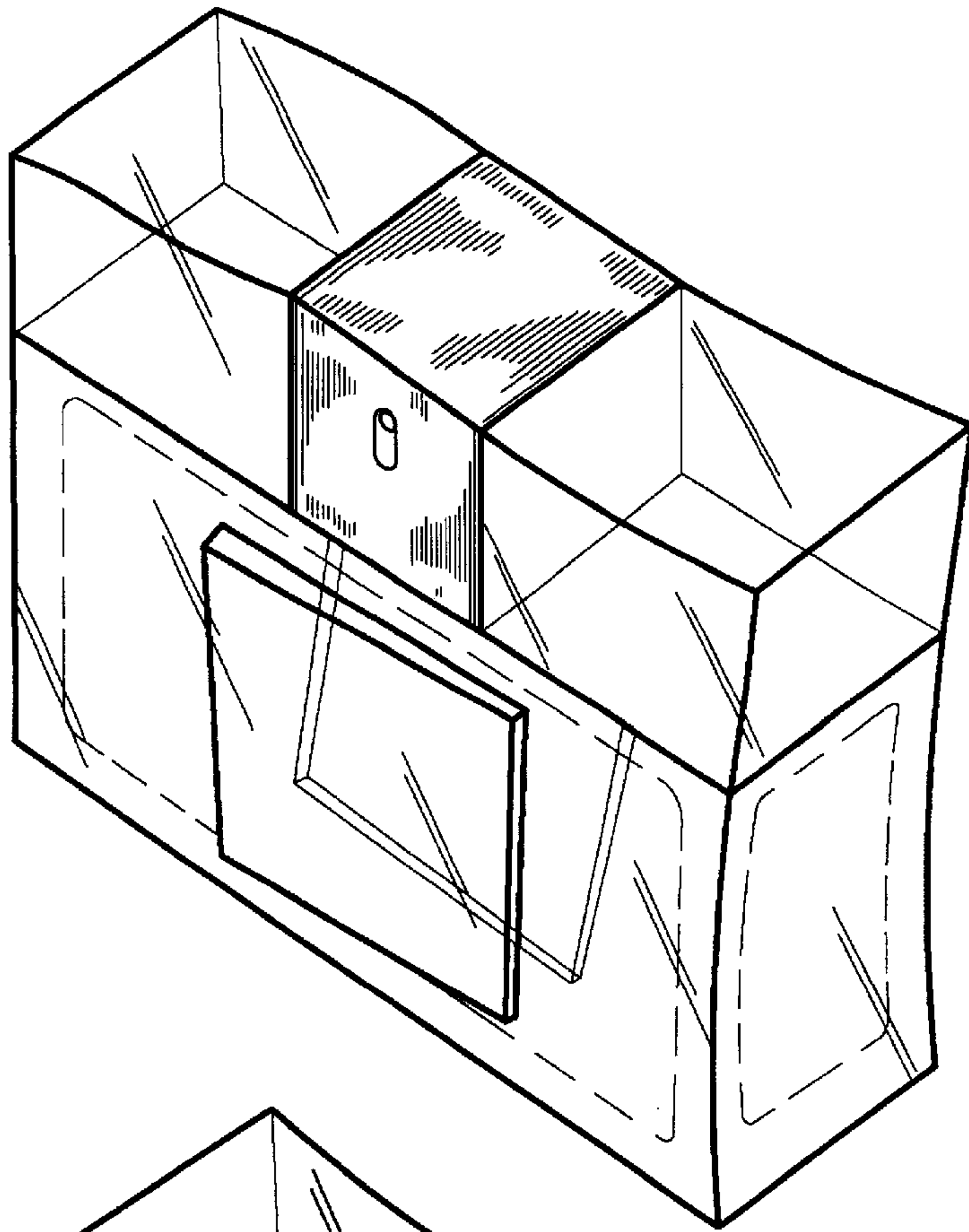


FIG. 1

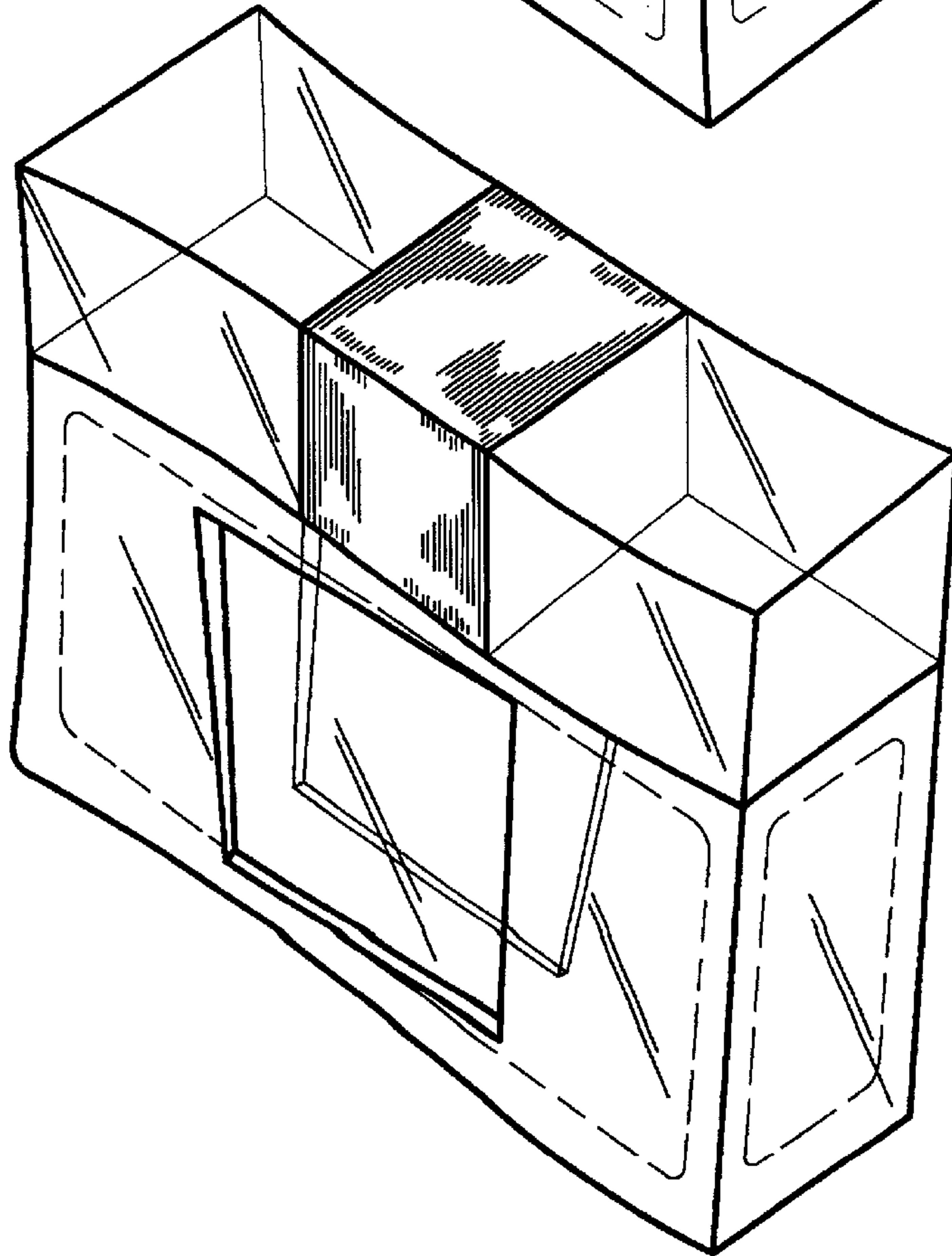


FIG. 2

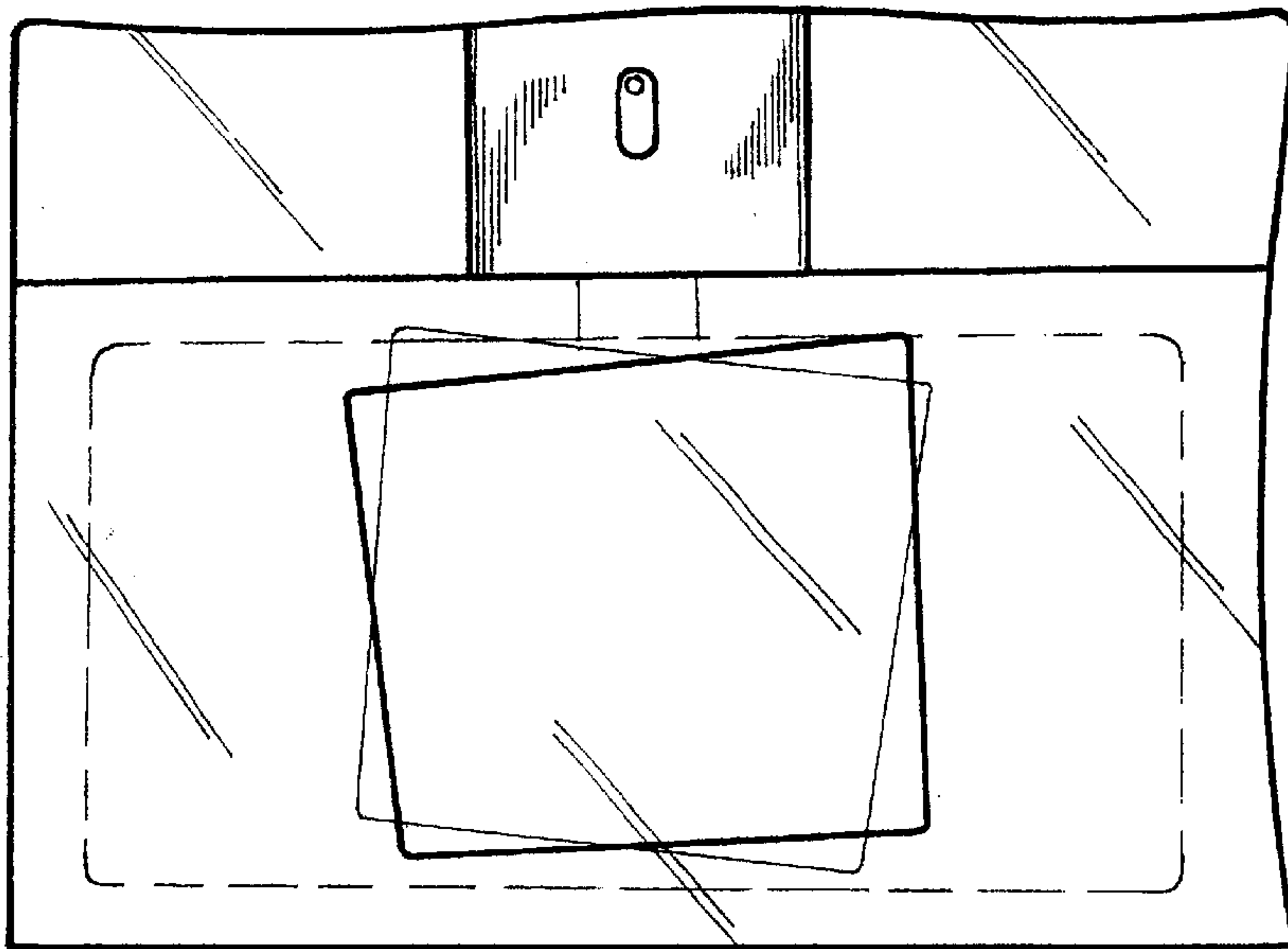


FIG.3

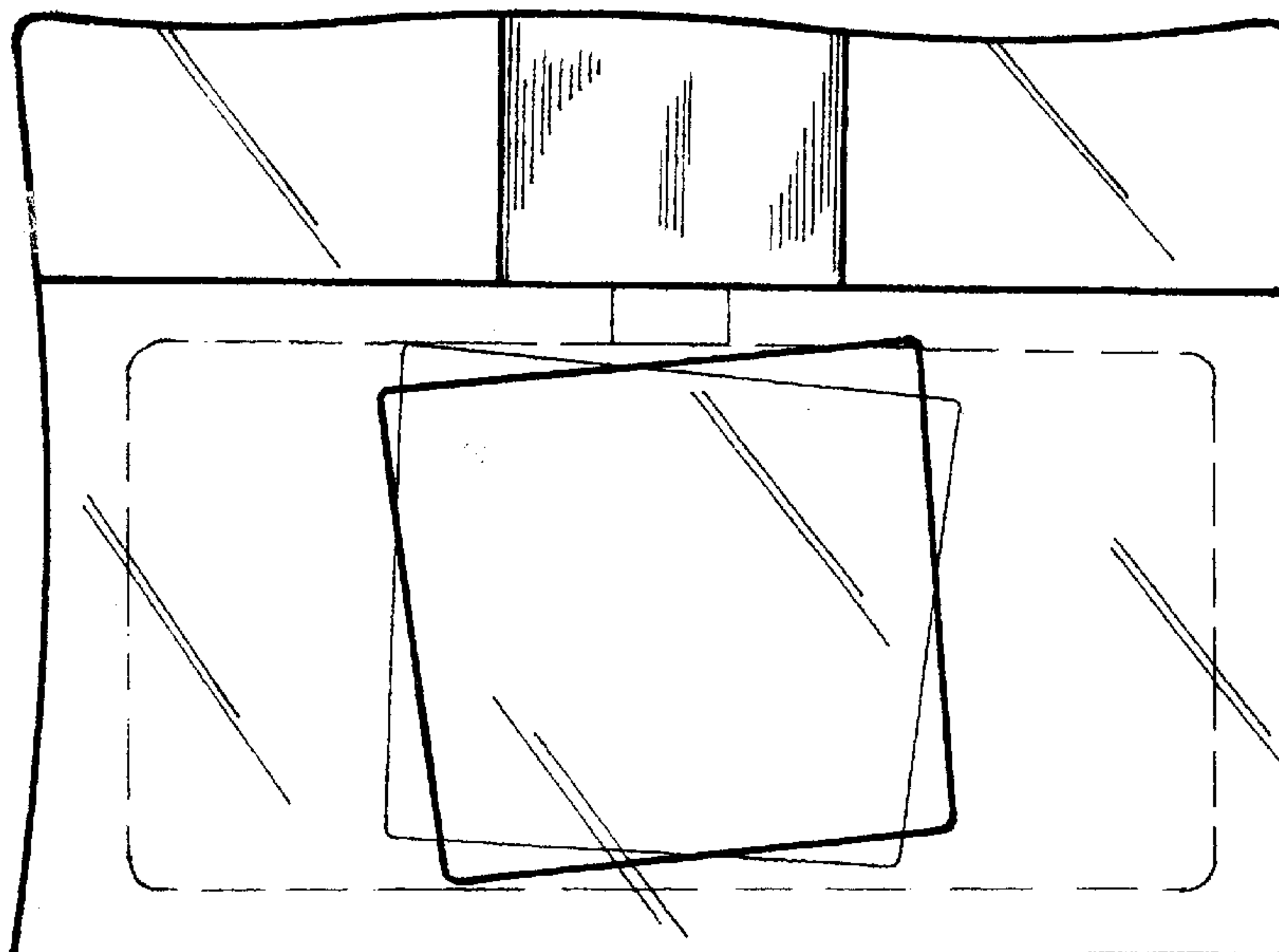


FIG.4

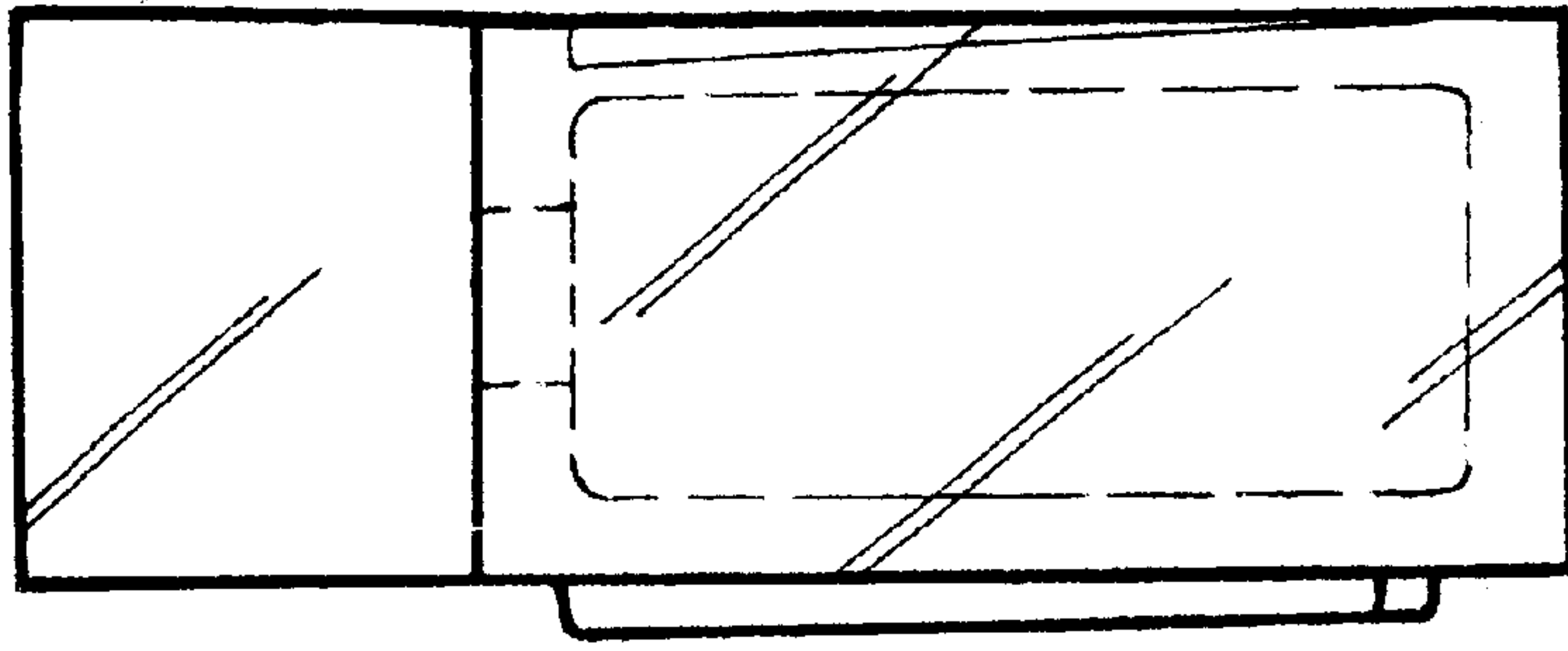


FIG. 6

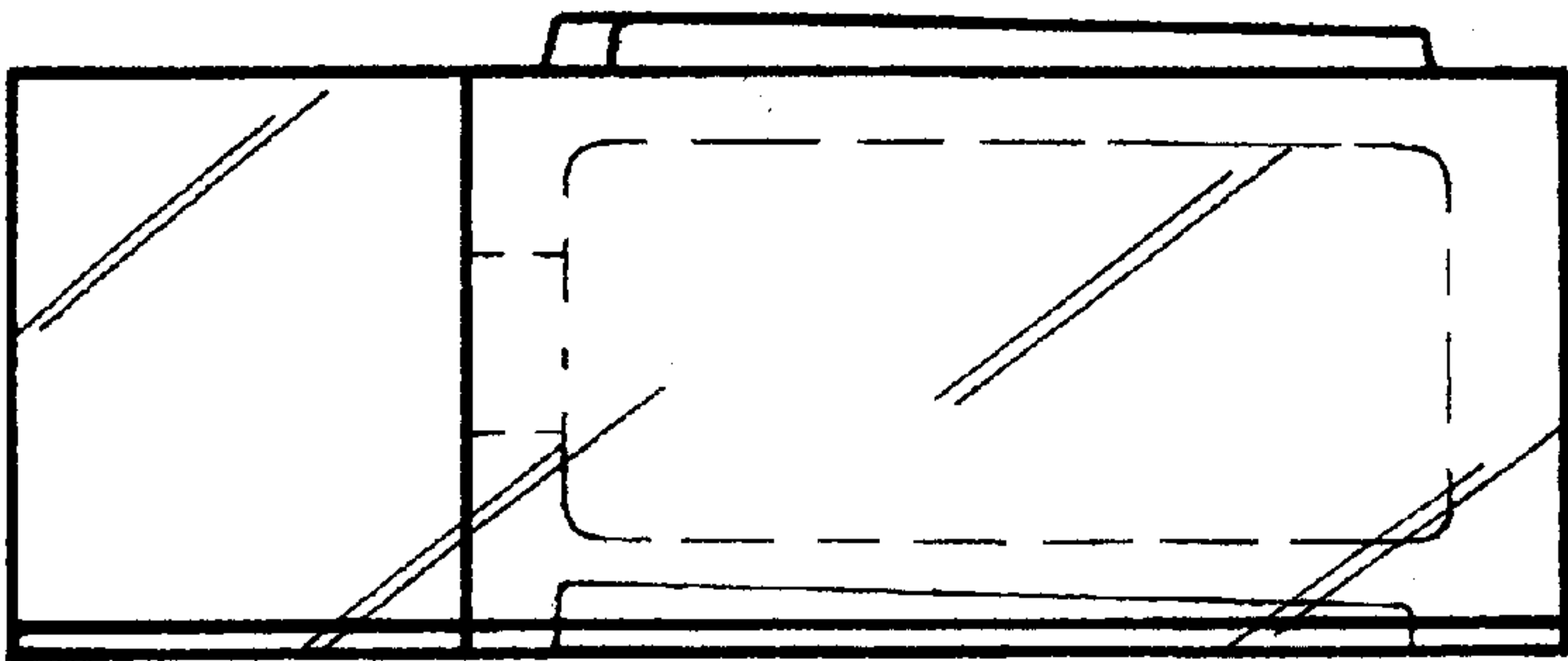


FIG. 5

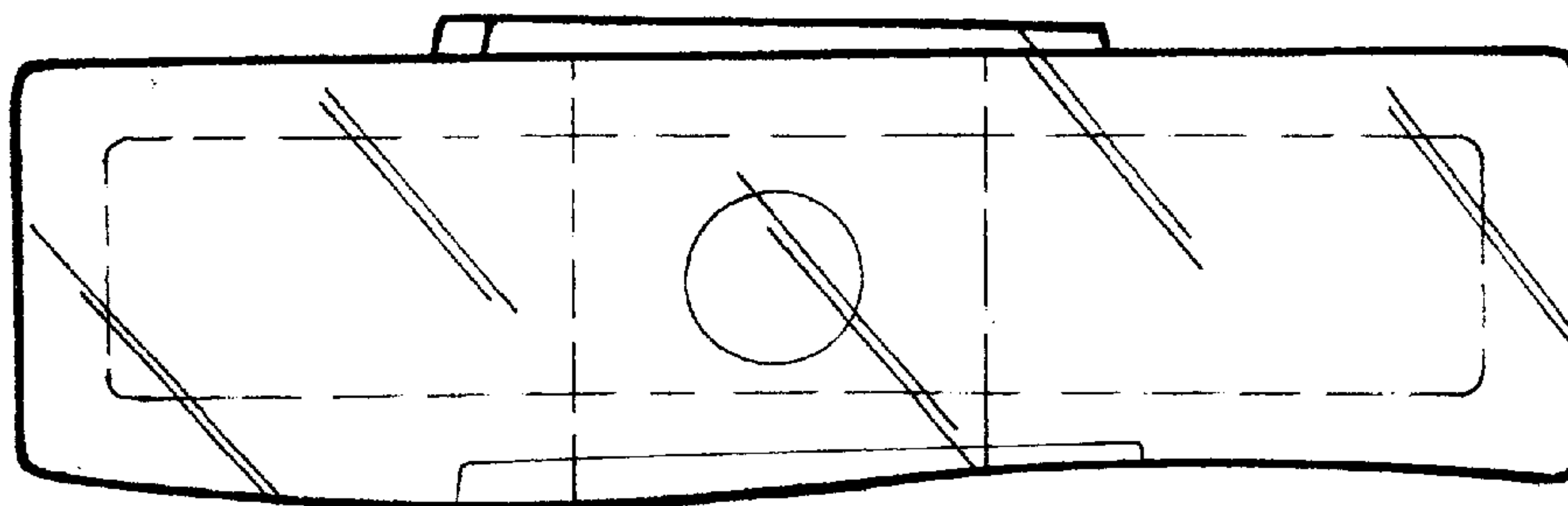


FIG. 7

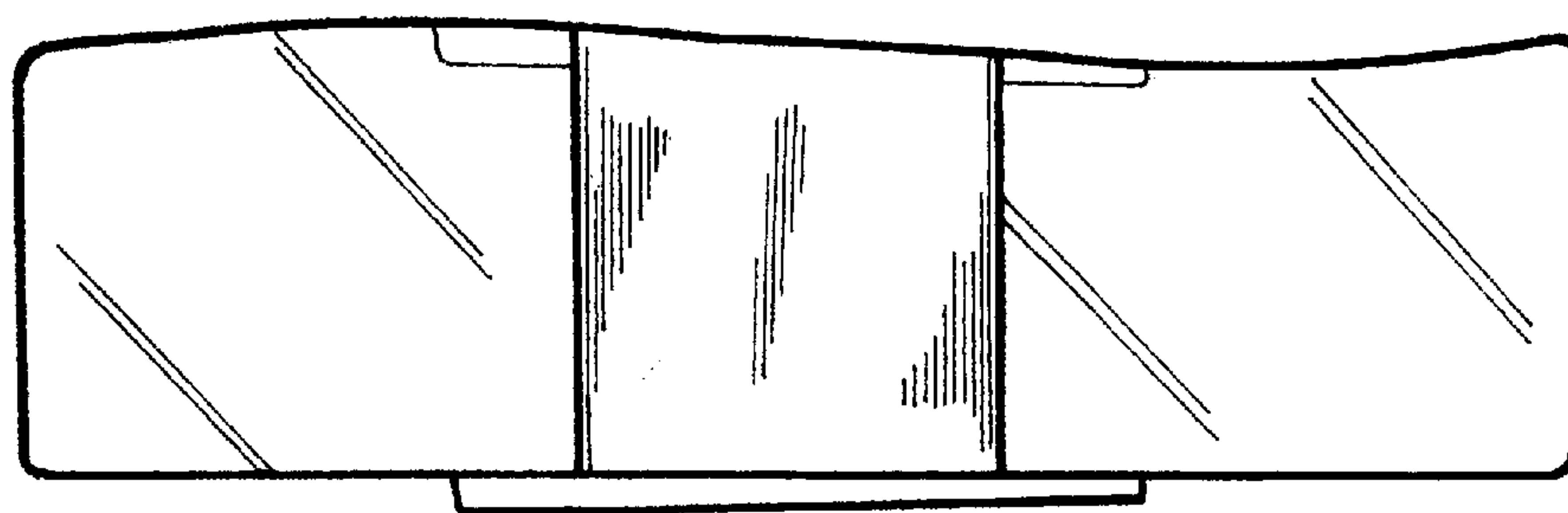


FIG. 8