

US00D531035S

(12) **United States Design Patent**
Pugne

(10) **Patent No.:** **US D531,035 S**

(45) **Date of Patent:** **** Oct. 31, 2006**

(54) **DISPENSING CLOSURE**

(75) **Inventor:** **Darin M. Pugne**, Perrysburg, OH (US)

(73) **Assignee:** **Owens-Illinois Closure Inc.**, Toledo, OH (US)

(**) **Term:** **14 Years**

(21) **Appl. No.:** **29/253,981**

(22) **Filed:** **Feb. 15, 2006**

(51) **LOC (8) Cl.** **09-07**

(52) **U.S. Cl.** **D9/453**; D9/449

(58) **Field of Classification Search** D9/453,
D9/452, 449, 447, 446, 443, 436, 435; D8/312,
D8/310; D7/510, 507, 396.2, 393, 392.1,
D7/305; D23/250; D13/174; 220/296; 215/318,
215/256, 252, 219; 206/385
See application file for complete search history.

(56) **References Cited**

U.S. PATENT DOCUMENTS

3,362,591 A	1/1968	Latham et al.	
4,545,495 A	* 10/1985	Kinsley	215/235
D292,889 S	11/1987	Ostrowsky	
D334,538 S	* 4/1993	Bolen et al.	D9/449
5,271,531 A	12/1993	Rohr et al.	
D355,121 S	2/1995	Kohl	
D377,737 S	* 2/1997	Kristnik	D7/511

5,632,420 A	5/1997	Lohrman et al.	
5,769,253 A	6/1998	Gross	
5,897,033 A	4/1999	Okawa et al.	
6,089,411 A	7/2000	Baudin et al.	
6,766,926 B1	* 7/2004	Elchert	222/498
D516,425 S	* 3/2006	Haffner et al.	D9/449
2005/0279781 A1	* 12/2005	Pugne	222/556

* cited by examiner

Primary Examiner—Robert M. Spear
Assistant Examiner—Susan Bennett Hattan

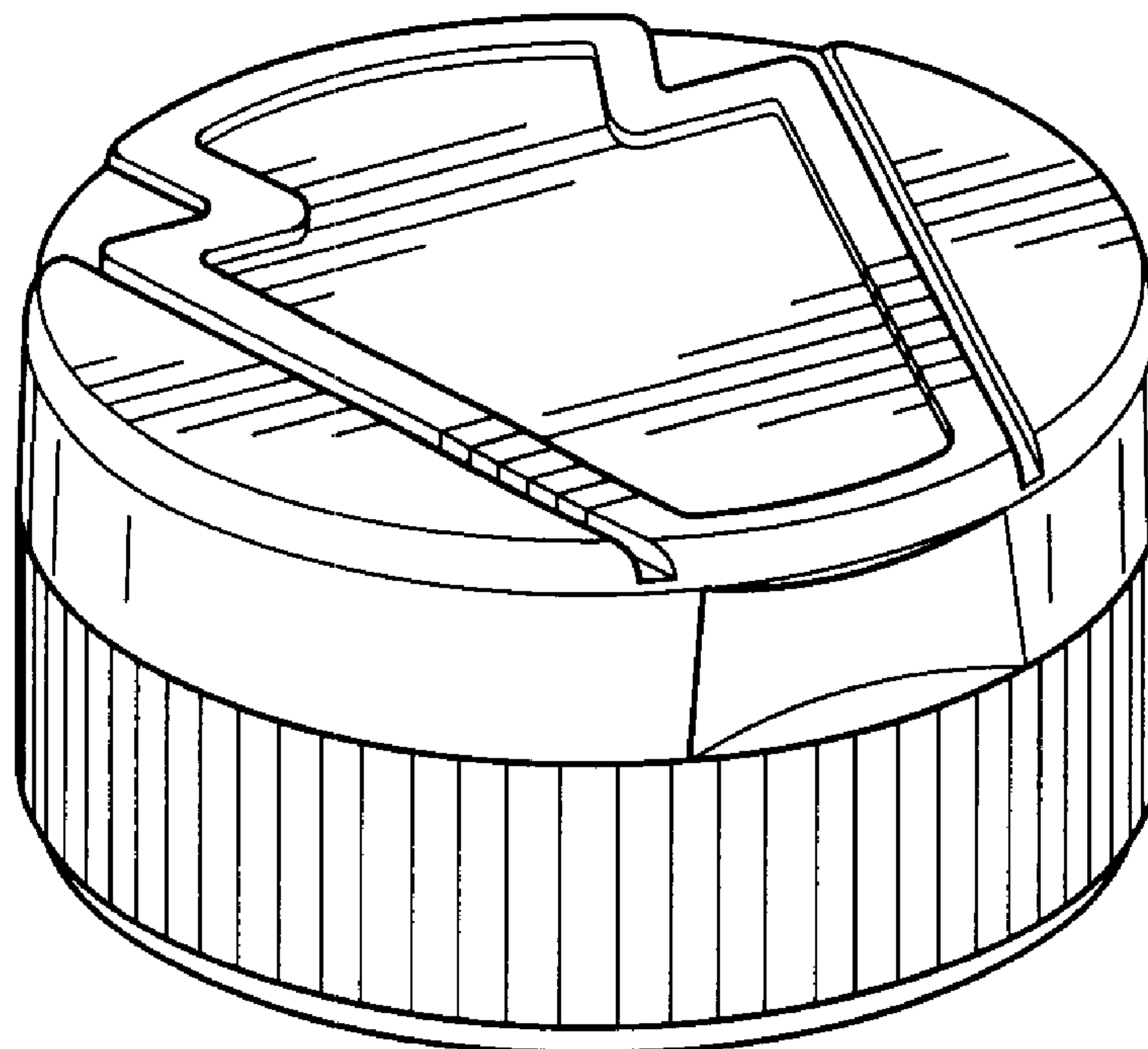
(57) **CLAIM**

I claim the ornamental design for a dispensing closure, as shown and described.

DESCRIPTION

FIG. 1 is a perspective view of a dispensing closure in accordance with my design.
FIG. 2 is a top plan view of the dispensing closure, the bottom of the dispensing closure forming no part of the claimed design.
FIG. 3 is a front elevational view of the dispensing closure.
FIG. 4 is a side elevational view of the dispensing closure taken from the right in FIGS. 2 and 3, the opposing side elevational view being a mirror image of FIG. 4; and,
FIG. 5 is a rear elevational view of the dispensing closure, the hinge being shown in phantom in FIGS. 4 and 5 for environment only and not included in the claimed design.

1 Claim, 1 Drawing Sheet



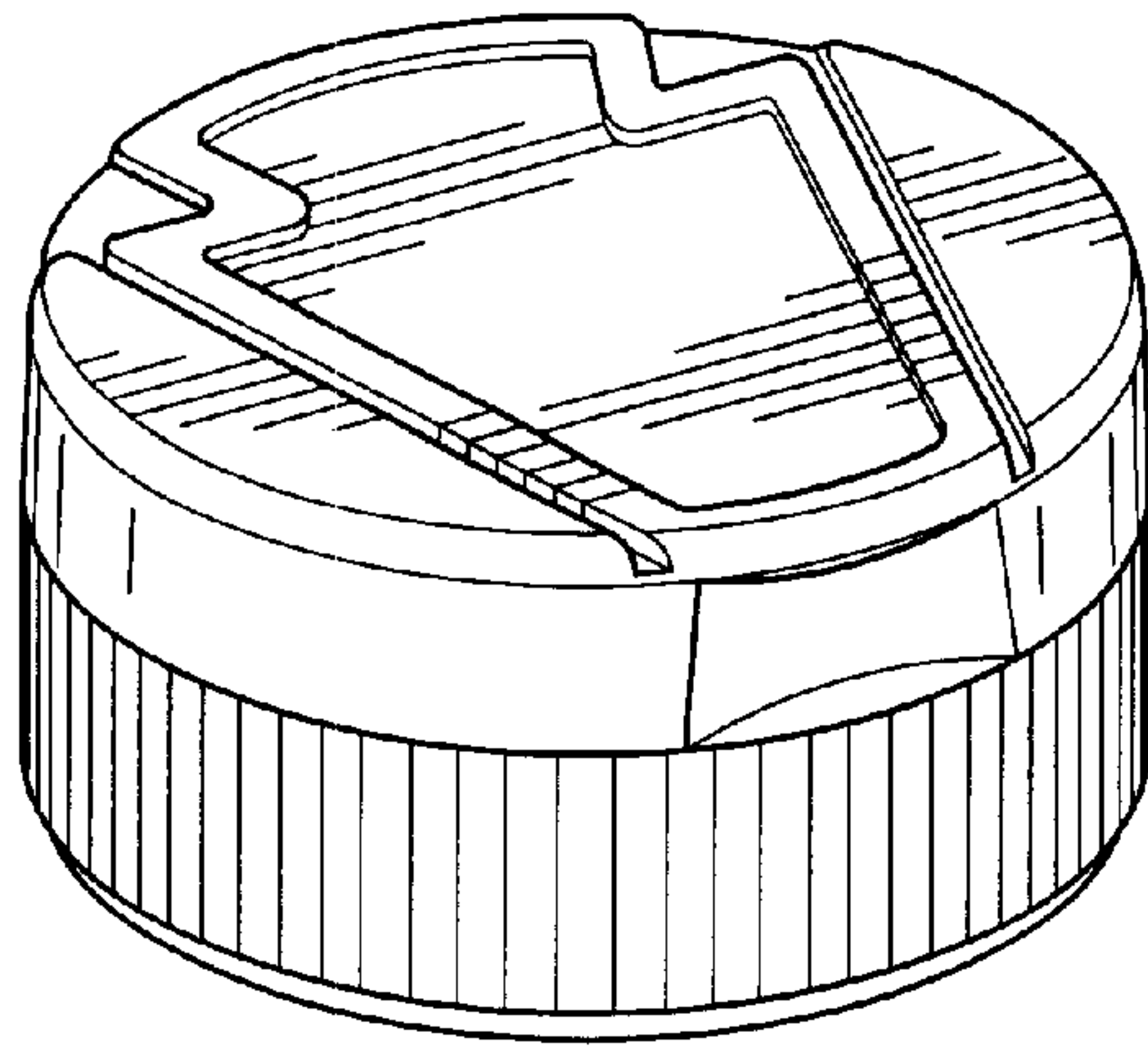


Figure 1

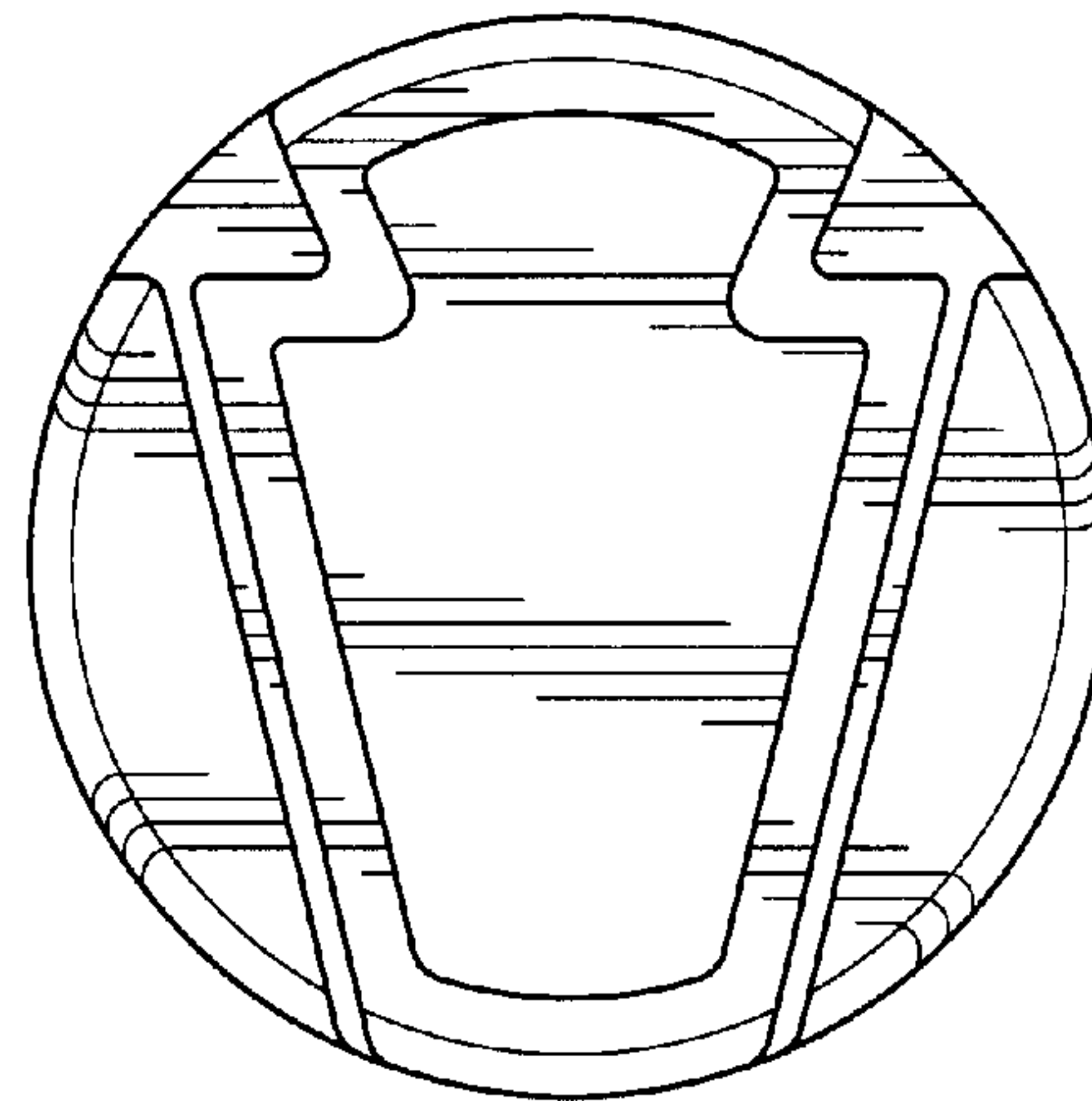


Figure 2

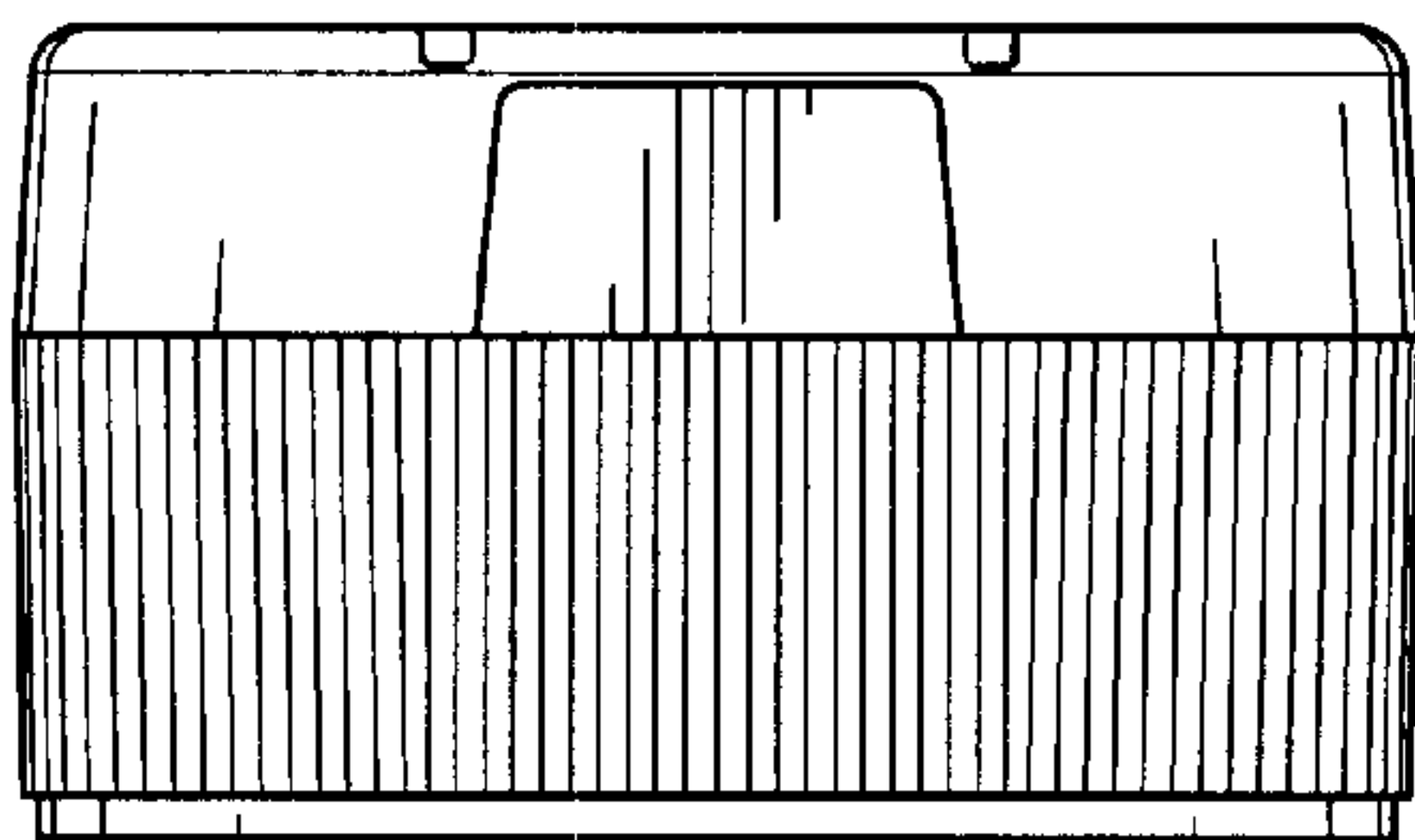


Figure 3

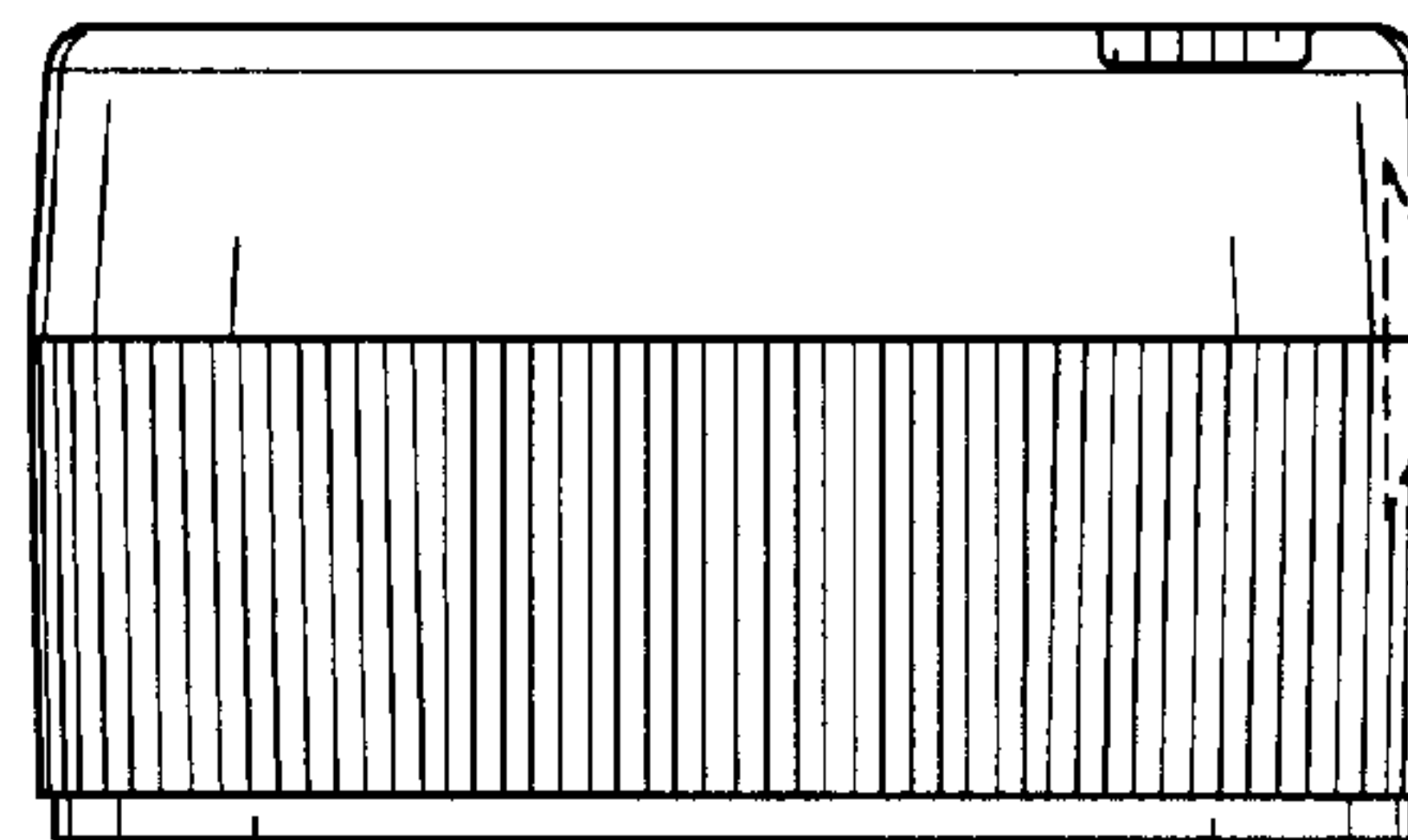


Figure 4

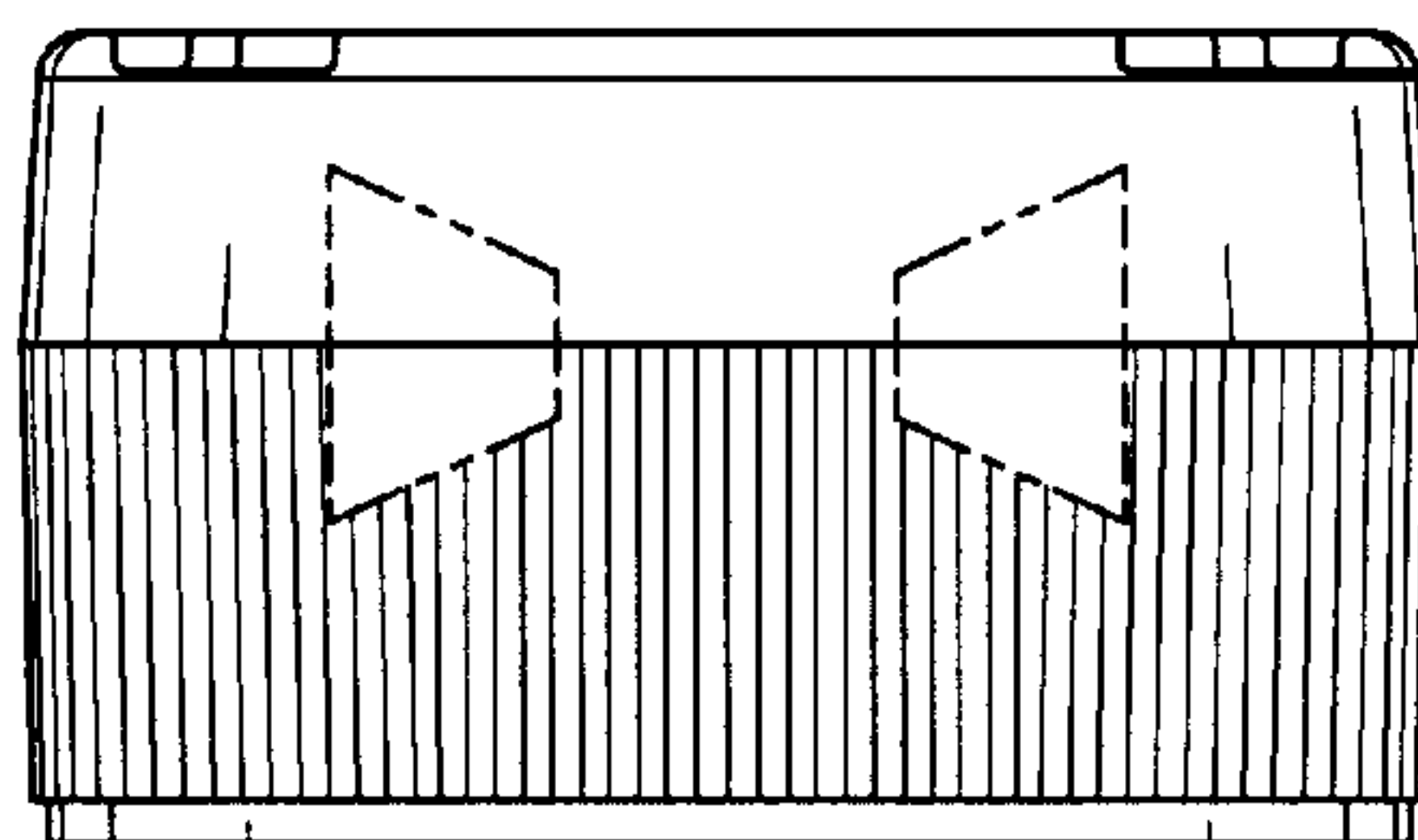


Figure 5