



US00D531034S

(12) **United States Design Patent** (10) **Patent No.:** **US D531,034 S**  
**Williams** (45) **Date of Patent:** **\*\* Oct. 31, 2006**

(54) **DECORATIVE BOTTLE ACCESSORY**

(75) Inventor: **Dean Williams**, Pontyclun (GB)

(73) Assignee: **The Procter & Gamble Company**, Cincinnati, OH (US)

(\*\*) Term: **14 Years**

(21) Appl. No.: **29/257,487**

(22) Filed: **Apr. 5, 2006**

**Related U.S. Application Data**

(62) Division of application No. 29/210,713, filed on Aug. 4, 2004.

(51) **LOC (8) Cl.** ..... **09-07**

(52) **U.S. Cl.** ..... **D9/451**

(58) **Field of Classification Search** ..... D9/607, D9/604, 601, 600, 434, 451, 448; D7/578, D7/516; D5/26; D4/125; D3/21, 14, 6; D21/836, D21/600, 427, 415; D2/982, 899, 508, 505; D11/100; D1/107; 222/78; 206/457  
See application file for complete search history.

(56) **References Cited**

**U.S. PATENT DOCUMENTS**

- 3,738,054 A \* 6/1973 Petrussek ..... 446/304
- D242,121 S \* 11/1976 Stoddard ..... D9/607
- D282,310 S \* 1/1986 Valori ..... D2/899
- D306,692 S \* 3/1990 Ferrero ..... D9/607
- 4,979,925 A \* 12/1990 Bergersen ..... 446/297
- D329,507 S \* 9/1992 Assmann ..... D28/18
- D423,351 S \* 4/2000 Zaksenberg ..... D9/434
- D425,146 S \* 5/2000 Shibuya ..... D21/600

- D436,525 S \* 1/2001 Lin ..... D9/601
- D449,013 S \* 10/2001 Spielberg ..... D11/158
- D477,779 S \* 7/2003 Weihrauch ..... D9/601
- D516,950 S \* 3/2006 Thorsteinsson ..... D11/164
- D517,446 S \* 3/2006 Thorsteinsson ..... D11/158
- 2002/0078534 A1 \* 6/2002 Williams ..... 24/30.5 S
- 2004/0055920 A1 \* 3/2004 Perez ..... 206/457
- 2006/0027596 A1 \* 2/2006 Walther et al. .... 222/78

\* cited by examiner

*Primary Examiner*—Robert M. Spear

*Assistant Examiner*—Susan Bennett Hattan

(74) *Attorney, Agent, or Firm*—Matthew P. Fitzpatrick; Sarah Ann Dressel

(57) **CLAIM**

The ornamental design for a “decorative bottle accessory,” as shown and described.

**DESCRIPTION**

FIG. 1 is a perspective view of a decorative bottle accessory showing our new design;

FIG. 2 is a front elevational view of the decorative bottle accessory of FIG. 1;

FIG. 3 is a left side elevational view of the decorative bottle accessory of FIG. 1, the right side elevational view being a mirror image thereof;

FIG. 4 is a rear elevational view of the decorative bottle accessory of FIG. 1; and,

FIG. 5 is a bottom plan view of the decorative bottle accessory of FIG. 1.

The dashed lines are for illustrative purposes only and form no part of the claimed design.

**1 Claim, 5 Drawing Sheets**

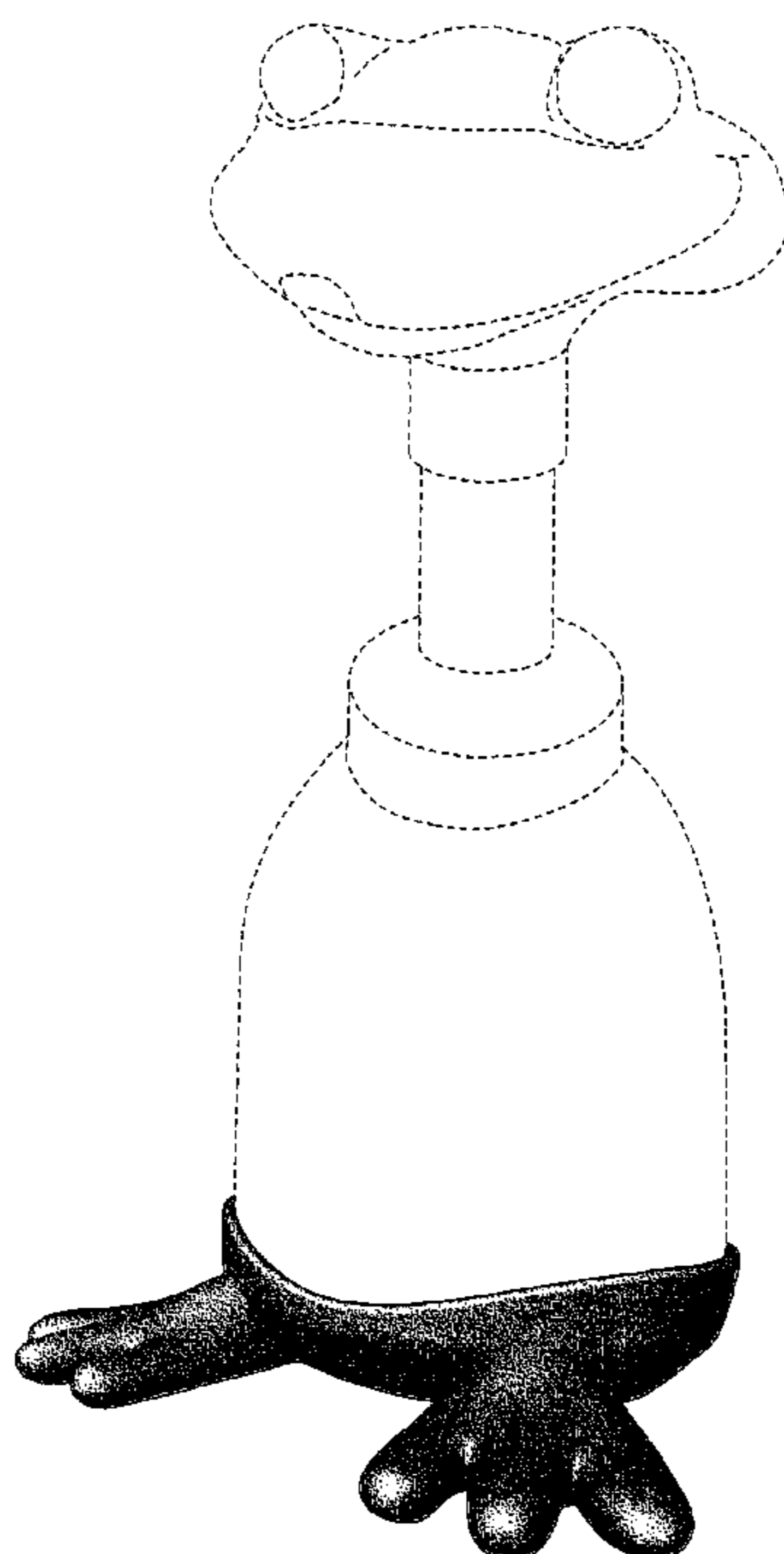


FIG. 1

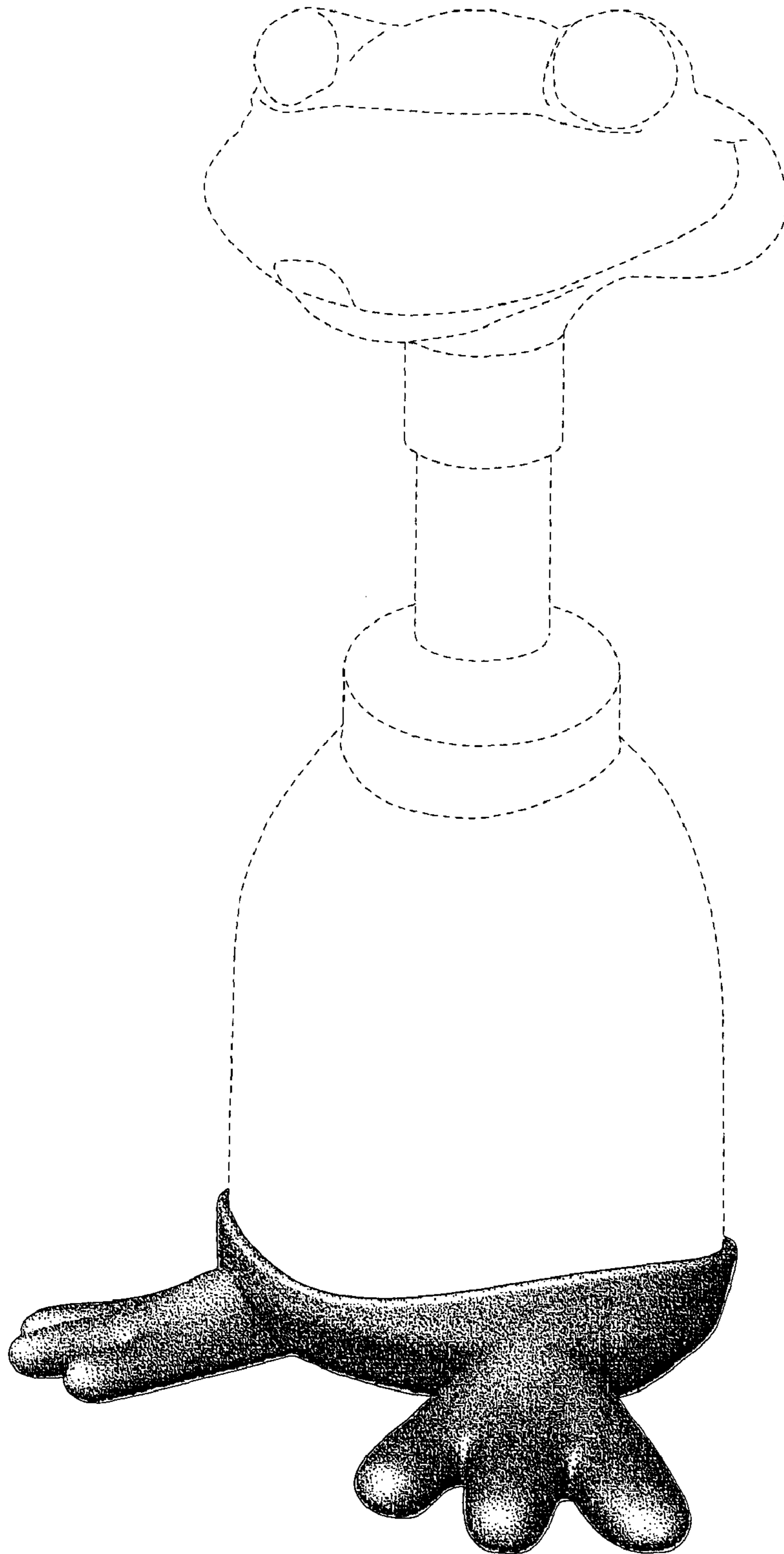


FIG. 2

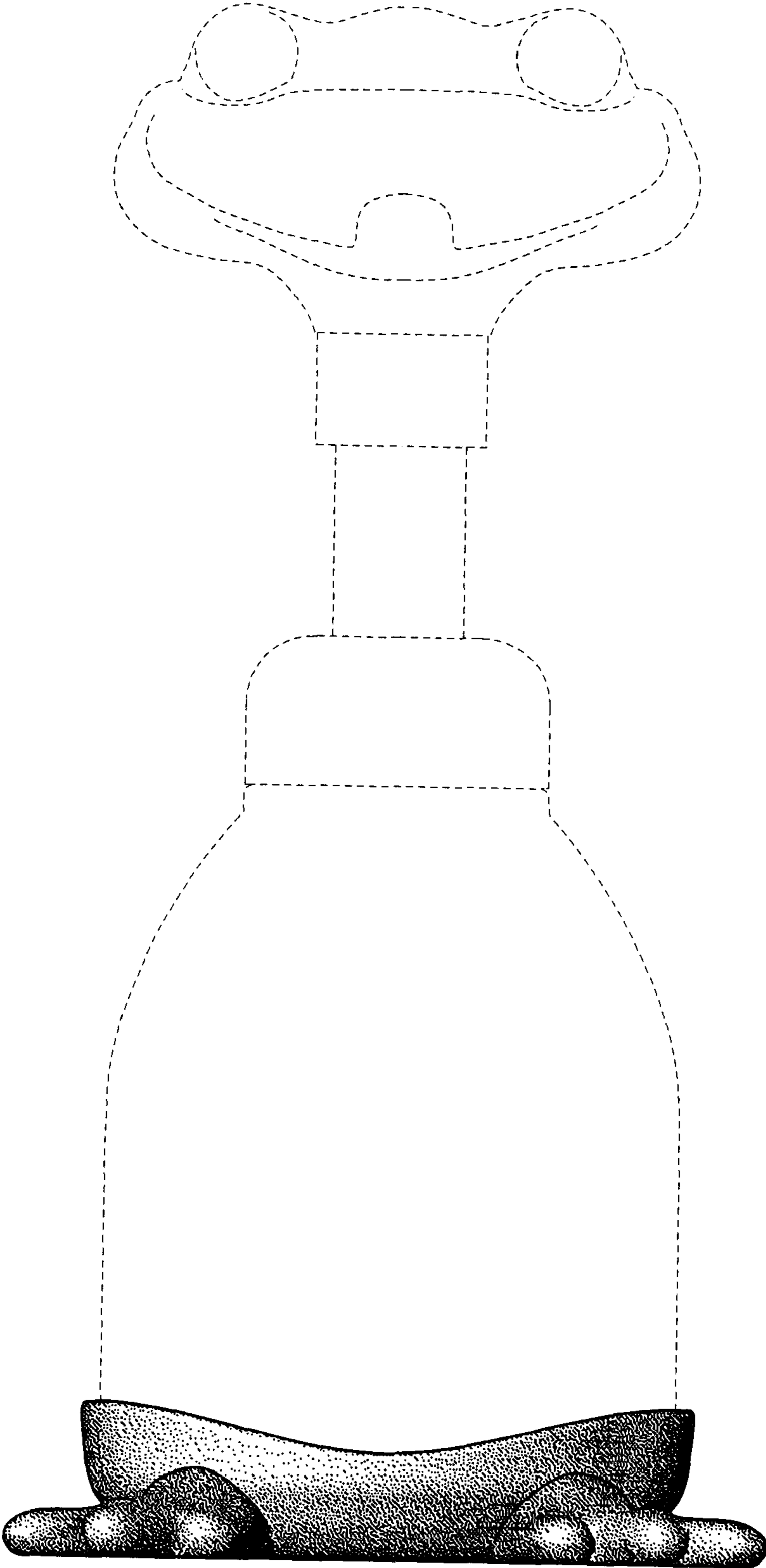


FIG. 3

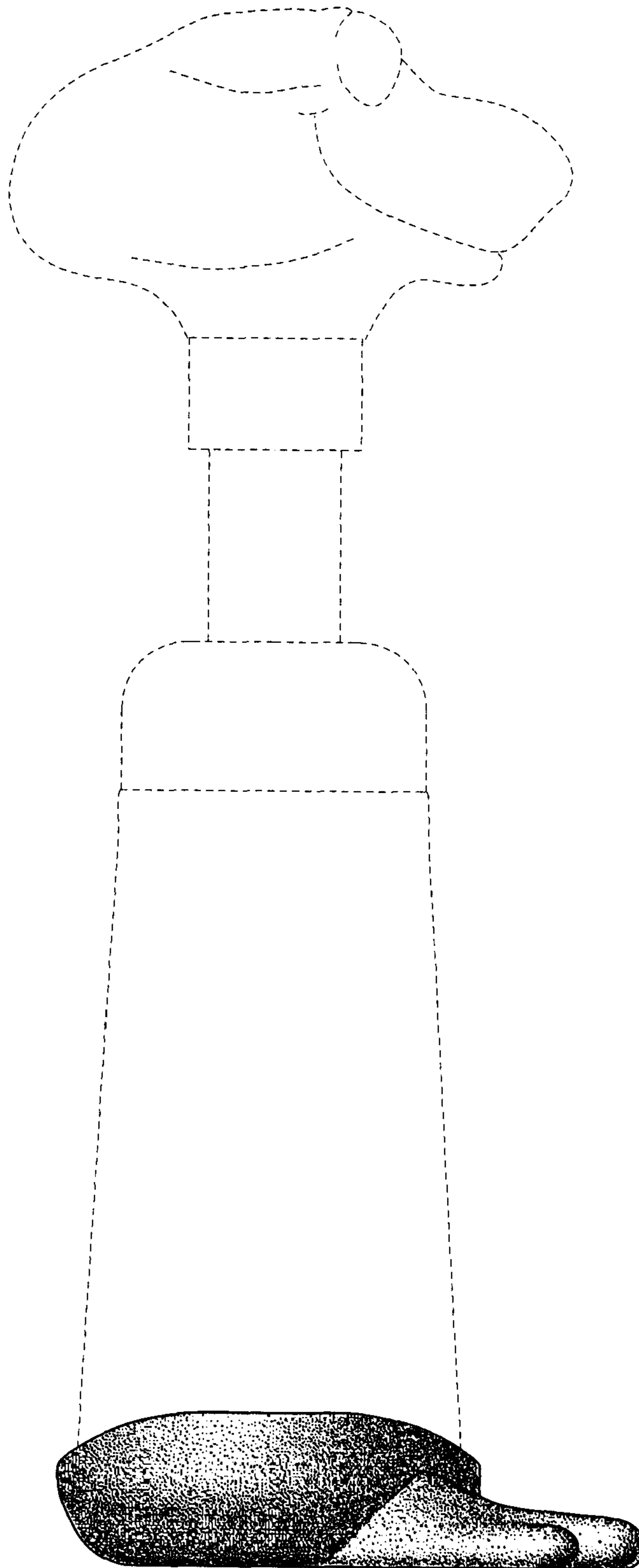




FIG. 4

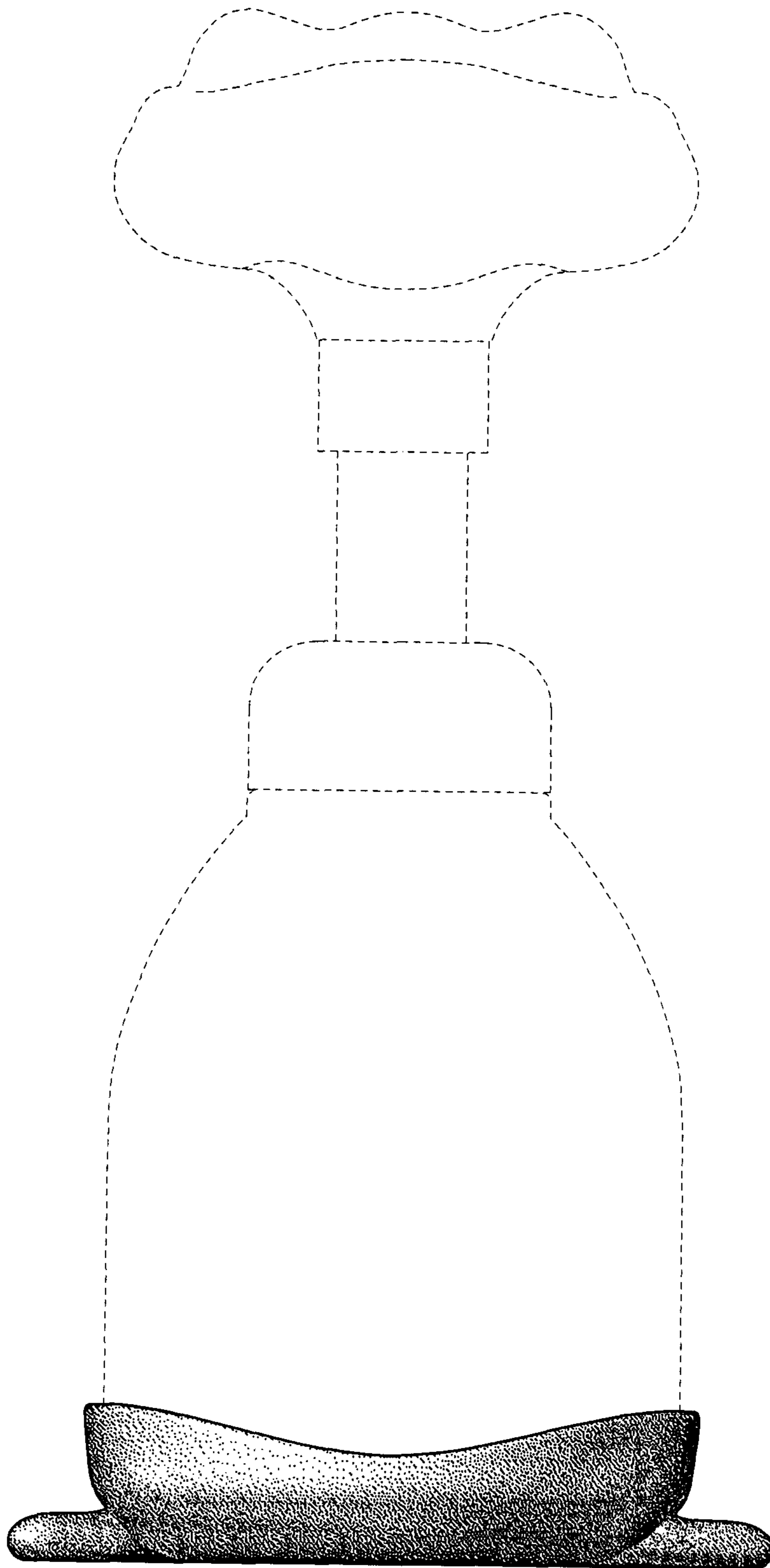


FIG. 5

