



US00D531033S

(12) **United States Design Patent** (10) **Patent No.:** **US D531,033 S**
Schmidtner et al. (45) **Date of Patent:** **** Oct. 31, 2006**

(54) **RECLOSABLE CUP LID**

4,170,724 A 10/1979 Waterbury
4,201,320 A 5/1980 Eppenbach
4,434,906 A 3/1984 Florczyk et al.

(75) Inventors: **Alois A. Schmidtner**, Hellertown, PA
(US); **Jonathan E. Rush**, Mount
Bethel, PA (US)

(Continued)

(73) Assignee: **Fort James Corporation**, Atlanta, GA
(US)

OTHER PUBLICATIONS

J. L. Throne, Thermoforming, published 1987 by Coulthard;
pp. 21–29.

(**) **Term:** **14 Years**

Primary Examiner—Robert M. Spear
Assistant Examiner—Susan Bennett Hattan

(21) **Appl. No.:** **29/243,716**

(74) *Attorney, Agent, or Firm*—Georgia Pacific Corp.;
Jacqueline M. Hutter

(22) **Filed:** **Nov. 30, 2005**

Related U.S. Application Data

(57) **CLAIM**

(63) Continuation of application No. 29/214,791, filed on Oct. 8,
2004.

The ornamental design for a reclosable cup lid, as shown and
described.

(51) **LOC (8) Cl.** **09-07**

DESCRIPTION

(52) **U.S. Cl.** **D9/449**

(58) **Field of Classification Search** D9/454,
D9/447, 438, 435; D7/629, 511, 510, 392,
D7/392.1; D5/56, 4, 12; D3/322; 222/561,
222/559, 480; 220/711–714, 271, 270; 215/254
See application file for complete search history.

A portion of the disclosure of this patent document contains
material to which a claim for copyright is made. The
copyright owner has no objection to the facsimile reproduc-
tion by anyone of the patent document or the patent disclo-
sure as it appears in the Patent and Trademark Office patent
file or records, but reserves all other copyrights whatsoever.
FIG. 1 is a top perspective view of the reclosable cup lid of
this invention with the sliding panel thereof in its open
position;

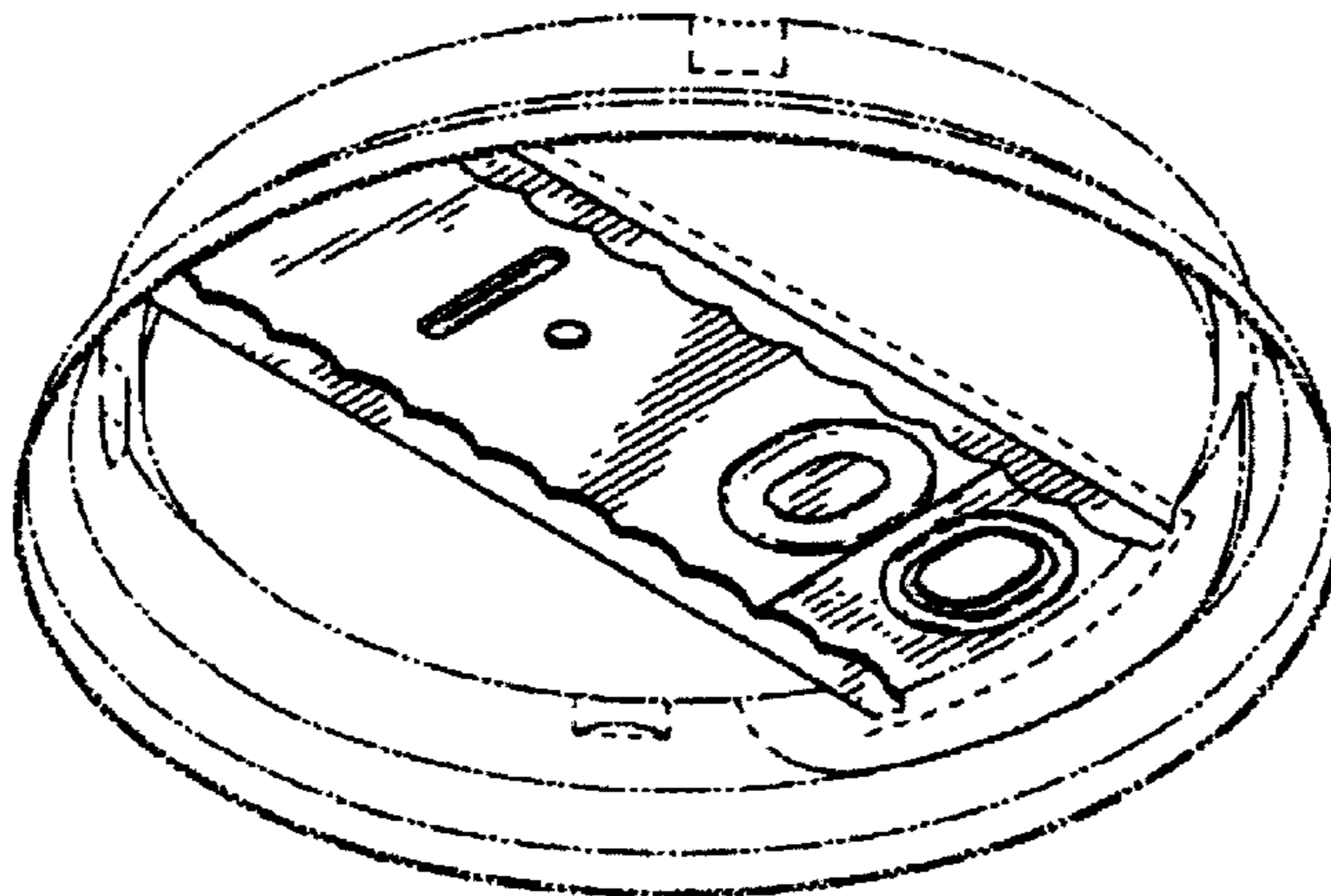
(56) **References Cited**

U.S. PATENT DOCUMENTS

581,293 A	4/1897	Leggett	
949,974 A	2/1910	Cibulka	
1,077,459 A	* 11/1913	Driscoll	222/561
1,433,544 A	10/1922	Gibbs	
1,765,284 A	6/1930	Prosnitz	
1,888,363 A	11/1932	Tannewitz	
2,304,214 A	12/1942	Straub	
D144,649 S	* 5/1946	Tobler	D5/12
2,492,846 A	12/1949	Coyle et al.	
2,665,038 A	* 1/1954	Fowler	222/561
3,355,069 A	* 11/1967	Miles	222/561
3,363,798 A	1/1968	Garangiotis	
3,938,690 A	2/1976	Butler	
4,057,167 A	11/1977	Lee	
4,099,642 A	7/1978	Nergard	
4,127,212 A	11/1978	Waterbury	

FIG. 2 is a top view of the reclosable cup lid of FIG. 1
FIG. 3 is another top view of the reclosable cup lid of FIG.
1, wherein the enclosure panel is shown in its closed
position;
FIG. 4 is a bottom perspective view of the reclosable cup lid
of FIG. 1, with the closure panel shown in its open position;
and,
FIG. 5 is a bottom view of the reclosable cup lid of FIG. 1,
with the closure panel again shown in its open position.
The broken lines shown in FIGS. 4 and 5 represent boundary
lines of the claimed design. The phantom (dash-dot) line
showing of the environment in FIGS. 1–5 is for illustrative
purposes only and forms no part of the claimed design.

1 Claim, 3 Drawing Sheets



US D531,033 S

Page 2

U.S. PATENT DOCUMENTS

4,570,817 A	2/1986	Hambleton et al.	5,462,189 A	10/1995	Pierce
4,579,245 A	4/1986	Narushko	5,470,817 A	11/1995	Nakamura et al.
4,746,032 A	5/1988	Huang	6,003,711 A	12/1999	Bilewitz
4,749,099 A	6/1988	Davis et al.	6,216,904 B1	4/2001	Cagan
D296,523 S	7/1988	Corno et al.	6,220,470 B1	4/2001	McHenry et al.
4,819,829 A	4/1989	Rosten et al.	6,354,454 B1	3/2002	Wong
4,989,746 A	2/1991	Pierce	6,439,442 B1	8/2002	Markert et al.
5,025,945 A	6/1991	Lyon	D476,567 S	7/2003	Weiss et al.
D323,619 S *	2/1992	Wilfong et al. D9/447	D477,532 S	7/2003	Wong
5,086,941 A	2/1992	English et al.	D489,260 S	5/2004	Smith et al.
D329,604 S *	9/1992	Kuczer D9/449	6,732,875 B1	5/2004	Smith et al.
5,148,936 A	9/1992	DeGrow	6,752,287 B1	6/2004	Lin
5,294,014 A	3/1994	Wyatt et al.	6,824,003 B1	11/2004	Wong
5,421,472 A	6/1995	Beckertgis	D500,428 S	1/2005	Ward et al.
5,449,085 A	9/1995	Brun, Jr.	2005/0103787 A1	5/2005	Simcovitch

* cited by examiner

FIG. 1

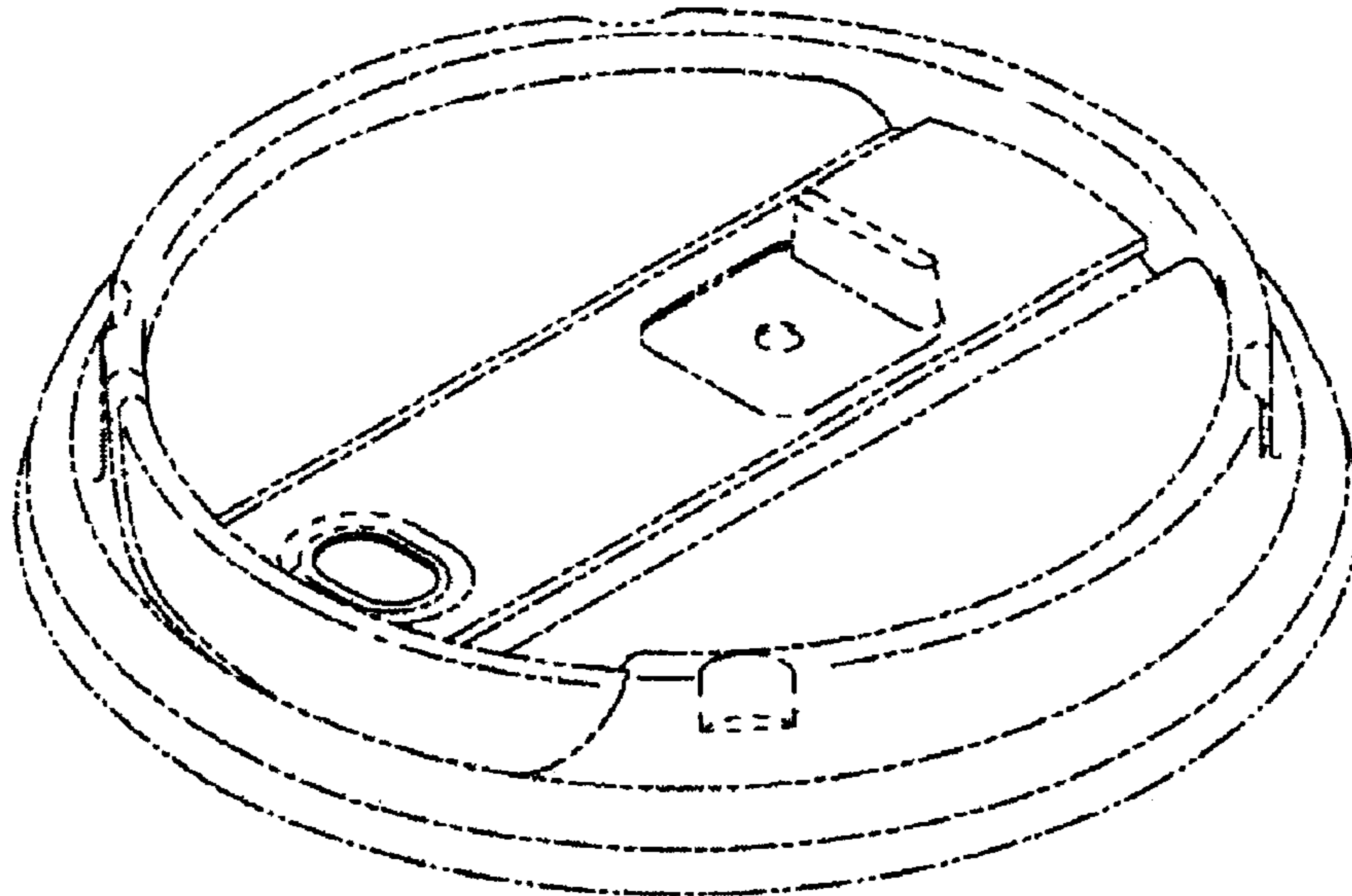


FIG. 2

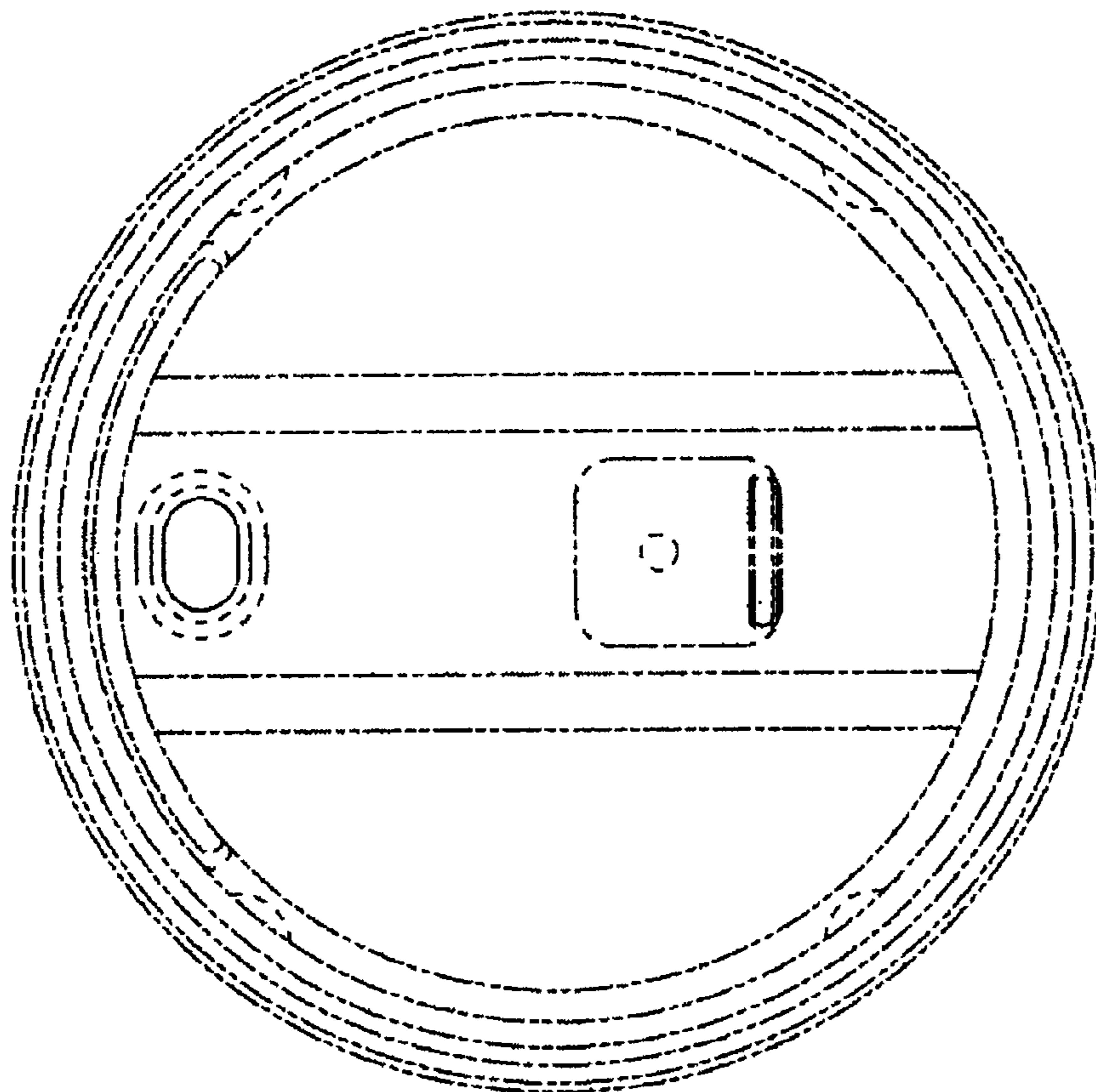


FIG. 3

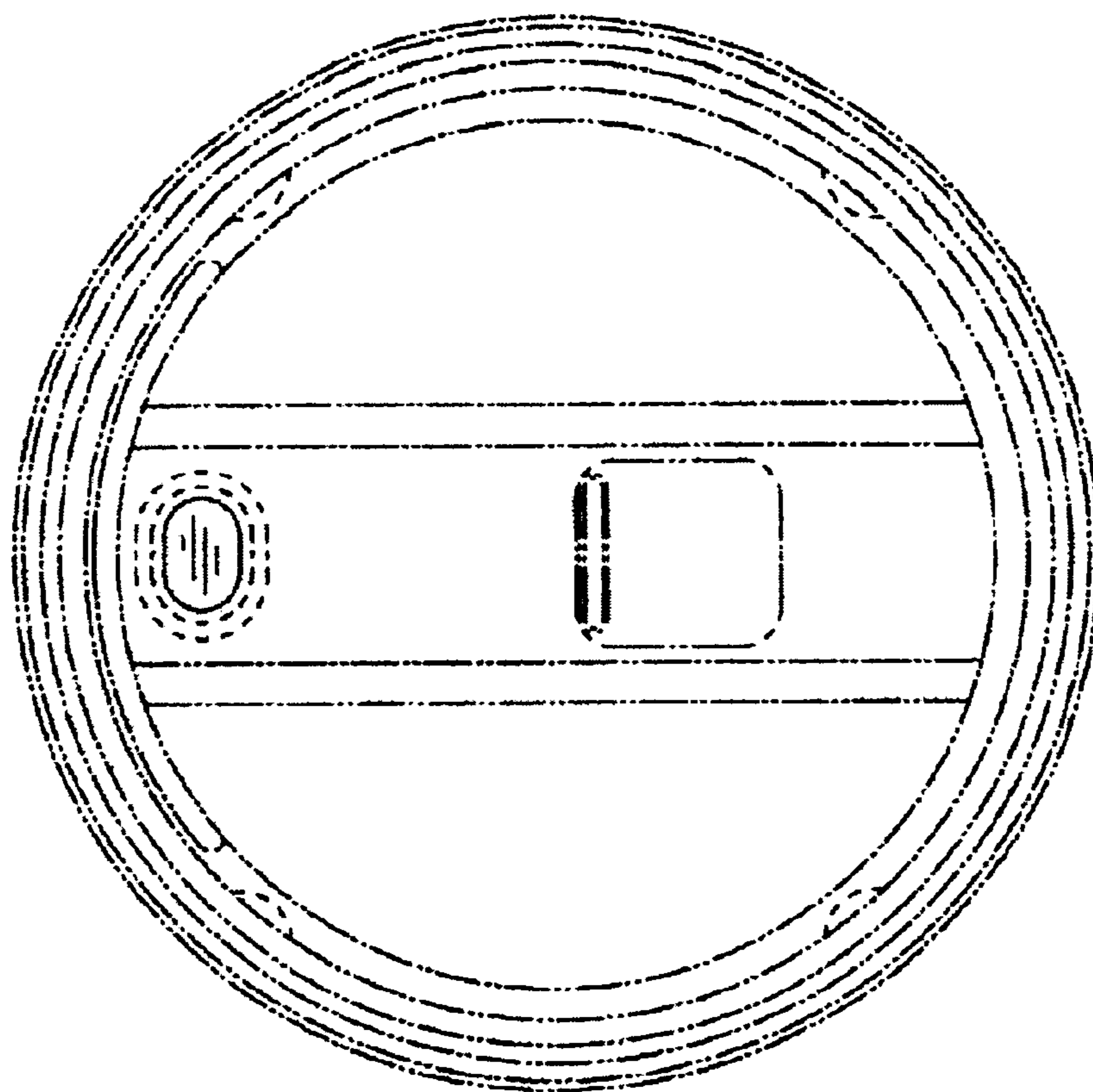


FIG. 4

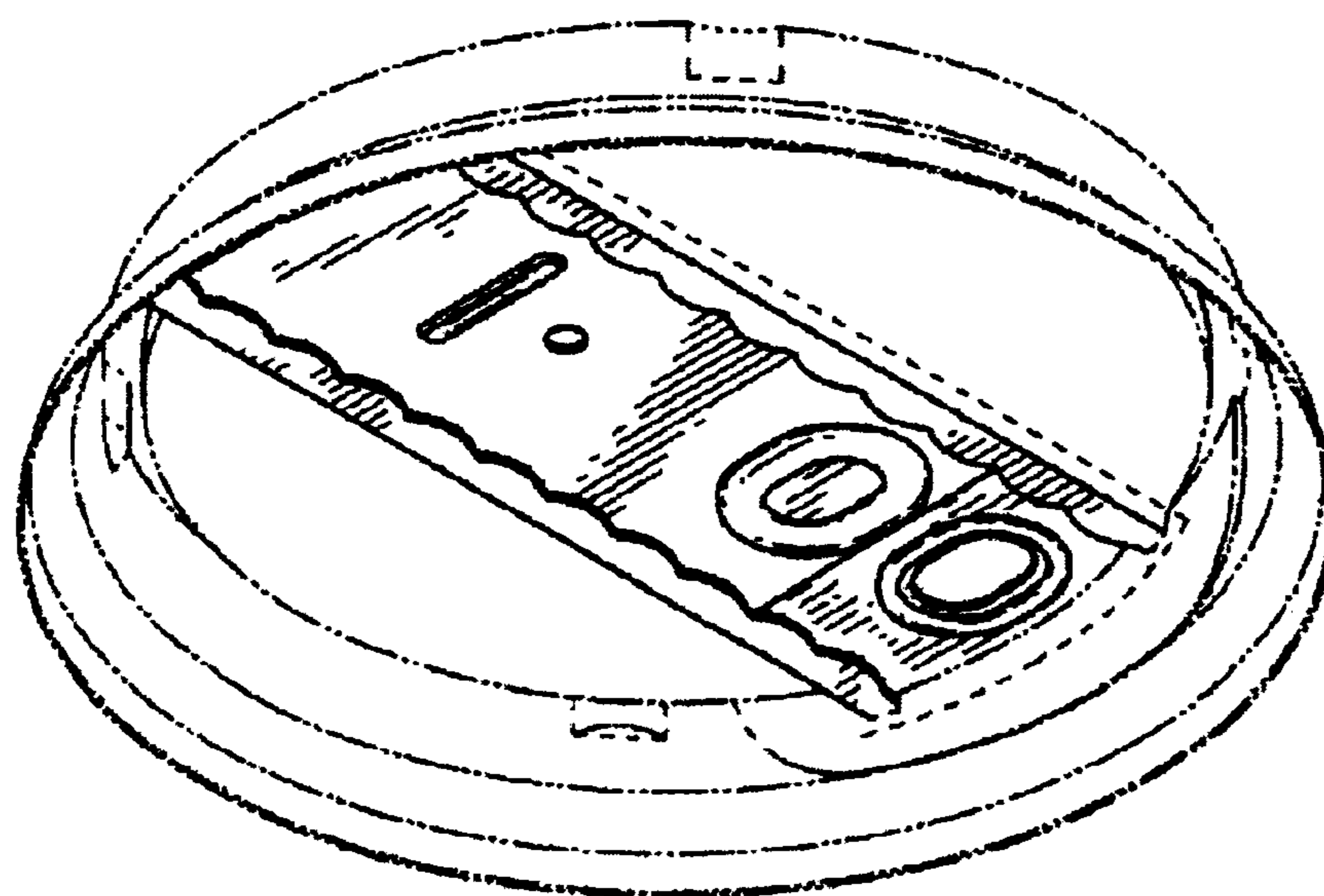


FIG. 5

