

US00D531031S

(12) **United States Design Patent** (10) **Patent No.:** **US D531,031 S**  
**Lussier et al.** (45) **Date of Patent:** **\*\* Oct. 31, 2006**

(54) **CAP FOR CONTAINER**

(75) Inventors: **Christopher W. Lussier**, Milford, NH (US); **Toby James Thunberg**, New Albany, OH (US)

(73) Assignee: **Elmer's Products, Inc.**, Columbus, OH (US)

(\*\*) Term: **14 Years**

(21) Appl. No.: **29/200,197**

(22) Filed: **Feb. 25, 2004**

(51) **LOC (8) Cl.** ..... **09-07**

(52) **U.S. Cl.** ..... **D9/447; D9/453**

(58) **Field of Classification Search** ..... D9/453, D9/449, 447, 446, 440, 435, 434; D6/542; D19/66; D24/130; 222/562, 556; 220/288, 220/259.3; 215/237, 235  
See application file for complete search history.

(56) **References Cited**

**U.S. PATENT DOCUMENTS**

D38,305 S	*	11/1906	Goss	.....	D9/449
D133,844 S	*	9/1942	Baron	.....	D9/442
D165,734 S	*	1/1952	Barton	.....	D9/453
D187,757 S	*	4/1960	Mart	.....	D9/446
D192,758 S	*	5/1962	Rijnovan	.....	D9/443

D223,812 S	*	6/1972	Lear	.....	D9/453
D470,052 S	*	2/2003	Klutts	.....	D9/447
D476,232 S	*	6/2003	Maus et al.	.....	D9/449
D490,315 S	*	5/2004	Kiser	.....	D9/453
D503,886 S	*	4/2005	Biesecker	.....	D9/453
2005/0045669 A1	*	3/2005	Thunberg et al.	.....	222/556

\* cited by examiner

*Primary Examiner*—Robert M. Spear

*Assistant Examiner*—Susan Bennett Hattan

(74) *Attorney, Agent, or Firm*—McNees Wallace & Nurick LLC

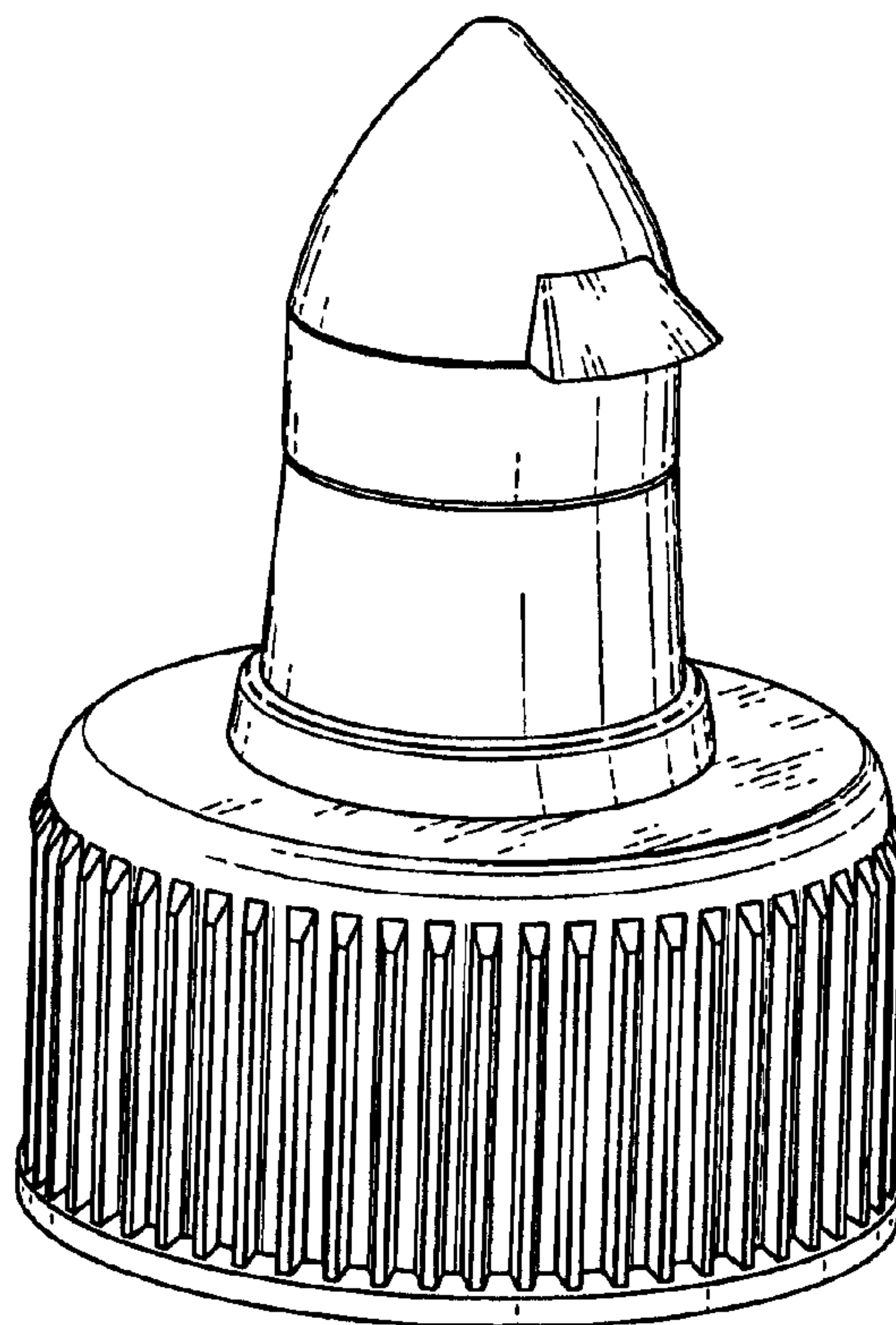
(57) **CLAIM**

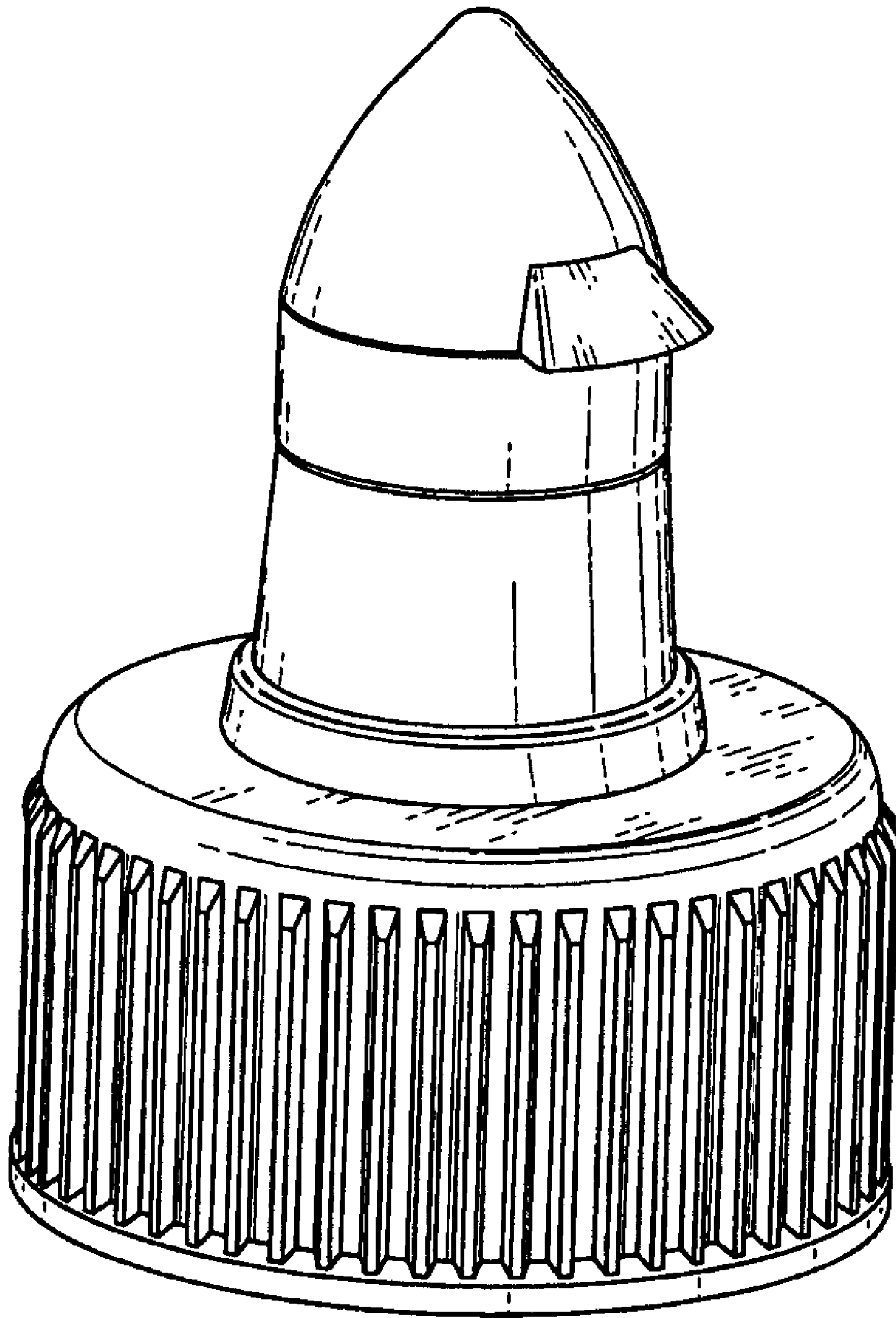
The ornamental design for a cap for container, as shown and described in the drawings.

**DESCRIPTION**

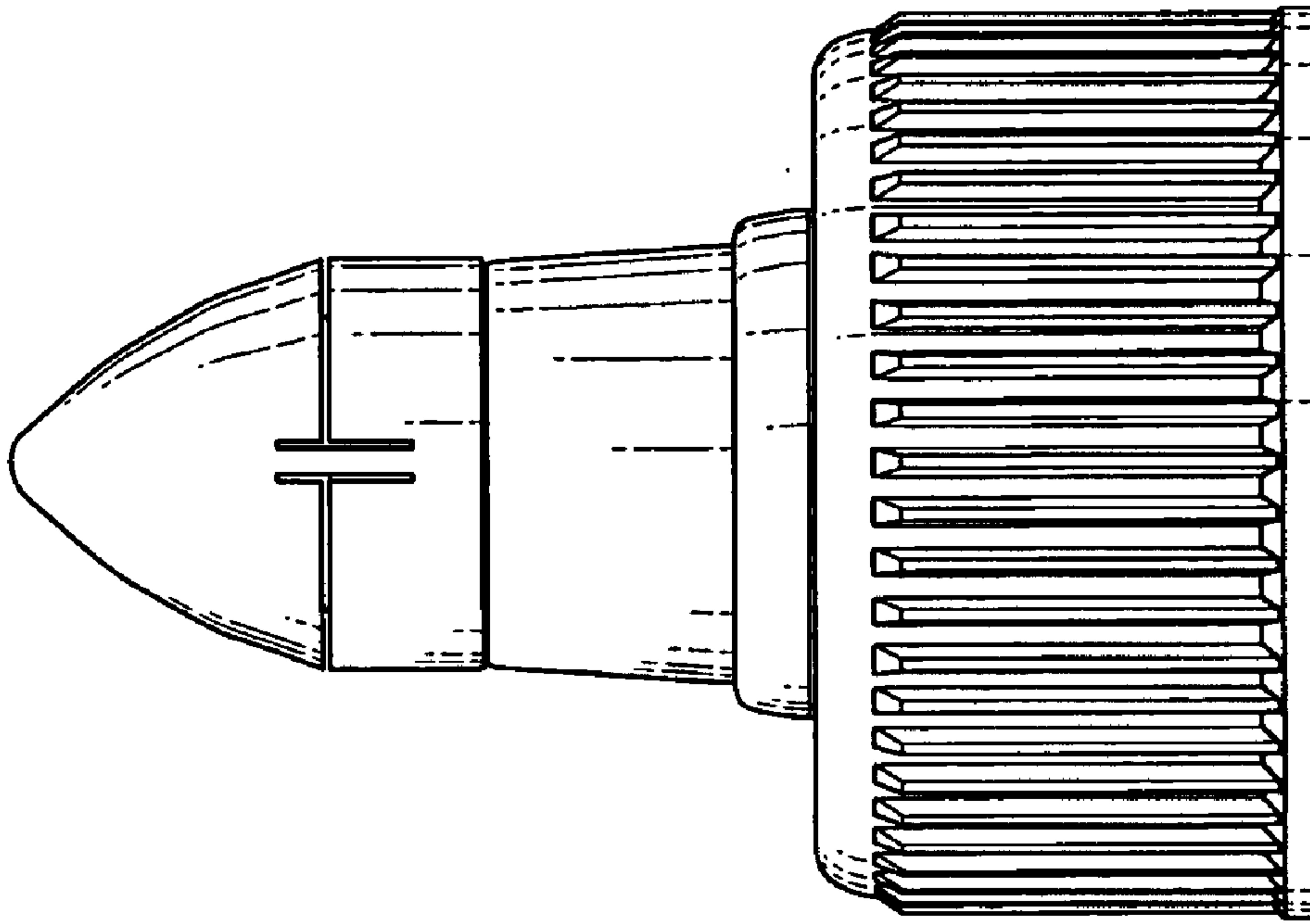
FIG. 1 is a perspective view of a cap for container of the present invention;  
 FIG. 2 is a front side elevational view of the cap of the present invention;  
 FIG. 3 is a rear side elevational view of the cap of the present invention;  
 FIG. 4 is a lateral side elevational view of the cap of the present invention, and which is duplicative of the reverse side thereof; and,  
 FIG. 5 is a top plan view of the cap of the present invention.

**1 Claim, 4 Drawing Sheets**

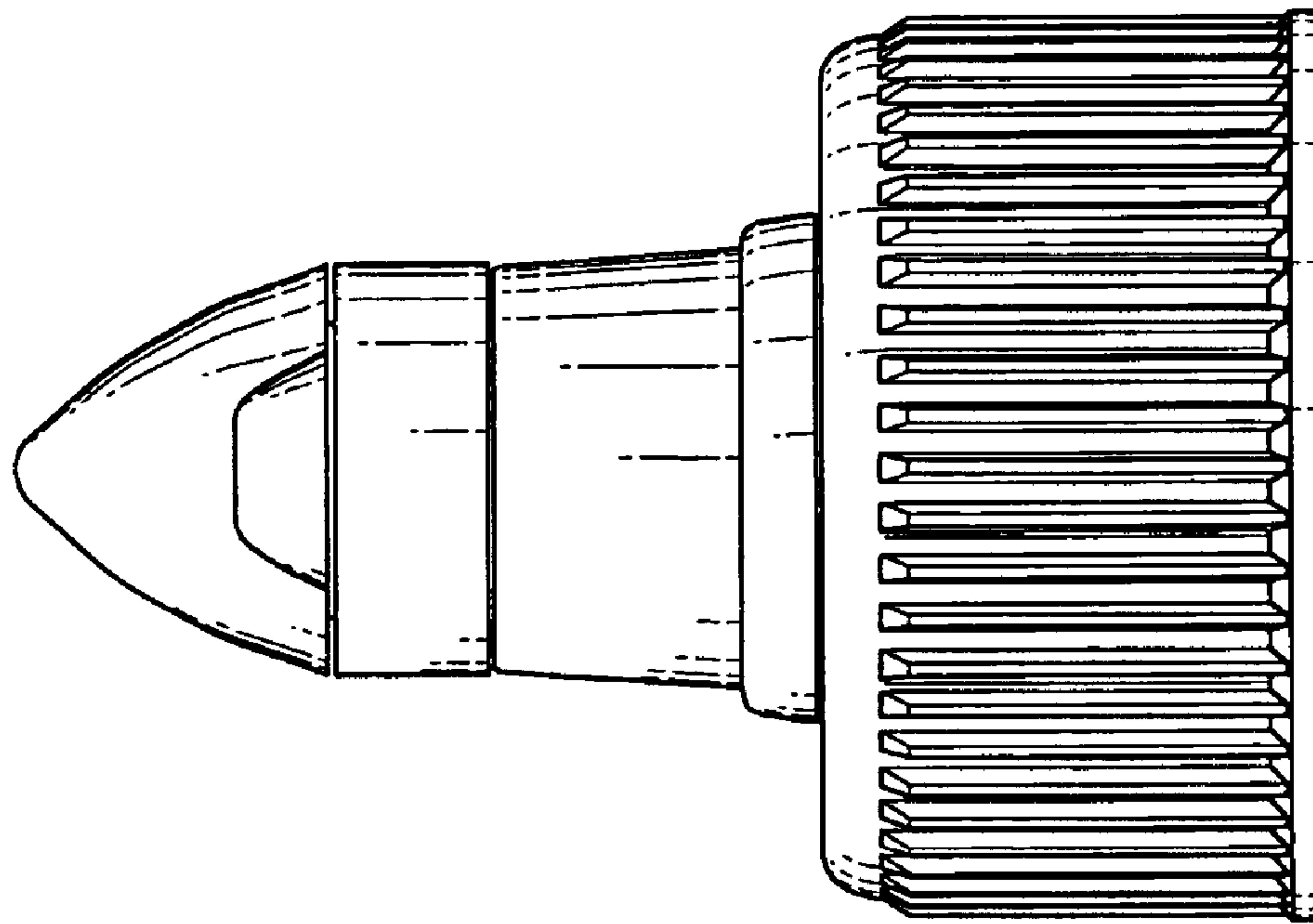




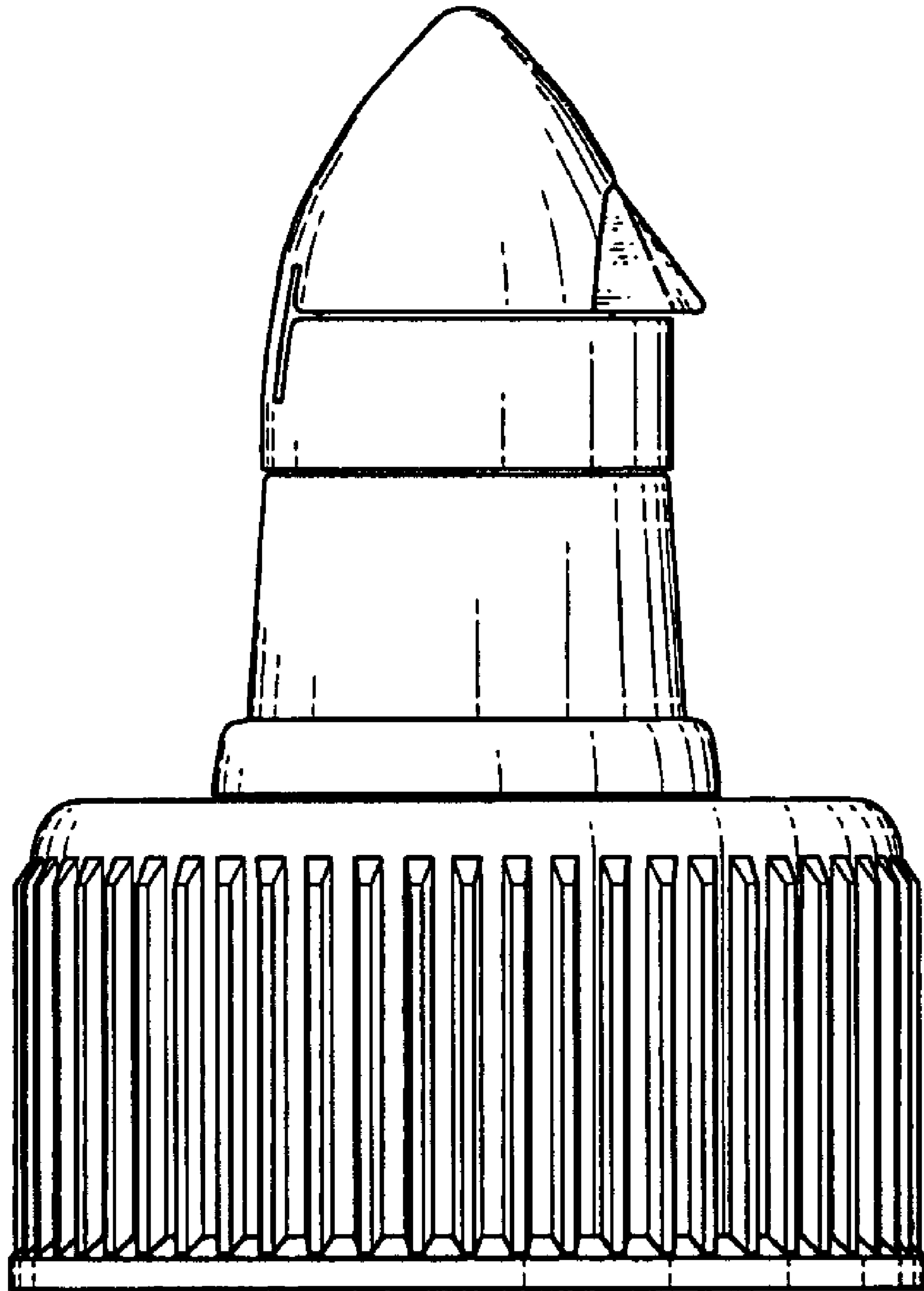
*Fig. 1*



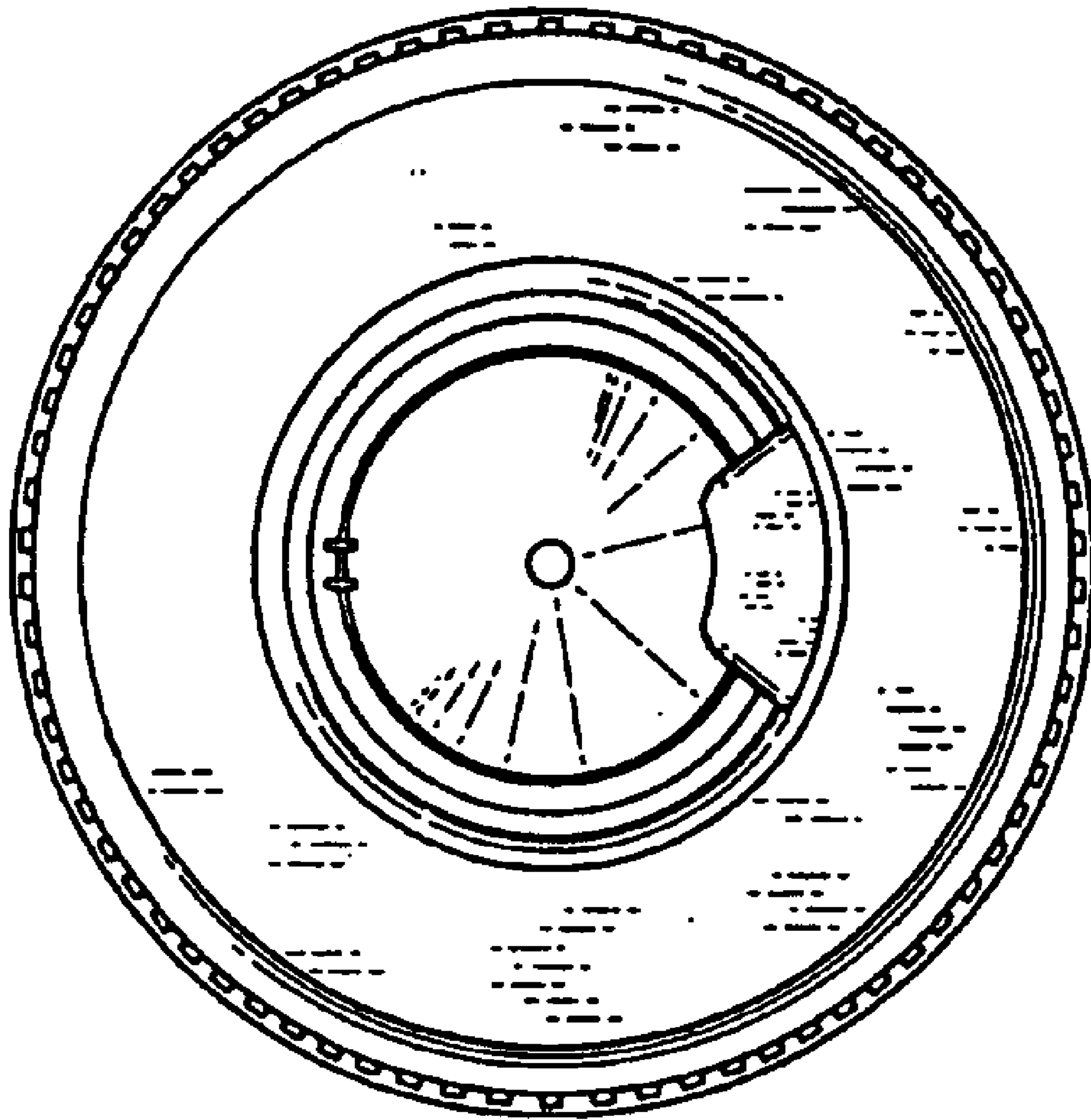
*Fig. 3*



*Fig. 2*



*Fig. 4*



*Fig. 5*