



US00D531027S

(12) **United States Design Patent**
Ramirez et al.

(10) **Patent No.:** **US D531,027 S**
(45) **Date of Patent:** **** Oct. 31, 2006**

(54) **COVER FOR FILLER FLATS CONTAINING EGGS**

(75) Inventors: **Richard L. Ramirez**, Lawrenceville, GA (US); **Mark A. Bergeron**, Monroe, GA (US)

(73) Assignee: **Tekni-Plex, Inc.**, Somerville, NJ (US)

(**) Term: **14 Years**

(21) Appl. No.: **29/215,075**

(22) Filed: **Oct. 13, 2004**

(51) **LOC (8) Cl.** **09-07**

(52) **U.S. Cl.** **D9/435; D9/456**

(58) **Field of Classification Search** D9/756, D9/755, 456, 435, 432, 431, 429, 428, 426, D9/425, 424, 418; D7/629, 601, 554.2, 551.1, D7/392.1, 391; D34/38; D3/323; 229/406; 220/556; 206/557, 518, 508
See application file for complete search history.

(56) **References Cited**

U.S. PATENT DOCUMENTS

D228,746 S * 10/1973 Kuchenbecker D9/435

D295,568 S * 5/1988 Rothwell et al. D34/38
D349,798 S * 8/1994 Hude et al. D34/28
D361,715 S * 8/1995 Hauptert D9/424
D494,337 S * 8/2004 Carpenter et al. D34/38

* cited by examiner

Primary Examiner—Robert M. Spear

Assistant Examiner—Susan Bennett Hattan

(74) *Attorney, Agent, or Firm*—Lerner, David, Littenberg, Krumholz & Mentlik, LLP

(57) **CLAIM**

We claim the ornamental design for a cover for filler flats containing eggs, as shown and described.

DESCRIPTION

FIG. 1 is top perspective view of a cover for filler flats containing eggs in accordance with our design; FIG. 2 is a front elevational view thereof, with the rear elevational view being a mirror image thereof; FIG. 3 is a right side elevational view thereof, with the left side elevational view being a mirror image thereof; FIG. 4 is a top elevational view thereof; and, FIG. 5 is a bottom elevational view thereof.

1 Claim, 2 Drawing Sheets

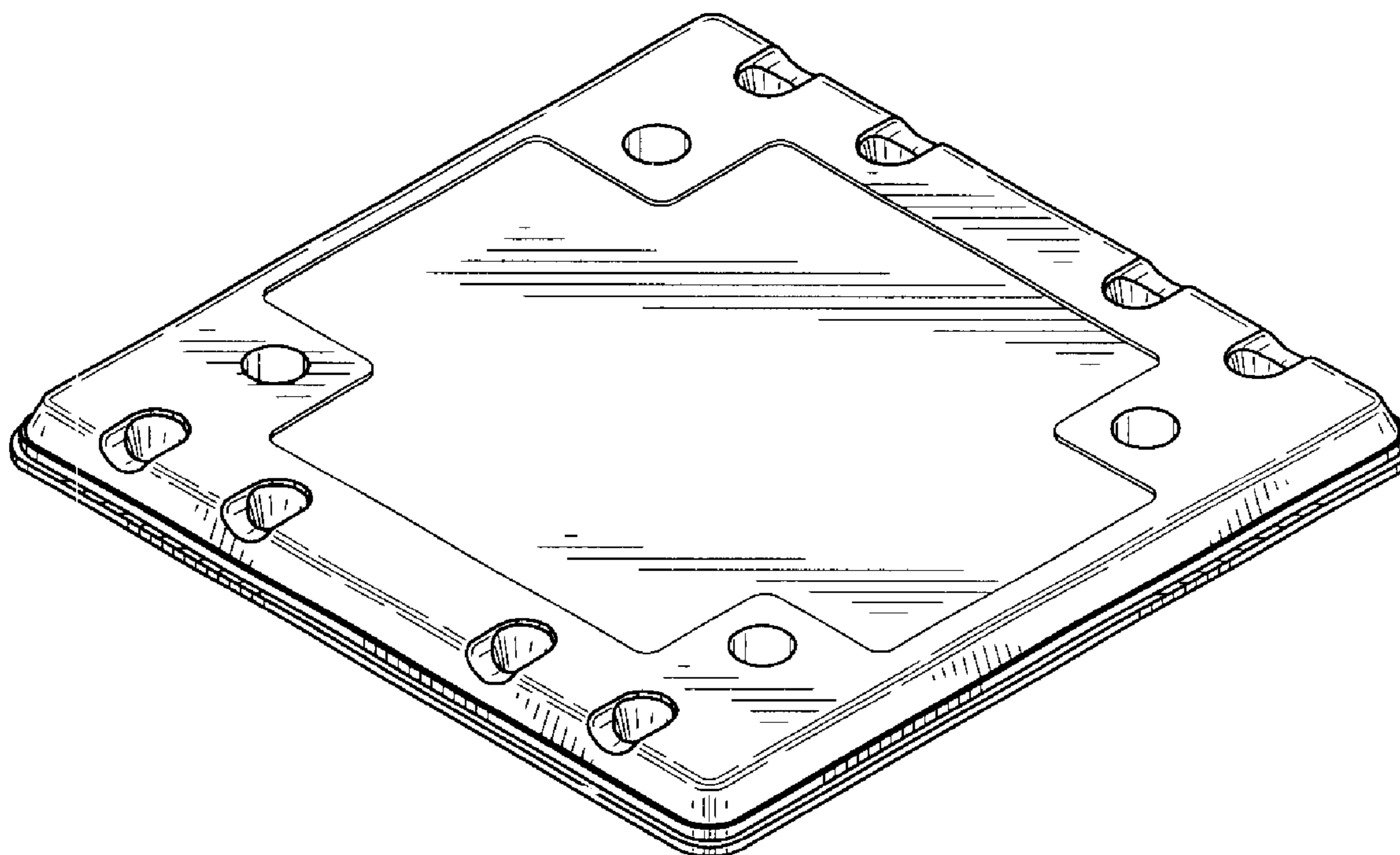


FIG. 1

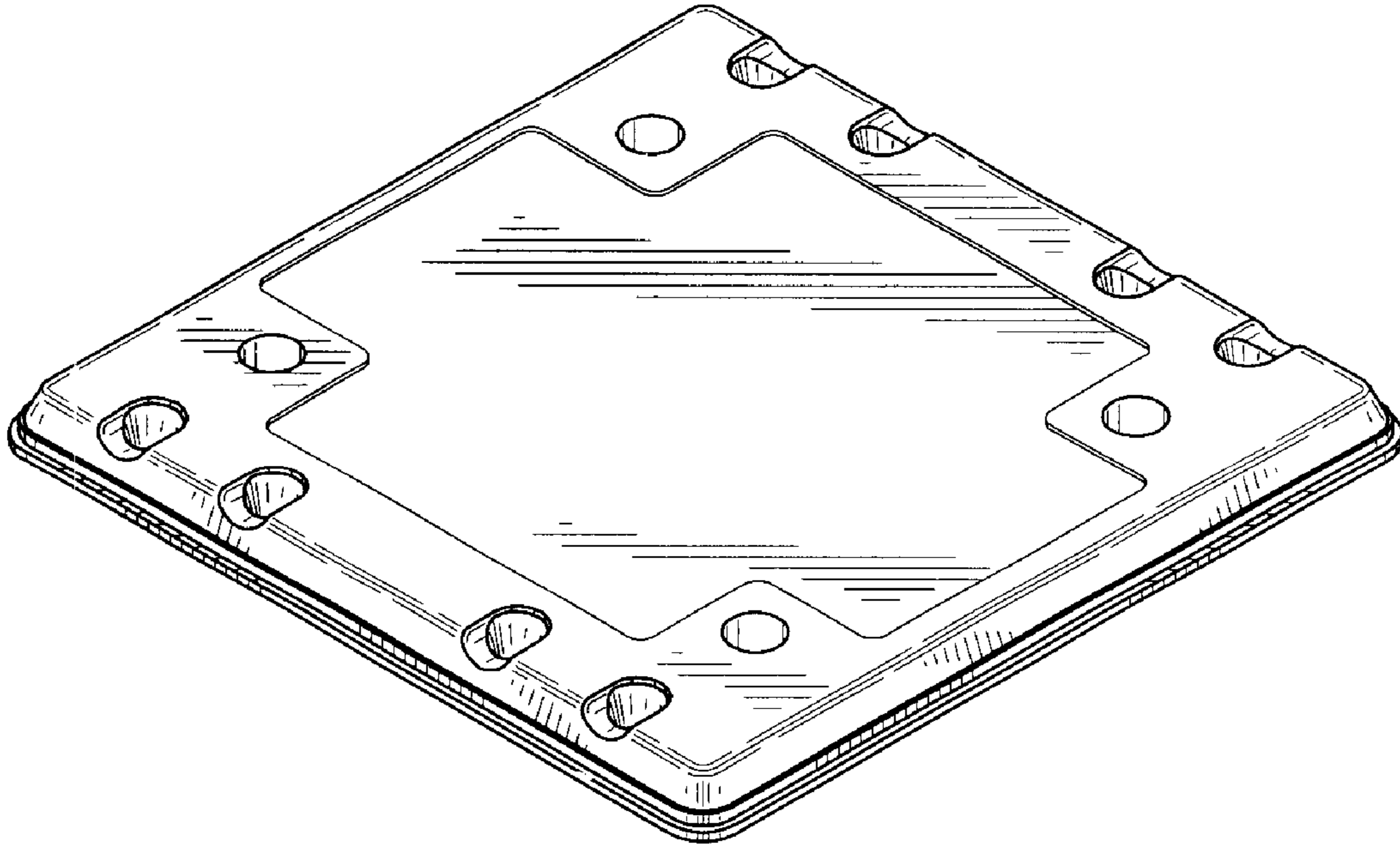


FIG. 2

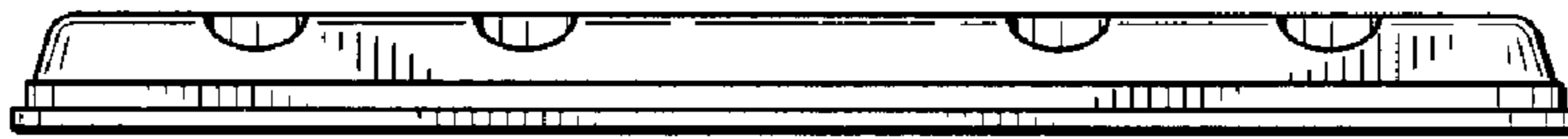


FIG. 3

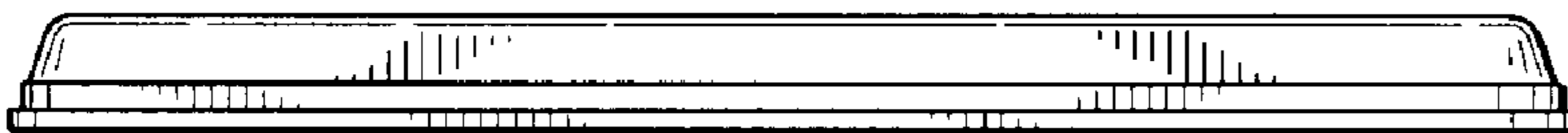


FIG. 4

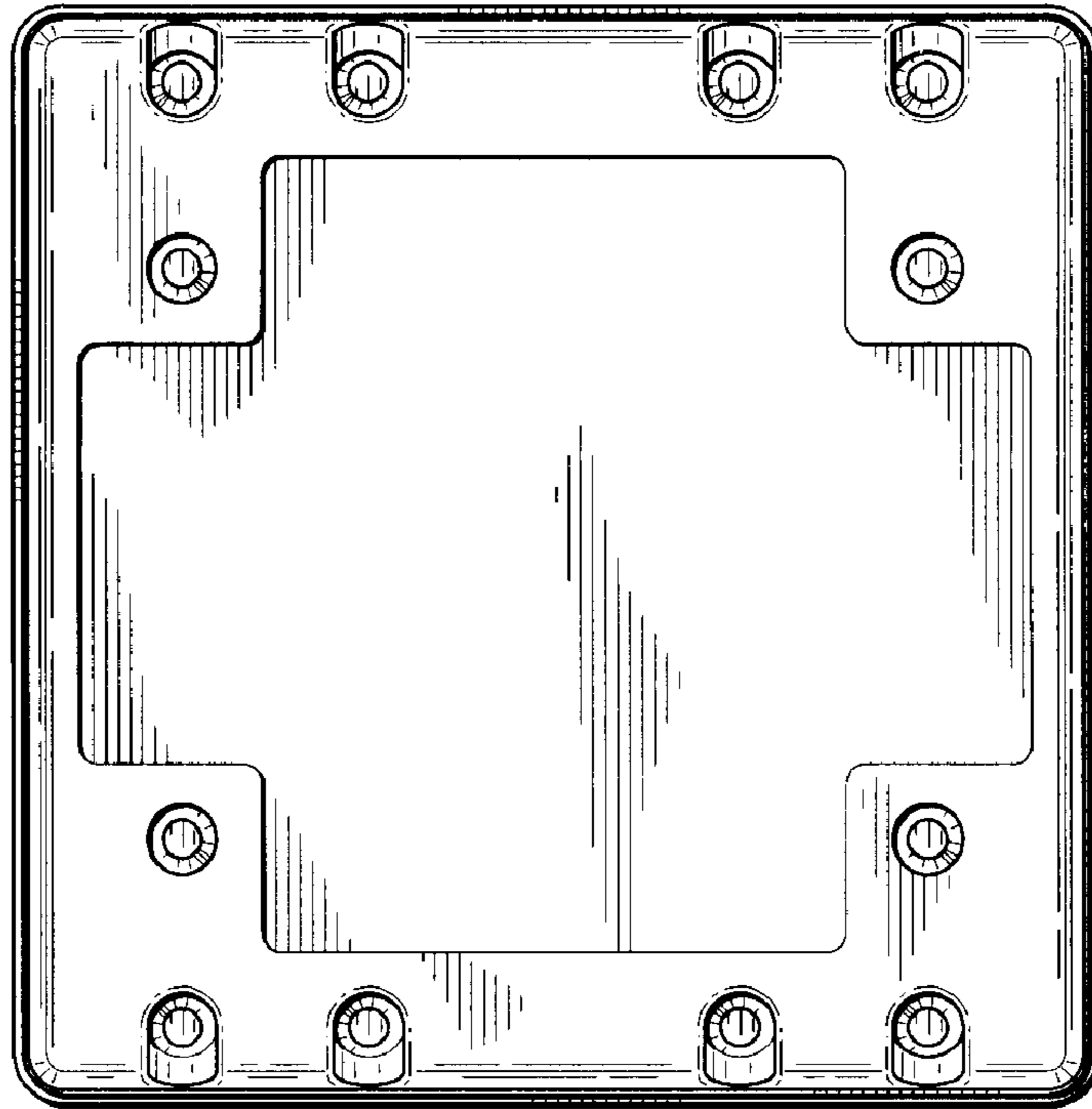


FIG. 5

