



US00D531024S

(12) **United States Design Patent**  
**Feldmeier**

(10) **Patent No.:** **US D531,024 S**  
(45) **Date of Patent:** **\*\* Oct. 31, 2006**

- (54) **FOOD PACKAGE**
- (75) Inventor: **Daniel R. Feldmeier**, Waunakee, WI (US)
- (73) Assignee: **Kraft Foods Holdings, Inc.**, Northfield, IL (US)
- (\*\*) Term: **14 Years**
- (21) Appl. No.: **29/216,268**
- (22) Filed: **Nov. 1, 2004**
- (51) **LOC (8) Cl.** ..... **09-03**
- (52) **U.S. Cl.** ..... **D9/425; D9/432**
- (58) **Field of Classification Search** ..... D9/425, D9/414, 416, 424, 429, 432; D7/601, 602, D7/629; 206/518, 520; 220/4.21, 556, 640, 220/643, 662; 229/406, 407  
See application file for complete search history.

- 6,158,197 A 12/2000 Mogard et al.
- RE37,171 E 5/2001 Busche et al.
- D449,495 S \* 10/2001 Tucker et al. .... D7/629
- D465,382 S 11/2002 Wolf et al.
- D470,048 S \* 2/2003 Buchalski et al. .... D9/425
- D470,757 S 2/2003 Espinel et al.
- D471,100 S 3/2003 Guzowski
- D471,766 S 3/2003 Bradley et al.
- D479,442 S 9/2003 Bergas
- 6,630,237 B1 10/2003 Rivett et al.
- D482,277 S 11/2003 Castellanos et al.
- D482,928 S 12/2003 Liu
- D483,232 S 12/2003 Liu
- D484,364 S 12/2003 Bailey et al.
- D485,173 S 1/2004 Jacquet

\* cited by examiner

*Primary Examiner*—Stella Reid  
*Assistant Examiner*—Derrick Holland  
(74) *Attorney, Agent, or Firm*—Fitch, Even, Tabin & Flannery

(56) **References Cited**  
U.S. PATENT DOCUMENTS

- 3,559,865 A 2/1971 Field et al.
- 3,803,332 A 4/1974 Seiferth et al.
- 3,978,260 A 8/1976 Dobbins et al.
- 4,113,095 A \* 9/1978 Dietz et al. .... 206/508
- 4,875,587 A 10/1989 Lulham et al.
- D305,732 S \* 1/1990 Hadtke ..... D9/415
- 4,894,248 A 1/1990 Pappas et al.
- 5,074,416 A 12/1991 Hustad
- D352,454 S \* 11/1994 Krupa ..... D9/425
- 5,520,939 A 5/1996 Wells
- 5,582,853 A 12/1996 Marnocha et al.
- 5,595,776 A 1/1997 Selz
- D381,264 S 7/1997 Lippincott
- D387,272 S 12/1997 Lippincott
- 5,702,743 A 12/1997 Wells
- 5,779,050 A 7/1998 Kocher et al.
- 5,795,604 A 8/1998 Wells et al.
- 5,971,152 A \* 10/1999 Bowsman ..... 206/438
- D420,911 S \* 2/2000 Panasewicz ..... D9/432
- 6,083,550 A 7/2000 Cochran et al.
- D432,409 S 10/2000 Feldmeier
- D432,867 S 10/2000 Oravez

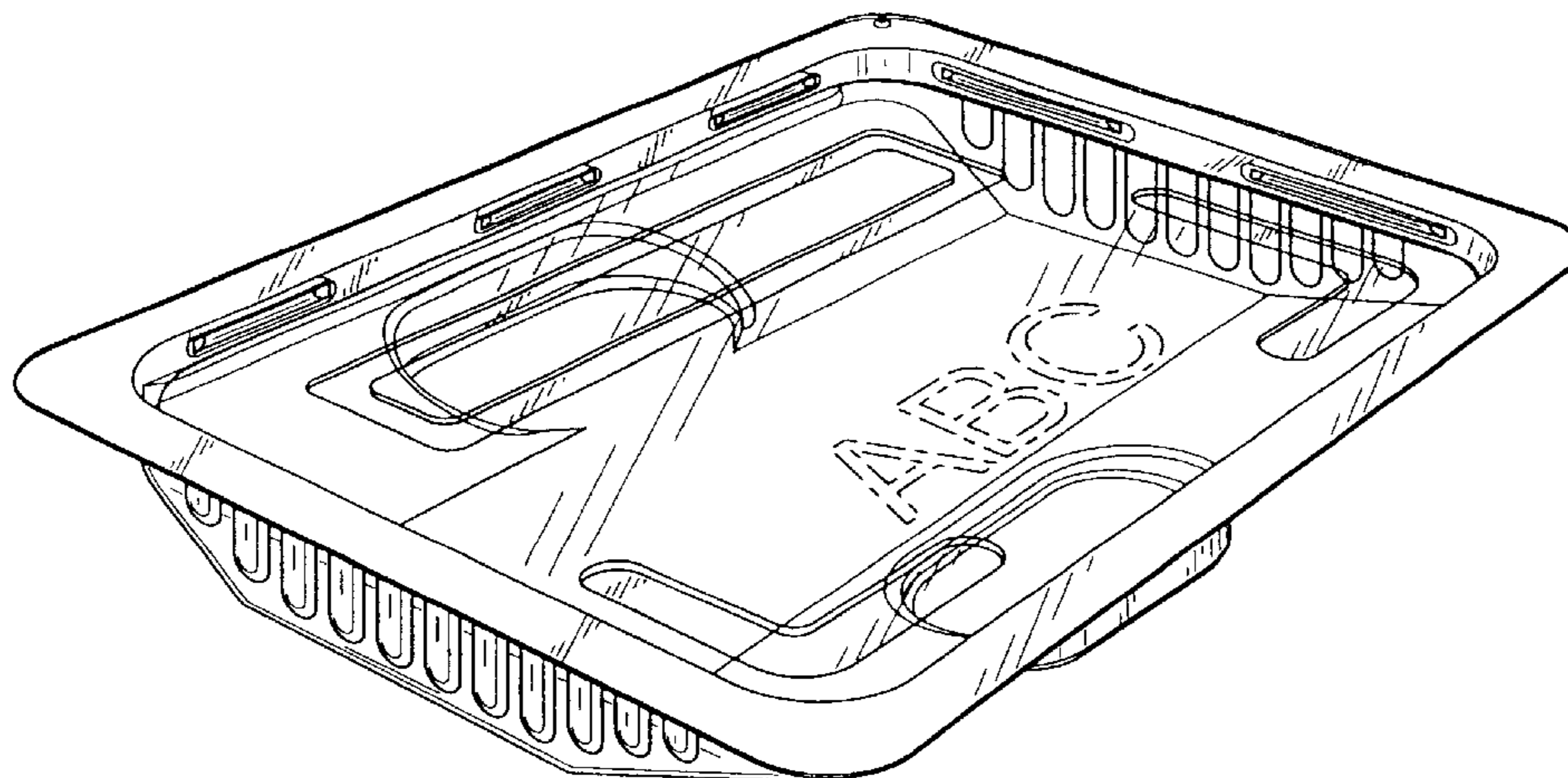
(57) **CLAIM**

The ornamental design for a food package, as shown and described.

**DESCRIPTION**

FIG. 1 is a perspective view of a food package, showing my new design;  
FIG. 2 is a perspective view thereof, in a horizontal orientation;  
FIG. 3 is a front elevational view thereof;  
FIG. 4 is a top plan view thereof;  
FIG. 5 is a bottom plan view thereof;  
FIG. 6 is a rear elevational view thereof;  
FIG. 7 is a right side elevational view thereof;  
FIG. 8 is a left side elevational view thereof; and,  
FIG. 9 is an exploded perspective view thereof, showing the lid lifted off the food package.  
The broken line portions shown in the food package are for illustrative purposes only and form no part of the claimed design.

**1 Claim, 8 Drawing Sheets**



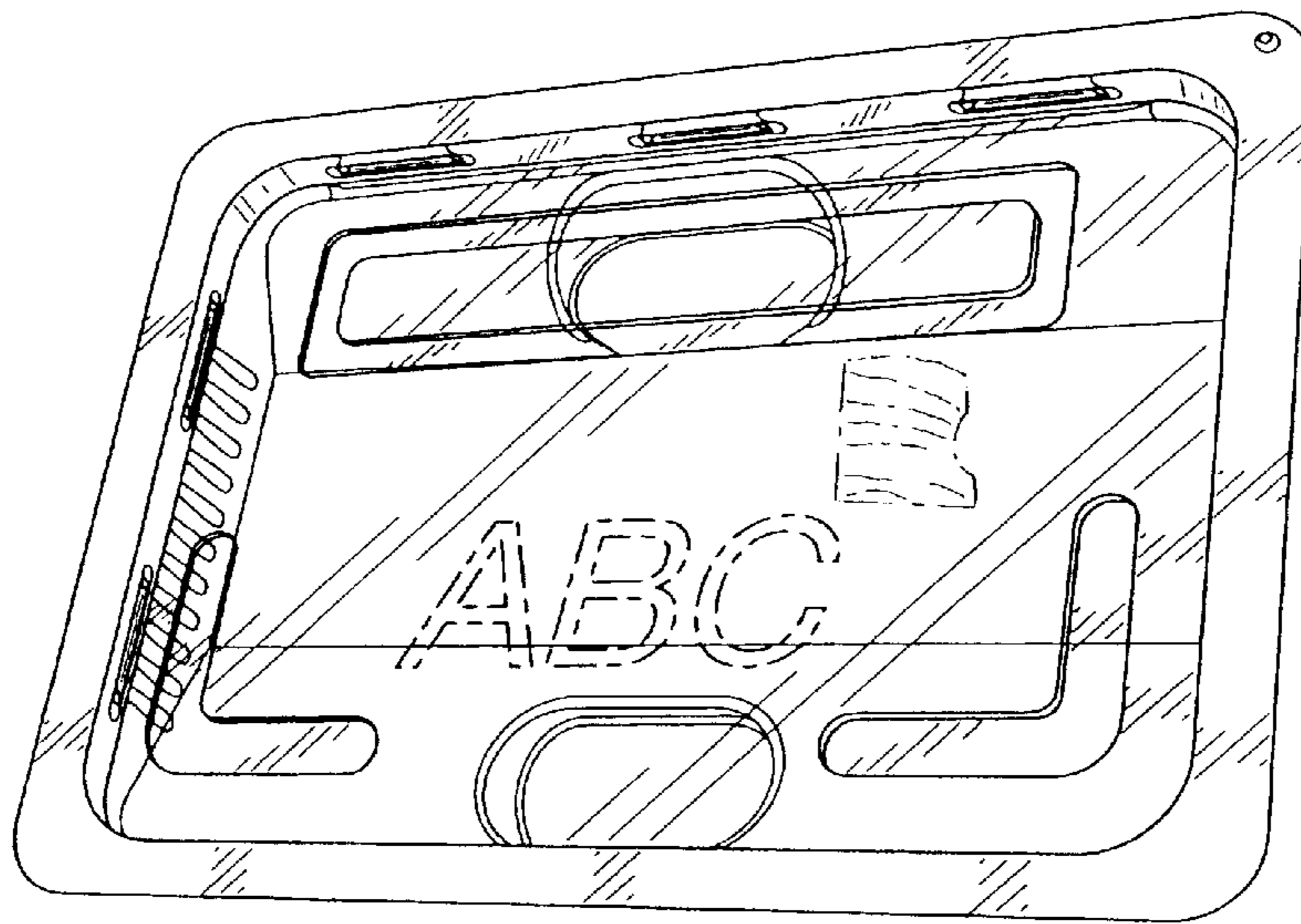


FIG. 1

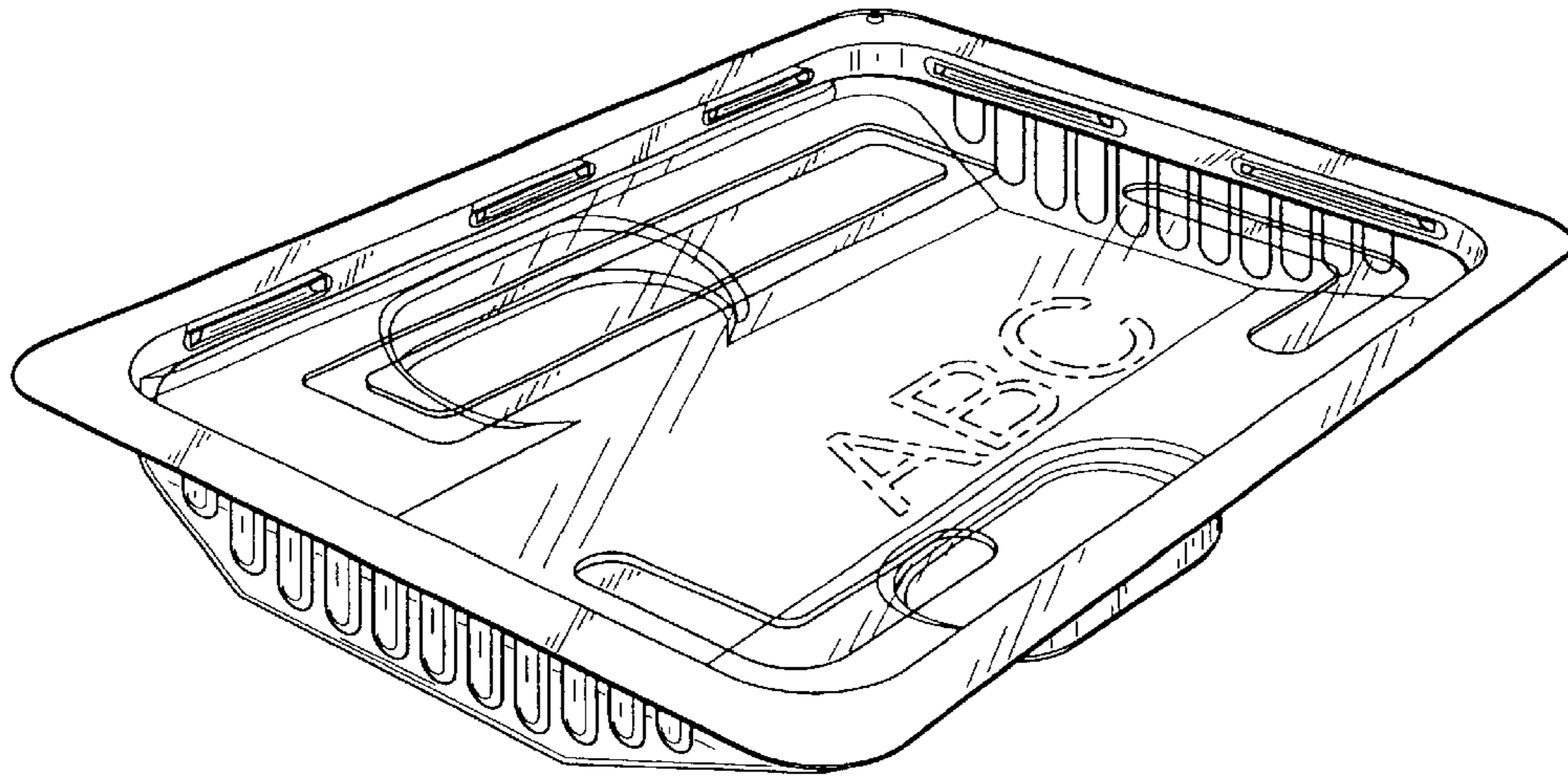


FIG. 2

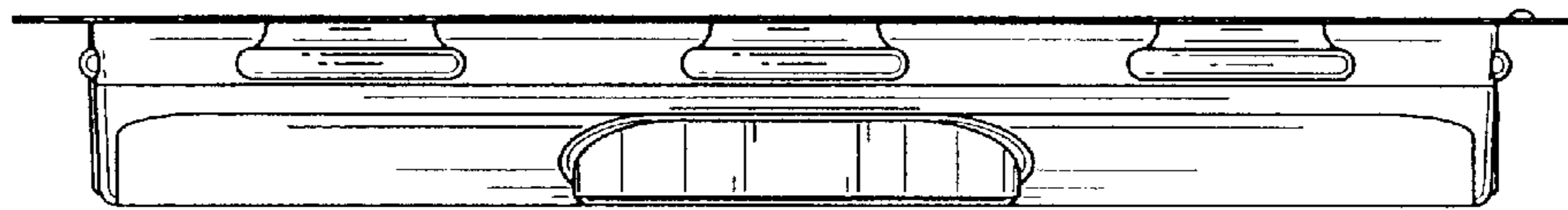


FIG. 3

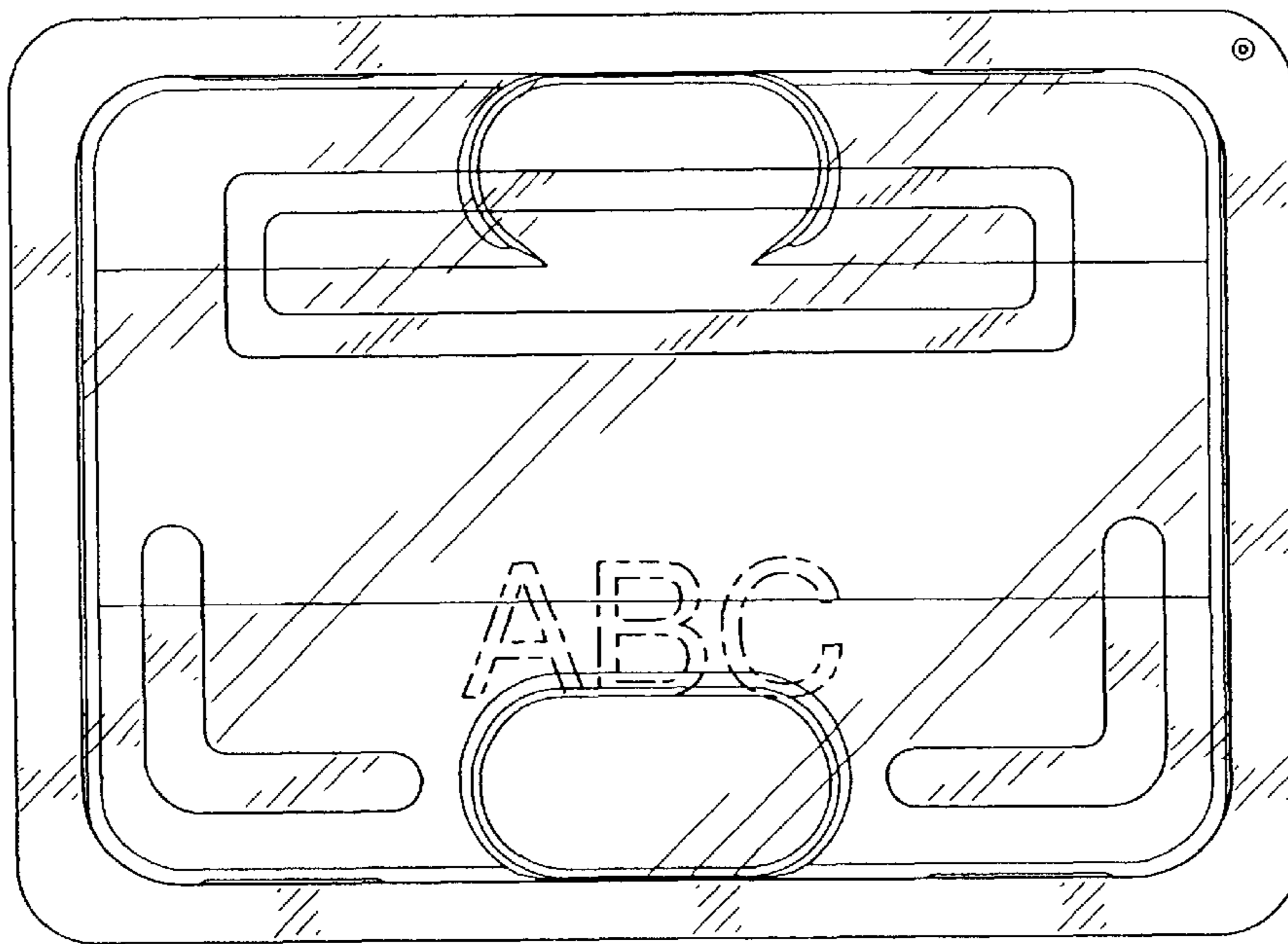


FIG. 4

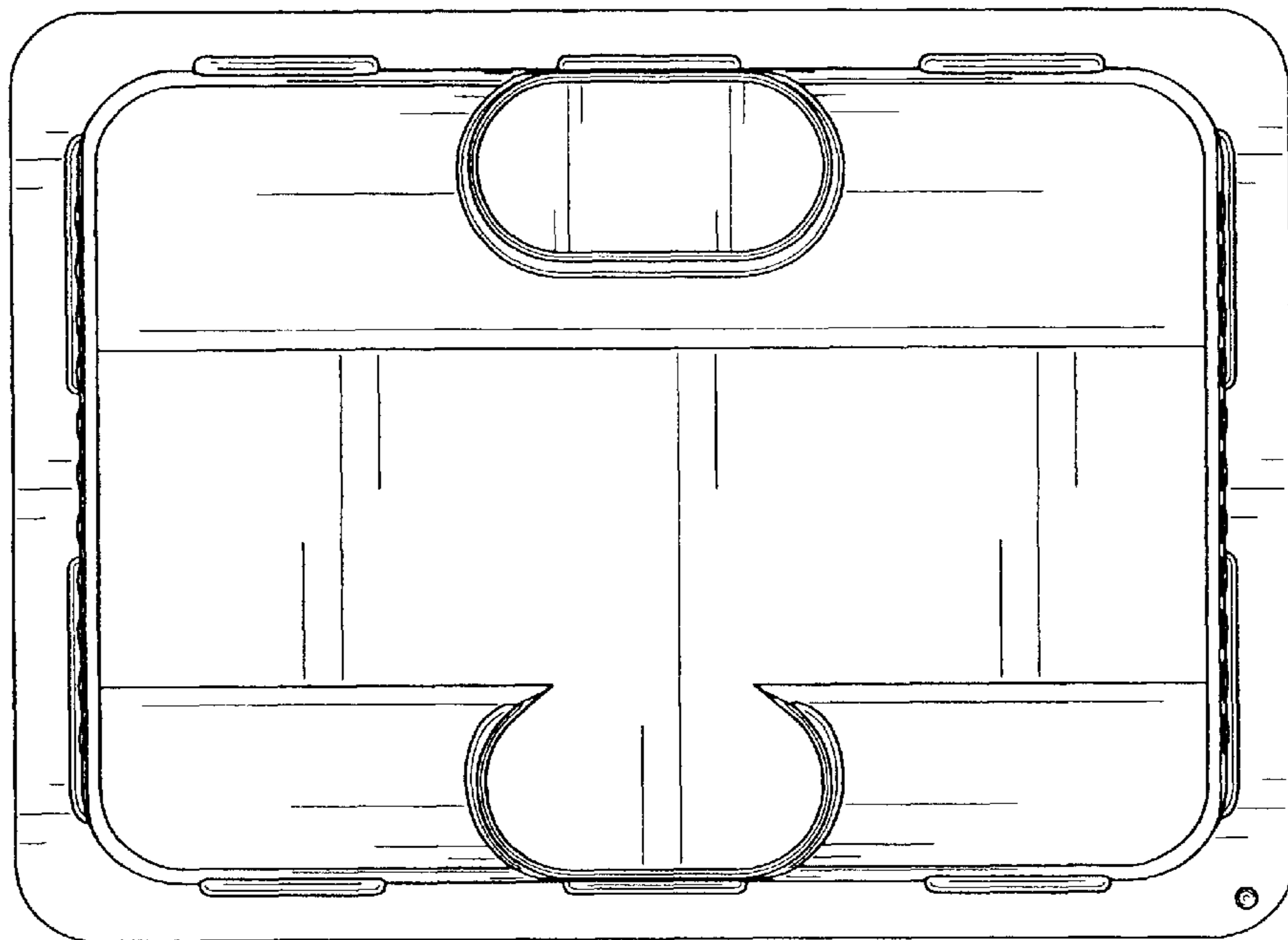


FIG. 5

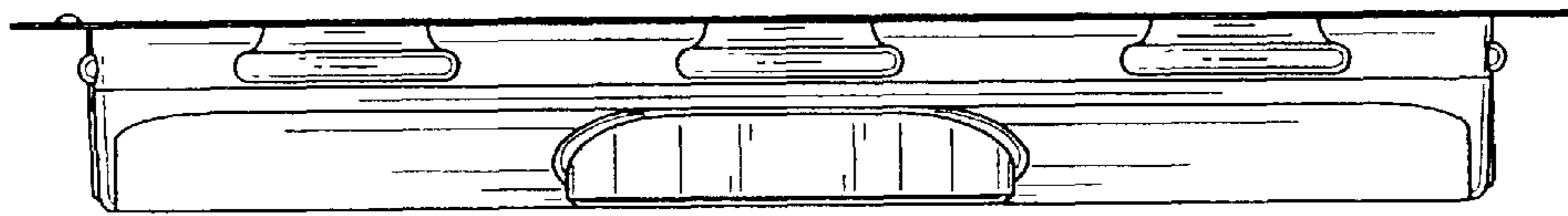


FIG. 6

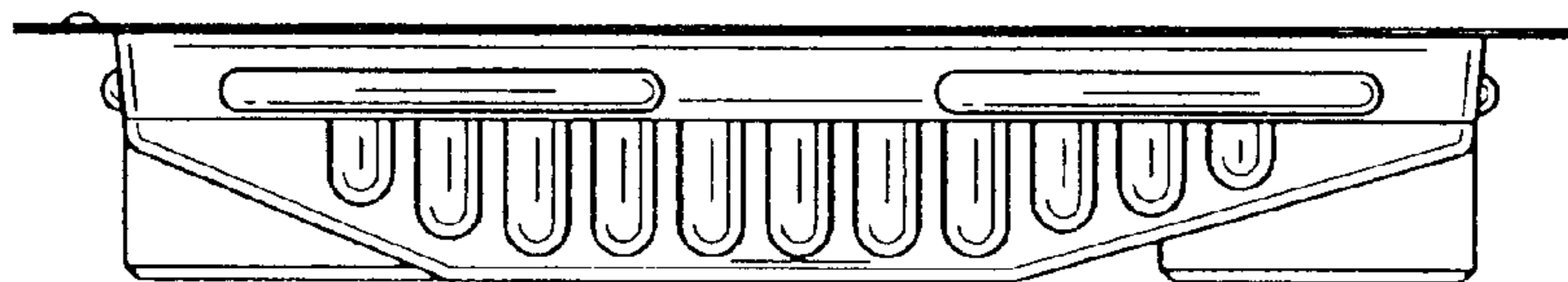


FIG. 7

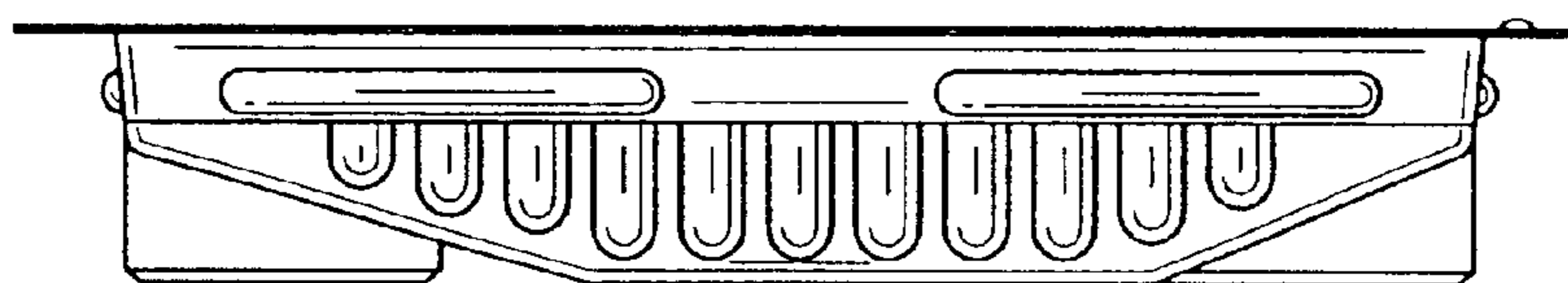


FIG. 8



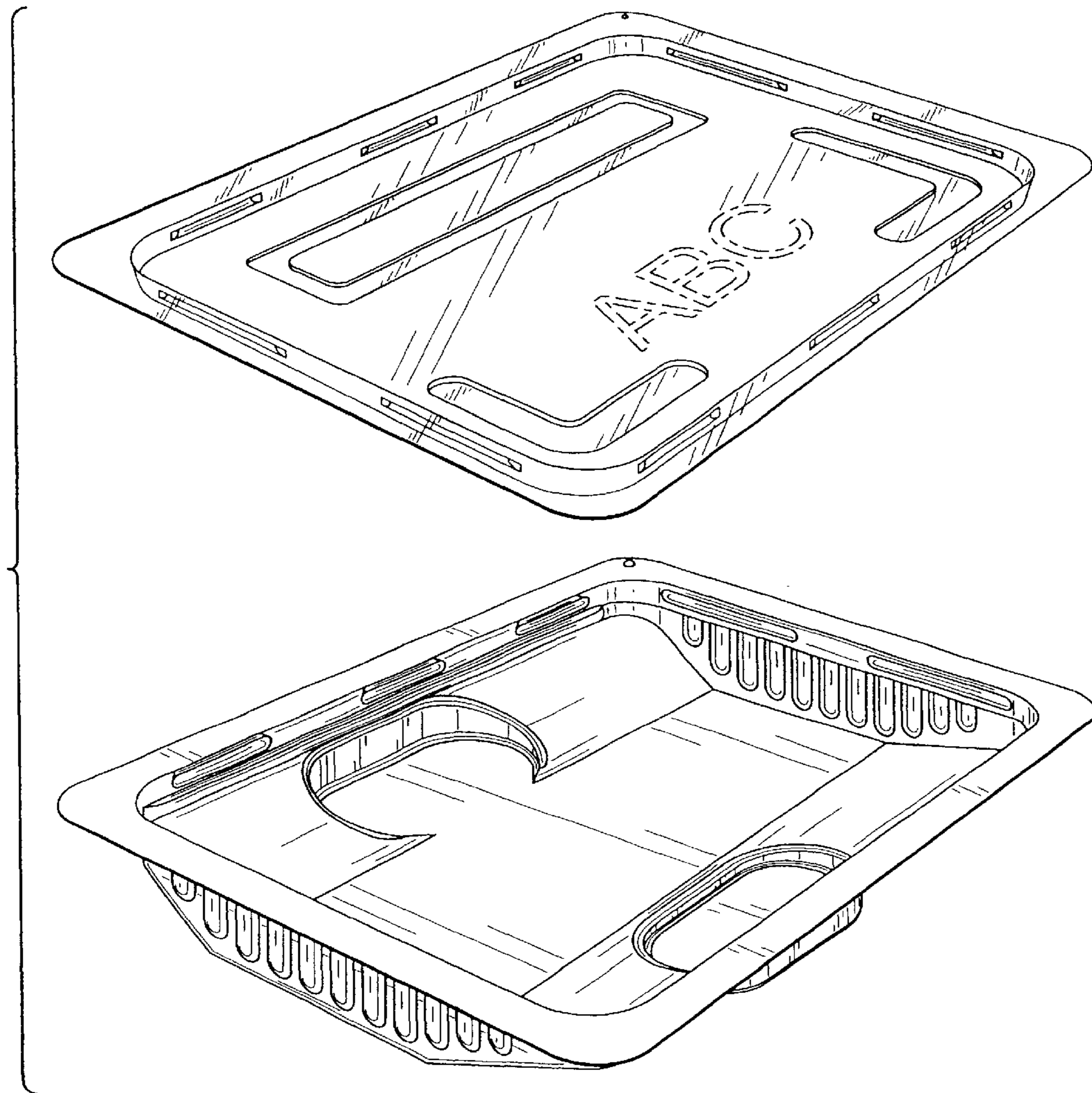


FIG. 9