



US00D531020S

(12) **United States Design Patent**
Chustak

(10) **Patent No.:** **US D531,020 S**

(45) **Date of Patent:** **** Oct. 31, 2006**

(54) **SAFETY GUARD FOR A HINGE**

(76) Inventor: **Daniel A. Chustak**, 602 E. Eckman St.,
South Bend, IN (US) 46614

(**) Term: **14 Years**

(21) Appl. No.: **29/199,704**

(22) Filed: **Feb. 18, 2004**

(51) **LOC (8) Cl.** **08-09**

(52) **U.S. Cl.** **D8/402**

(58) **Field of Classification Search** D8/400,
D8/402, 349, 323; 16/250, 223, 380; 206/321
See application file for complete search history.

(56) **References Cited**

U.S. PATENT DOCUMENTS

D304,012 S	*	10/1989	Masuda	D8/323
D355,349 S	*	2/1995	Taparauskas, Jr.	D8/349
D366,821 S	*	2/1996	Ainscough	D8/323
5,490,306 A	*	2/1996	Floyd et al.	16/250
D372,190 S	*	7/1996	Price	D8/402

5,991,975 A	*	11/1999	Baer	16/250
D468,252 S	*	1/2003	Morris	D8/349
6,883,205 B1	*	4/2005	Martinez-Munoz	16/250

* cited by examiner

Primary Examiner—Brian N Vinson

(74) *Attorney, Agent, or Firm*—Leo H McCormick, Jr.

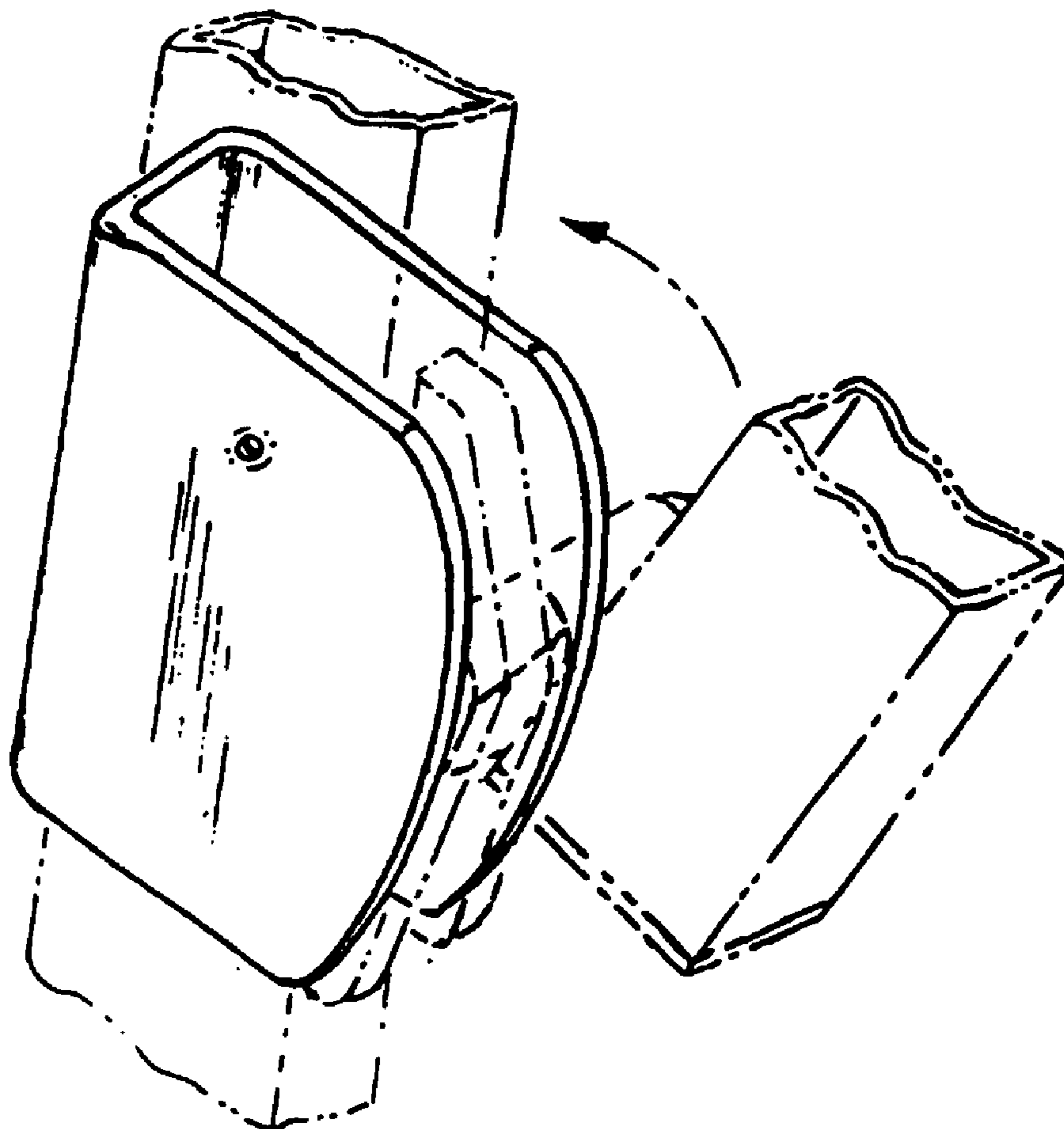
(57) **CLAIM**

The ornamental design for a safety guard for a hinge, as shown and described.

DESCRIPTION

FIG. 1 is a prospective view of a door with a safety guard for a hinge showing my new design; FIG. 2 is side elevation view thereof; FIG. 3 is a front elevation view thereof; FIG. 4 is a top view; and, FIG. 5 is a rear elevation view thereof. The hinge as illustrated in FIG. 1 are included to illustrate an associated environment and form no part of the claimed invention.

1 Claim, 1 Drawing Sheet



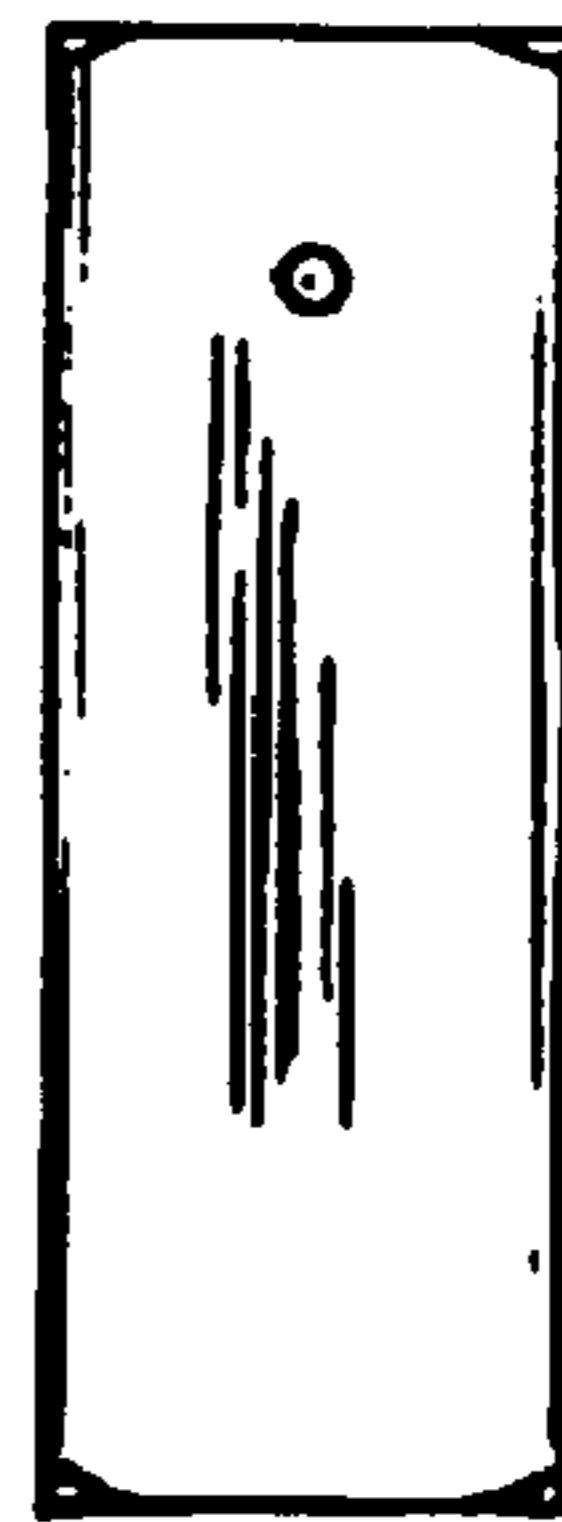
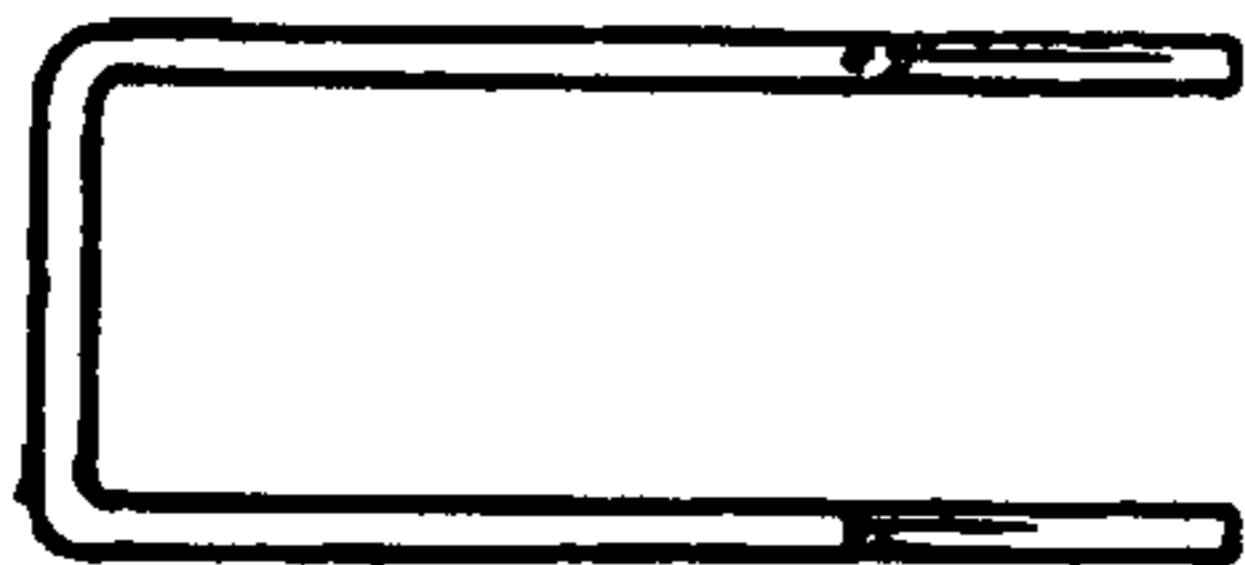
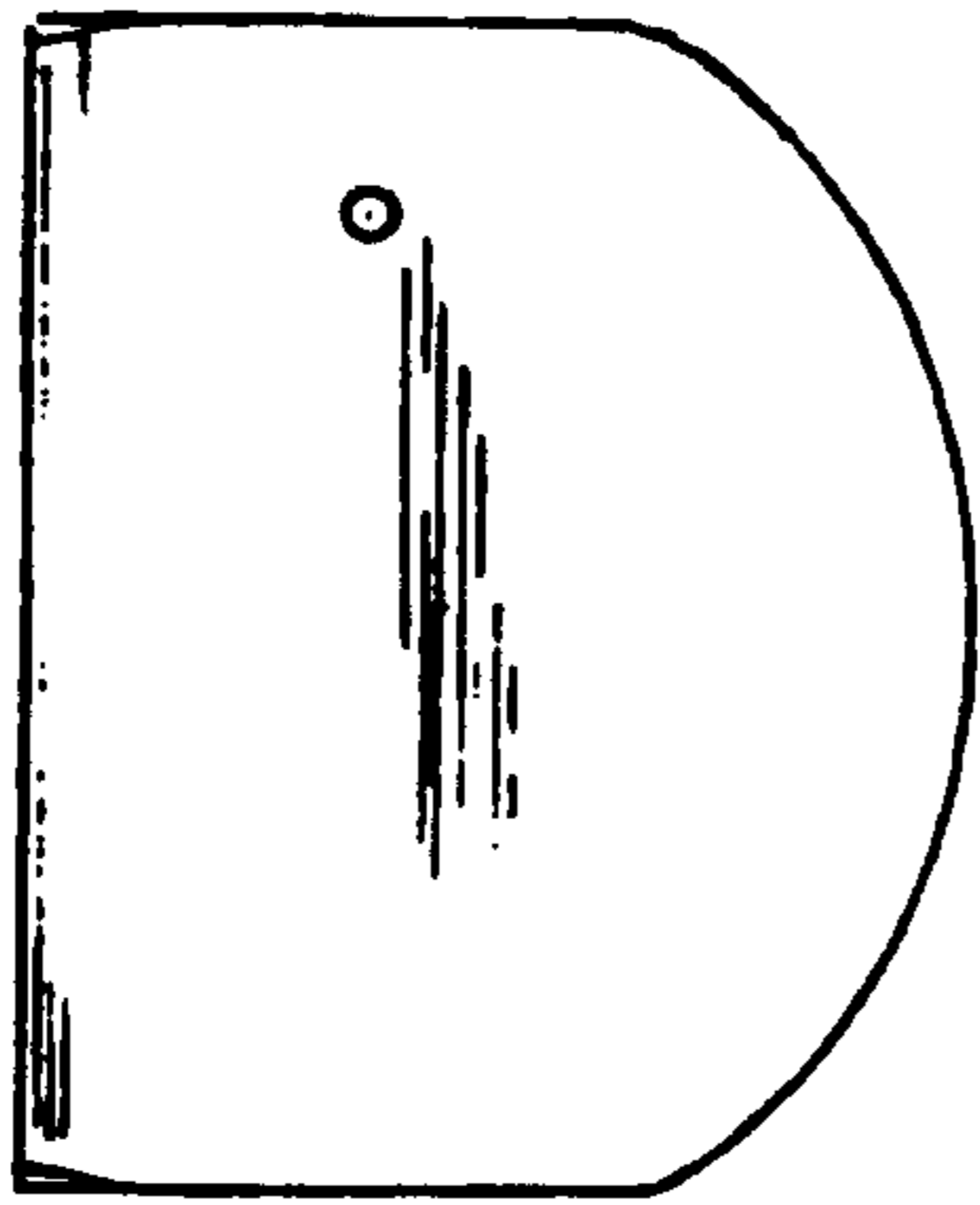
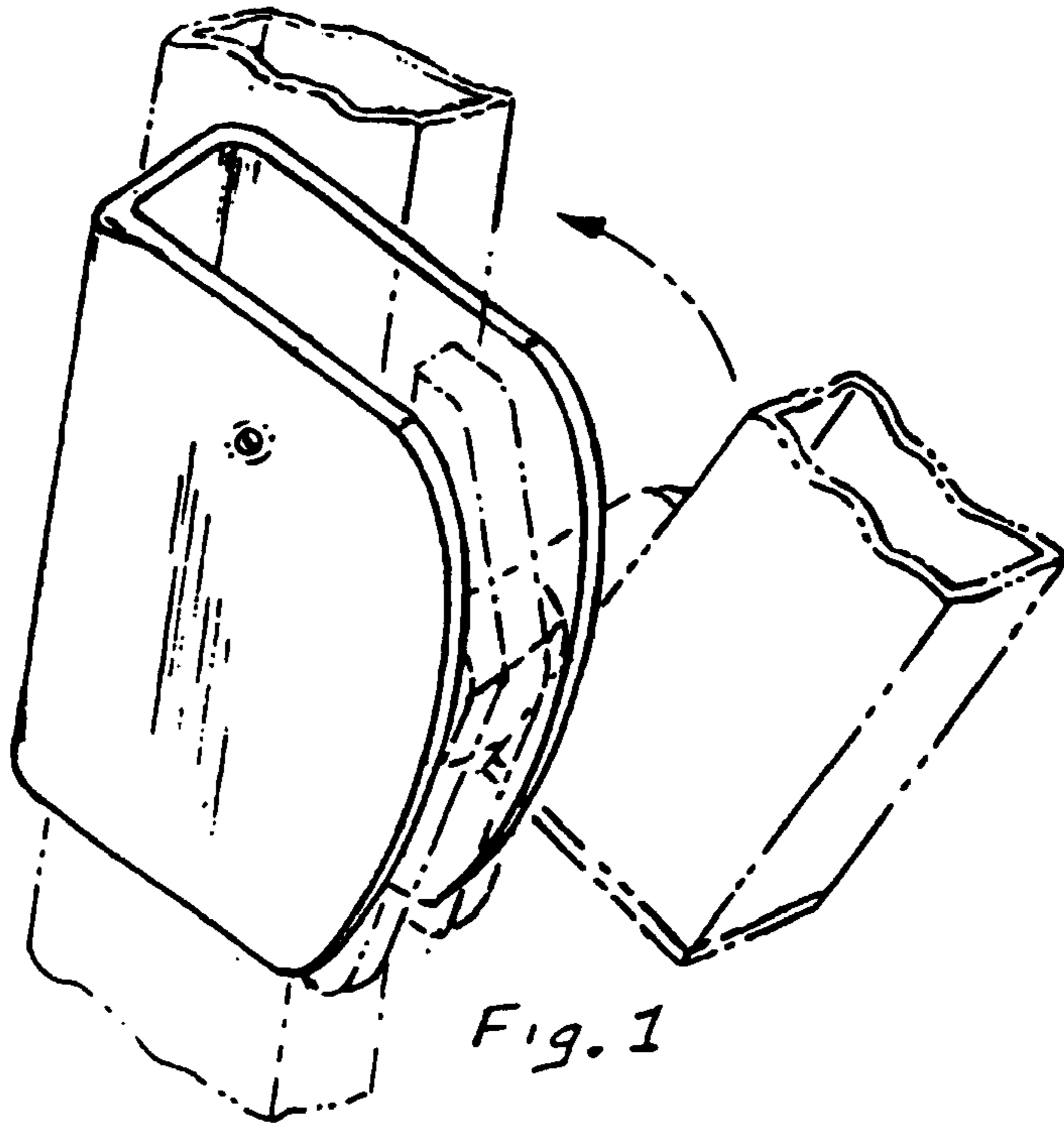


Fig. 4

Fig. 5