

US00D531018S

(12) **United States Design Patent**
Jackson et al.

(10) **Patent No.:** **US D531,018 S**

(45) **Date of Patent:** **** Oct. 31, 2006**

- (54) **CLIP**
- (75) Inventors: **Trevor Jackson**, Kirtland, OH (US);
Johnny Cox, Rowlett, TX (US)
- (73) Assignee: **Emerald Innovations, LLC**, Bulter, PA (US)
- (**) Term: **14 Years**
- (21) Appl. No.: **29/239,264**
- (22) Filed: **Sep. 28, 2005**
- (51) **LOC (8) Cl.** **08-08**
- (52) **U.S. Cl.** **D8/395**
- (58) **Field of Classification Search** D8/356,
D8/371, 394-396, 499, 53, 100, 365; D12/51;
D19/65, 90; D28/39, 40, 42; 24/546, 563,
24/910, 327, 334, DIG. 8, DIG. 9, DIG. 13,
24/DIG. 28; 248/74.2, 300, 301, 316.7, 229.26
See application file for complete search history.

- D405,681 S 2/1999 McDowell et al.
- D406,383 S 3/1999 Adams
- 5,910,351 A * 6/1999 Davis et al. 428/100
- D414,291 S 9/1999 Gary et al.
- D416,788 S 11/1999 Jones et al.
- D421,565 S 3/2000 Jones et al.
- D422,203 S 4/2000 Gary et al.
- D424,418 S 5/2000 Gary et al.
- D424,419 S 5/2000 Avinger
- D427,510 S 7/2000 Gary et al.
- 6,131,865 A 10/2000 Adams
- D435,684 S 12/2000 Gary et al.
- D451,007 S 11/2001 Jones et al.
- 6,328,459 B1 12/2001 Adams
- D455,065 S * 4/2002 Berg D8/371
- D460,912 S 7/2002 Gary et al.
- 6,513,772 B1 2/2003 Gary et al.
- 6,644,836 B1 11/2003 Adams
- D492,890 S 7/2004 Adams
- D494,849 S 8/2004 Jones et al.
- 2005/0017144 A1 1/2005 Jackson et al.

* cited by examiner

Primary Examiner—Louis S. Zarfaz

Assistant Examiner—John Windmuller

(74) *Attorney, Agent, or Firm*—Calfee, Halter & Griswold LLP

(56) **References Cited**

U.S. PATENT DOCUMENTS

- D176,013 S * 11/1955 Hamel D22/147
- D251,124 S * 2/1979 Takeuchi D19/65
- D290,931 S * 7/1987 Powell D8/373
- D298,738 S * 11/1988 Rumpel D8/395
- 5,141,192 A 8/1992 Adams
- D331,360 S 12/1992 Adams
- D356,246 S 3/1995 Adams
- D356,492 S 3/1995 Adams
- D360,572 S 7/1995 Adams
- D360,573 S 7/1995 Adams
- D365,014 S * 12/1995 Fennessy et al. D8/371
- D368,016 S 3/1996 McDowell et al.
- D368,017 S 3/1996 McDowell et al.
- D368,018 S 3/1996 McDowell et al.
- D376,535 S 12/1996 Gary et al.
- D376,973 S 12/1996 Brown
- D383,666 S 9/1997 Adams
- 5,669,709 A 9/1997 Adams
- D396,184 S 7/1998 Adams et al.

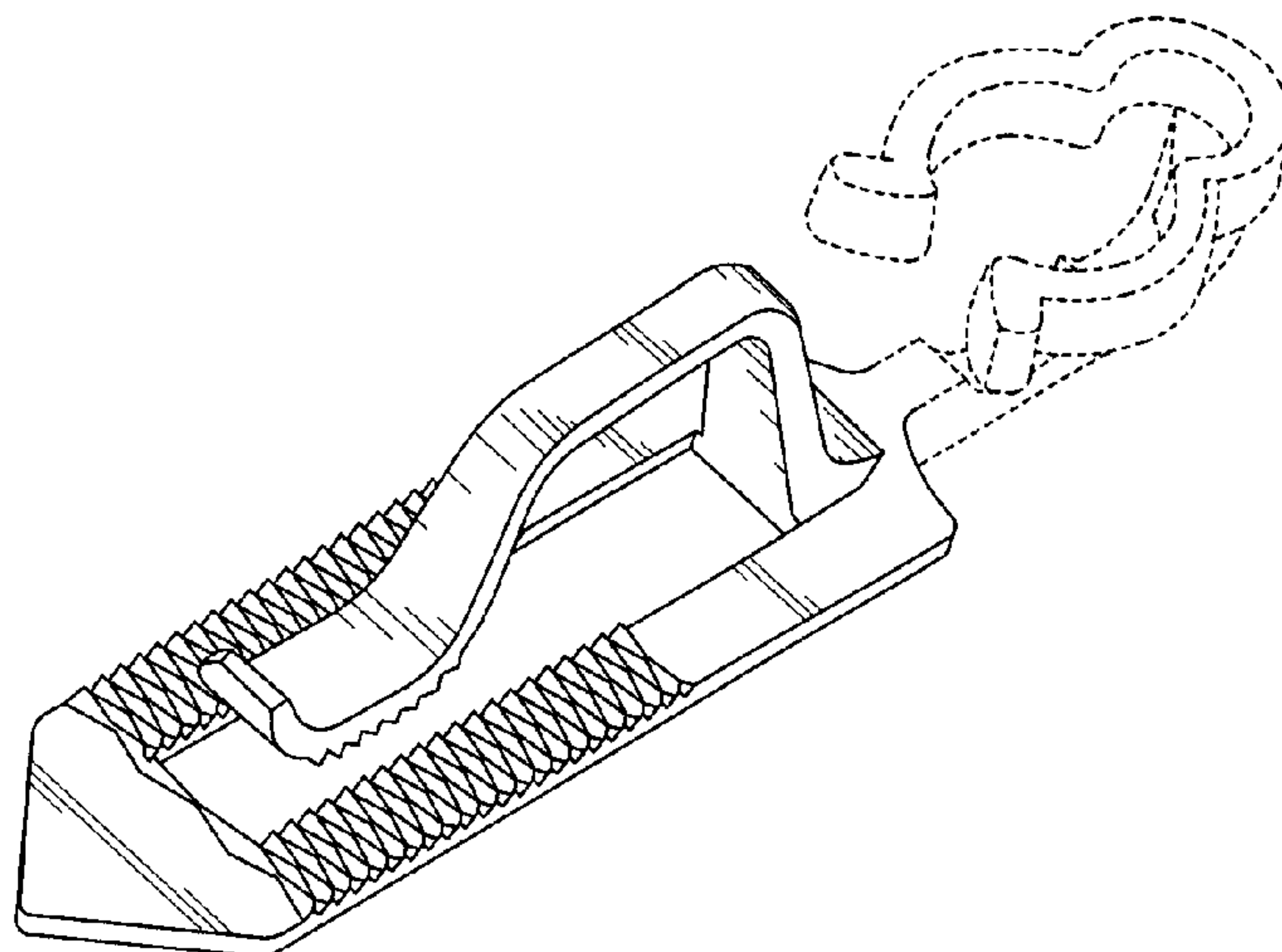
(57) **CLAIM**

The ornamental design for a clip, as shown and described.

DESCRIPTION

FIG. 1 is a perspective view of a clip of the new design; FIG. 2 is a front elevational view of the clip of FIG. 1; FIG. 3 is a rear elevational view of the clip of FIG. 1; FIG. 4 is a right side elevational view of the clip of FIG. 1; FIG. 5 is a left side elevational view of the clip of FIG. 1; FIG. 6 is a top plan view of the clip of FIG. 1; and, FIG. 7 is a bottom plan view of the clip of FIG. 1. The portions of the Figures shown in broken lines are not part of the claimed design and are for illustration purposes only.

1 Claim, 2 Drawing Sheets



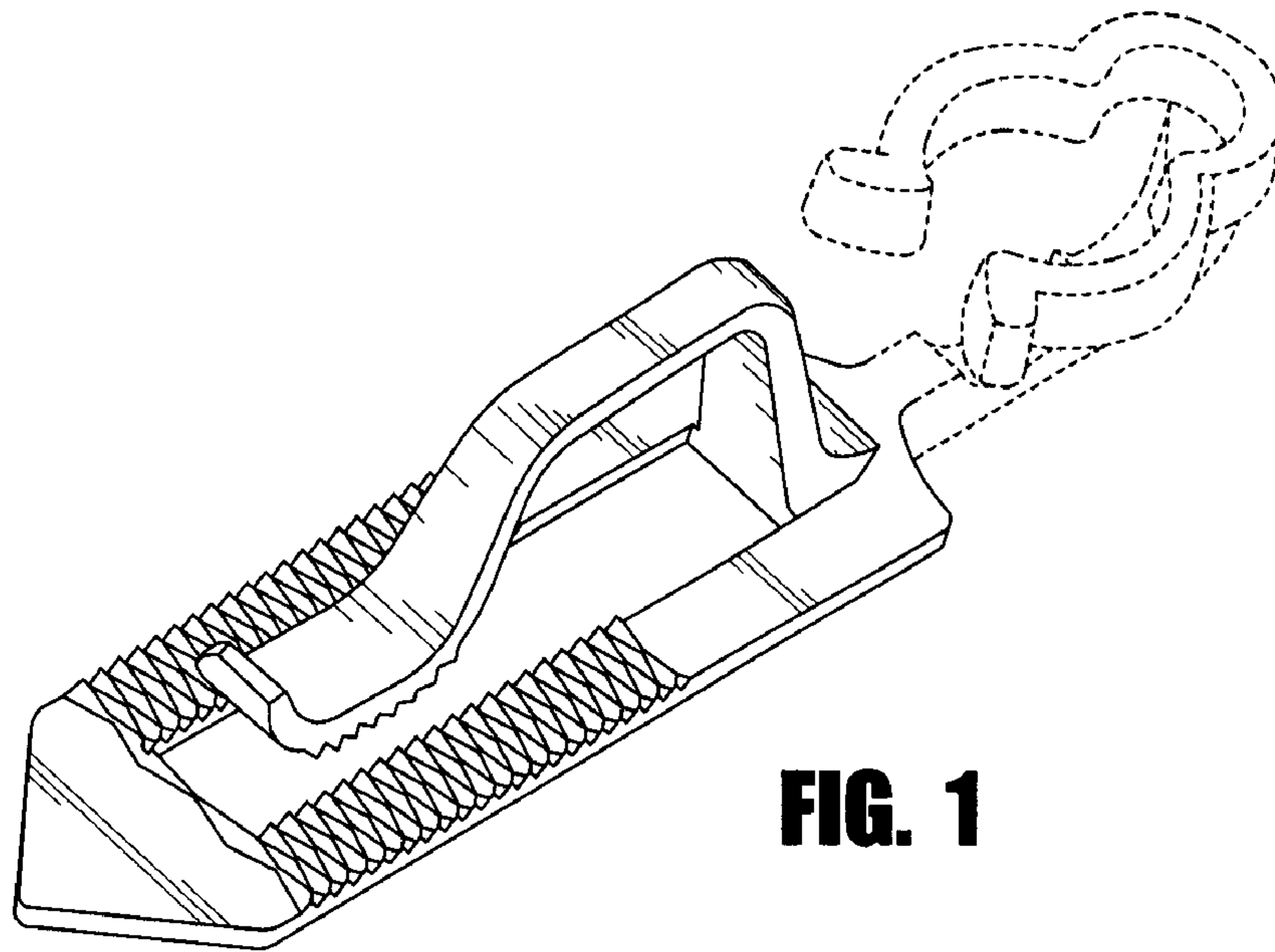


FIG. 1

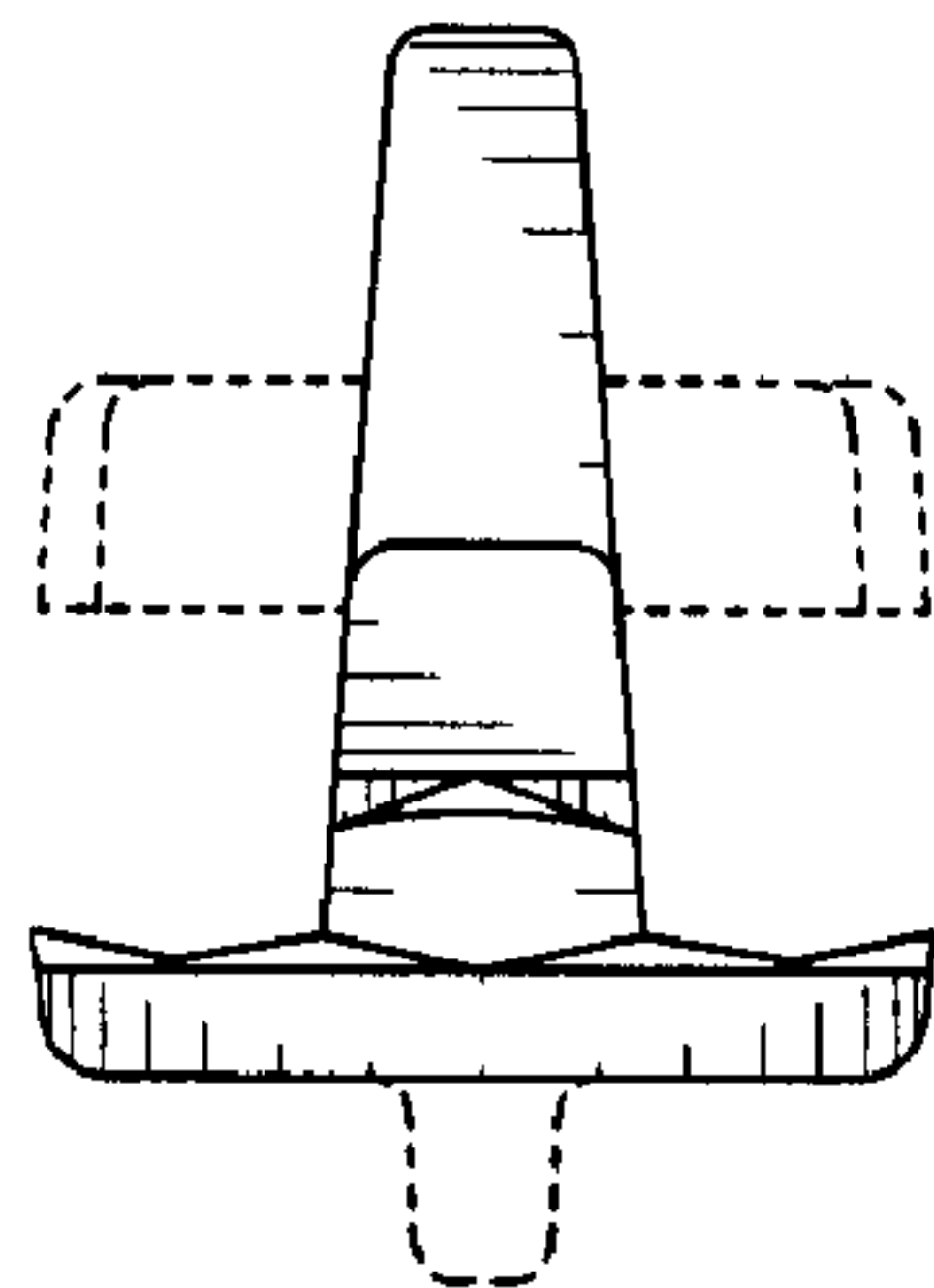


FIG. 2

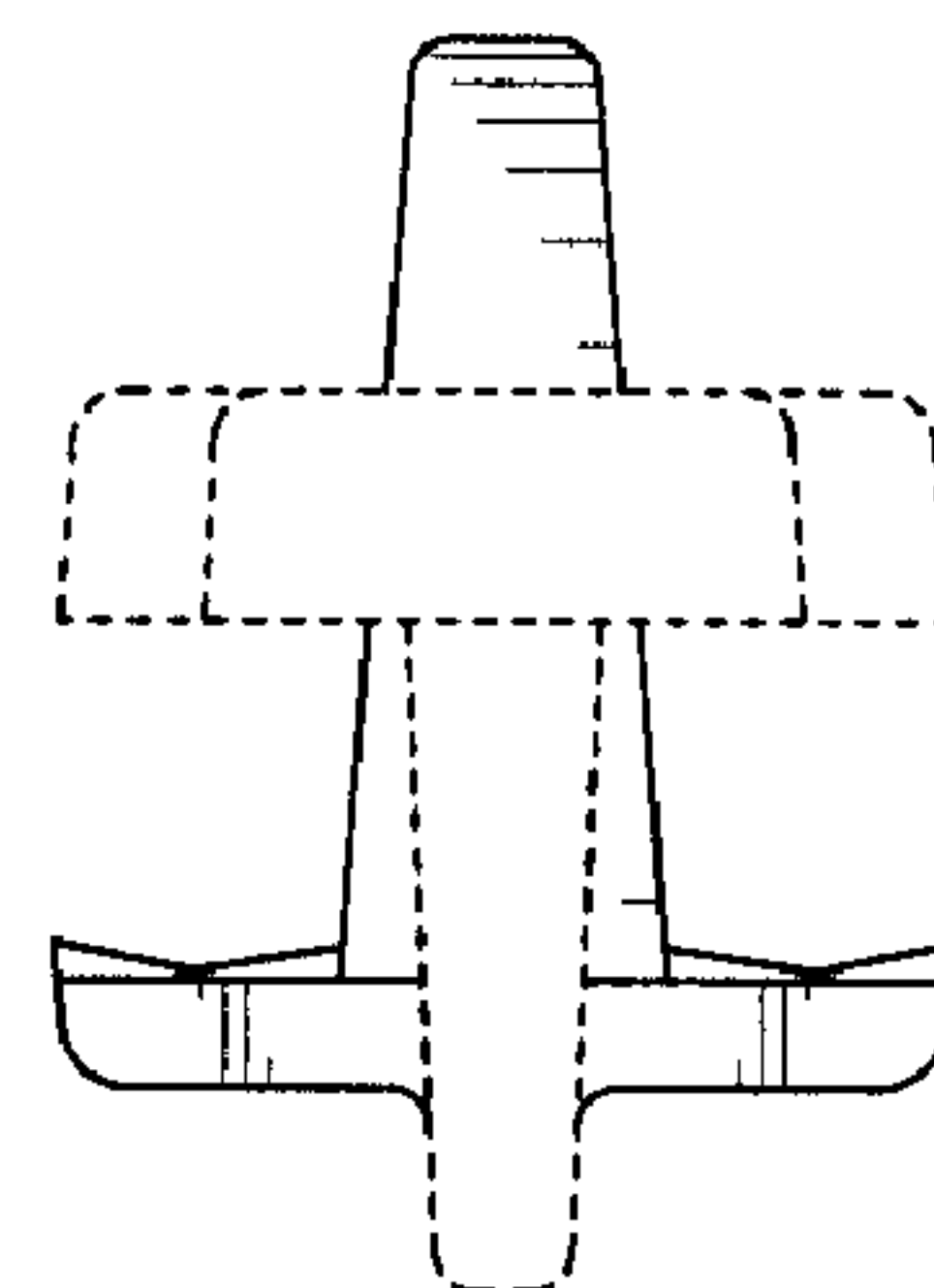


FIG. 3

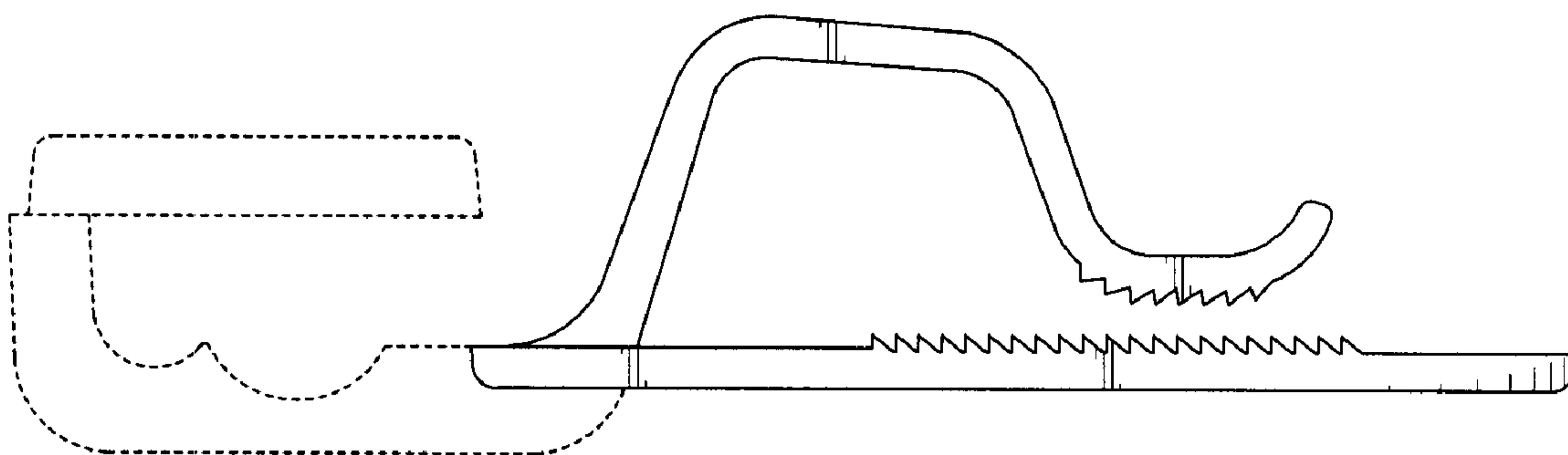


FIG. 4

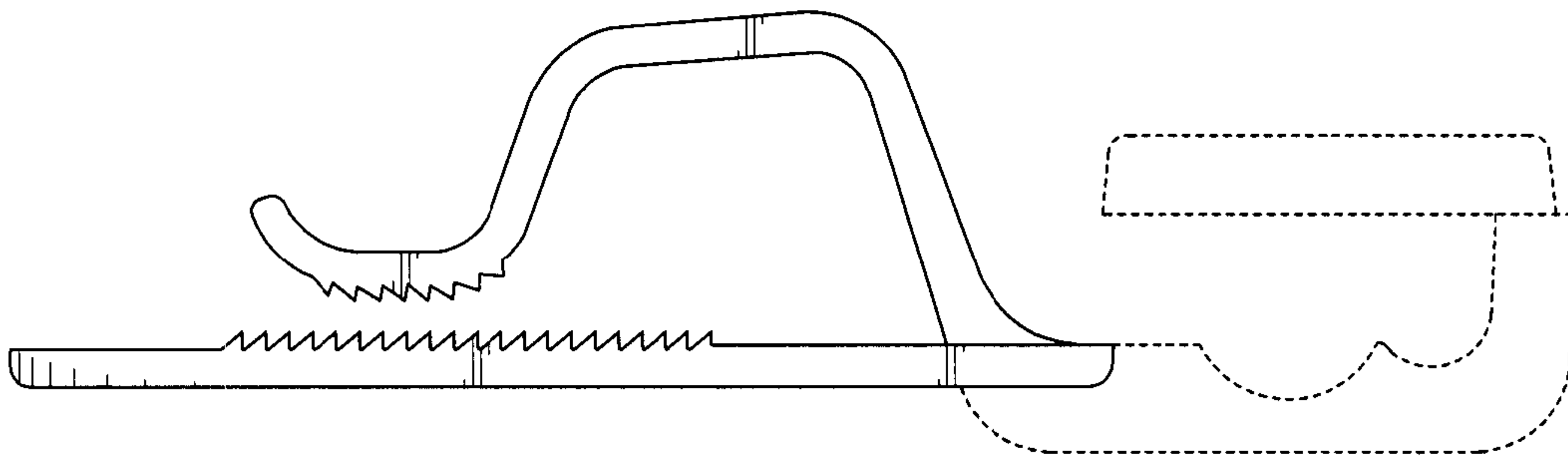


FIG. 5

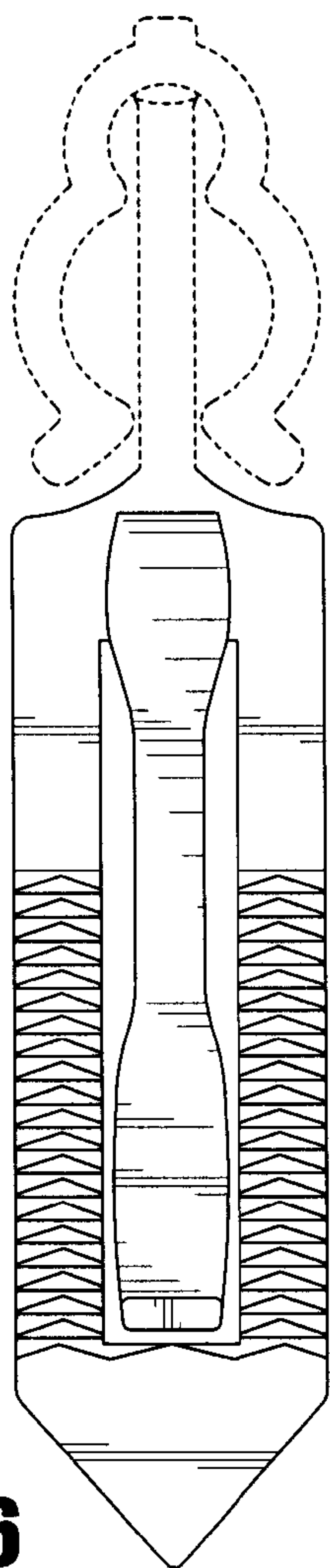


FIG. 6

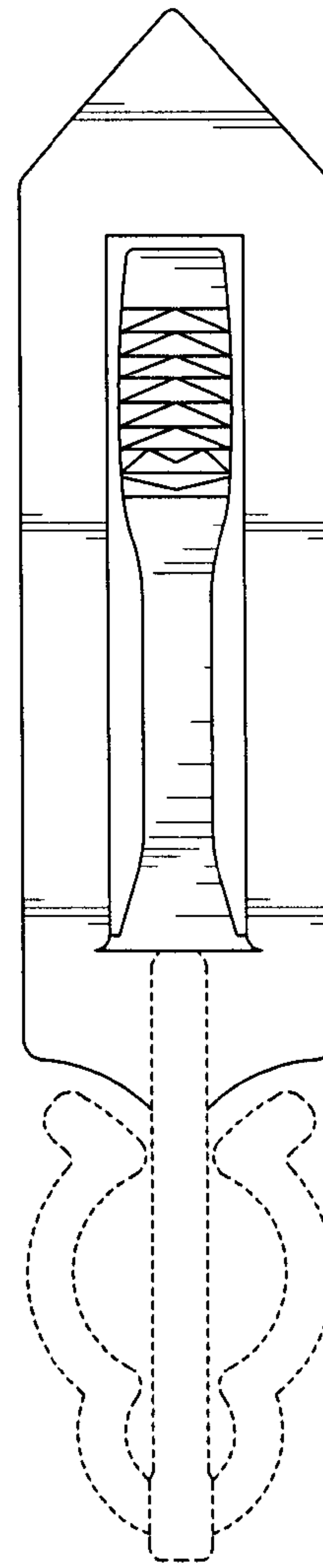


FIG. 7