



US00D531017S

(12) **United States Design Patent**
Debevec et al.

(10) **Patent No.:** **US D531,017 S**

(45) **Date of Patent:** **** Oct. 31, 2006**

(54) **CLIP SYSTEM FOR INSTALLING MOLDING**

(75) Inventors: **Steven Debevec**, Wake Forest, NC
(US); **Eddie Hargis**, Selma, NC (US)

(73) Assignee: **Focal Point Products, Inc.**, Tarboro,
NC (US)

(**) Term: **14 Years**

(21) Appl. No.: **29/221,545**

(22) Filed: **Jan. 18, 2005**

(51) **LOC (8) Cl.** **08-08**

(52) **U.S. Cl.** **D8/394**

(58) **Field of Classification Search** D8/356,
D8/371, 394-396, 499, 53, 100, 365; D12/51;
D19/65, 90; D28/39, 40, 42; 24/546, 563,
24/910, 327, 334, DIG. 8, DIG. 9, DIG. 13,
24/DIG. 28; 248/74.2, 300, 301, 316.7, 229.26
See application file for complete search history.

(56) **References Cited**

U.S. PATENT DOCUMENTS

442,222 A * 12/1890 Gunderson 24/67.1

839,643 A * 12/1906 Richardson 248/456
D259,243 S * 5/1981 Argante D8/375
D289,972 S * 5/1987 Fogelman D8/371
6,488,147 B1 * 12/2002 Mattesky 206/278

* cited by examiner

Primary Examiner—Louis S. Zarfes

Assistant Examiner—John Windmuller

(74) *Attorney, Agent, or Firm*—Melvin I. Stoltz

(57) **CLAIM**

The ornamental design for a clip system for installing molding, as shown and described.

DESCRIPTION

FIG. 1 is a perspective view of a clip system for installing molding showing our new design;
FIG. 2 is a front elevational view thereof;
FIG. 3 is a side elevational view thereof, looking from the right side of FIG. 2, the opposite side being a mirror image thereof;
FIG. 4 is a rear elevational view thereof;
FIG. 5 is a top plan view thereof; and,
FIG. 6 is a bottom plan view thereof.

1 Claim, 2 Drawing Sheets

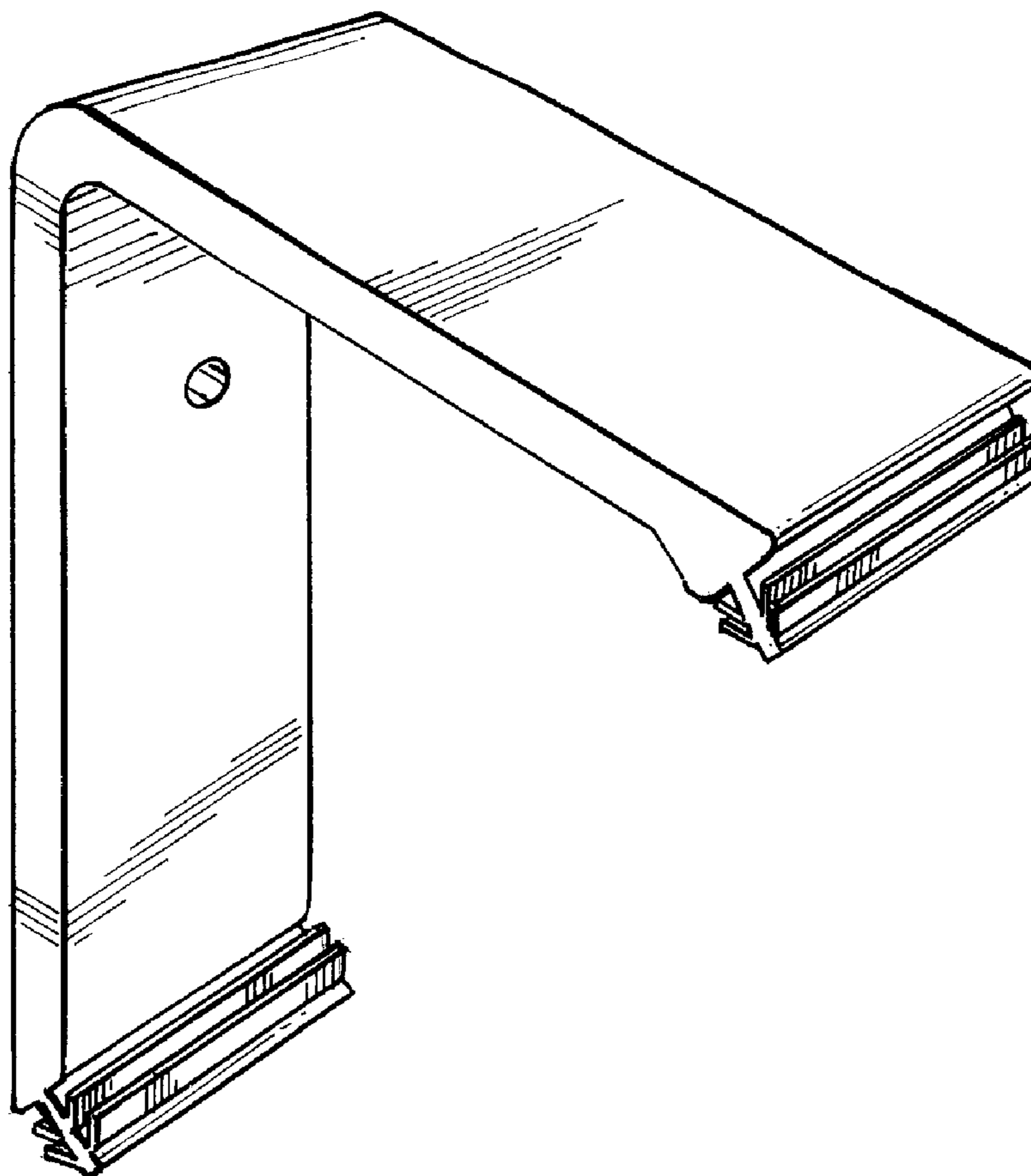


FIG. 1

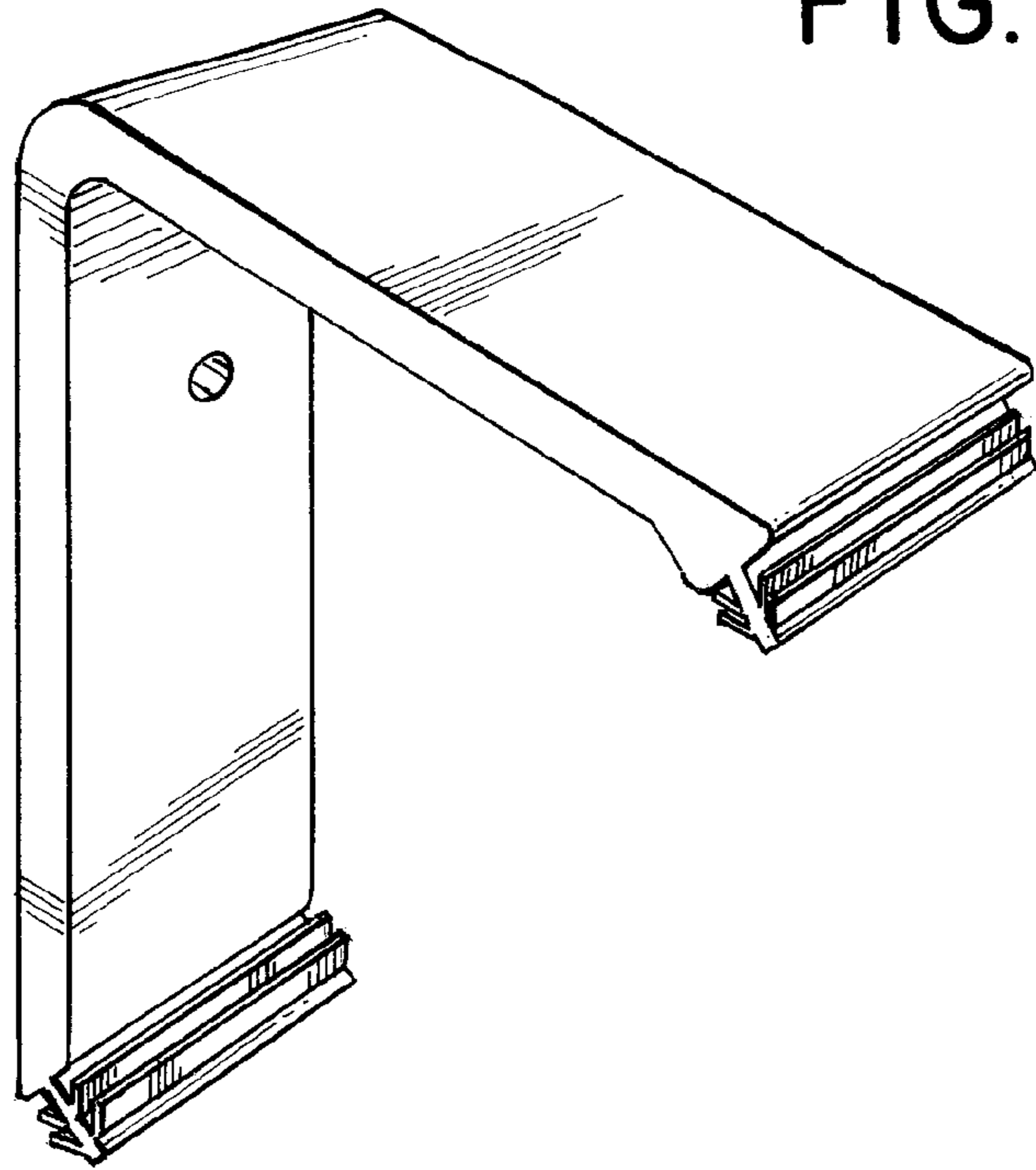


FIG. 2

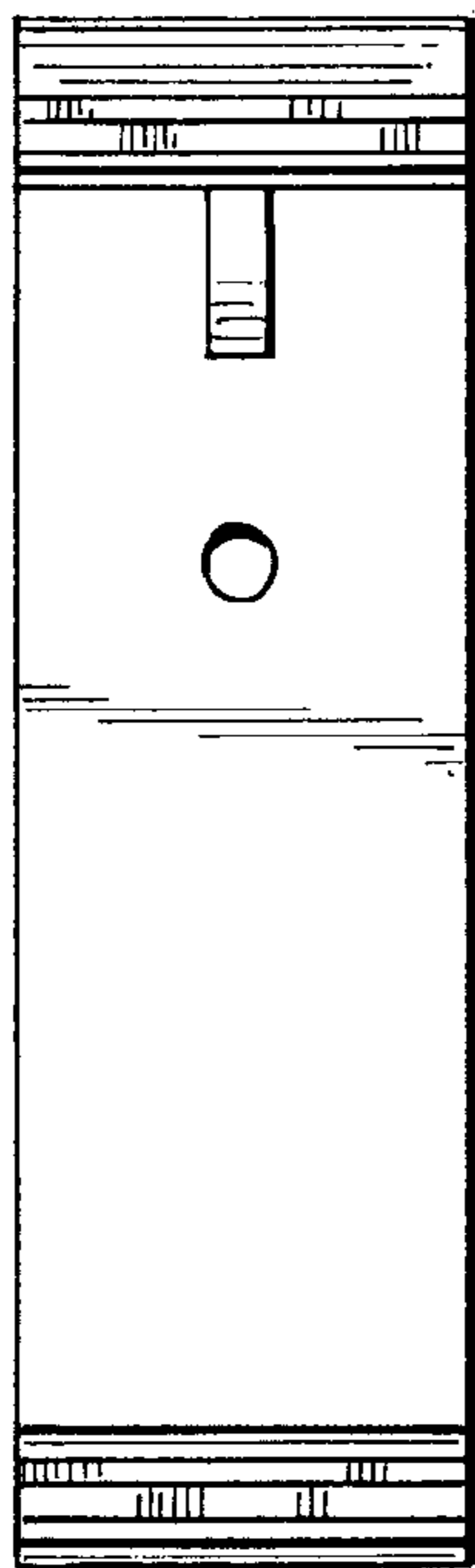
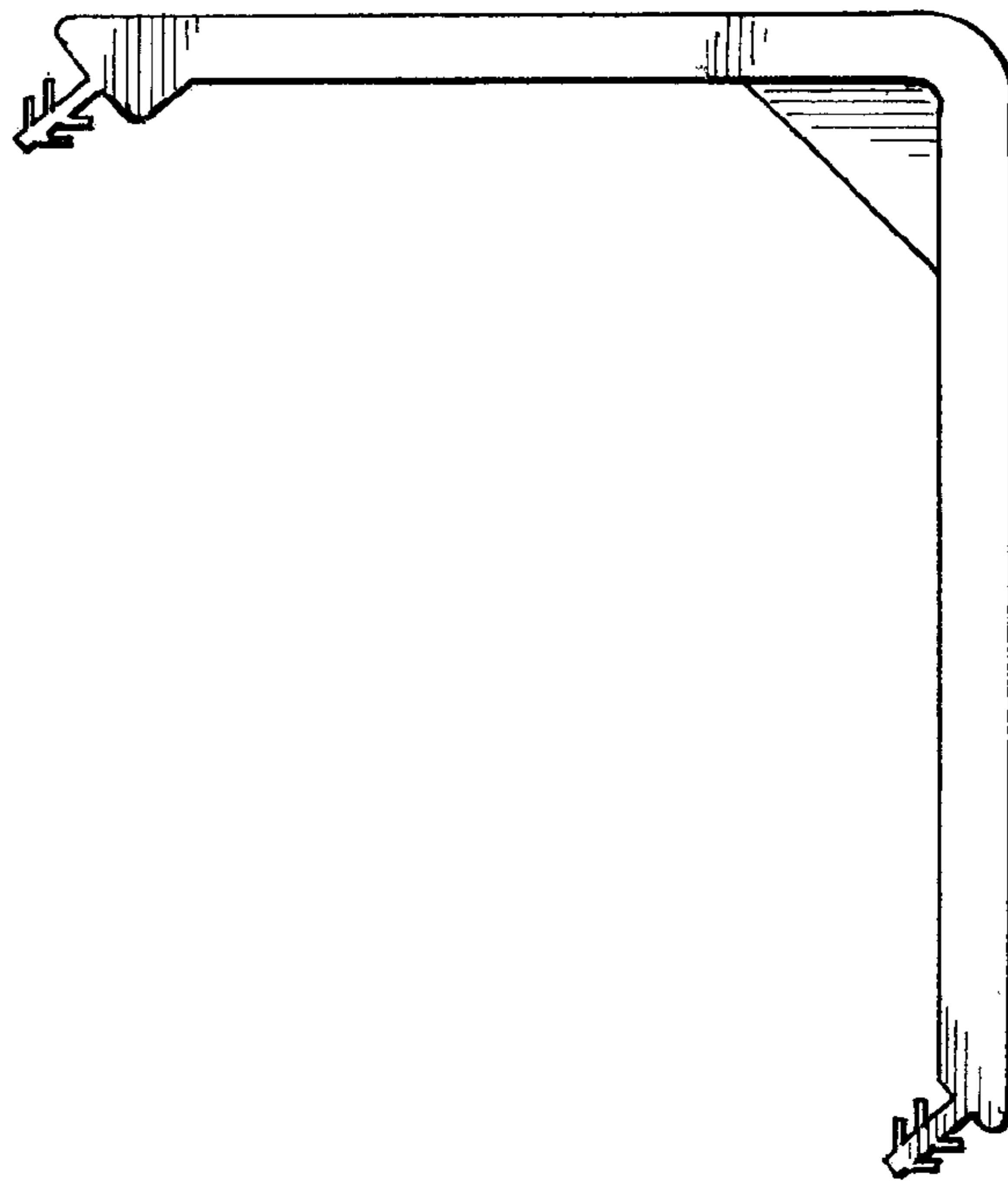


FIG. 3



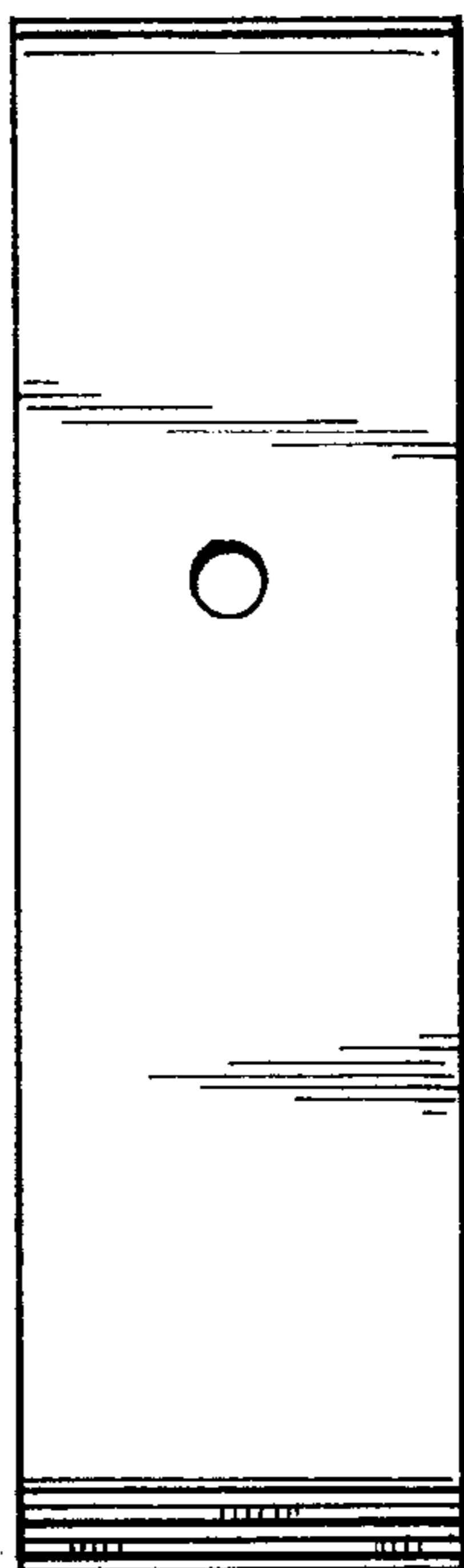


FIG. 4

FIG. 5

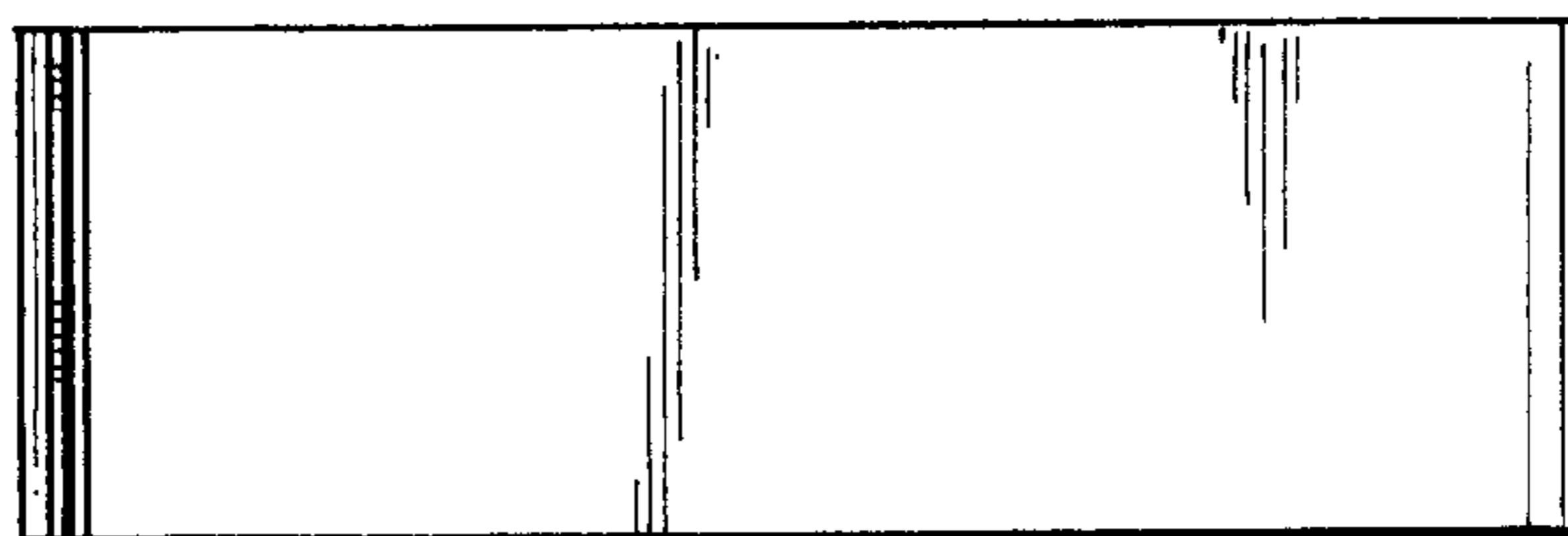


FIG. 6

