



US00D531016S

(12) **United States Design Patent**
Kobayashi

(10) **Patent No.:** **US D531,016 S**
(45) **Date of Patent:** **** Oct. 31, 2006**

(54) **SEALING CLIP FOR BAG**

D463,253 S * 9/2002 Canty D8/356

(75) Inventor: **Kenji Kobayashi**, Tokyo (JP)

FOREIGN PATENT DOCUMENTS

(73) Assignee: **Max Co., Ltd.**, Tokyo (JP)

JP D 1153044 S 9/2002

(**) Term: **14 Years**

* cited by examiner

(21) Appl. No.: **29/217,814**

Primary Examiner—Robert A. Delehanty

Assistant Examiner—John Windmuller

(22) Filed: **Nov. 23, 2004**

(74) *Attorney, Agent, or Firm*—Morgan, Lewis & Bockius LLP

(30) **Foreign Application Priority Data**

(57) **CLAIM**

May 26, 2004 (JP) 2004-015504

The ornamental design for a sealing clip for bag, as shown and described.

(51) **LOC (8) Cl.** **08-08**

DESCRIPTION

(52) **U.S. Cl.** **D8/394**

(58) **Field of Classification Search** D8/356,
D8/371, 394–396; 248/74.2, 215, 227.1,
248/49, 300, 301, 316.7, 51, 489; 24/22,
24/67 R, 20 S, 115 R, 546, 563, 343, 67.9,
24/30.5 R, 16 R, 136 R, 74.1, 74.2; D19/65
See application file for complete search history.

FIG. 1 is a perspective view of a sealing clip for bag showing my new design;
FIG. 2 is a front elevational view thereof;
FIG. 3 is a rear elevational view thereof;
FIG. 4 is a right side elevational view thereof,
FIG. 5 is a left side elevational view thereof,
FIG. 6 is a top plan view thereof;
FIG. 7 is a bottom plan view thereof;
FIG. 8 is a perspective view thereof in a position of use;
FIG. 9 is a perspective view thereof in use with a bag; and,
FIG. 10 is a perspective view thereof joined with multiple other sealing clips for bag.
The elements shown in broken lines are for illustrative purposes only and form no part of the claimed design.

(56) **References Cited**

U.S. PATENT DOCUMENTS

2,440,012 A * 4/1948 Haver 24/30.5 R
D180,093 S * 4/1957 Meyer D8/396
3,282,318 A * 11/1966 Nylund 152/243
3,939,533 A * 2/1976 Benepe 24/30.5 R
D276,308 S * 11/1984 Morriss Jr. D8/396
D415,017 S * 10/1999 Lo D8/396
5,996,945 A * 12/1999 Coles et al. 248/68.1

1 Claim, 10 Drawing Sheets

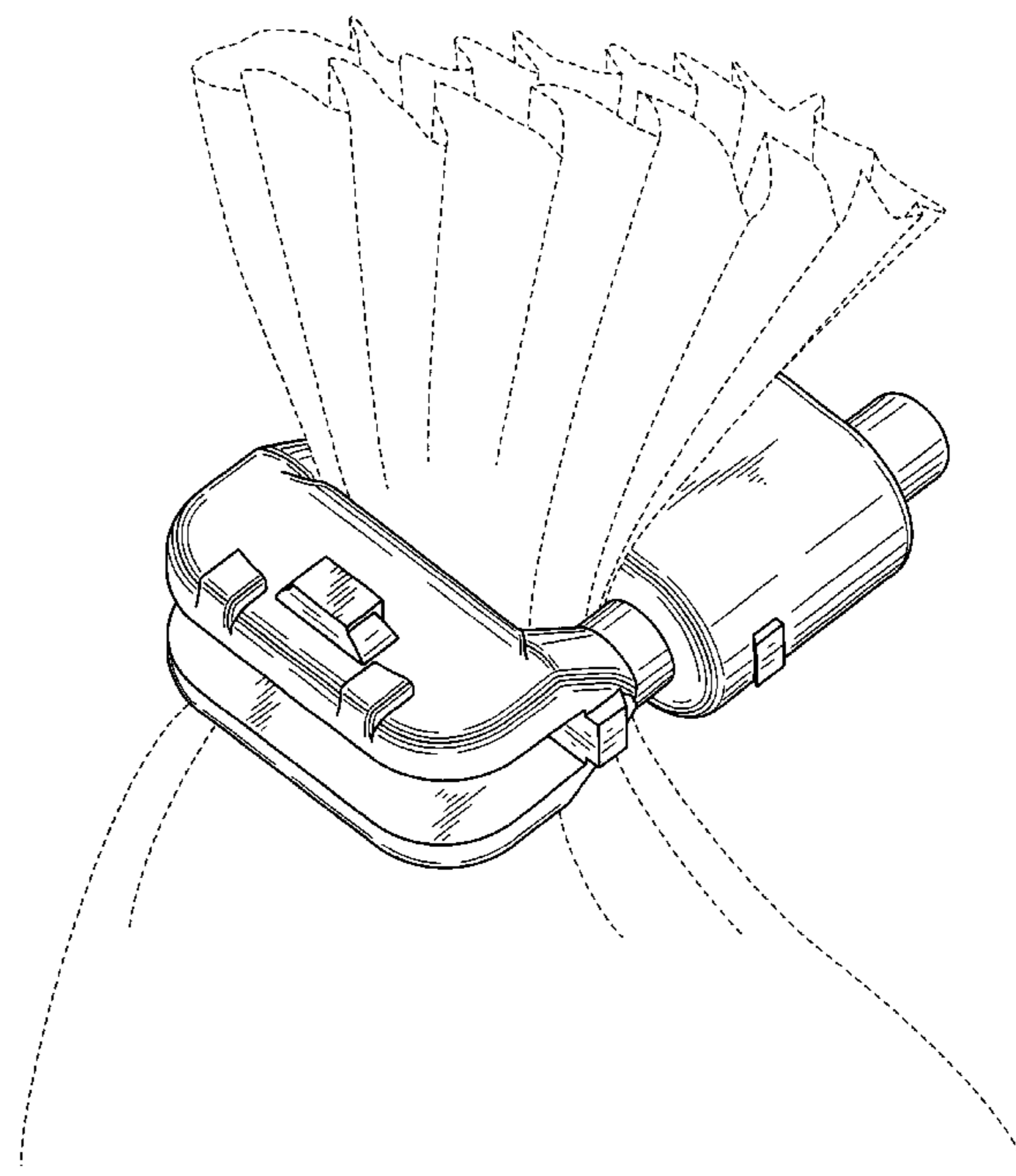
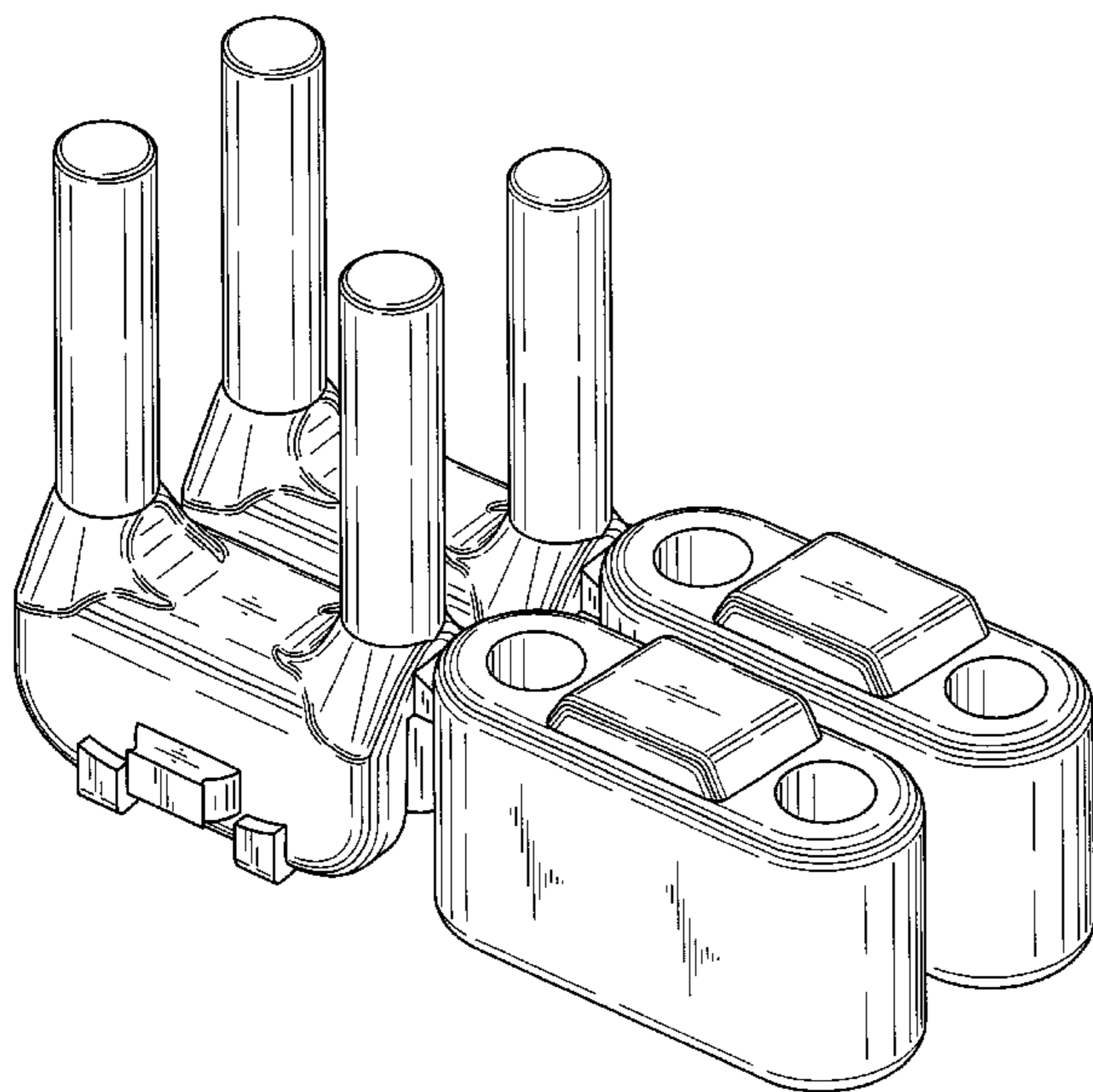


FIG. 1

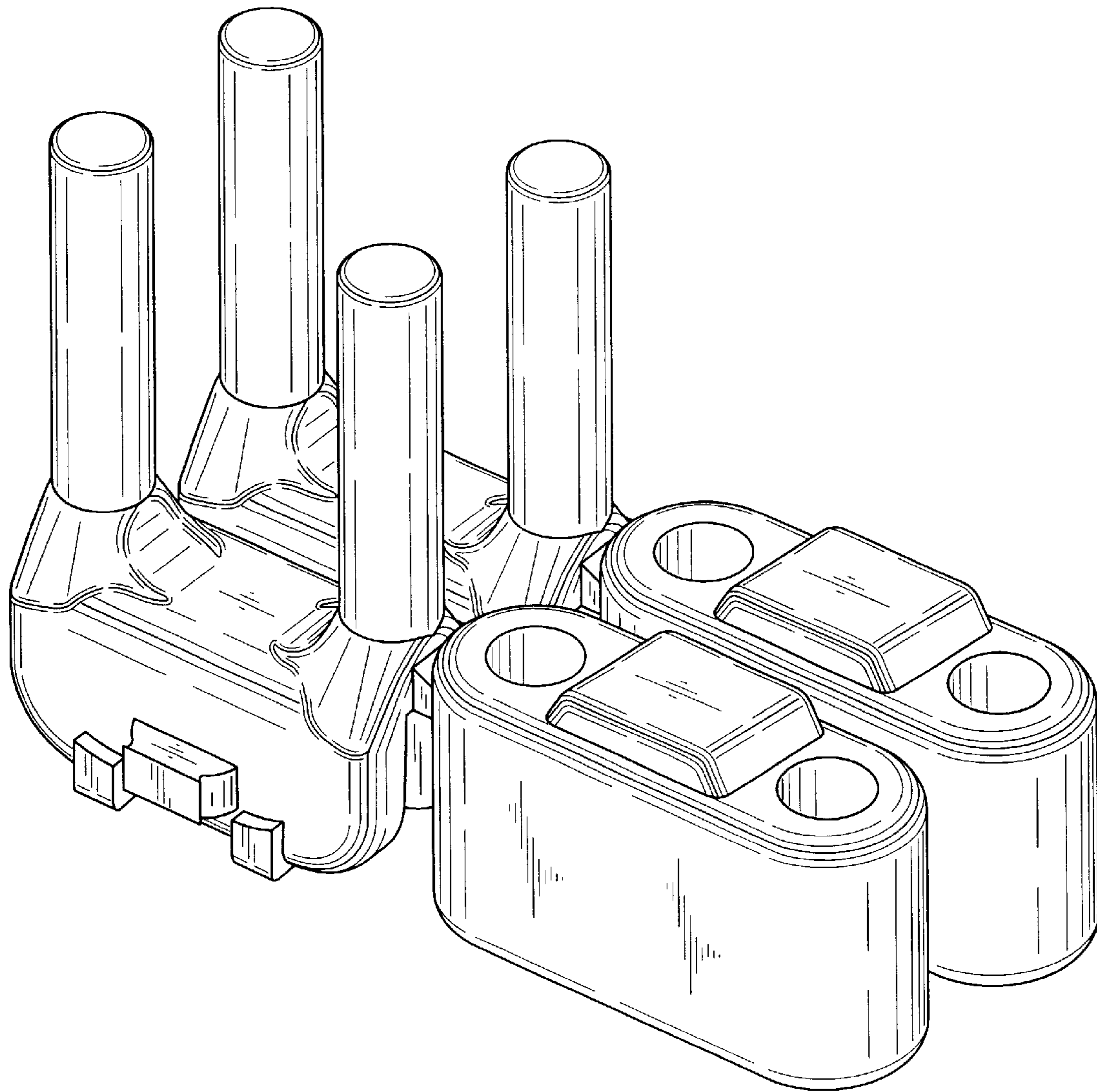


FIG. 2

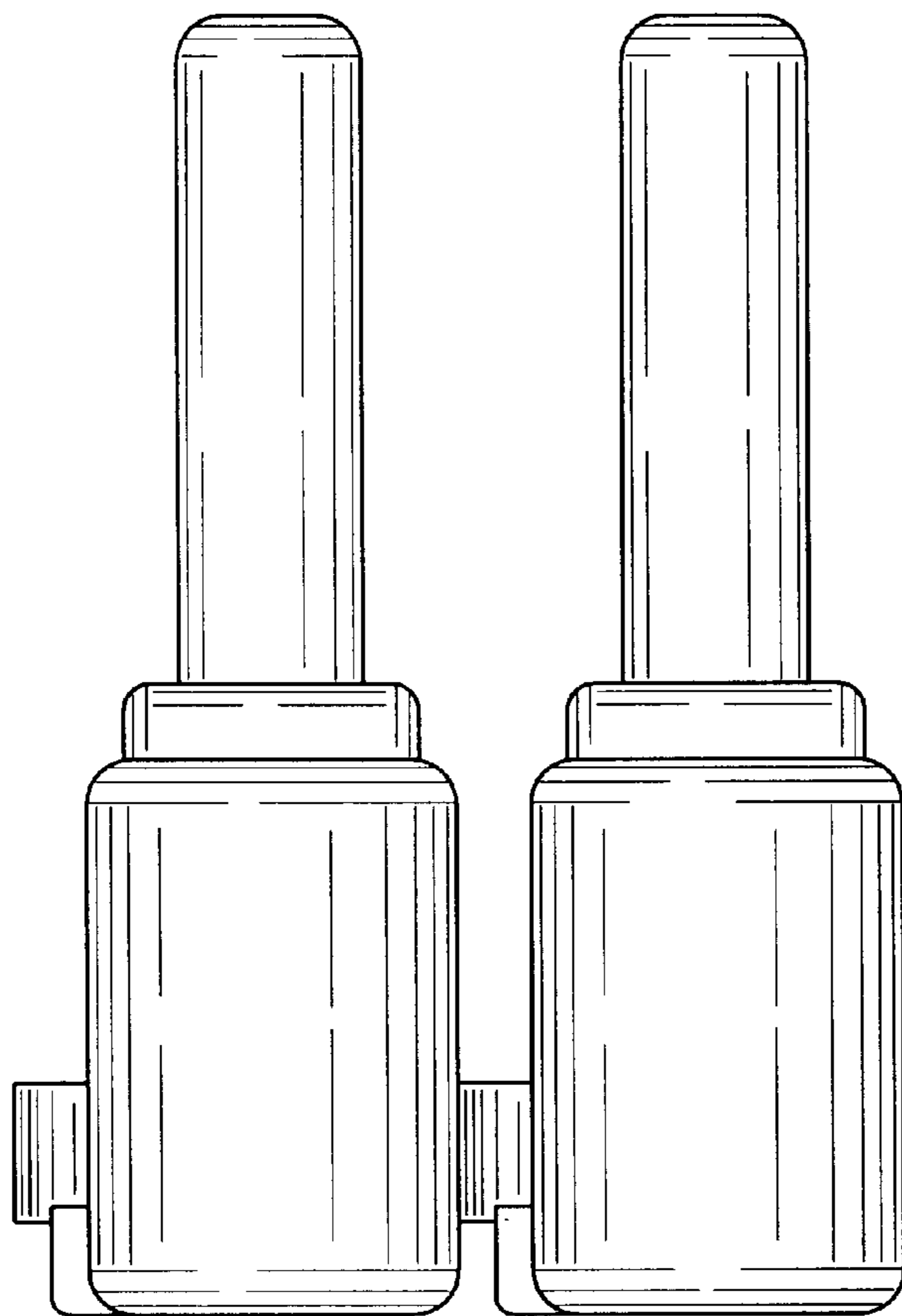


FIG. 3

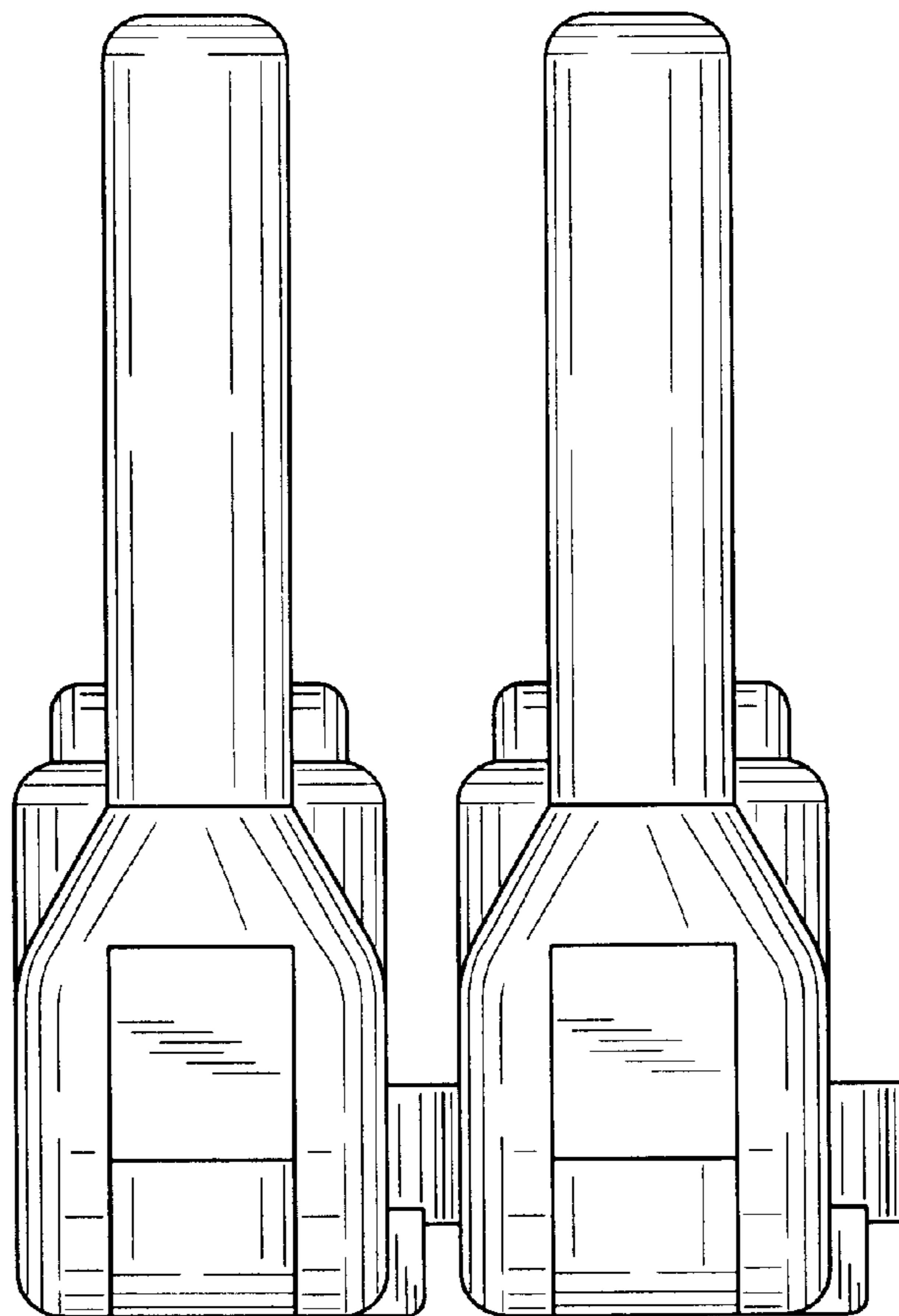


FIG. 4

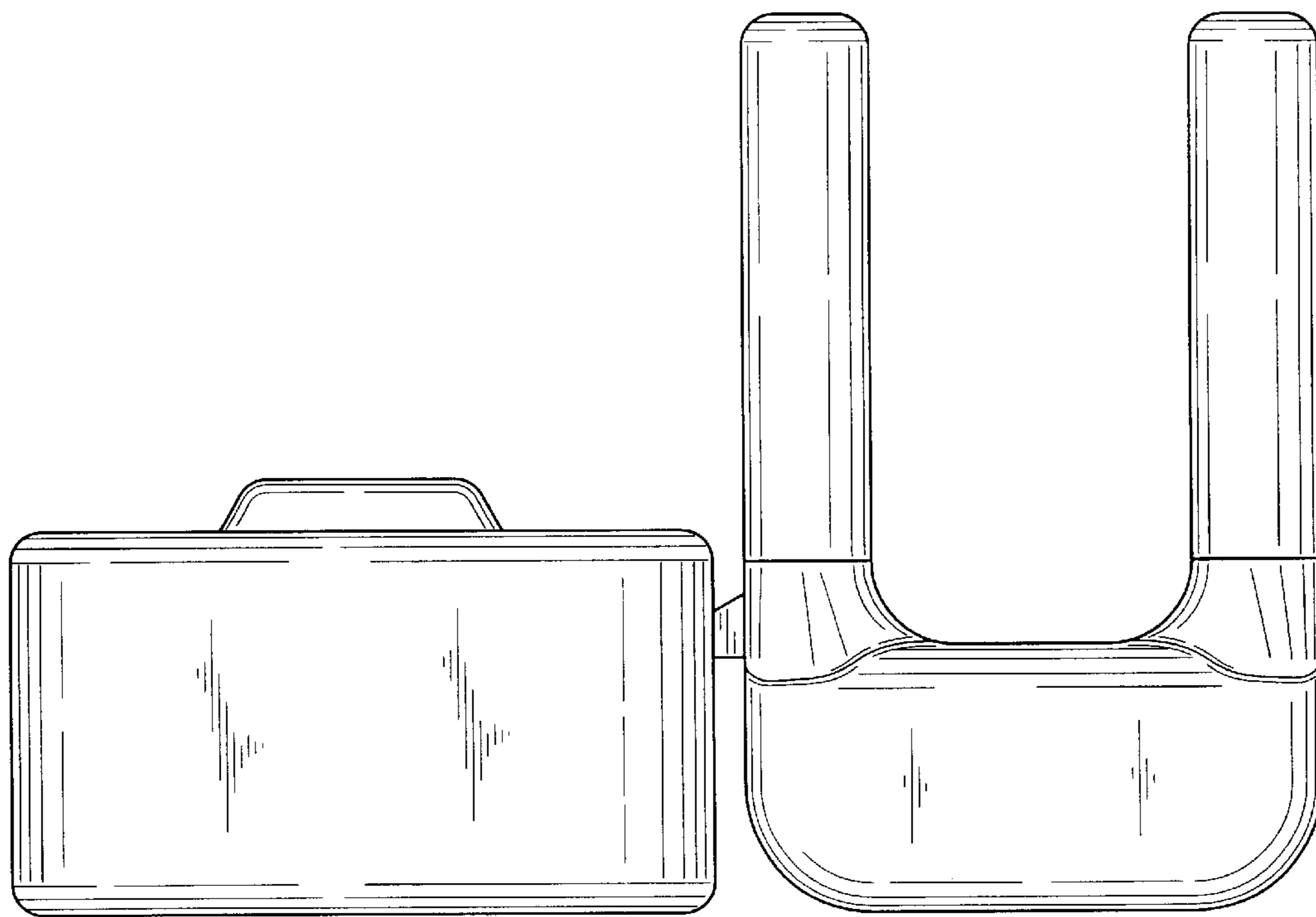


FIG. 5

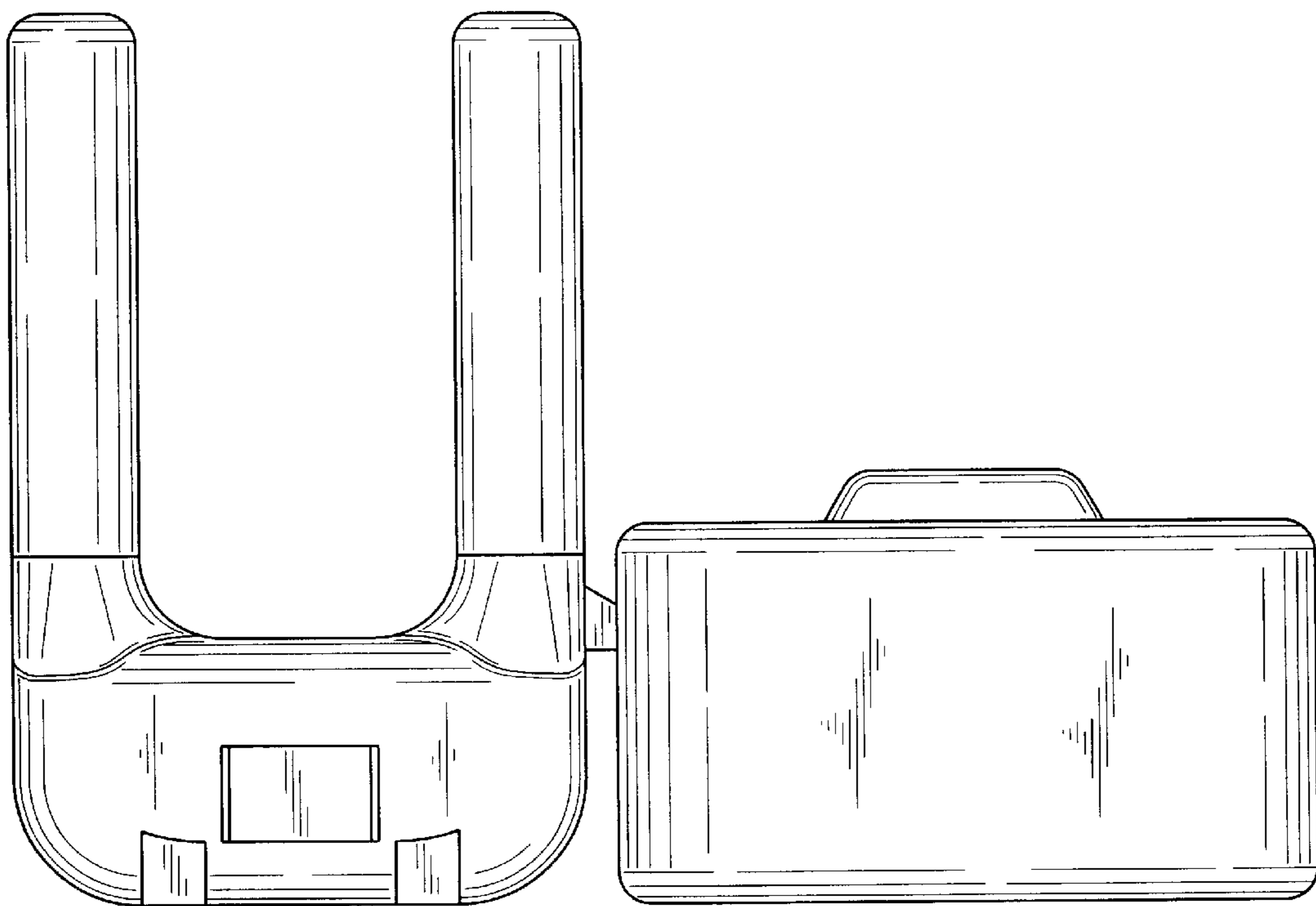


FIG. 6

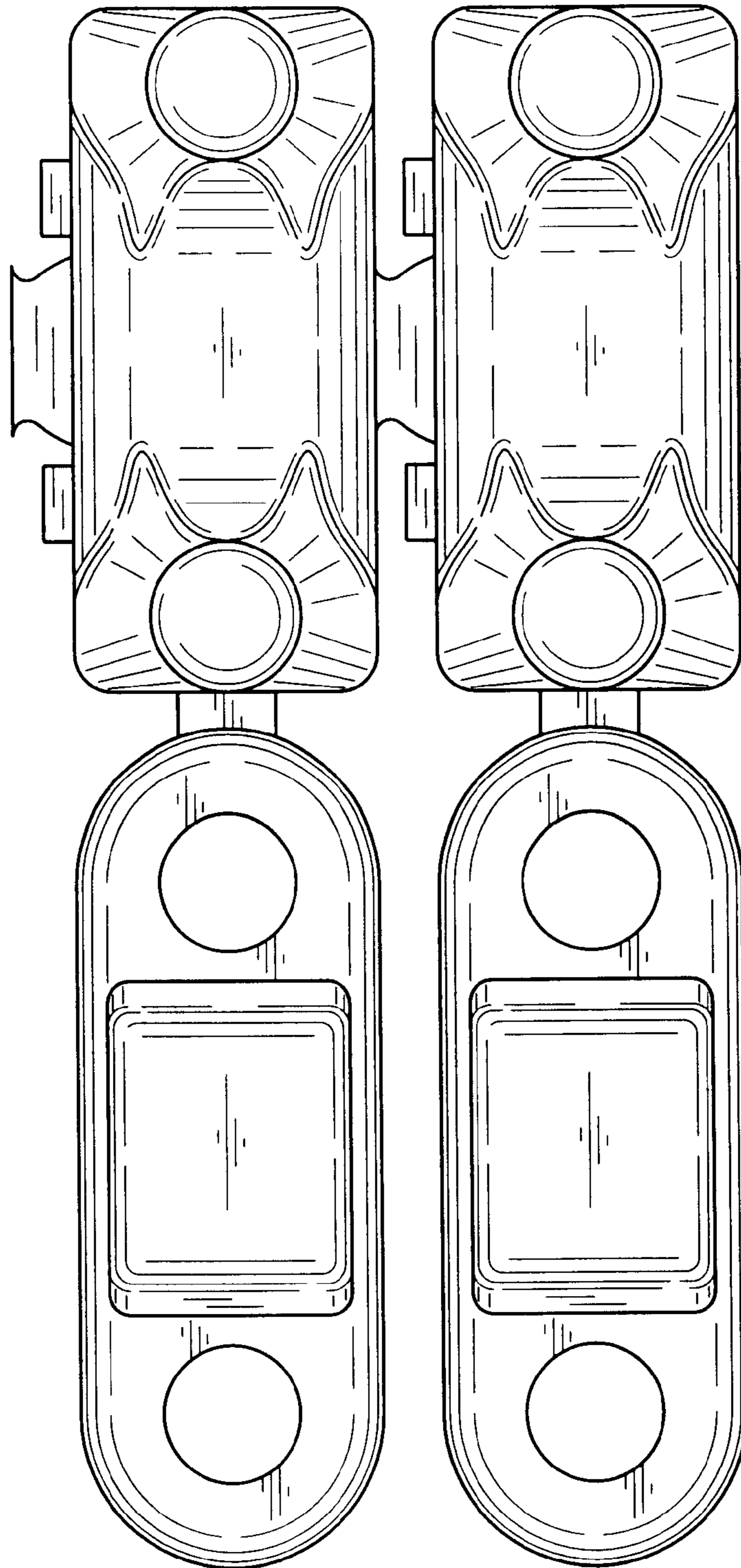


FIG. 7

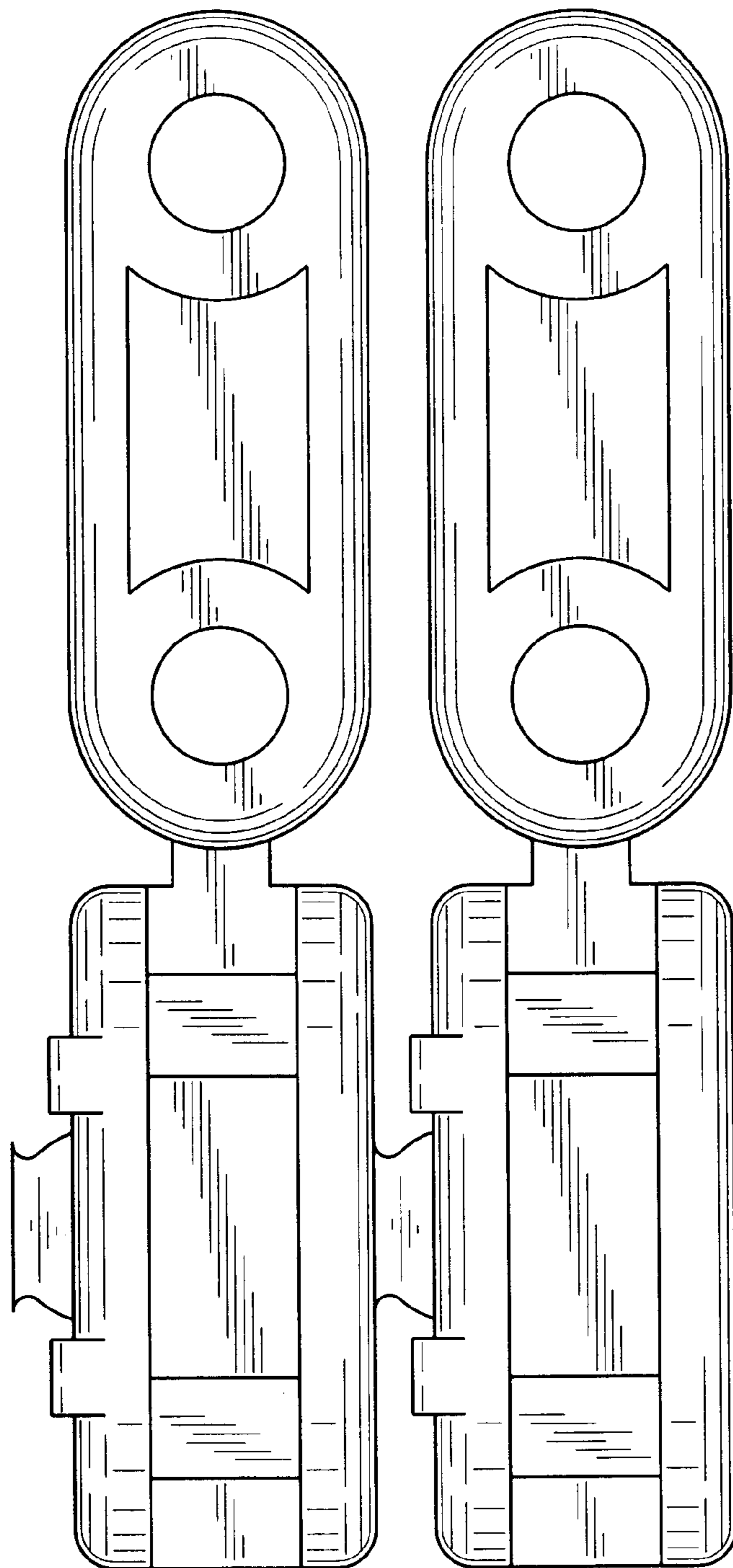


FIG. 8

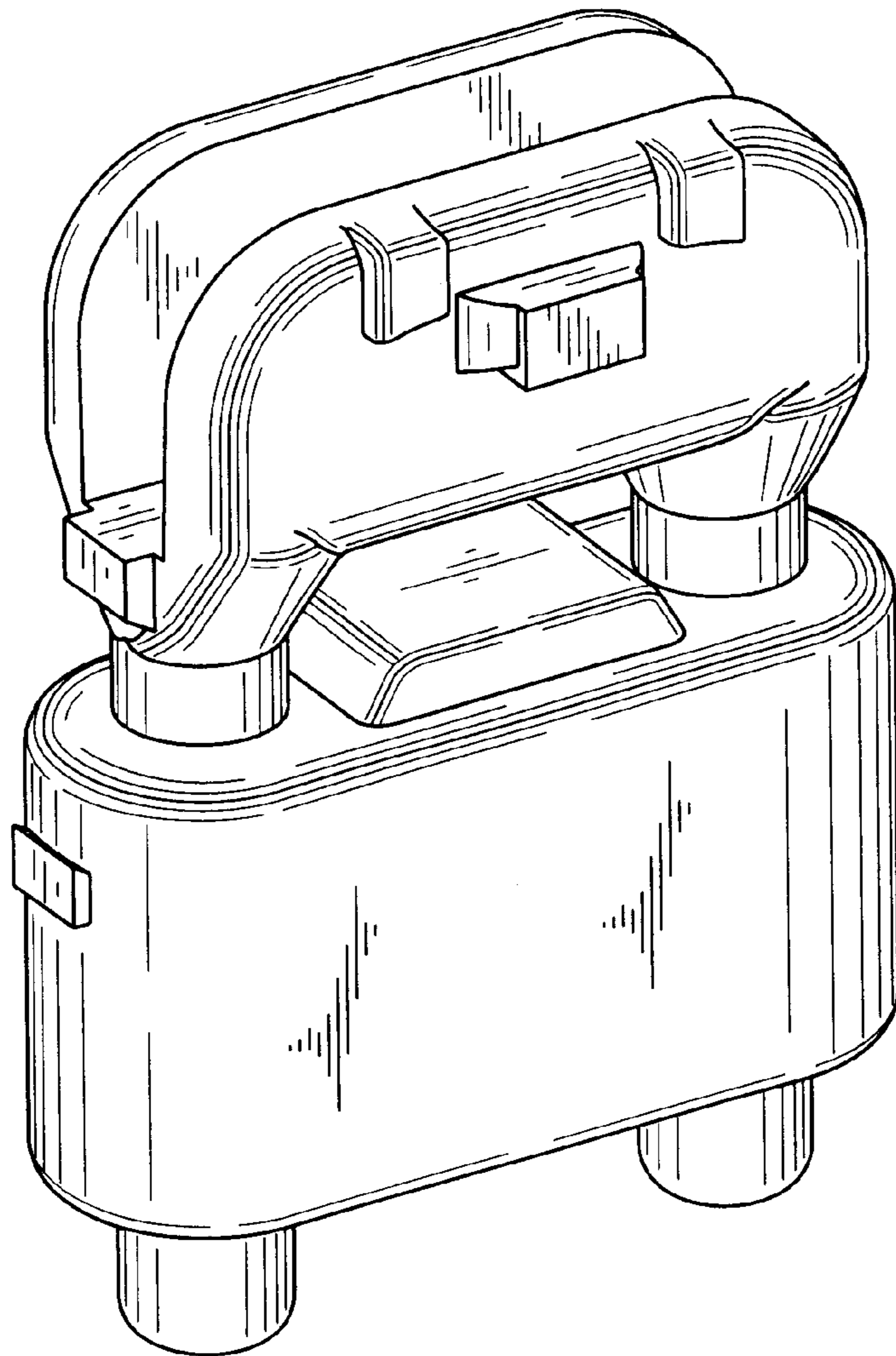


FIG. 9

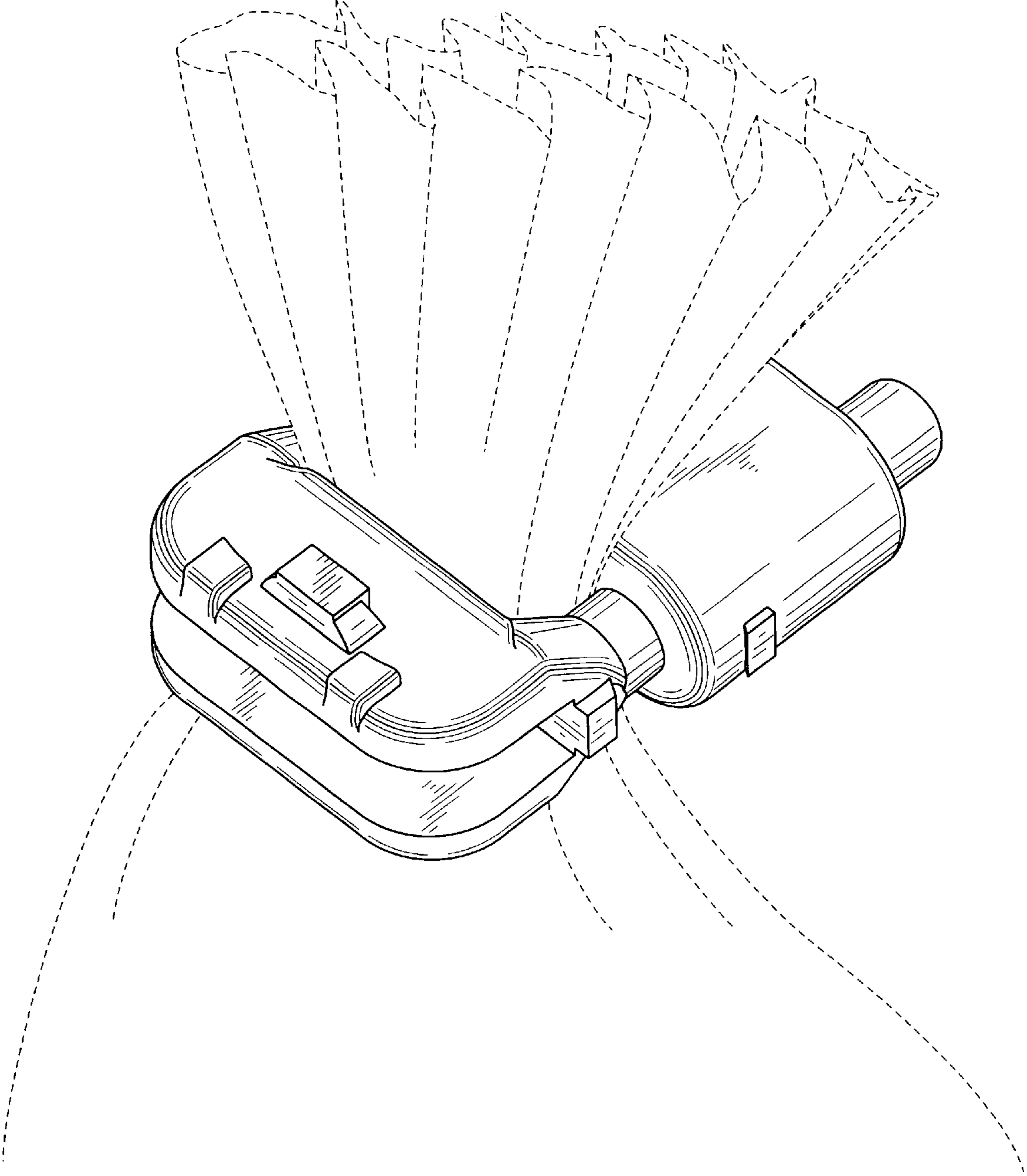
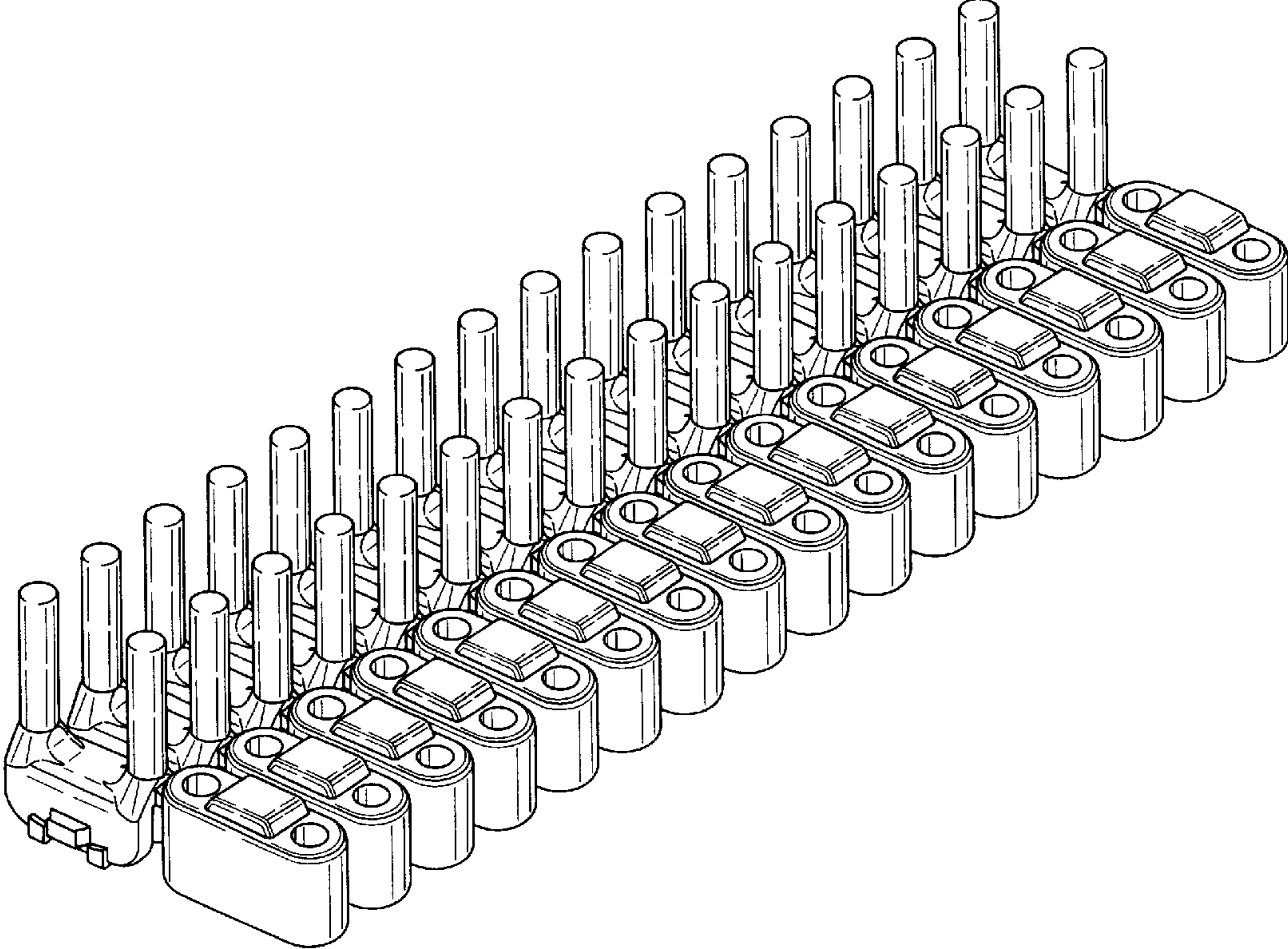


FIG. 10



UNITED STATES PATENT AND TRADEMARK OFFICE
CERTIFICATE OF CORRECTION

PATENT NO. : Des. 531,016 S
APPLICATION NO. : 29/217814
DATED : October 31, 2006
INVENTOR(S) : Kobayashi

Page 1 of 7

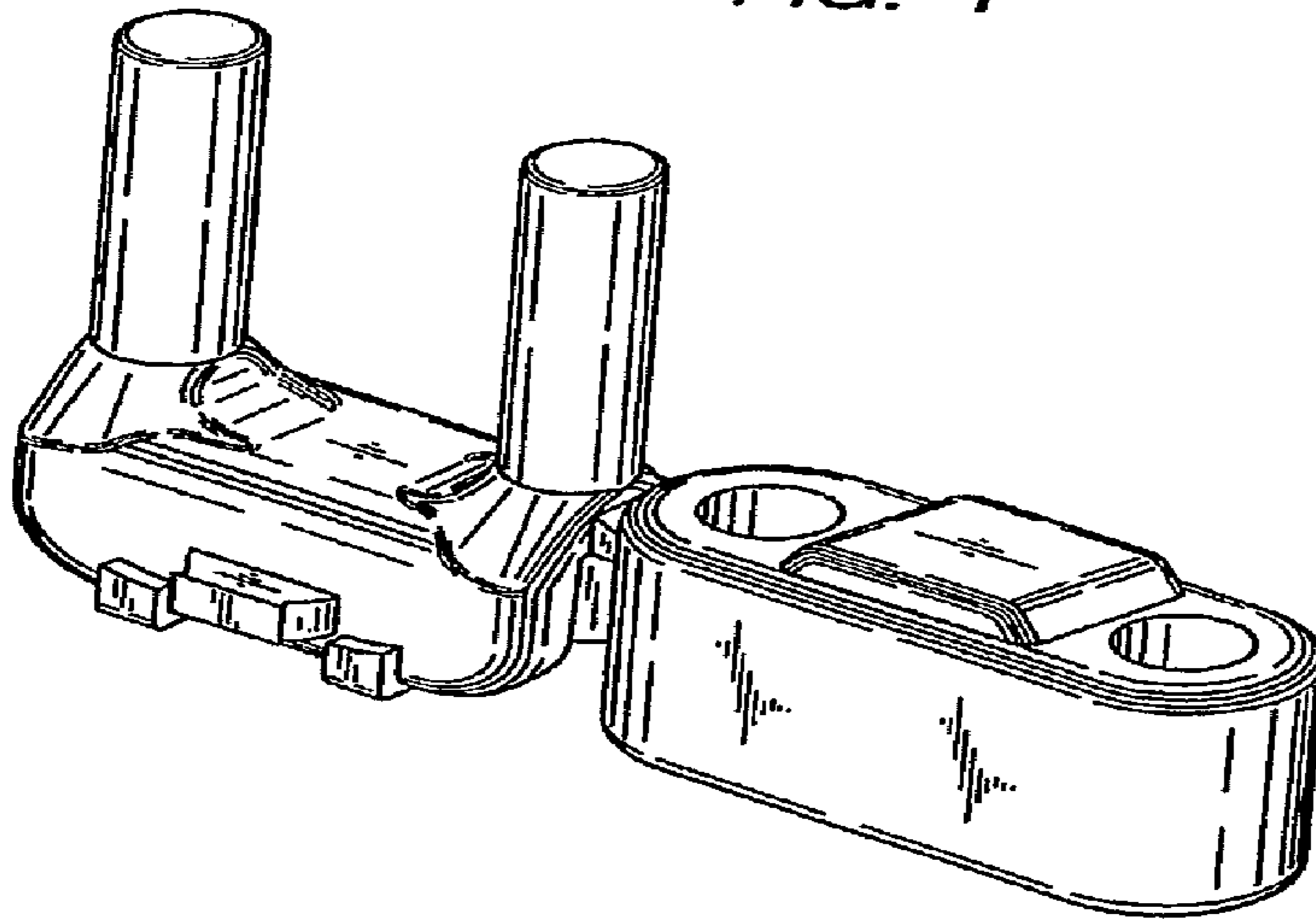
It is certified that error appears in the above-identified patent and that said Letters Patent is hereby corrected as shown below:

The title page showing the illustrative figure should be deleted and substitute with the attached title page.

The drawing sheet, consisting of Fig. 1 - 10, should be deleted and replaced with drawing sheet, consisting of Fig. 1 - 10, as shown below.

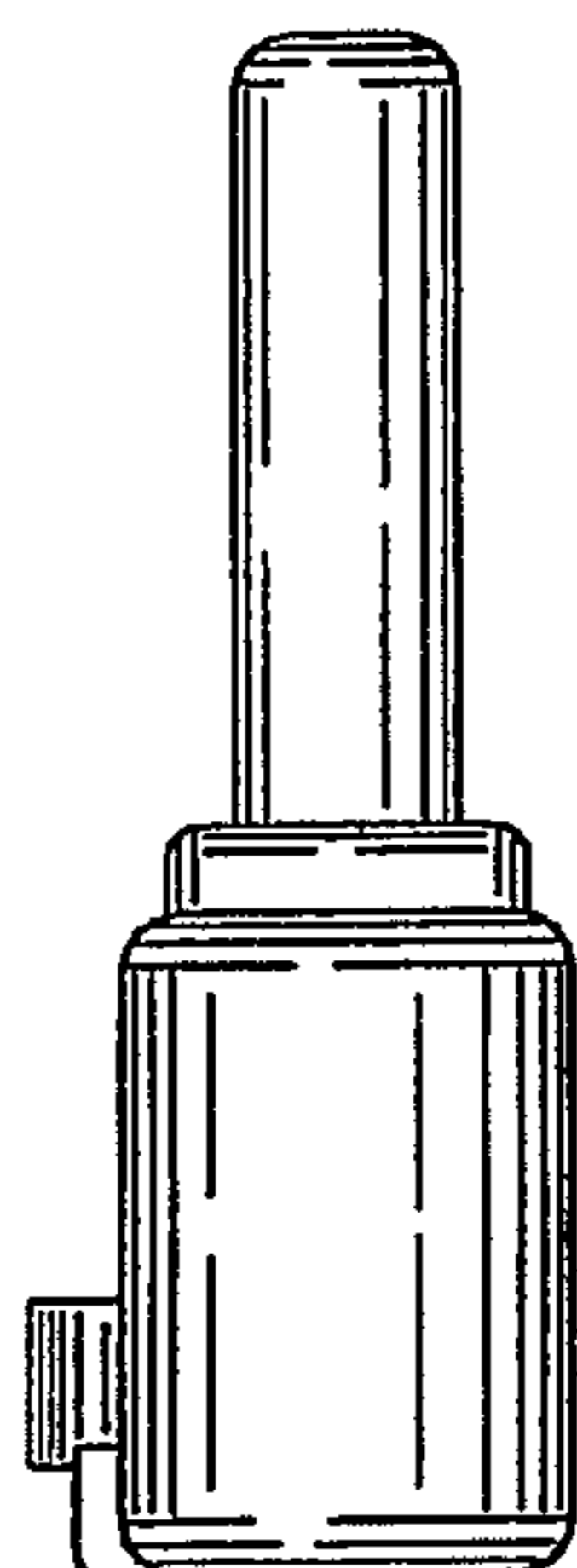
In Drawing Sheet 1, replace Figure 1 with the figure as shown below.

FIG. 1



In Drawing Sheet 2, replace Figure 2 with the figure as shown below.

FIG. 2



UNITED STATES PATENT AND TRADEMARK OFFICE
CERTIFICATE OF CORRECTION

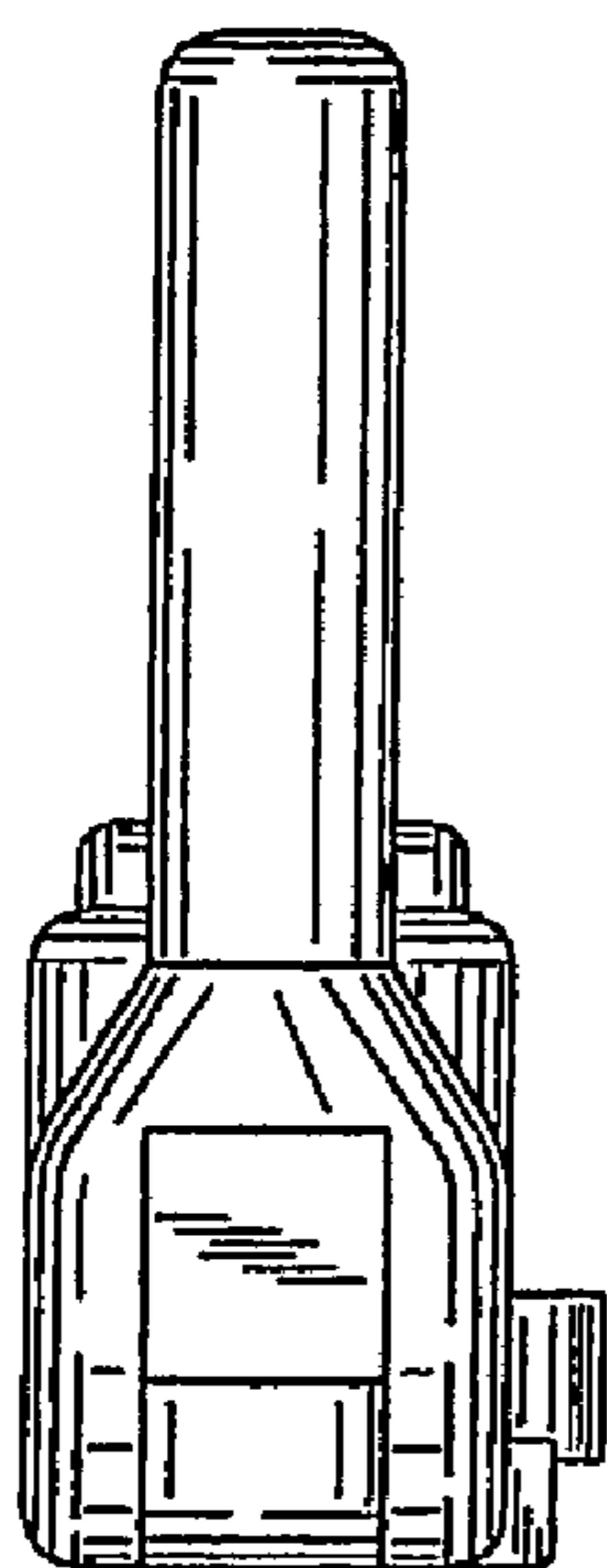
PATENT NO. : Des. 531,016 S
APPLICATION NO. : 29/217814
DATED : October 31, 2006
INVENTOR(S) : Kobayashi

Page 2 of 7

It is certified that error appears in the above-identified patent and that said Letters Patent is hereby corrected as shown below:

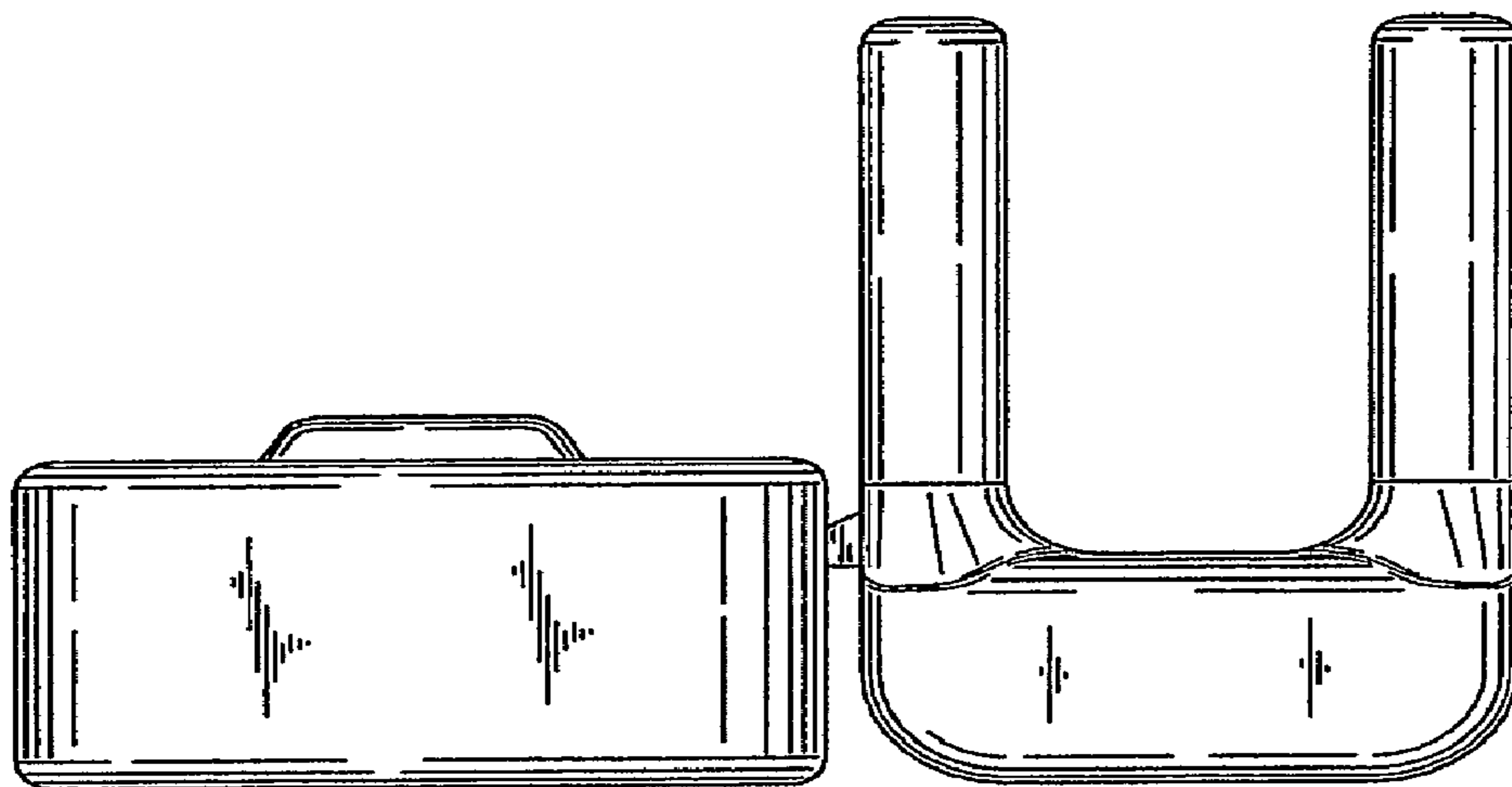
In Drawing Sheet 3, replace Figure 3 with the figure as shown below.

FIG. 3



In Drawing Sheet 4, replace Figure 4 with the figure as shown below.

FIG. 4



UNITED STATES PATENT AND TRADEMARK OFFICE
CERTIFICATE OF CORRECTION

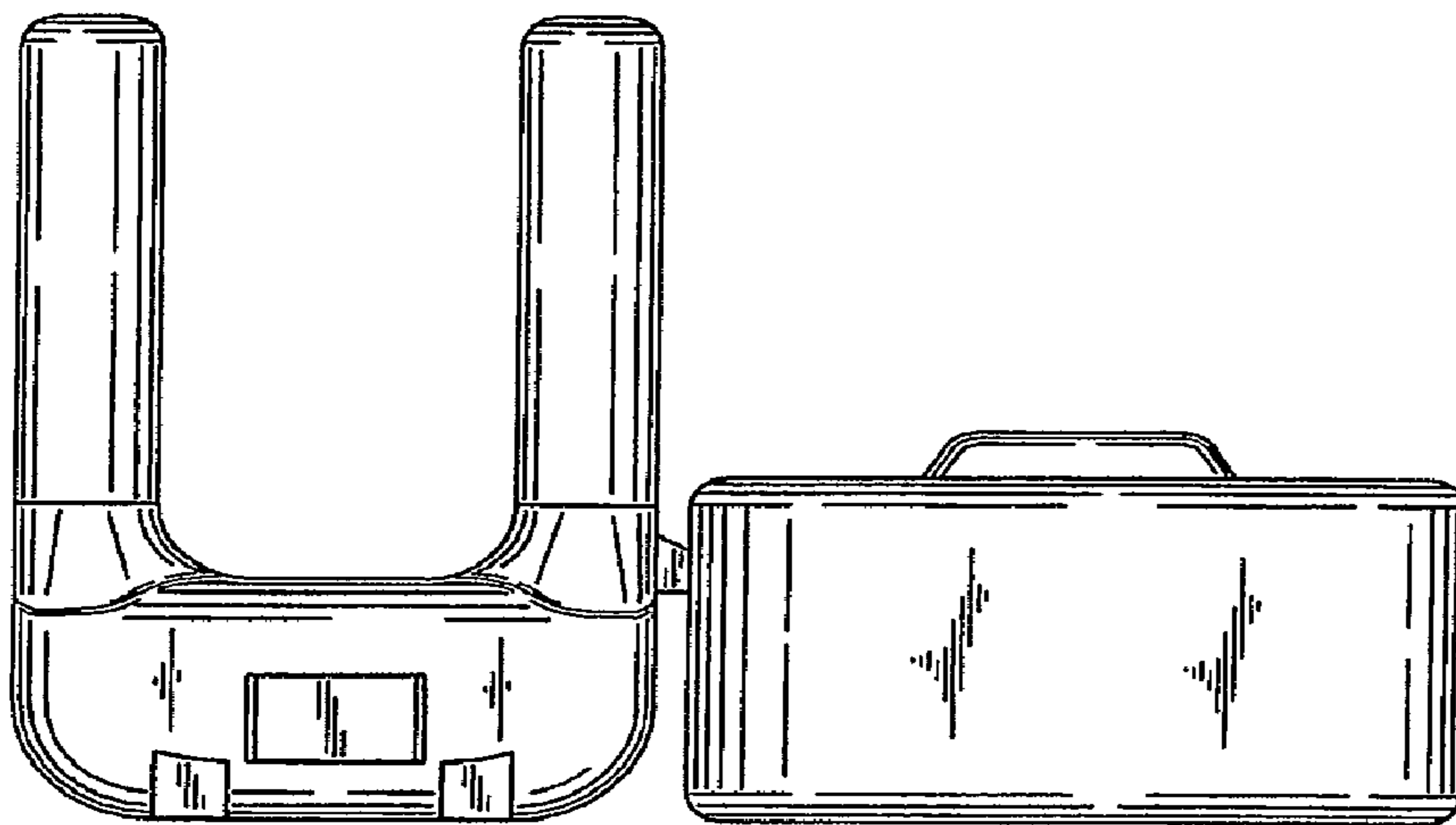
PATENT NO. : Des. 531,016 S
APPLICATION NO. : 29/217814
DATED : October 31, 2006
INVENTOR(S) : Kobayashi

Page 3 of 7

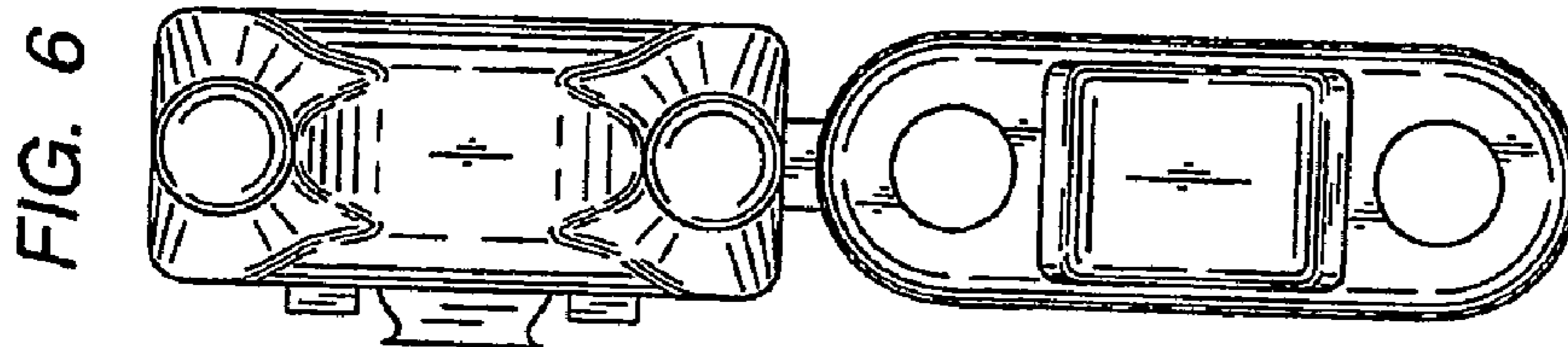
It is certified that error appears in the above-identified patent and that said Letters Patent is hereby corrected as shown below:

In Drawing Sheet 5, replace Figure 5 with the figure as shown below.

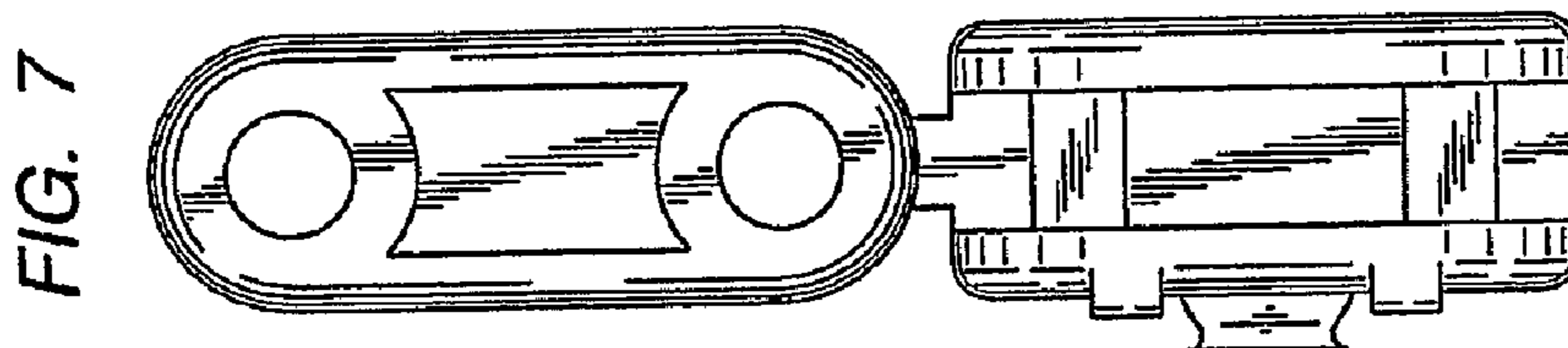
FIG. 5



In Drawing Sheet 6, replace Figure 6 with the figure as shown below.



In Drawing Sheet 7, replace Figure 7 with the figure as shown below.



UNITED STATES PATENT AND TRADEMARK OFFICE
CERTIFICATE OF CORRECTION

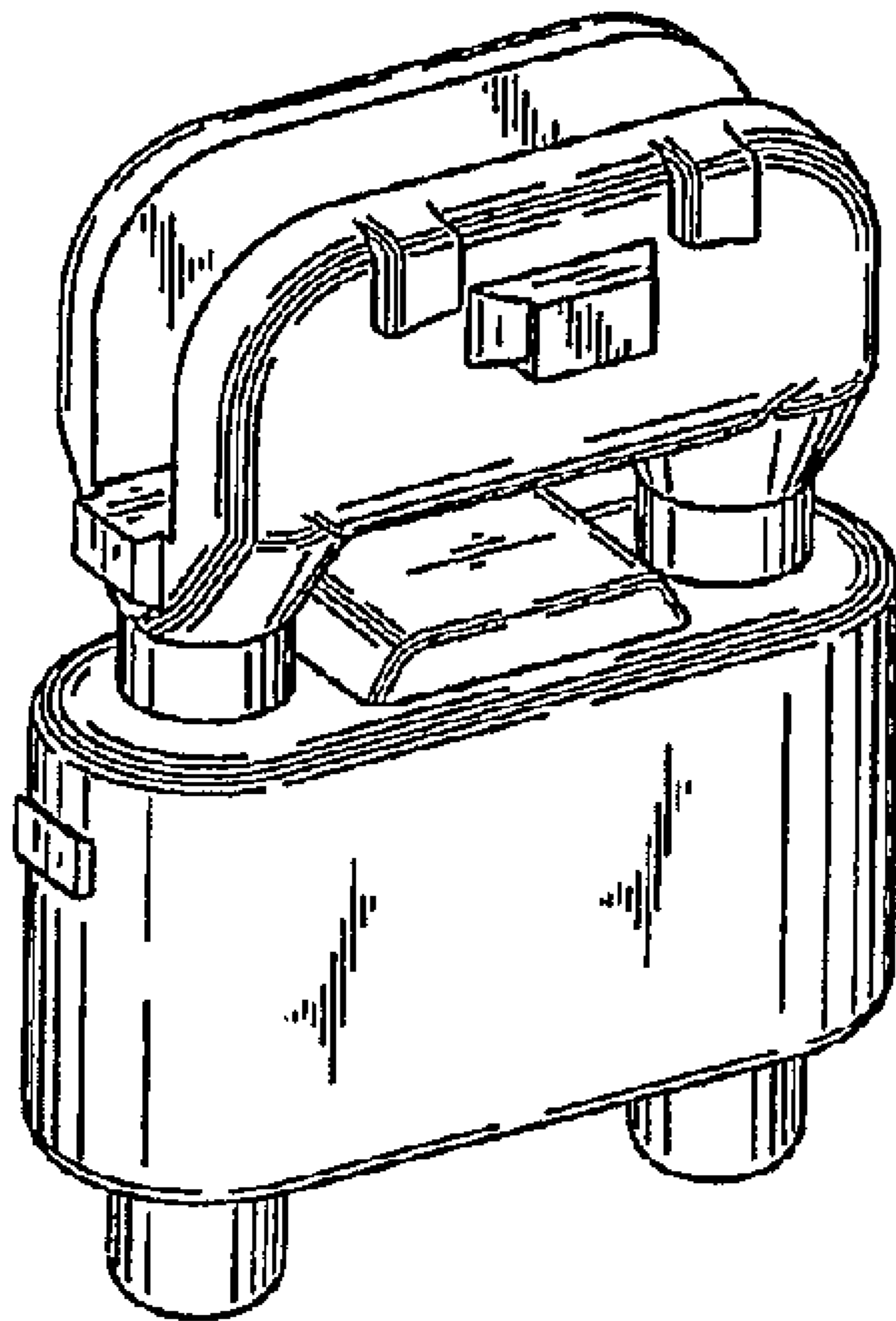
PATENT NO. : Des. 531,016 S
APPLICATION NO. : 29/217814
DATED : October 31, 2006
INVENTOR(S) : Kobayashi

Page 4 of 7

It is certified that error appears in the above-identified patent and that said Letters Patent is hereby corrected as shown below:

In Drawing Sheet 8, replace Figure 8 with the figure as shown below.

FIG. 8



UNITED STATES PATENT AND TRADEMARK OFFICE
CERTIFICATE OF CORRECTION

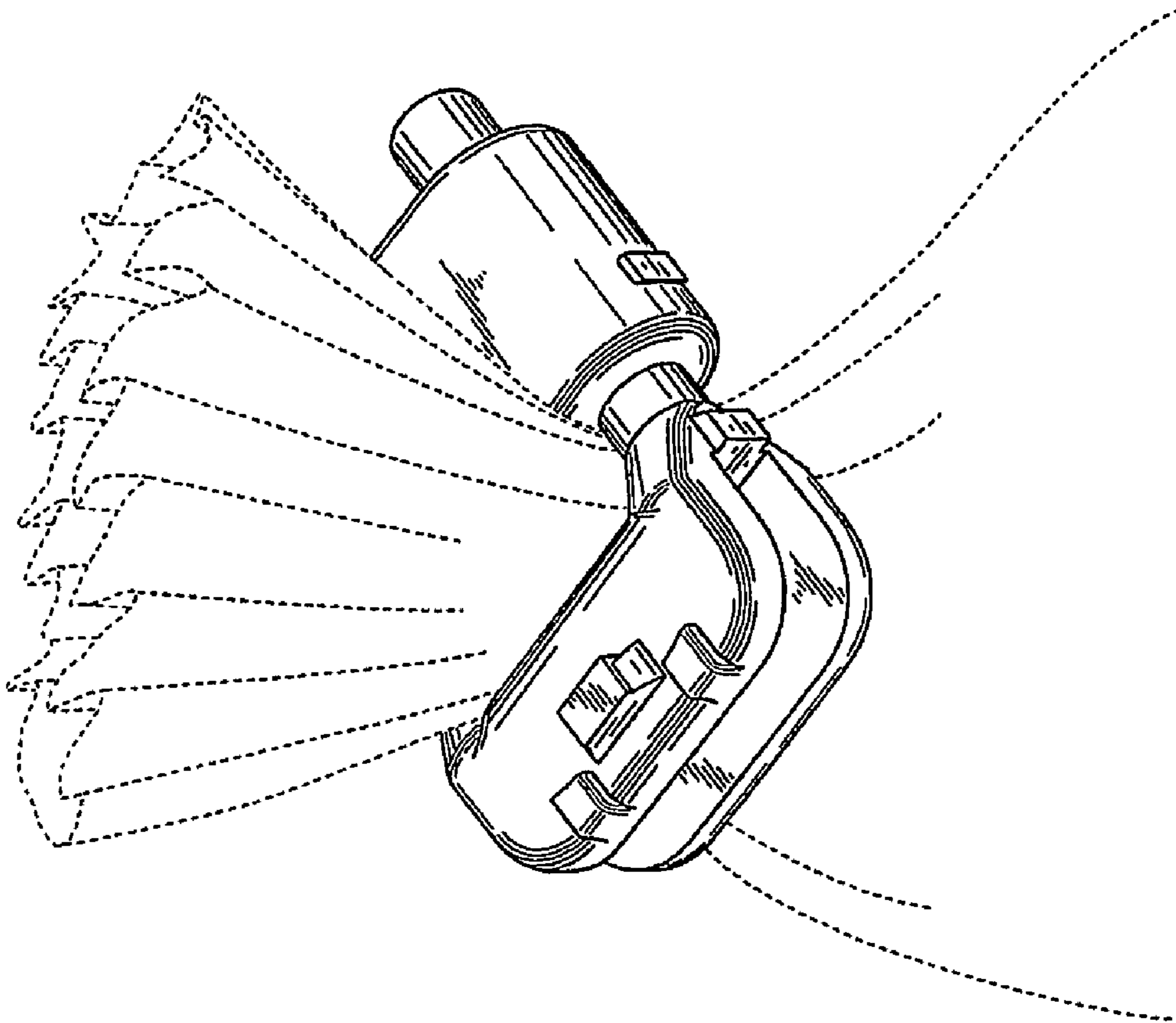
PATENT NO. : Des. 531,016 S
APPLICATION NO. : 29/217814
DATED : October 31, 2006
INVENTOR(S) : Kobayashi

Page 5 of 7

It is certified that error appears in the above-identified patent and that said Letters Patent is hereby corrected as shown below:

In Drawing Sheet 9, replace Figure 9 with the figure as shown below.

FIG. 9



UNITED STATES PATENT AND TRADEMARK OFFICE
CERTIFICATE OF CORRECTION

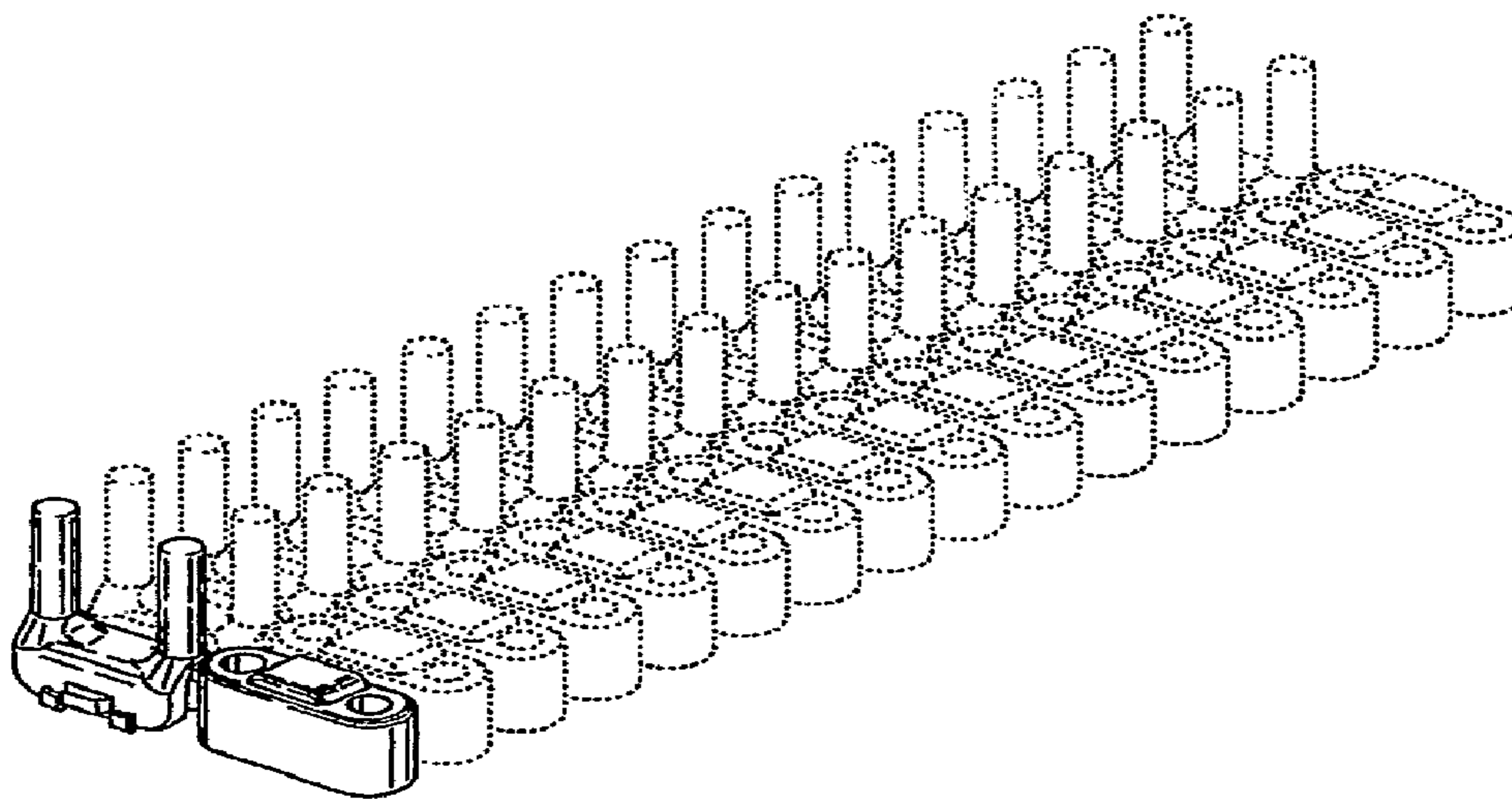
PATENT NO. : Des. 531,016 S
APPLICATION NO. : 29/217814
DATED : October 31, 2006
INVENTOR(S) : Kobayashi

Page 6 of 7

It is certified that error appears in the above-identified patent and that said Letters Patent is hereby corrected as shown below:

In Drawing Sheet 10, replace Figure 10 with the figure as shown below.

FIG. 10



Signed and Sealed this

Sixteenth Day of October, 2007

JON W. DUDAS

Director of the United States Patent and Trademark Office

(12) **United States Design Patent**
Kobayashi

(10) Patent No.: **US D531,016 S**
 (45) Date of Patent: **** Oct. 31, 2006**

(54) **SEALING CLIP FOR BAG**

(75) Inventor: **Kenji Kobayashi, Tokyo (JP)**
 (73) Assignee: **Max Co., Ltd., Tokyo (JP)**
 (**) Term: **14 Years**

(21) Appl. No.: **29/217,814**
 (22) Filed: **Nov. 23, 2004**

(30) **Foreign Application Priority Data**

May 26, 2004 (JP) 2004-013504

(51) **LOC (8) Cl.** **08-08**

(52) **U.S. Cl.** **D8/394**

(58) **Field of Classification Search** **D8/356,**
D8/371, 394-396; 248/74.2, 215, 227.1,
248/49, 300, 301, 316.7, 51, 489; 24/22,
24/67 R, 20 S, 115 R, 546, 563, 343, 67.9,
24/30.5 R, 16 R, 136 R, 74.1, 74.2; D19/65
 See application file for complete search history.

(56) **References Cited**

U.S. PATENT DOCUMENTS

2,440,912 A * 4/1948 Haver 24/30.5 R
 D180,993 S * 4/1957 Meyer D8/396
 3,282,318 A * 11/1966 Nyland 152/243
 3,939,533 A * 2/1976 Benape 24/30.5 R
 D276,398 S * 11/1984 Morris Jr D8/396
 D415,017 S * 10/1999 Lo D8/396
 5,996,945 A * 12/1999 Coles et al. 248/88.1

D463,253 S * 9/2002 Canty D8/356

FOREIGN PATENT DOCUMENTS

JP D 1153044 S 9/2002

* cited by examiner

Primary Examiner—Robert A. Delehanty
Assistant Examiner—John Windmüller
 (74) *Attorney, Agent, or Firm*—Morgan, Lewis & Bockius
 LLP

(57) **CLAIM**

The ornamental design for a sealing clip for bag, as shown and described.

DESCRIPTION

FIG. 1 is a perspective view of a sealing clip for bag showing my new design;
 FIG. 2 is a front elevational view thereof;
 FIG. 3 is a rear elevational view thereof;
 FIG. 4 is a right side elevational view thereof;
 FIG. 5 is a left side elevational view thereof;
 FIG. 6 is a top plan view thereof;
 FIG. 7 is a bottom plan view thereof;
 FIG. 8 is a perspective view thereof in a position of use;
 FIG. 9 is a perspective view thereof in use with a bag; and,
 FIG. 10 is a perspective view thereof joined with multiple other sealing clips for bag.
 The elements shown in broken lines are for illustrative purposes only and form no part of the claimed design.

1 Claim, 10 Drawing Sheets

