



US00D531015S

(12) **United States Design Patent**
Lin

(10) **Patent No.:** **US D531,015 S**

(45) **Date of Patent:** **** Oct. 31, 2006**

(54) **THREADED FASTENER**

D422,202 S * 4/2000 Maki D8/387
D464,254 S * 10/2002 Monson D8/387

(76) Inventor: **Chang Hui Lin**, No. 13, Ju Wei Lane,
Gin Lin Tsuen, Siu Shui Hsiang, Chang
Hua Hsien, 50446 (TW)

* cited by examiner

Primary Examiner—Holly Baynham

(74) *Attorney, Agent, or Firm*—Charles E. Baxley

(**) Term: **14 Years**

(57) **CLAIM**

(21) Appl. No.: **29/213,807**

The ornamental design for a threaded fastener, as shown and described.

(22) Filed: **Sep. 22, 2004**

(51) **LOC (8) Cl.** **08-08**

(52) **U.S. Cl.** **D8/387**

(58) **Field of Classification Search** D8/393,
D8/387; 411/403, 405, 378, 411
See application file for complete search history.

DESCRIPTION

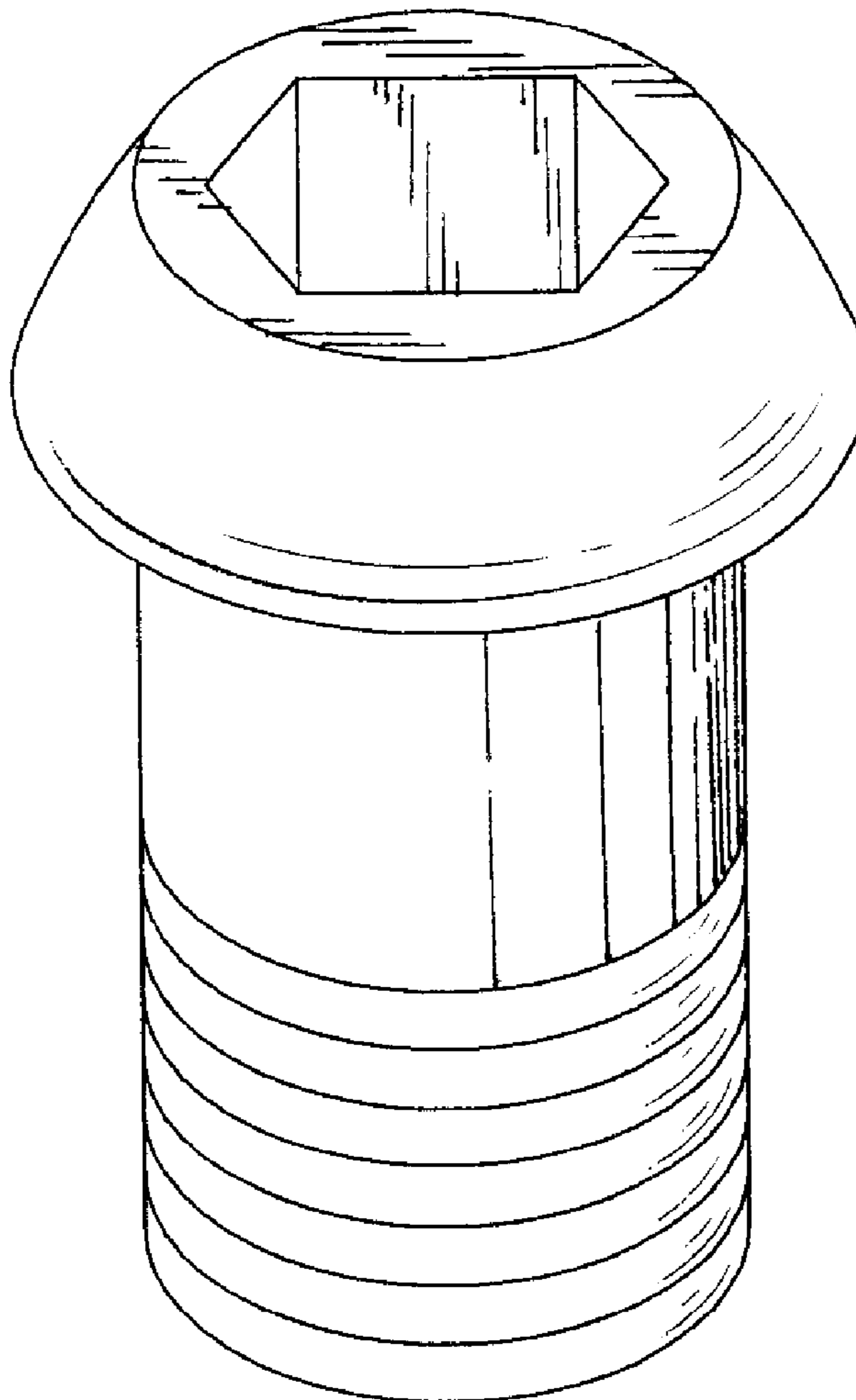
FIG. 1 is a perspective view of a threaded fastener showing my new design;
FIG. 2 is a front elevational view thereof;
FIG. 3 is a rear elevational view thereof;
FIG. 4 is a top plan view thereof;
FIG. 5 is a bottom plan view thereof;
FIG. 6 is a left side elevational view thereof; and,
FIG. 7 is a right side elevational view thereof.

(56) **References Cited**

U.S. PATENT DOCUMENTS

3,498,173 A * 3/1970 Wright 411/403
D363,878 S * 11/1995 Hayabusa D8/387
D415,676 S * 10/1999 Negishi et al. D8/387

1 Claim, 4 Drawing Sheets



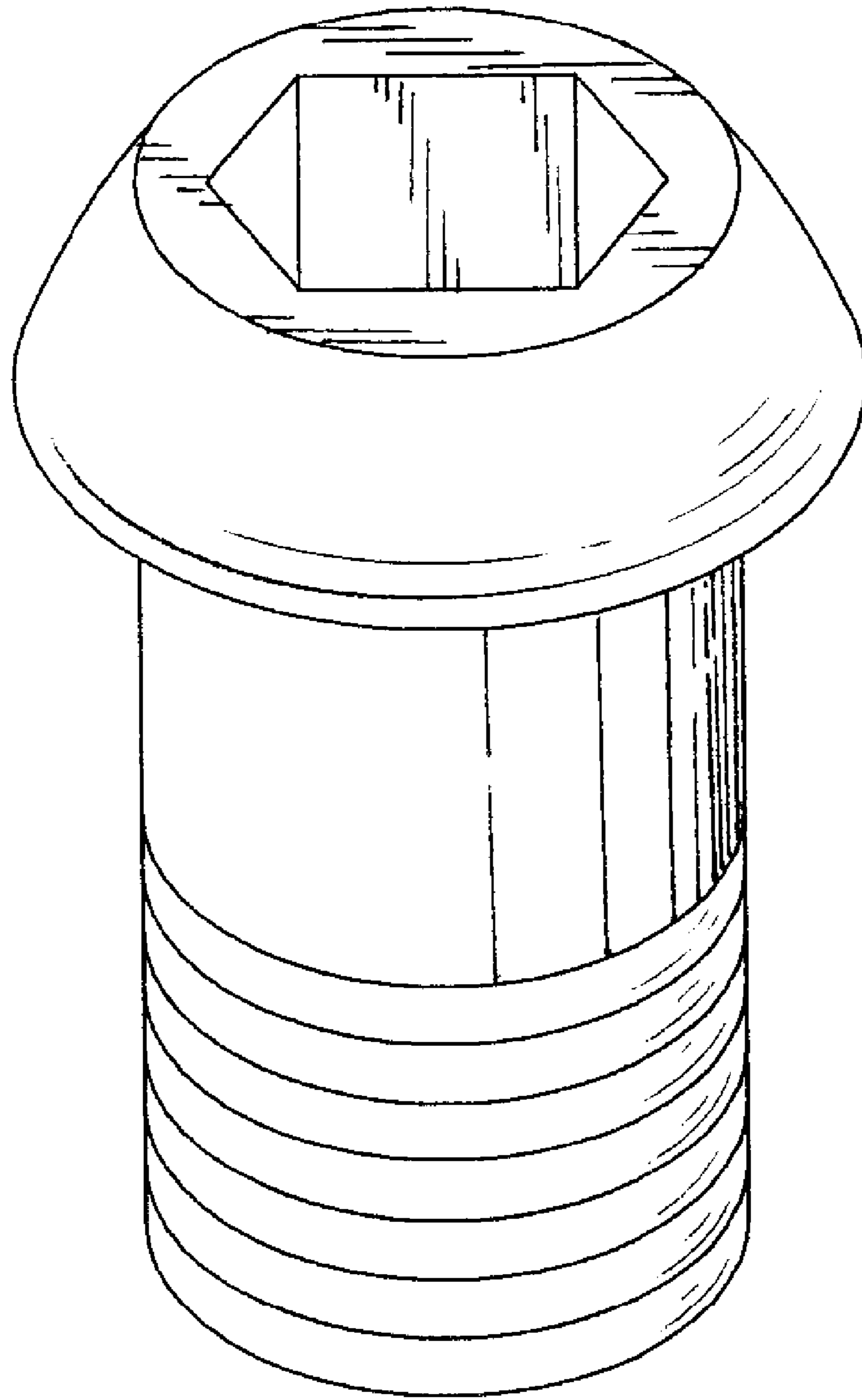


FIG. 1

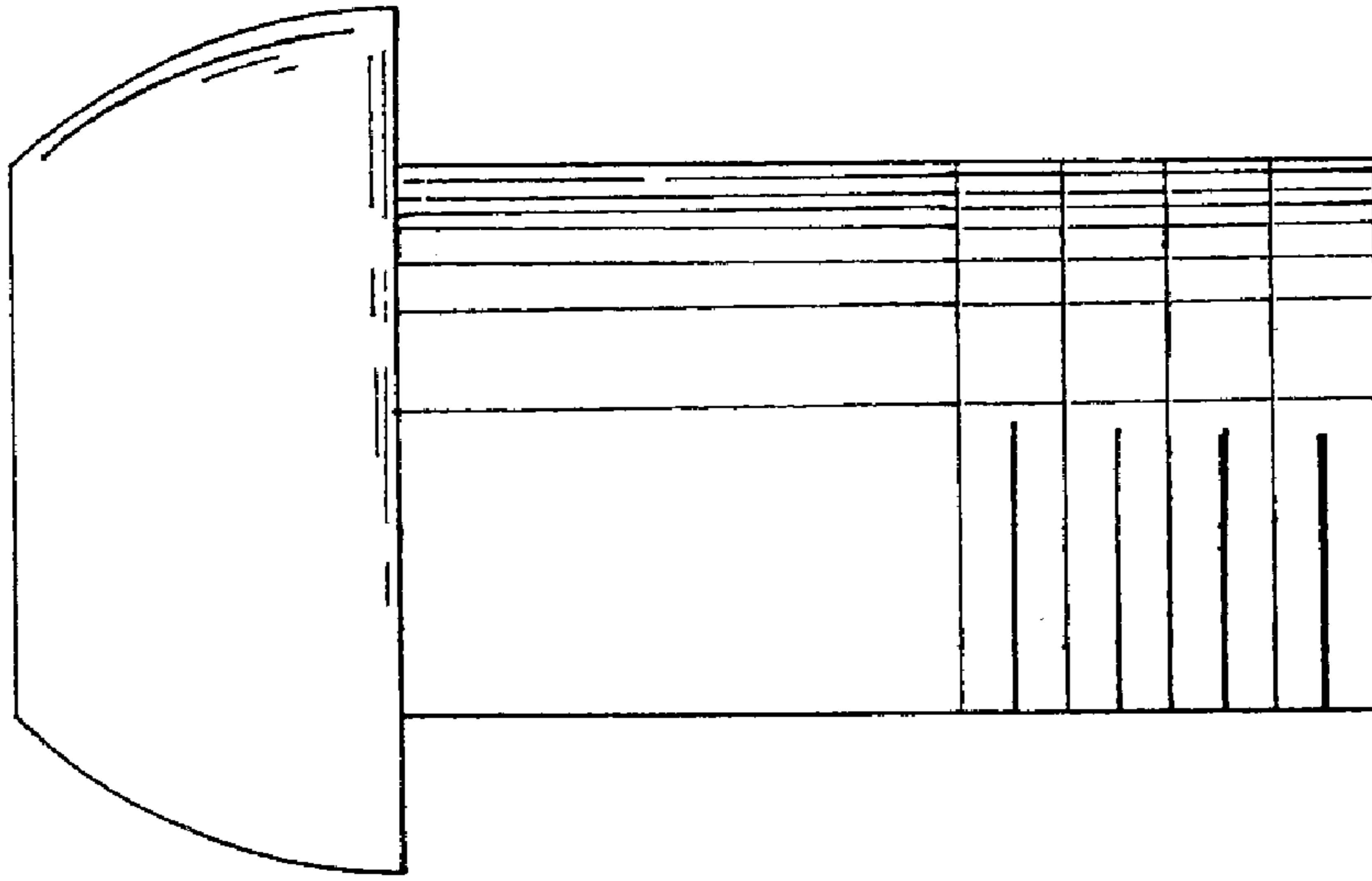


FIG. 2

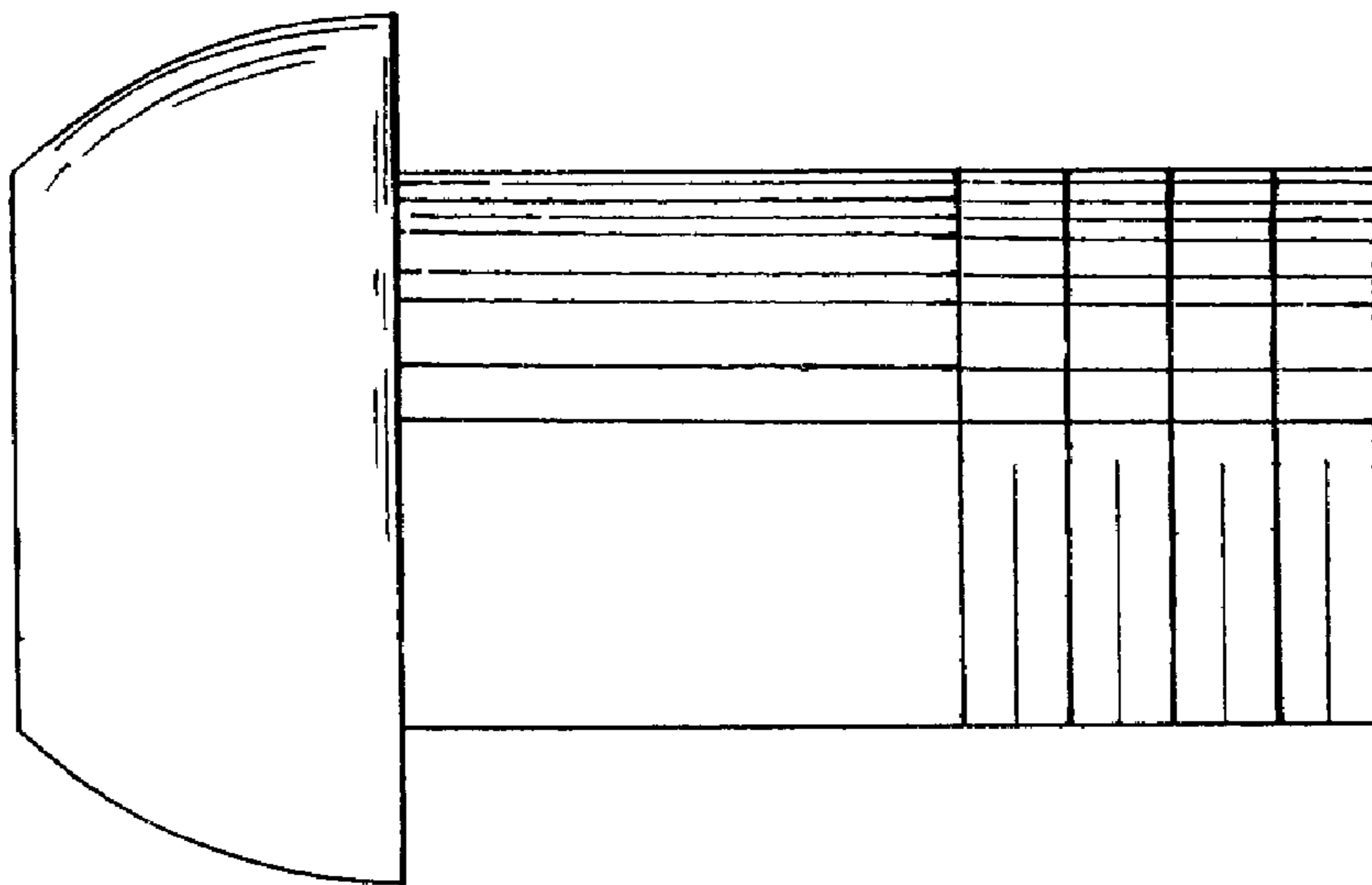


FIG. 3

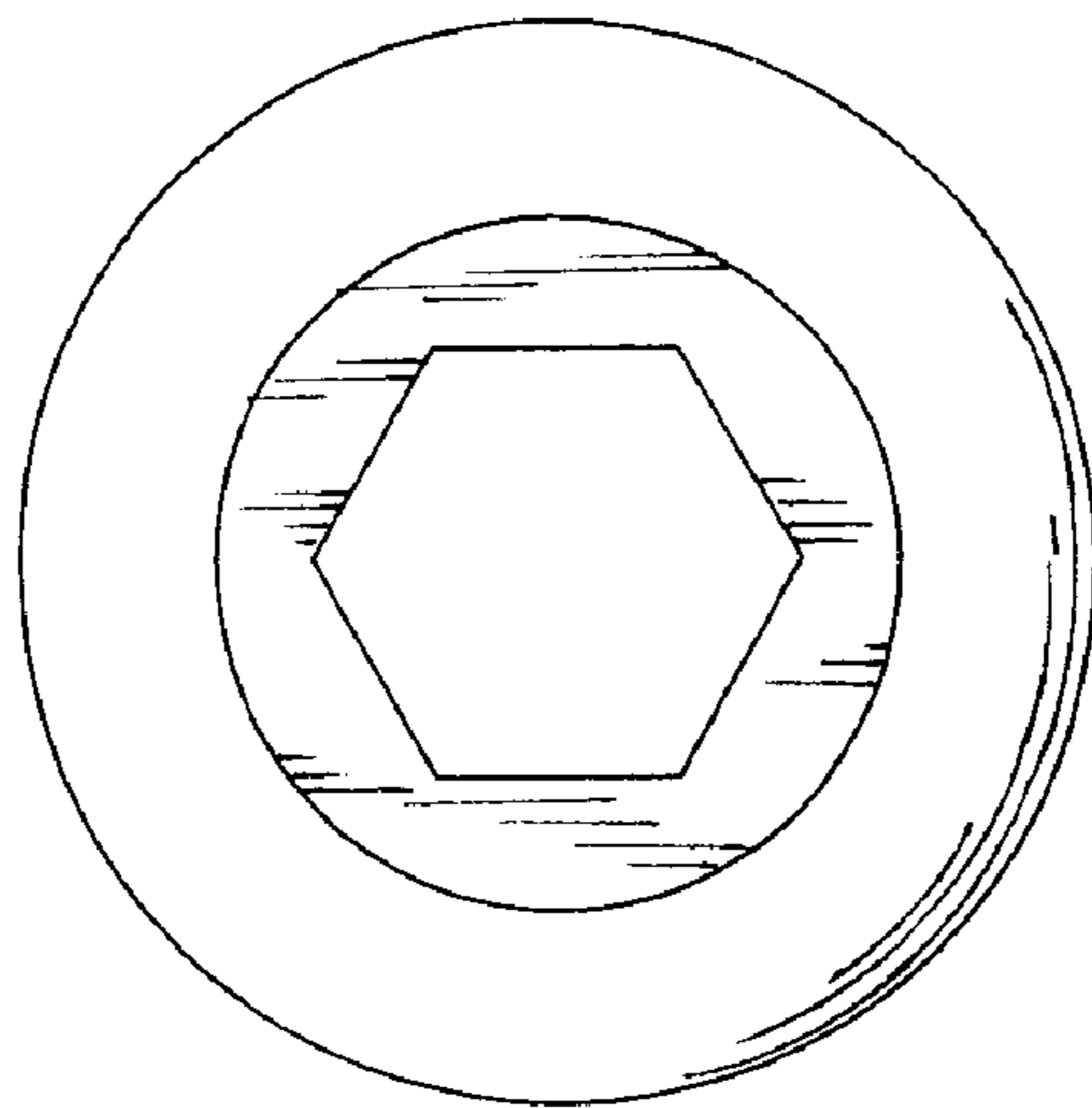


FIG. 4

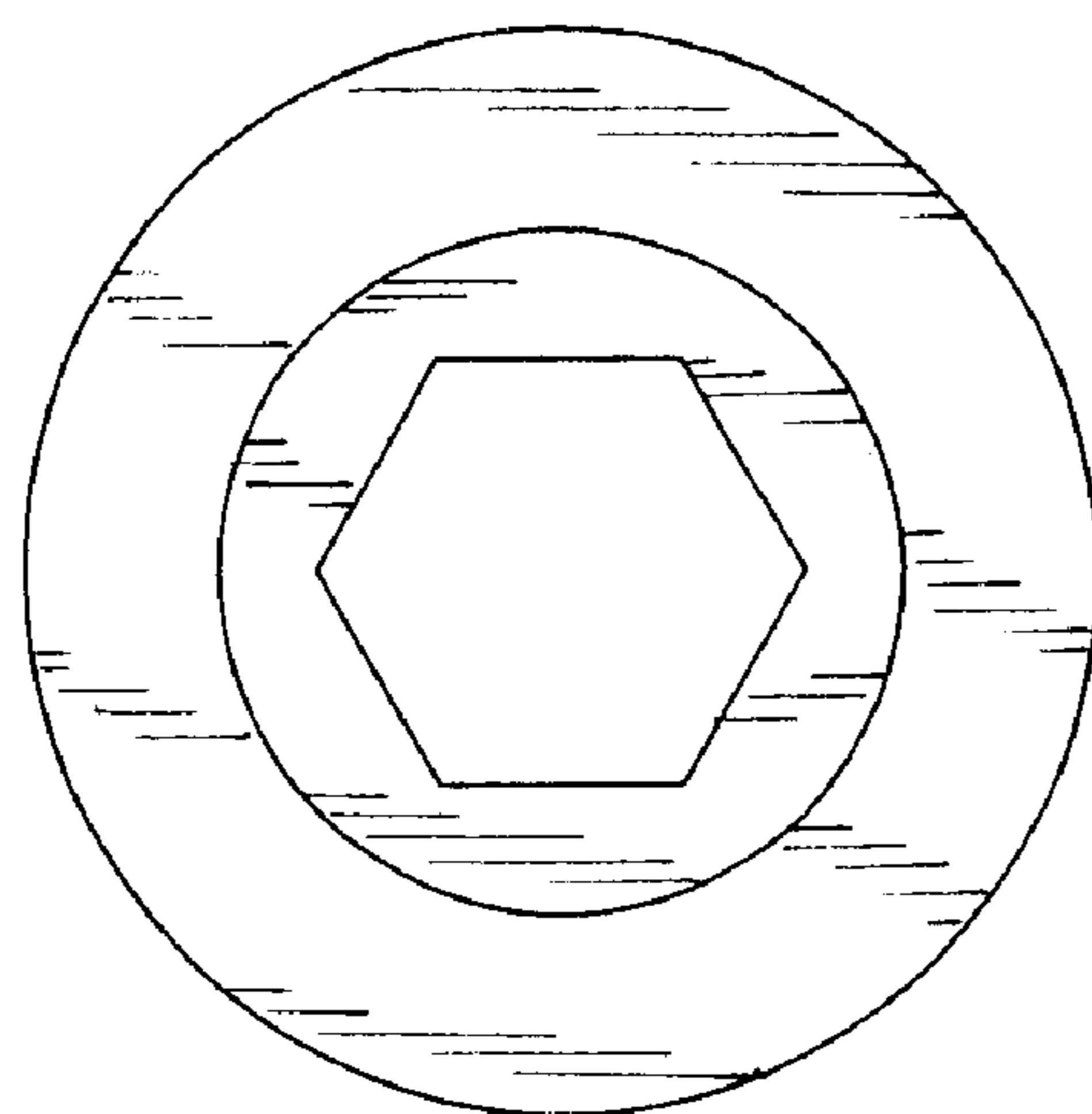


FIG. 5

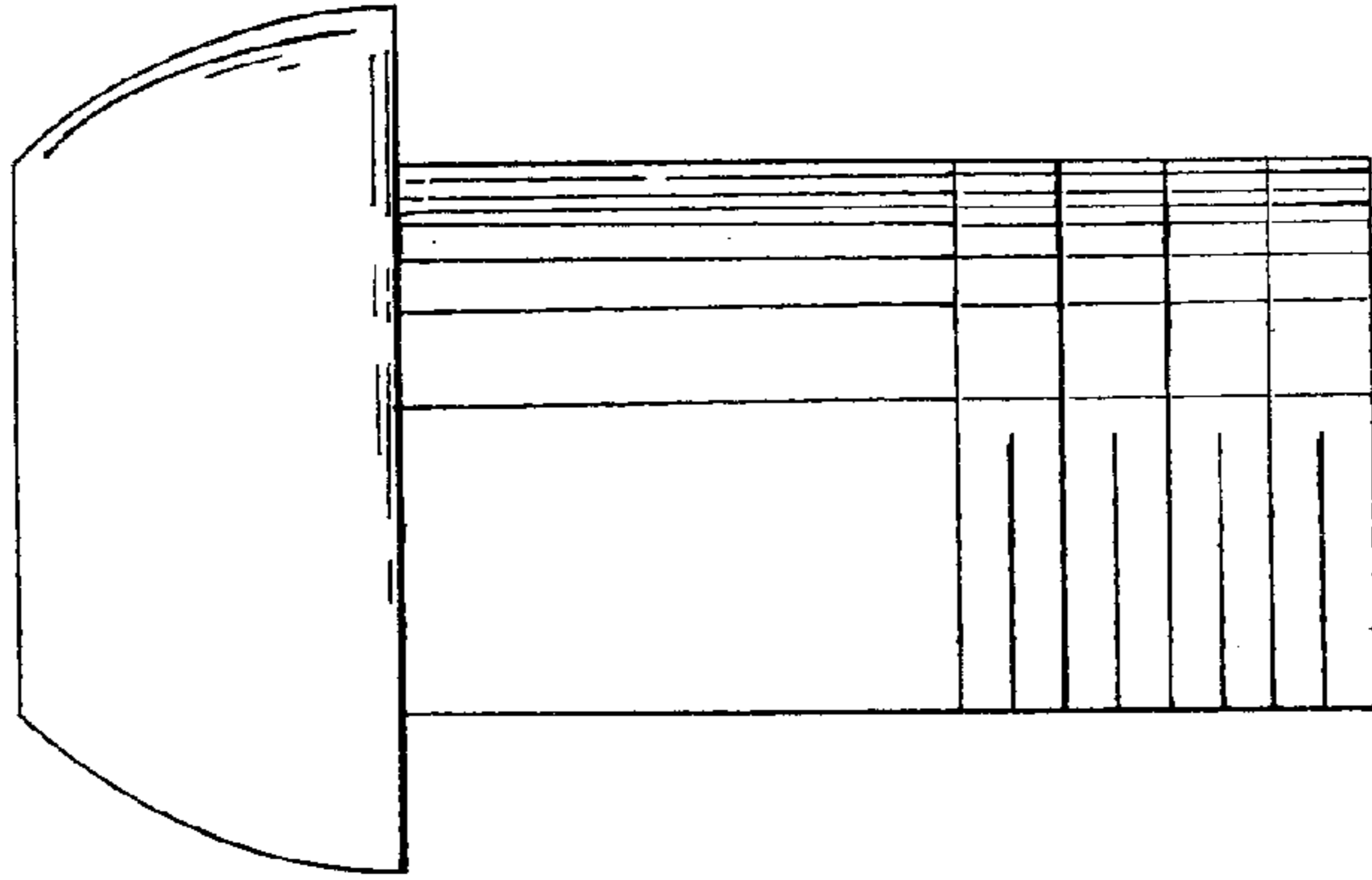


FIG. 6

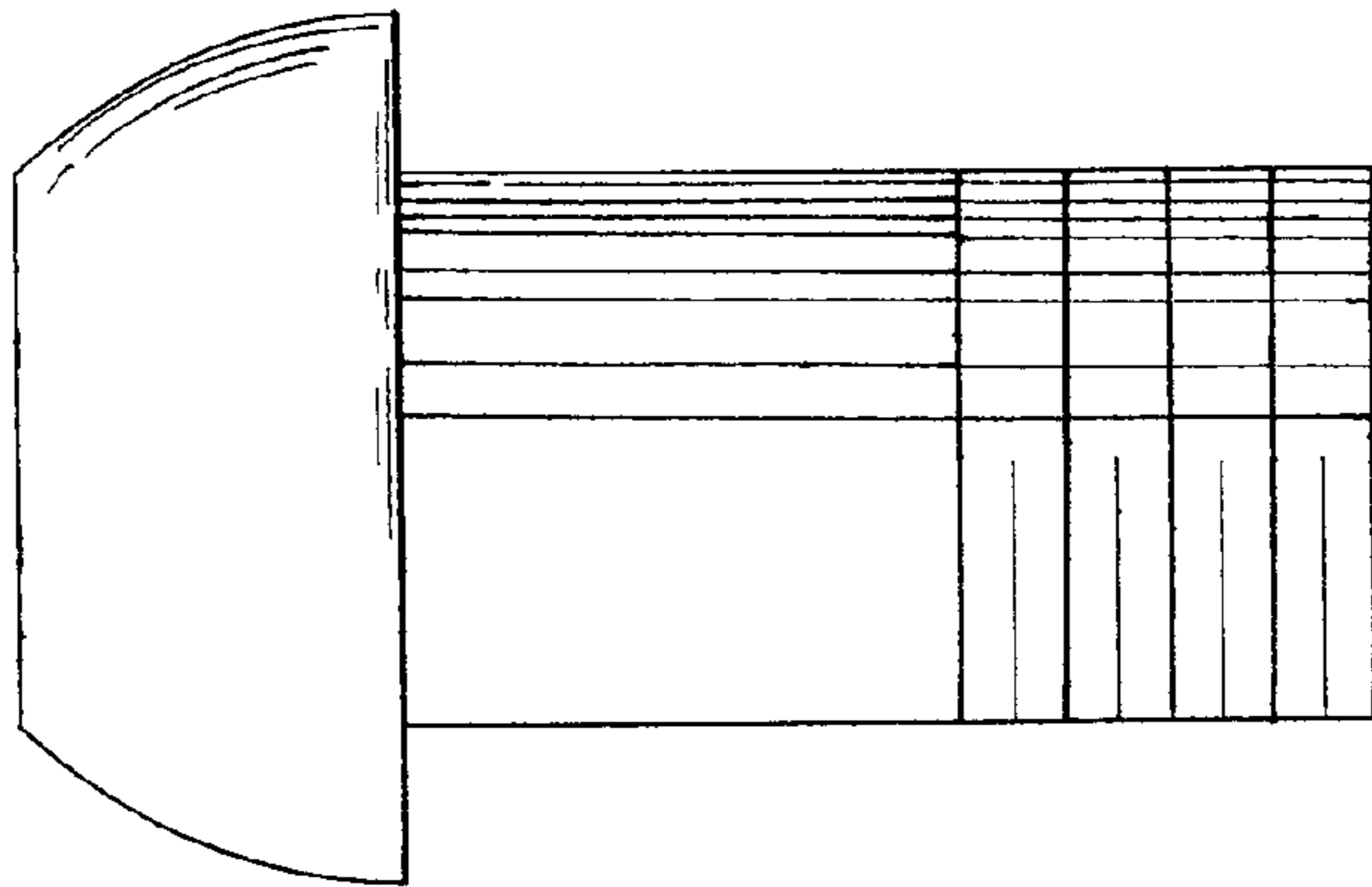


FIG. 7