

US00D531013S

(12) **United States Design Patent**
Yuta et al.

(10) **Patent No.:** **US D531,013 S**
(45) **Date of Patent:** **** Oct. 31, 2006**

(54) **FASTENER FOR VEHICLE**

D484,779 S * 1/2004 Shibuya D8/382
6,751,829 B1 * 6/2004 Bergstrom 24/115 H

(75) Inventors: **Kiyoteru Yuta**, Toyohashi (JP);
Yoshimichi Matsudaira, Toyohashi
(JP)

* cited by examiner

Primary Examiner—Holly Baynham

(73) Assignee: **Newfrey, LLC**, Newark, DE (US)

(74) *Attorney, Agent, or Firm*—Miles & Stockbridge P.C.

(**) Term: **14 Years**

(57) **CLAIM**

The ornamental design for a fastener for vehicle, as shown and described.

(21) Appl. No.: **29/217,213**

(22) Filed: **Nov. 16, 2004**

DESCRIPTION

(30) **Foreign Application Priority Data**

May 25, 2004 (JP) 2004-015331

FIG. 1 is an enlarged perspective view of a fastener for vehicle showing our new design in an unlocked condition; FIG. 2 is a left side elevation view thereof, the right side elevation view being identical;

(51) **LOC (8) Cl.** **08-08**

FIG. 3 is a top view thereof;

(52) **U.S. Cl.** **D8/382**

FIG. 4 is a bottom view thereof;

(58) **Field of Classification Search** D8/382–383;
24/115 G, 115 H, 129 R; 411/508–509
See application file for complete search history.

FIG. 5 is a front elevation view thereof, the rear elevation view being identical;

(56) **References Cited**

U.S. PATENT DOCUMENTS

D297,615 S * 9/1988 Nakama D8/382
D381,258 S * 7/1997 Saito D8/382
5,797,714 A * 8/1998 Oddenino 411/508
D413,508 S * 9/1999 Shibao D8/382

FIG. 6 is a sectional view along line 6—6 of FIG. 5;

FIG. 7 is a sectional view along line 7—7 of FIG. 5;

FIG. 8 is a sectional view along line 8—8 of FIG. 5;

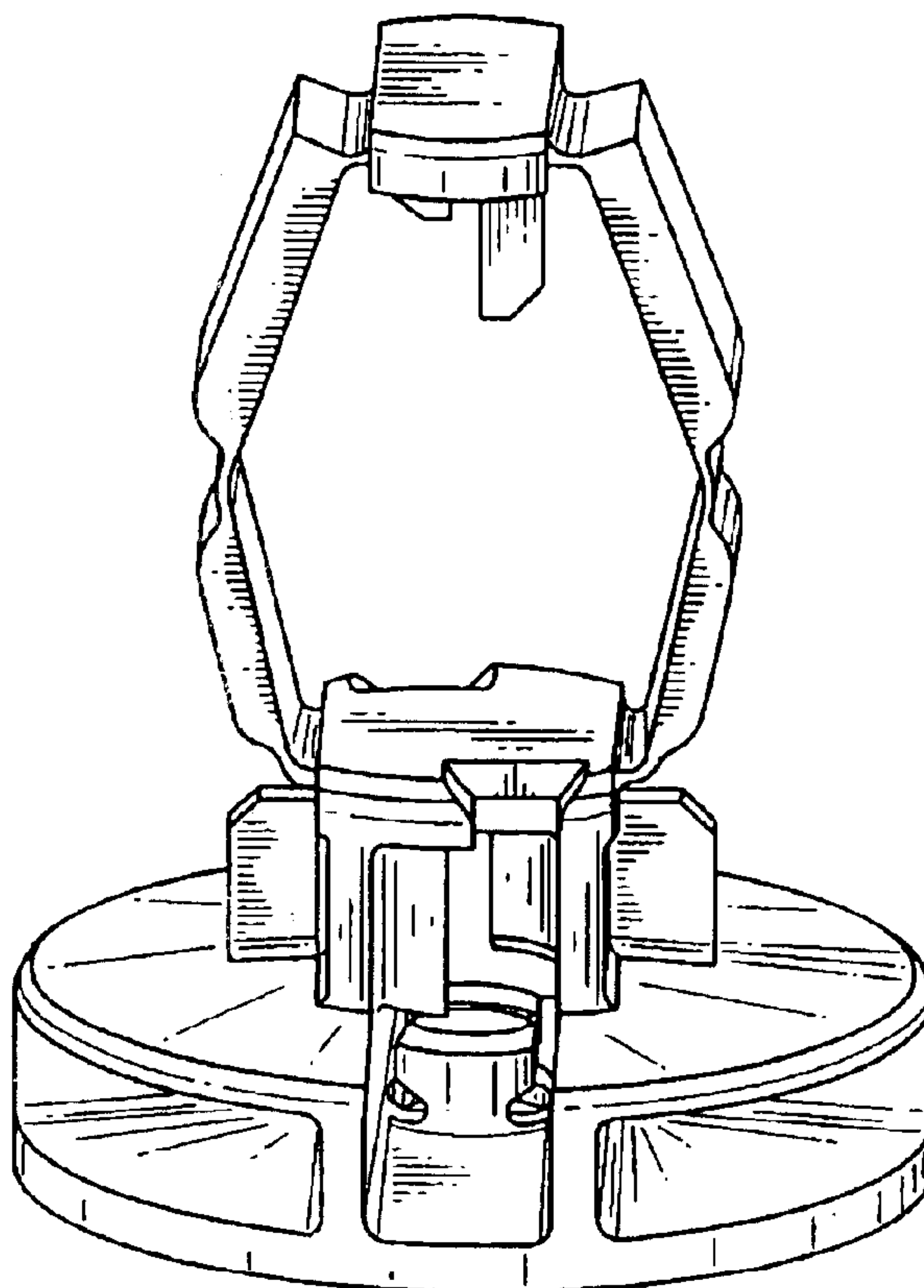
FIG. 9 is a sectional view along line 9—9 of FIG. 5;

FIG. 10 is a sectional view along line 10—10 of FIG. 5;

FIG. 11 is an enlarged perspective view of the fastener for vehicle showing our new design in a locked condition; and,

FIG. 12 is a front elevation view thereof, the rear elevation view being identical.

1 Claim, 6 Drawing Sheets



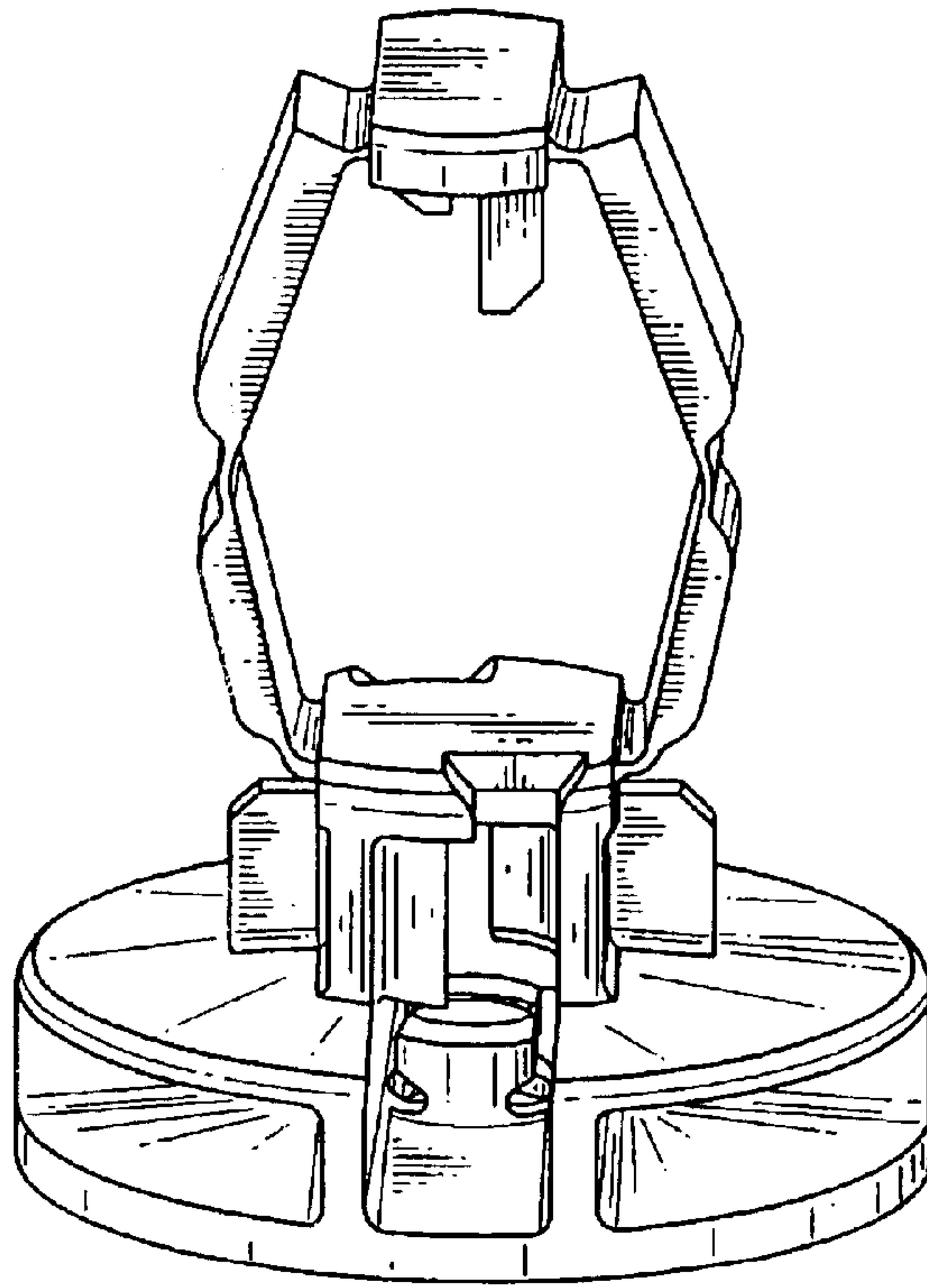


FIG. 1

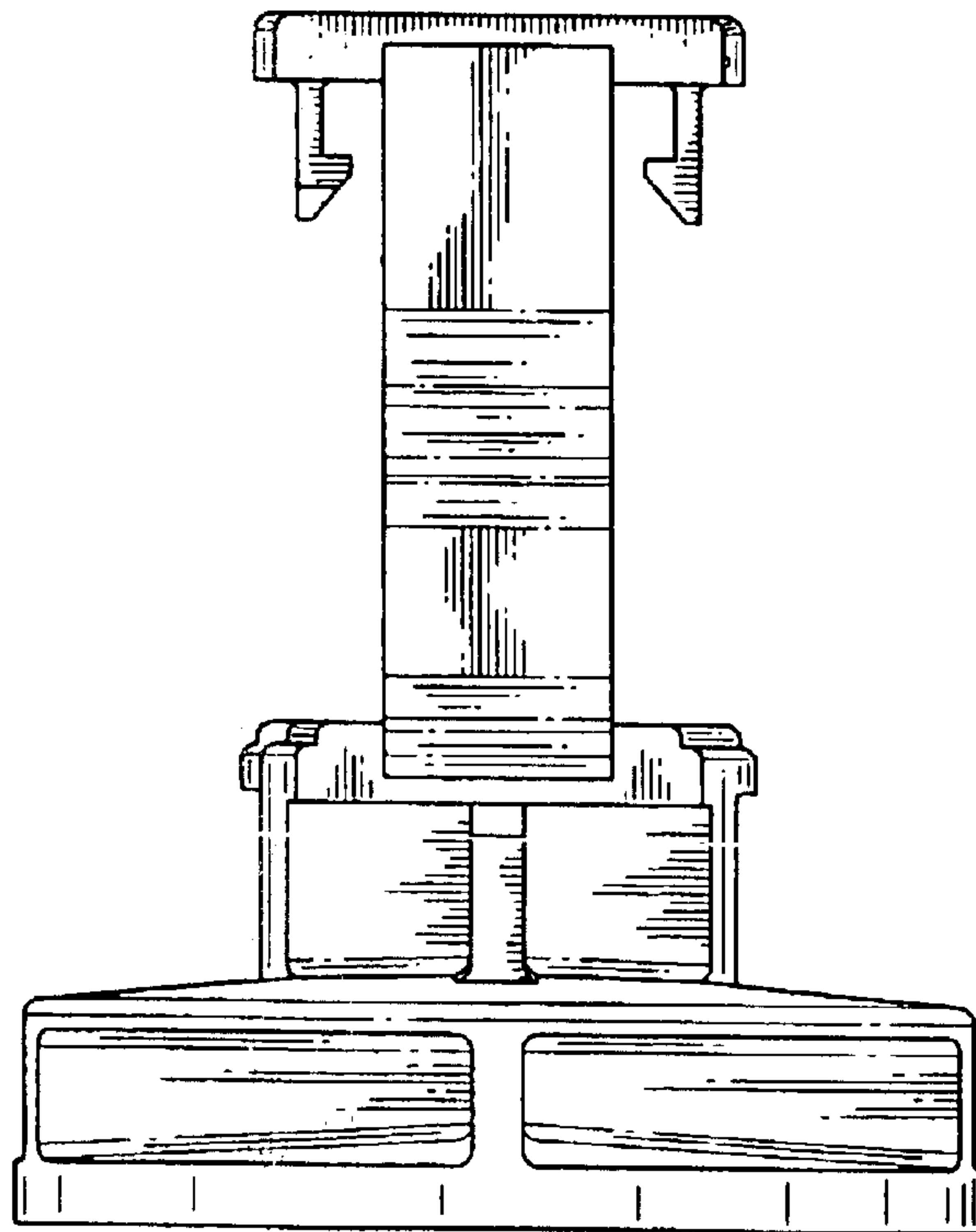


FIG. 2

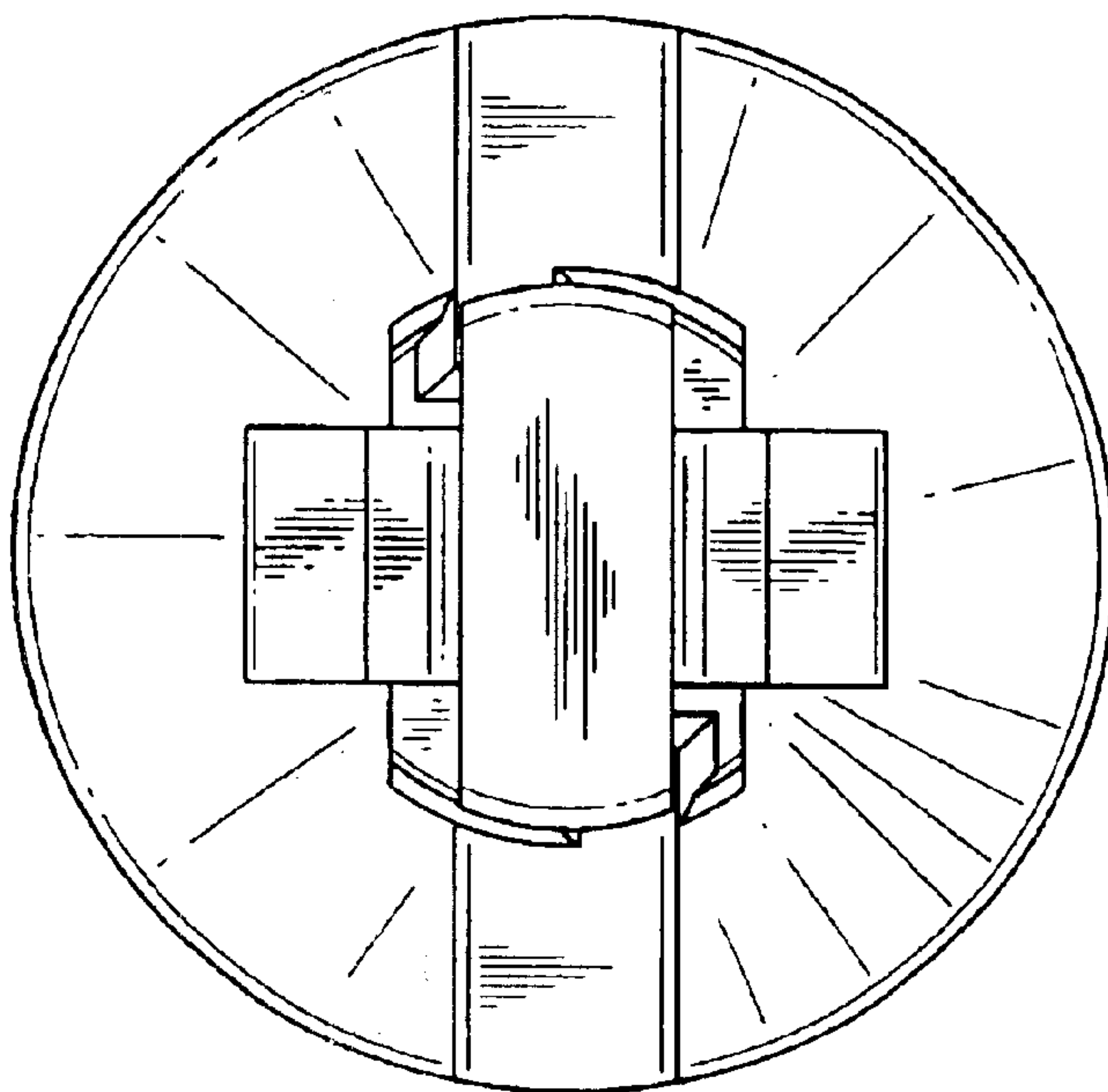


FIG. 3

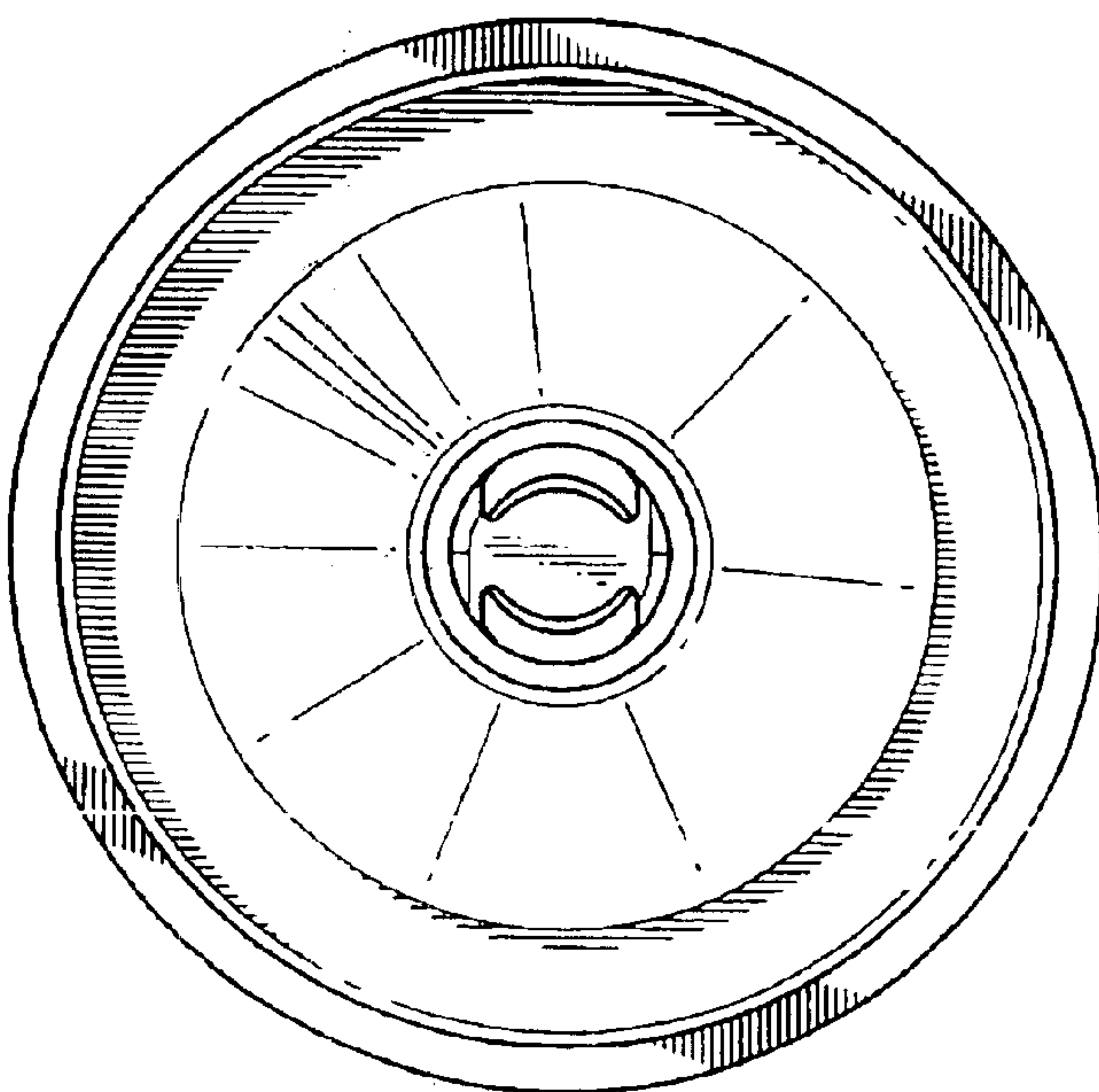


FIG. 4

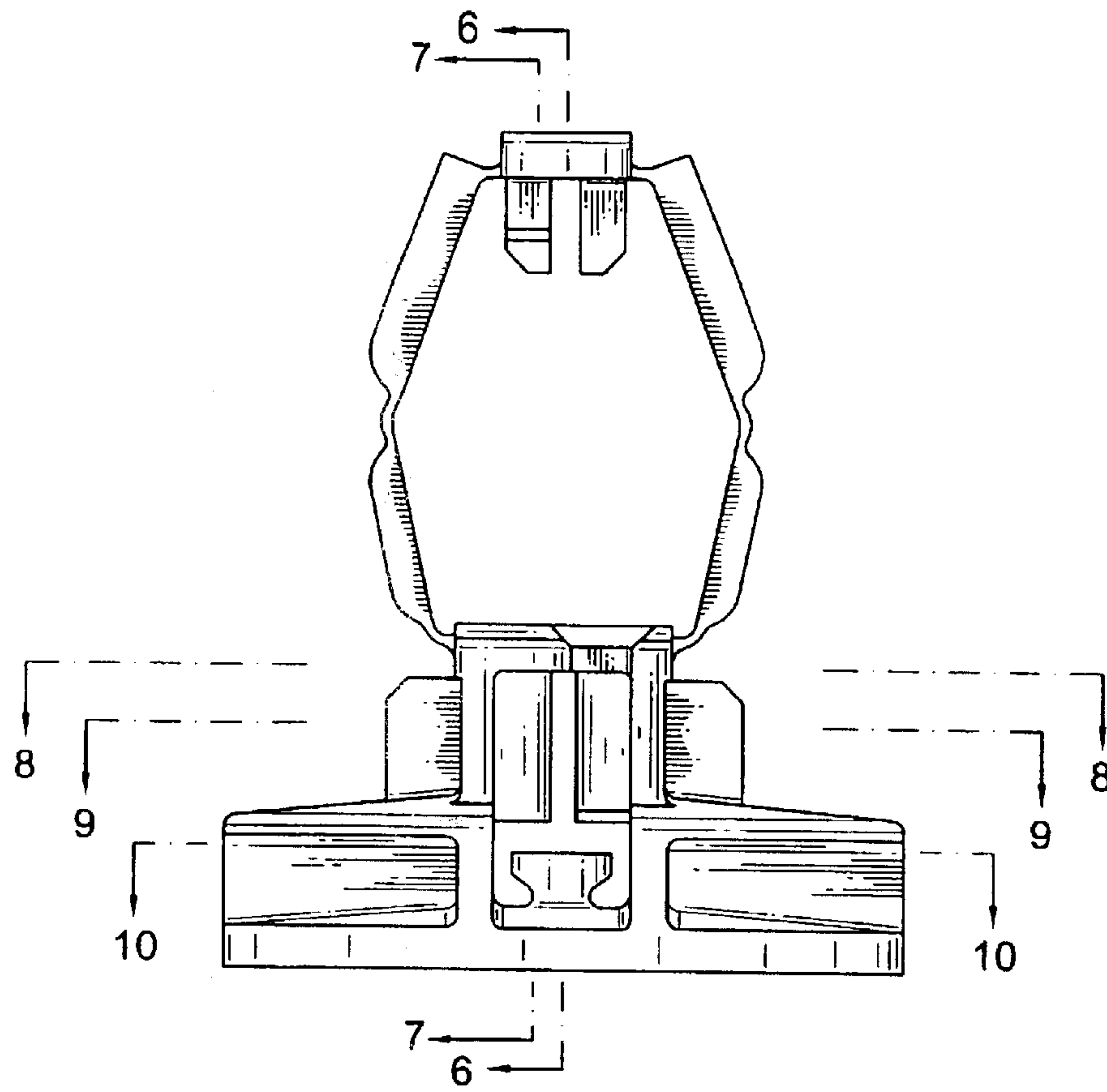


FIG. 5

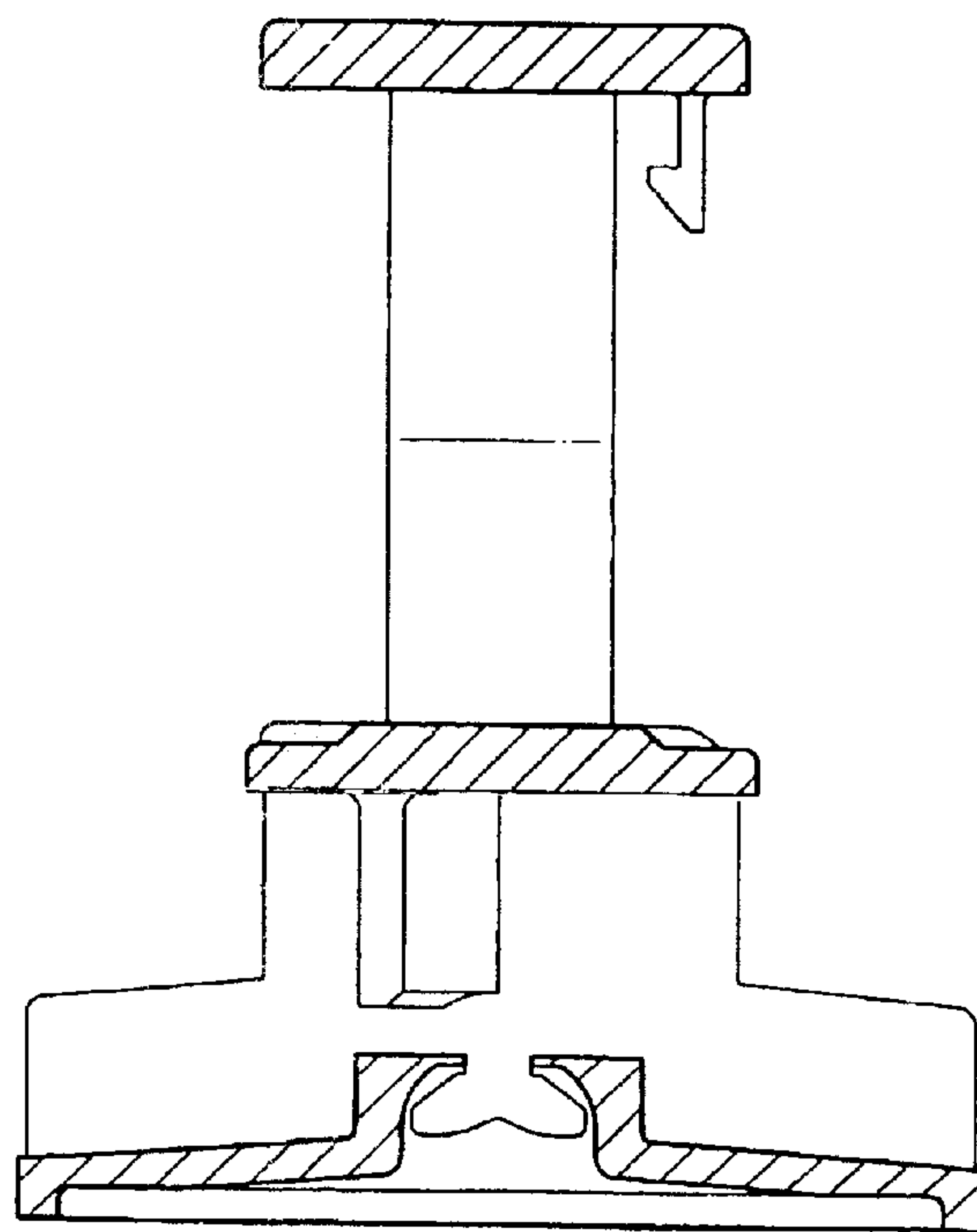


FIG. 6

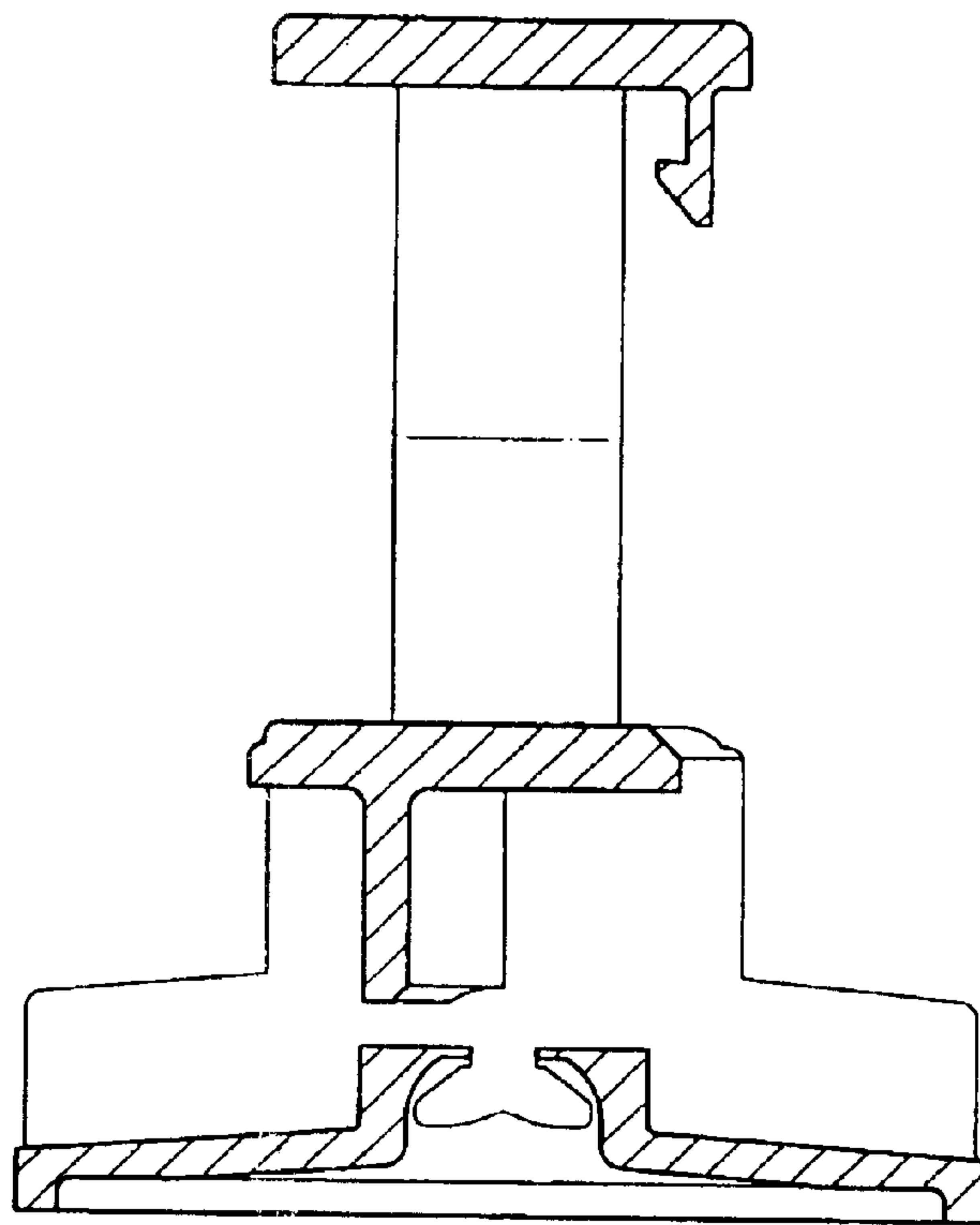


FIG. 7

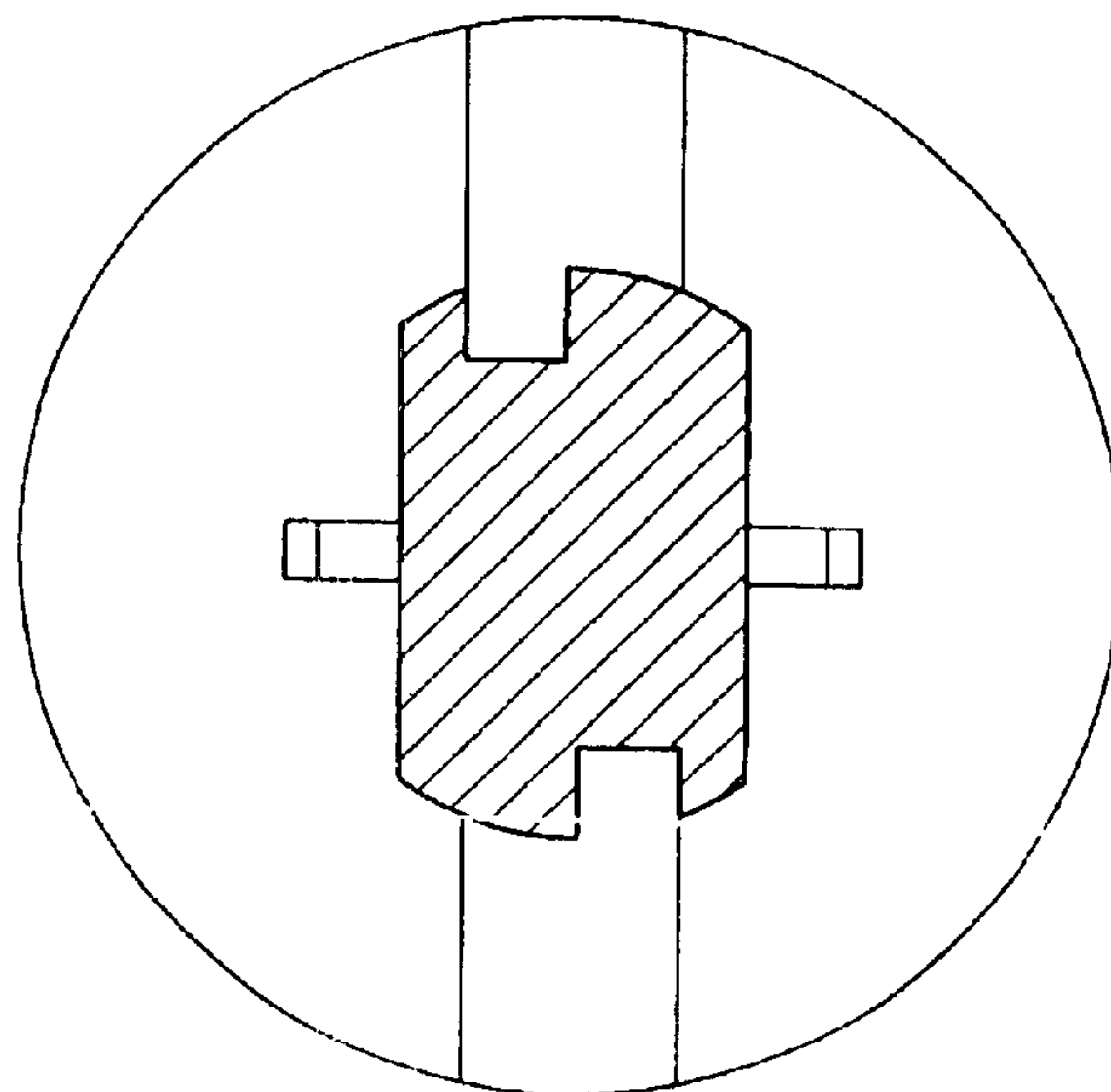


FIG. 8

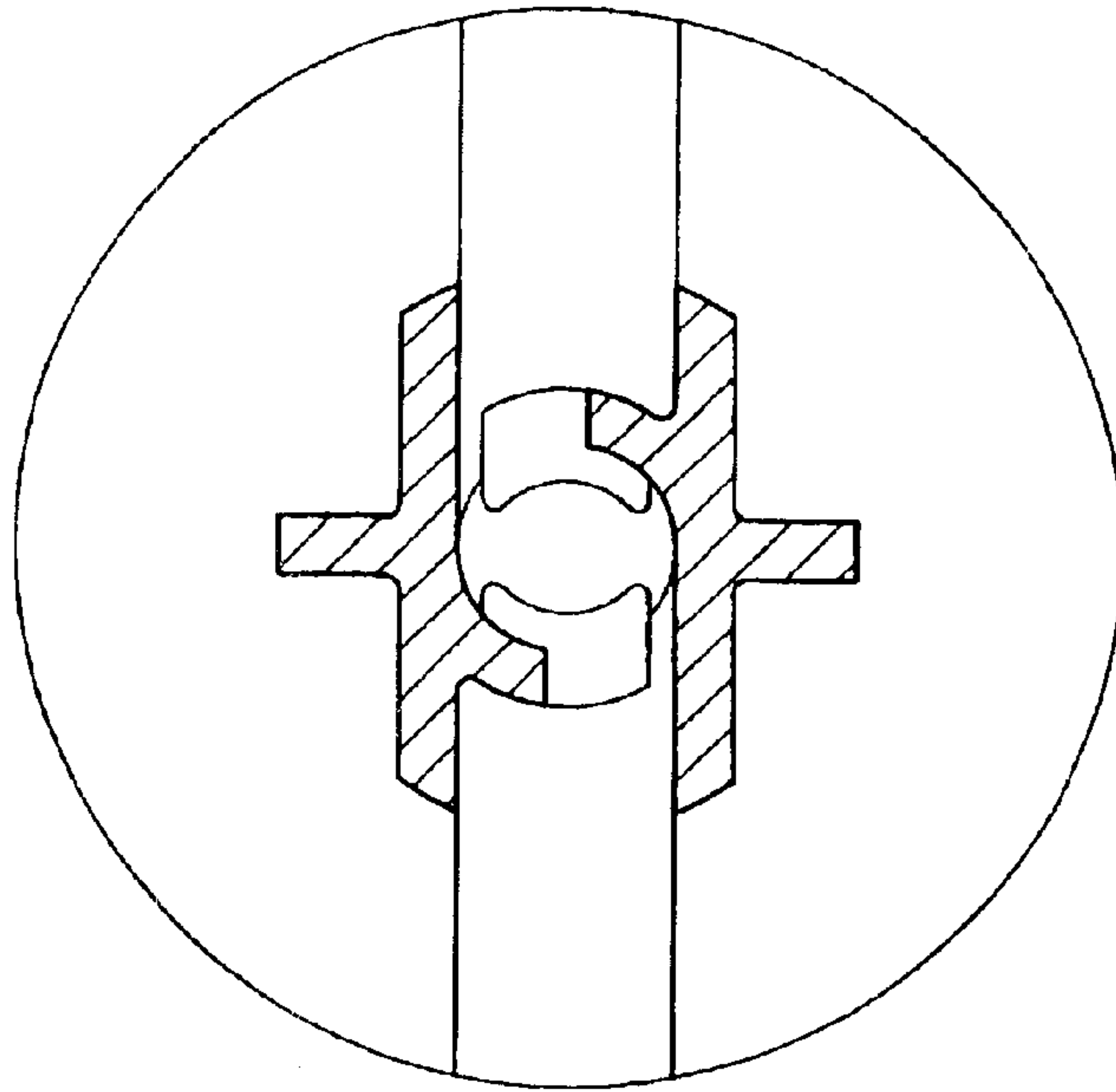


FIG. 9

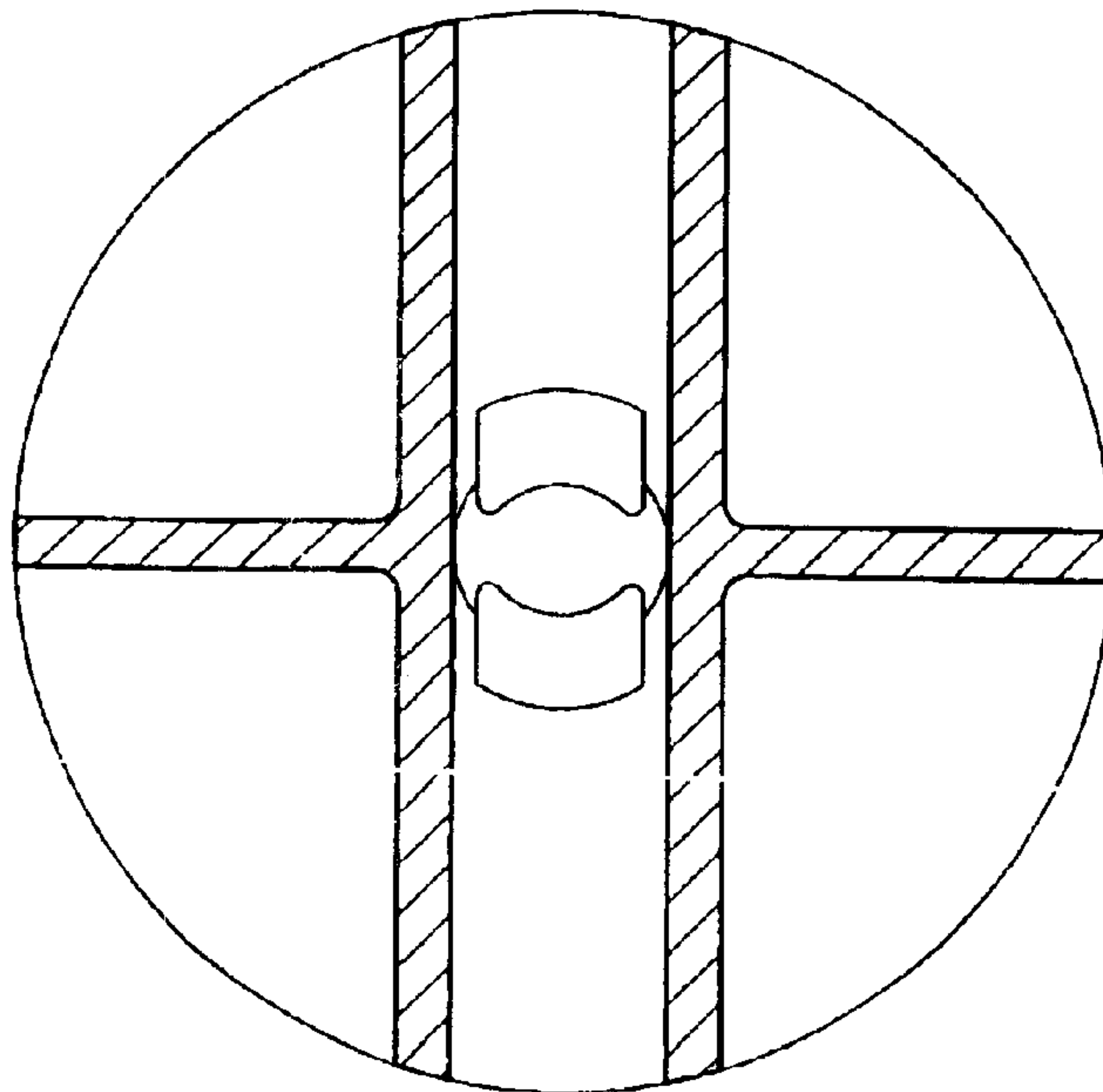


FIG. 10

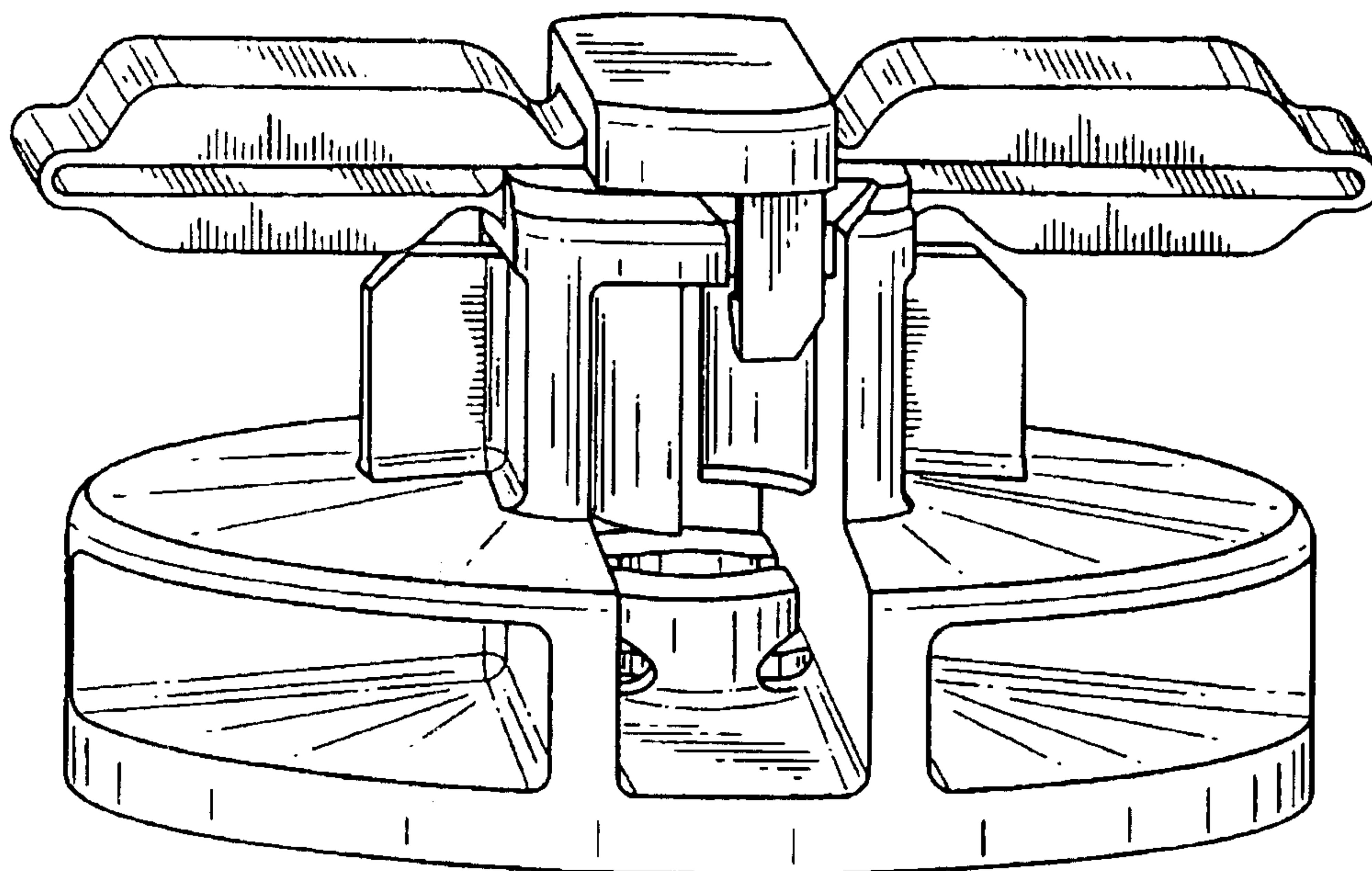


FIG. 11

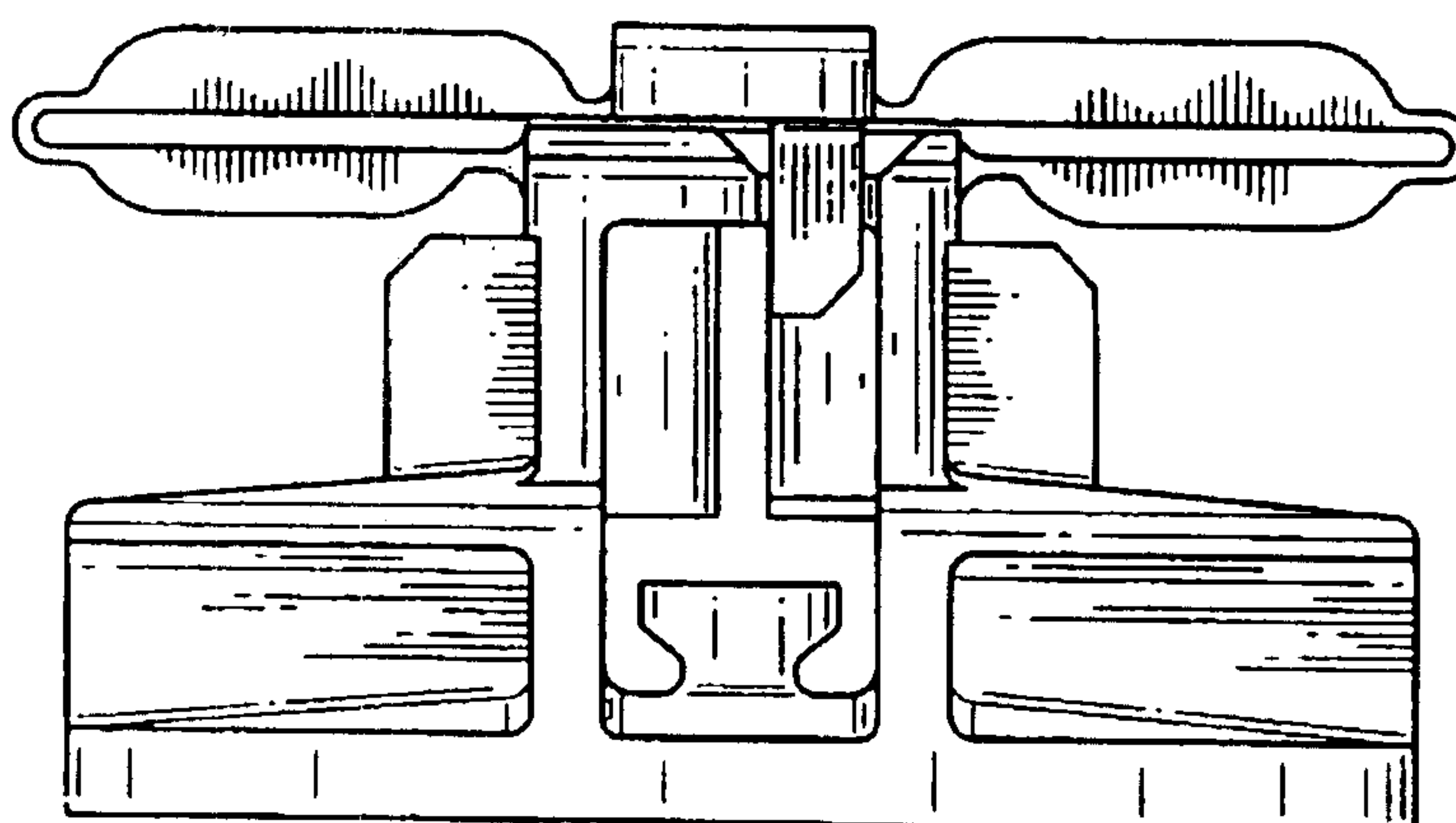


FIG. 12