



US00D531012S

(12) **United States Design Patent**  
**Shih**

(10) **Patent No.:** **US D531,012 S**

(45) **Date of Patent:** **\*\* Oct. 31, 2006**

(54) **WALL HANGER DEVICE**

D492,189 S \* 6/2004 Weremchuk et al. .... D8/371

(76) Inventor: **Sung-Feng Shih**, 5, Lane Hoping,  
Manshin Tsun, Show Shui Hsiang,  
Changhua Hsien (TW)

\* cited by examiner

*Primary Examiner*—Holly Baynham

(74) *Attorney, Agent, or Firm*—Alan D. Kamrath; Nikolai  
& Mersereau, P.A.

(\*\*) Term: **14 Years**

(57) **CLAIM**

(21) Appl. No.: **29/209,108**

The ornamental design for a wall hanger device, as shown  
and described.

(22) Filed: **Jul. 9, 2004**

(51) **LOC (8) Cl.** ..... **08-05**

**DESCRIPTION**

(52) **U.S. Cl.** ..... **D8/373**

(58) **Field of Classification Search** ..... D8/373,  
D8/354; 248/218.1, 216.1, 300, 475.1, 496-497  
See application file for complete search history.

FIG. 1 is a perspective view of a wall hanger device showing  
my design;

FIG. 2 is a front elevational view thereof;

FIG. 3 is a rear elevational view thereof;

FIG. 4 is a right side elevational view thereof;

FIG. 5 is a left side elevational view thereof;

FIG. 6 is a top plan view thereof; and,

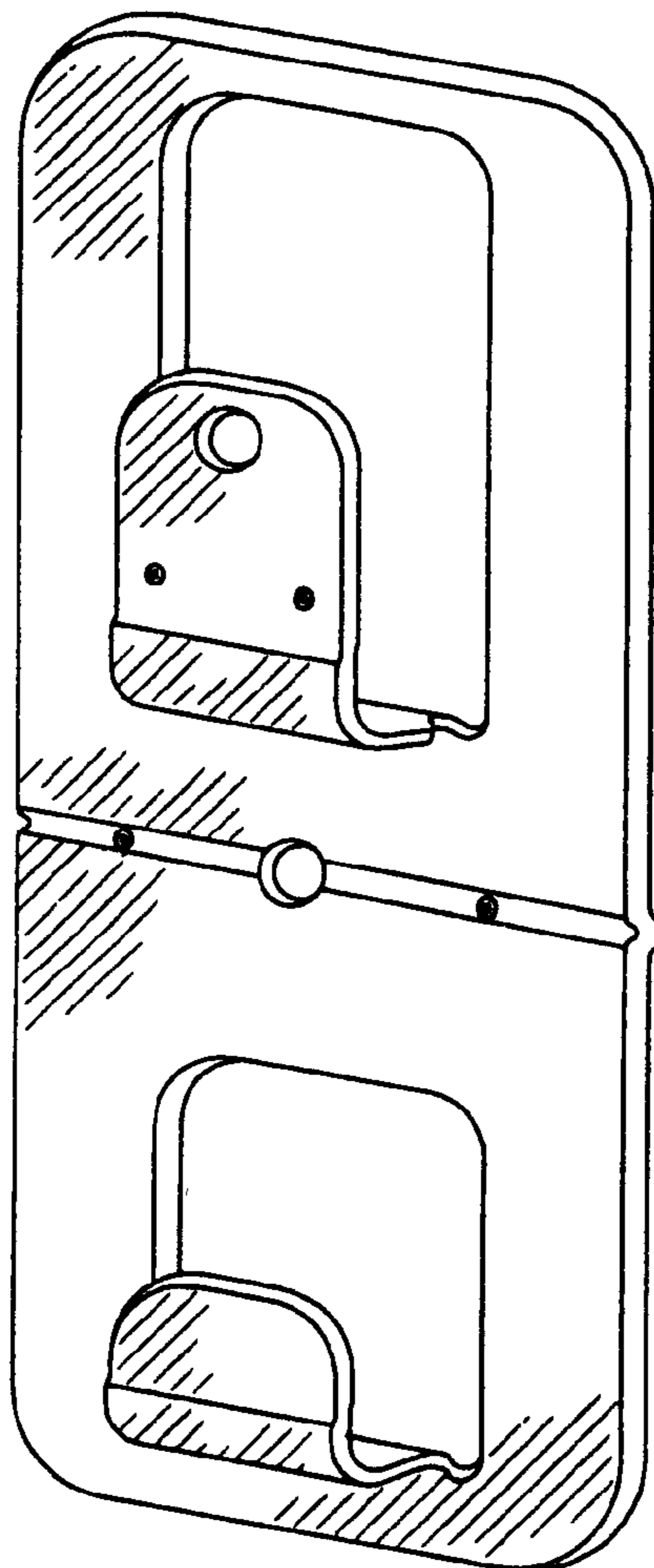
FIG. 7 is a bottom plan view thereof.

(56) **References Cited**

**U.S. PATENT DOCUMENTS**

1,865,134 A \* 6/1932 Plimpton ..... 248/200  
D467,792 S \* 12/2002 Zadak et al. .... D8/373  
D487,391 S \* 3/2004 Balaban ..... D8/354

**1 Claim, 4 Drawing Sheets**



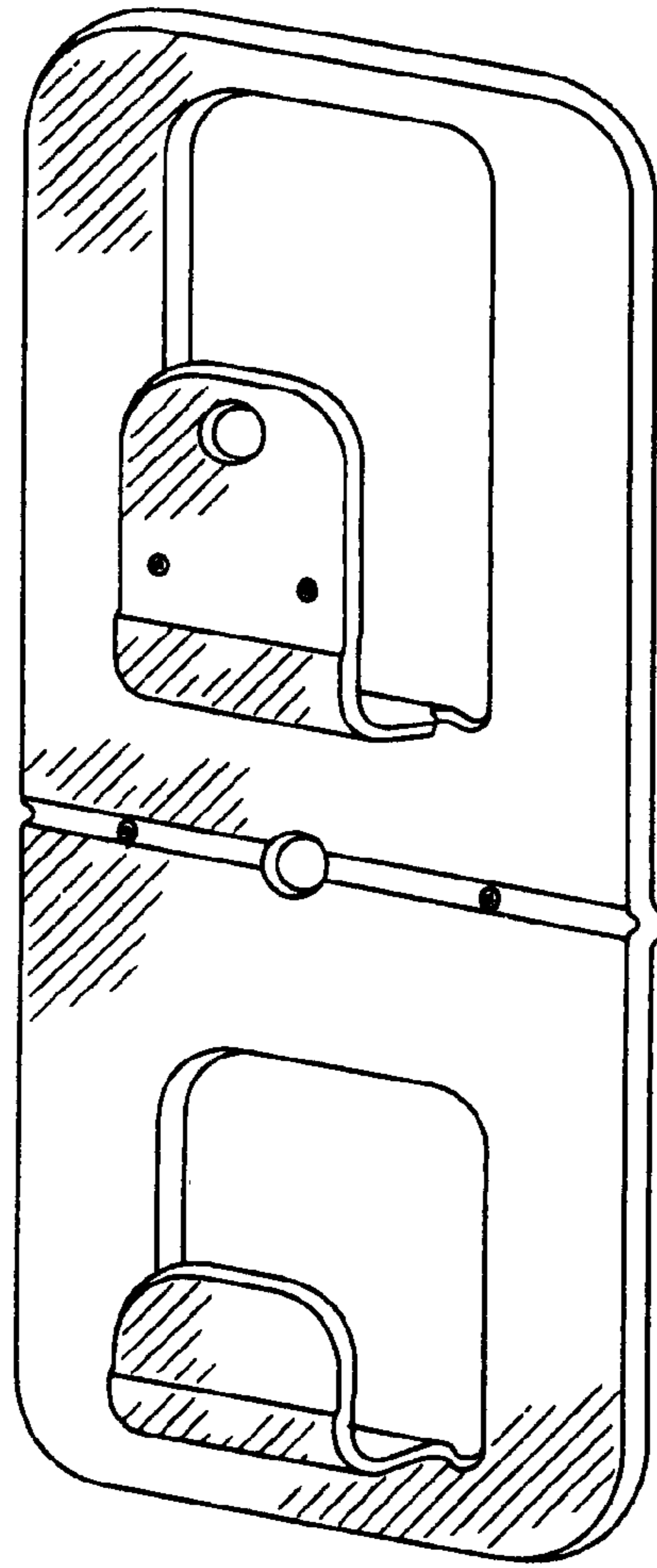


FIG. 1

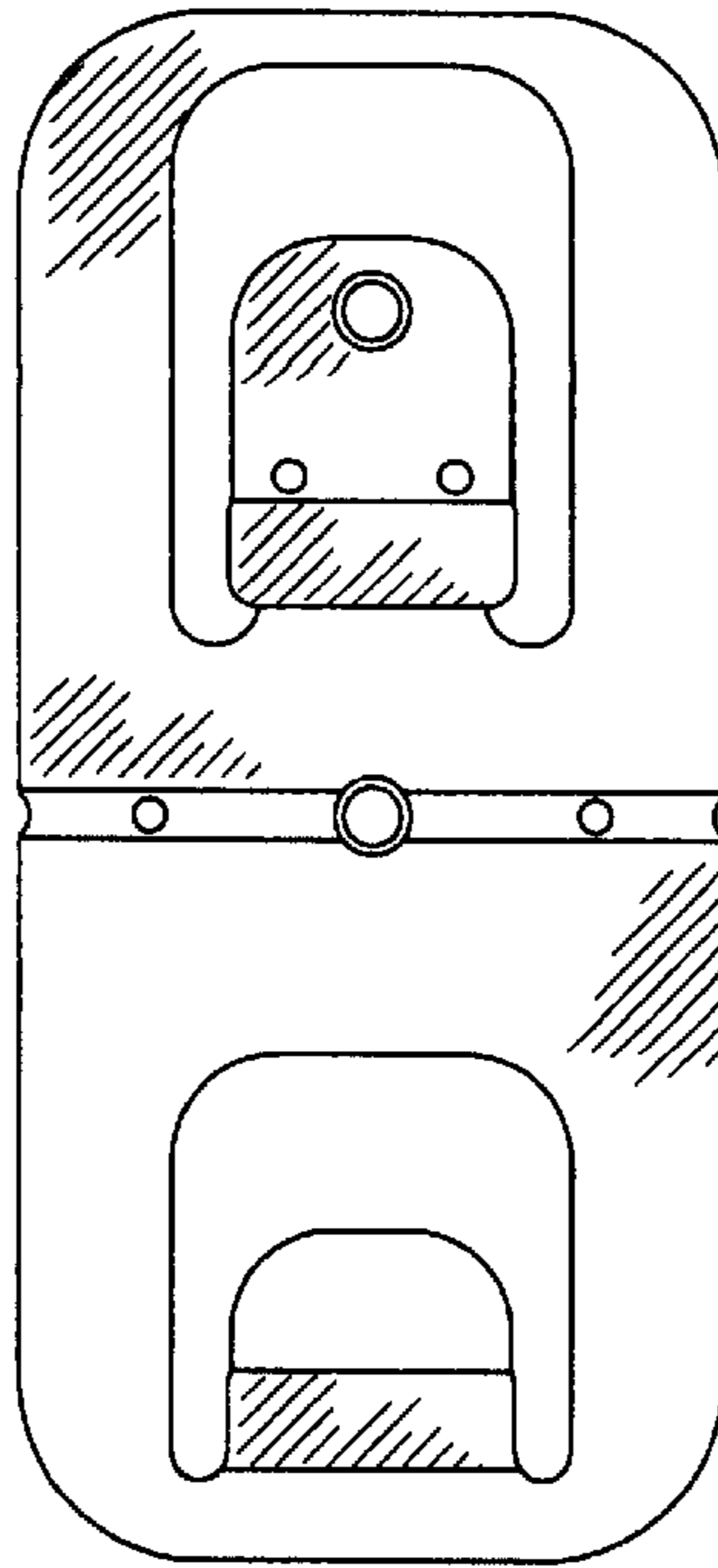


FIG. 2

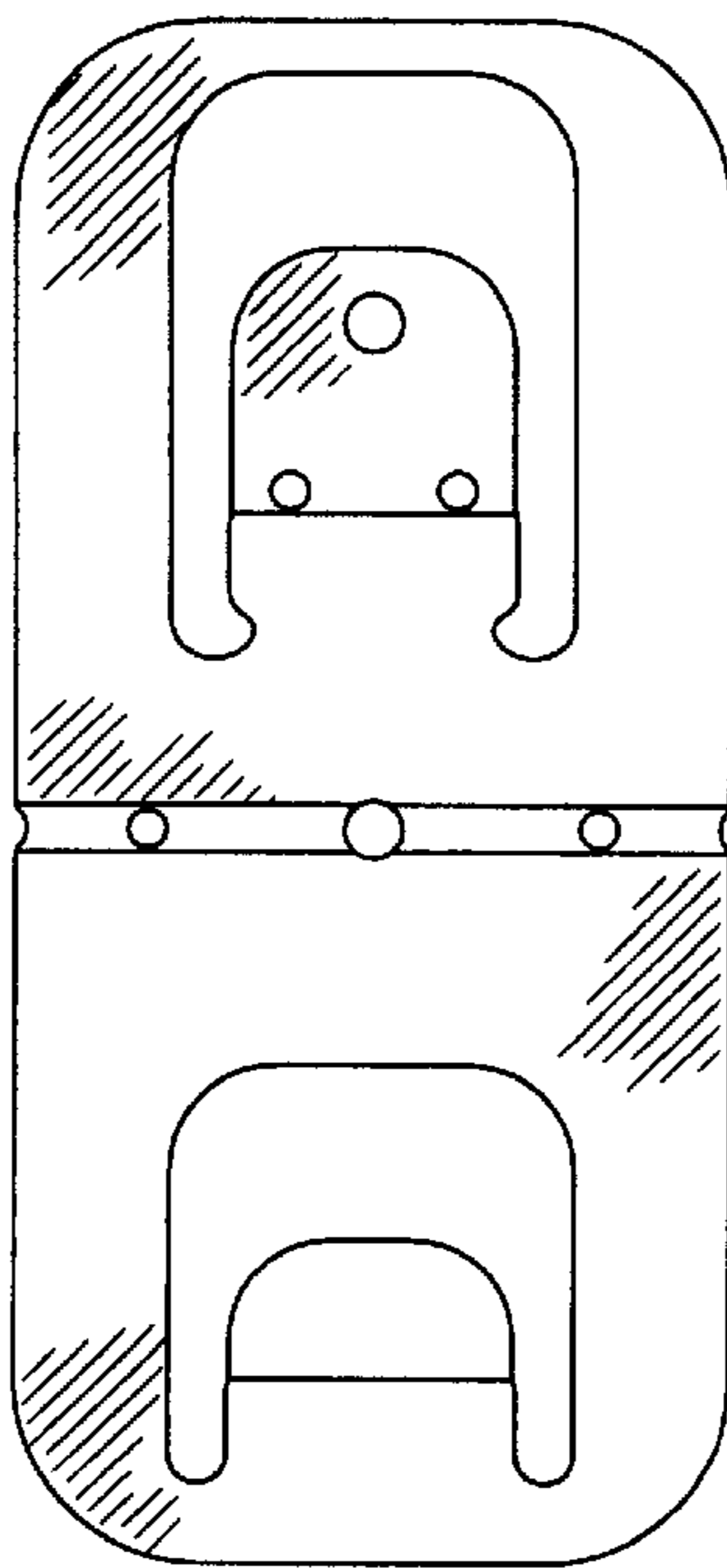


FIG. 3

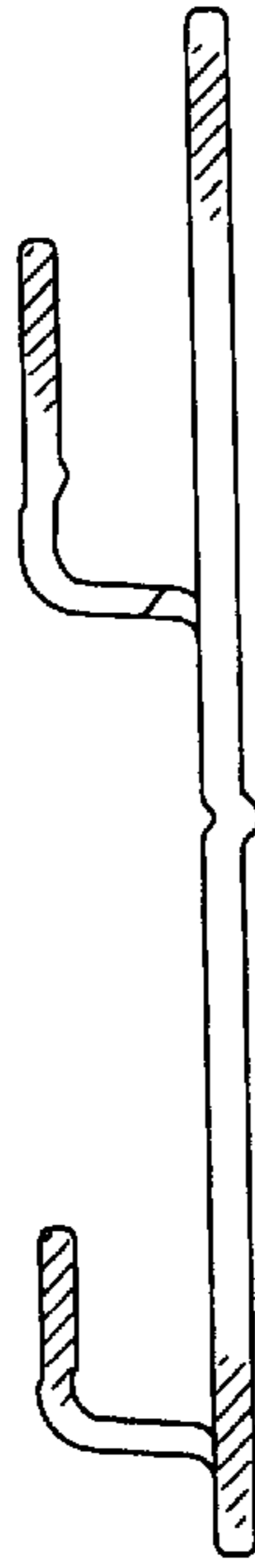


FIG. 4

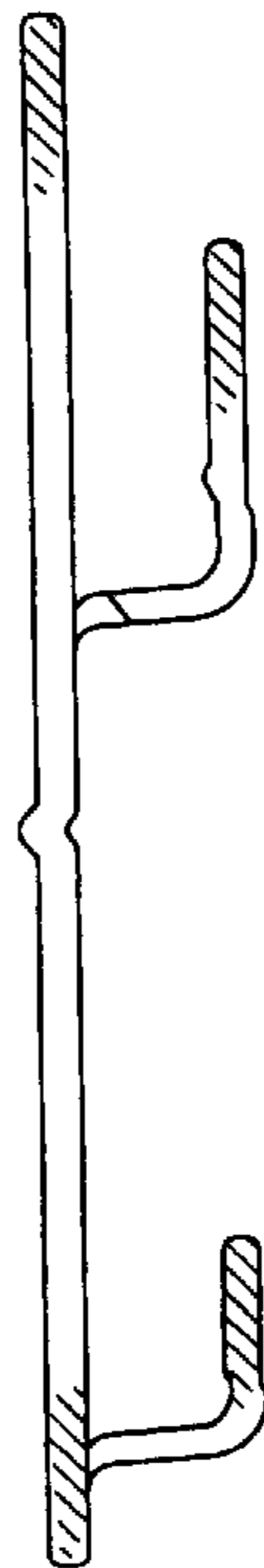


FIG. 5

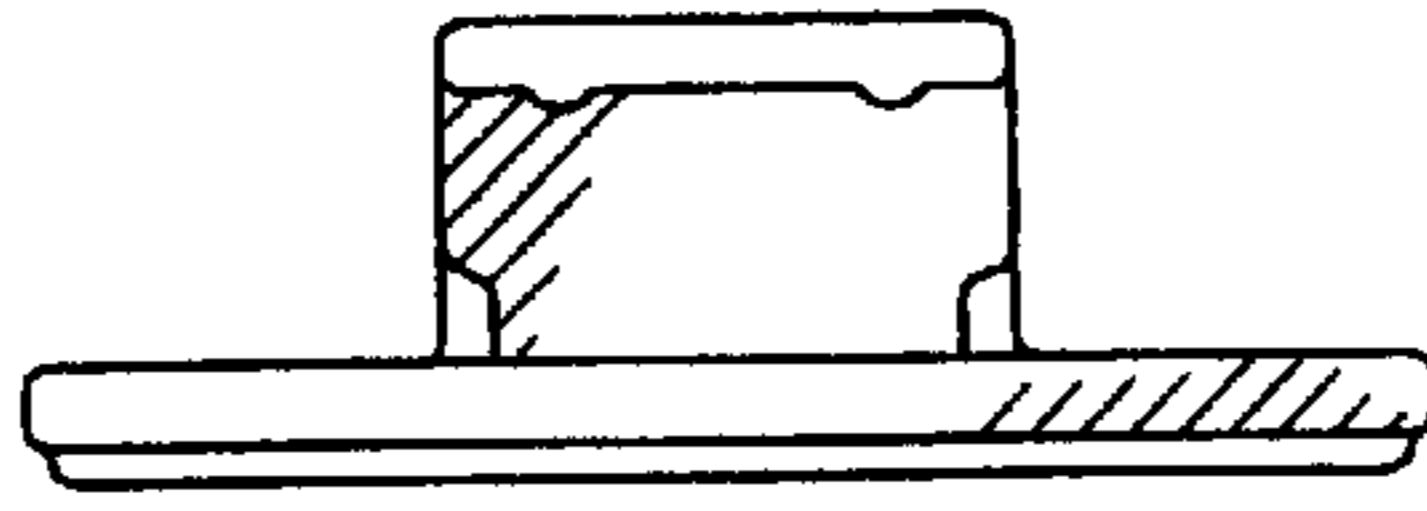


FIG. 6

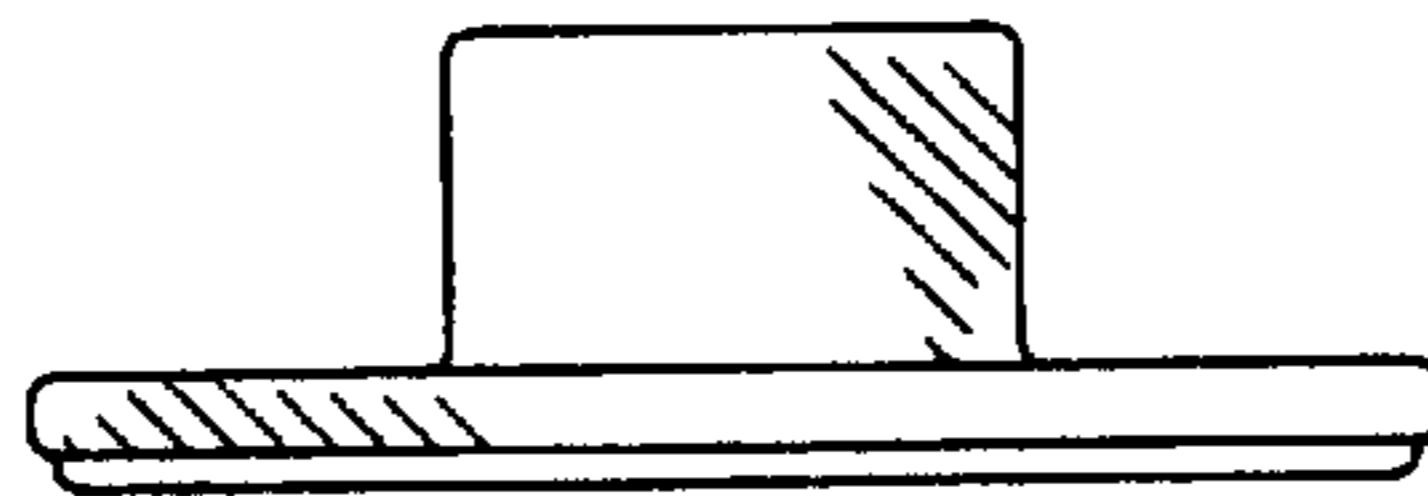


FIG. 7