



US00D531011S

(12) **United States Design Patent**
Dawson

(10) **Patent No.:** **US D531,011 S**
(45) **Date of Patent:** **** Oct. 31, 2006**

(54) **HANDLE FOR SPORTS NET WINDER**

(75) Inventor: **Peter Albert Dawson**, Robina (AU)

(73) Assignee: **Allsports Products Pty Ltd**, Robina (AU)

(**) Term: **14 Years**

(21) Appl. No.: **29/205,707**

(22) Filed: **May 19, 2004**

(30) **Foreign Application Priority Data**

Nov. 25, 2003 (AU) 4165/2003

(51) **LOC (8) Cl.** **08-05**

(52) **U.S. Cl.** **D8/359**

(58) **Field of Classification Search** D8/358-359;
473/491

See application file for complete search history.

(56) **References Cited**

U.S. PATENT DOCUMENTS

1,348,476	A	*	8/1920	Cahn et al.	369/75.11
2,150,033	A	*	3/1939	Hillson	473/491
3,936,049	A	*	2/1976	Neumann	473/491
4,057,218	A	*	11/1977	Wallace	254/369
D307,239	S	*	4/1990	Topping	D8/359
D338,391	S	*	8/1993	Price	D8/359
D365,013	S	*	12/1995	Fujino	D8/359
D390,094	S	*	2/1998	Pamplin	D8/359
D423,332	S	*	4/2000	Salter	D8/359

6,491,285 B1 * 12/2002 Tomita 254/266

* cited by examiner

Primary Examiner—Holly Baynham

(74) *Attorney, Agent, or Firm*—William H. Eilberg

(57) **CLAIM**

The ornamental design for a handle for sports net winder, as shown and described.

DESCRIPTION

FIG. 1 is a top plan view of a handle, in an extended configuration, showing my new design;

FIG. 2 is an end elevational view thereof from one end;

FIG. 3 is a side elevational view thereof from one side;

FIG. 4 is a bottom plan view thereof;

FIG. 5 is an end elevational view thereof from the other end;

FIG. 6 is a side elevational view thereof from the other side;

FIG. 7 is a top perspective view thereof;

FIG. 8 is a top plan view thereof, in a retracted configuration;

FIG. 9 is an end elevational view thereof from one end

FIG. 10 is a side elevational view thereof from one side;

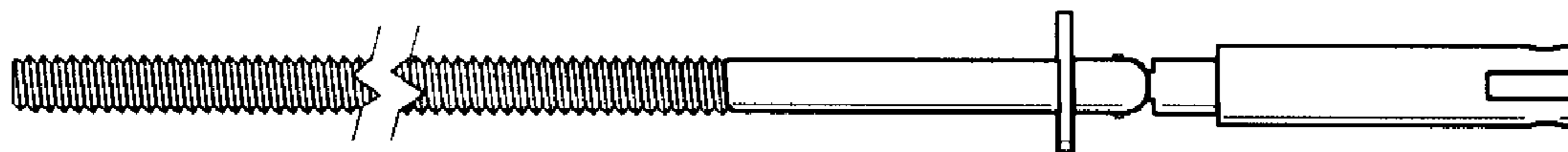
FIG. 11 is a bottom plan thereof;

FIG. 12 is an end elevational view thereof from the other end;

FIG. 13 is a side elevational view thereof from the other side; and,

FIG. 14 is a top perspective view thereof.

1 Claim, 2 Drawing Sheets



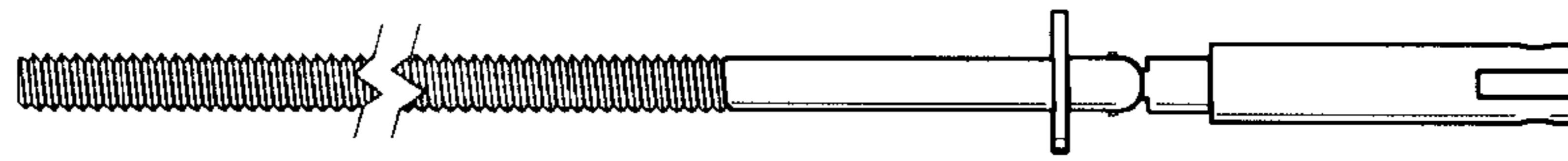


FIG. 1

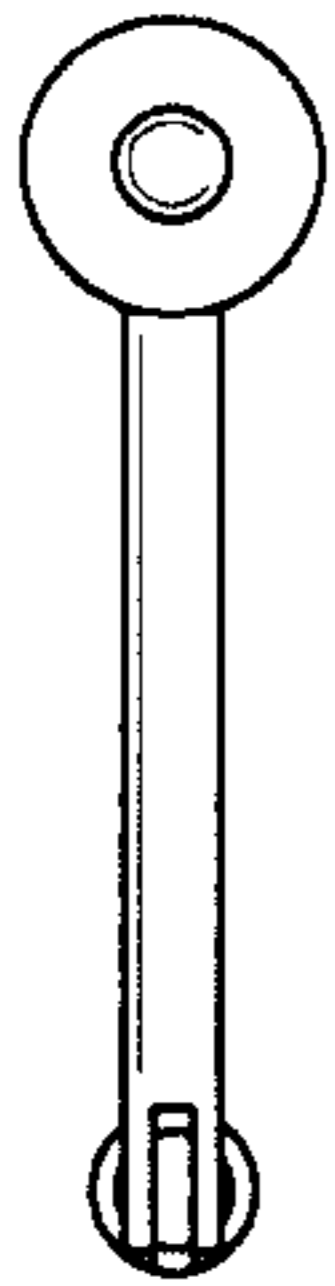


FIG. 2

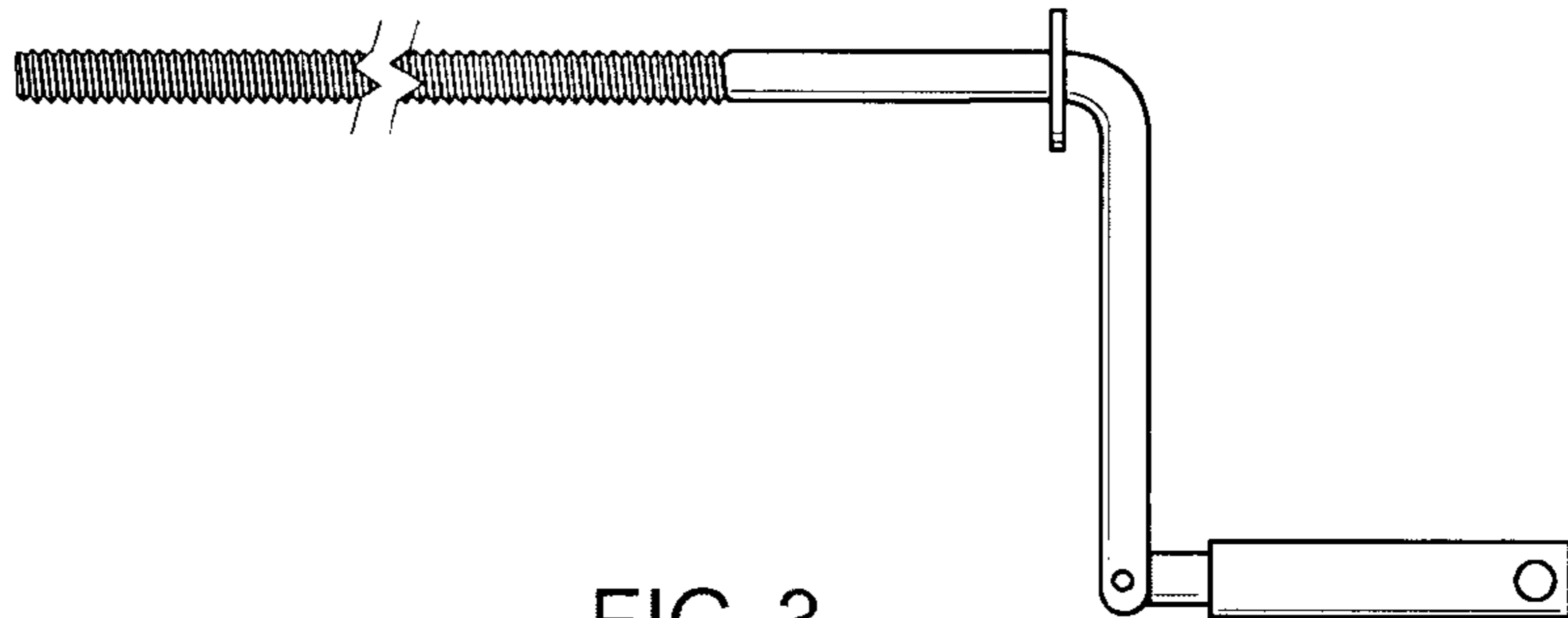


FIG. 3

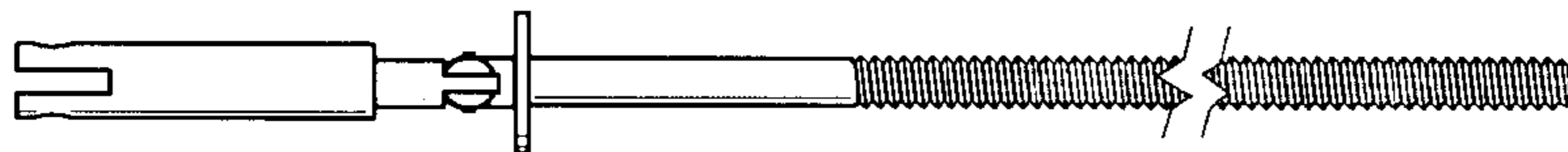


FIG. 4

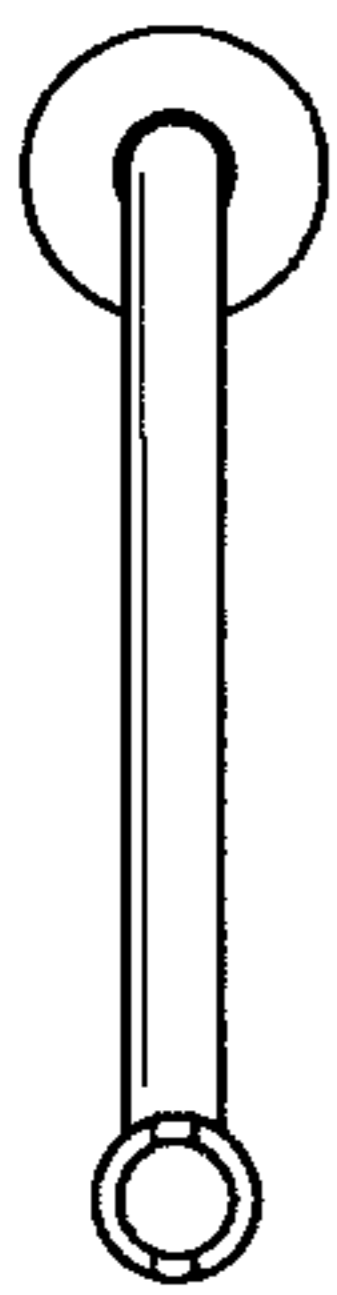


FIG. 5

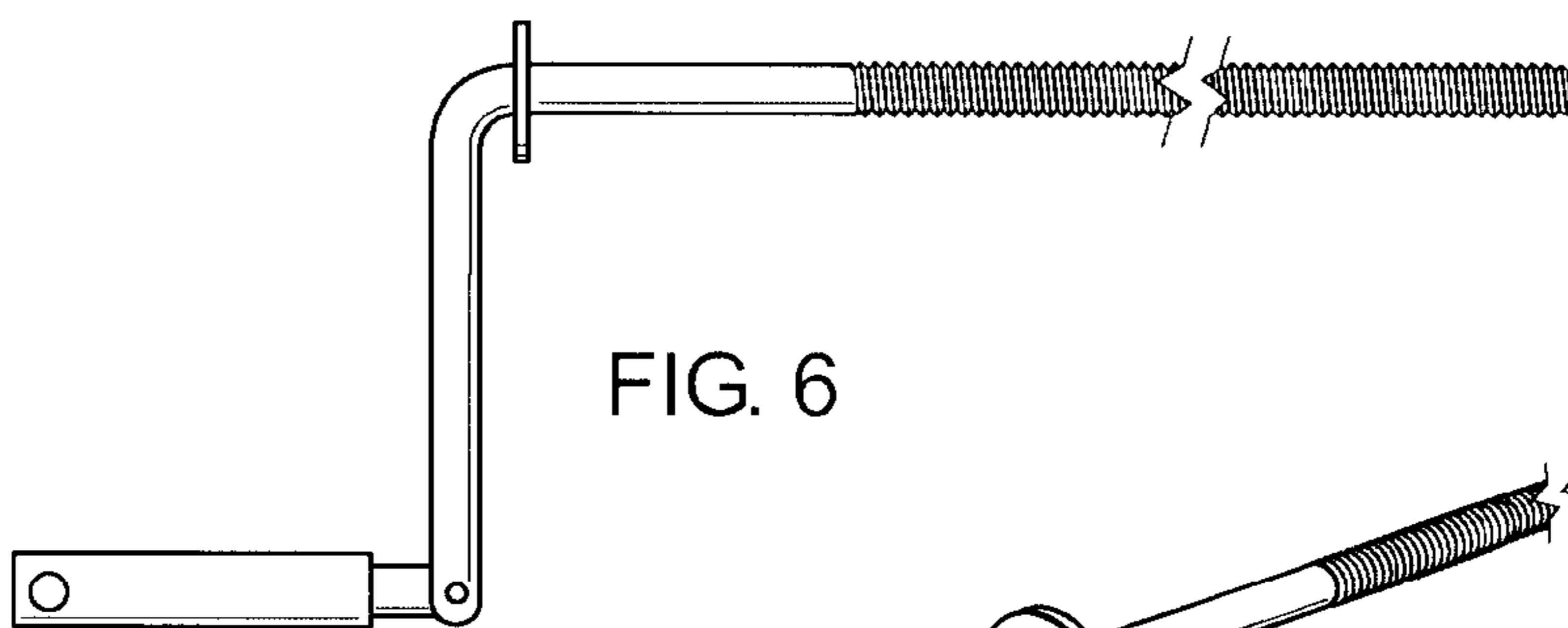


FIG. 6

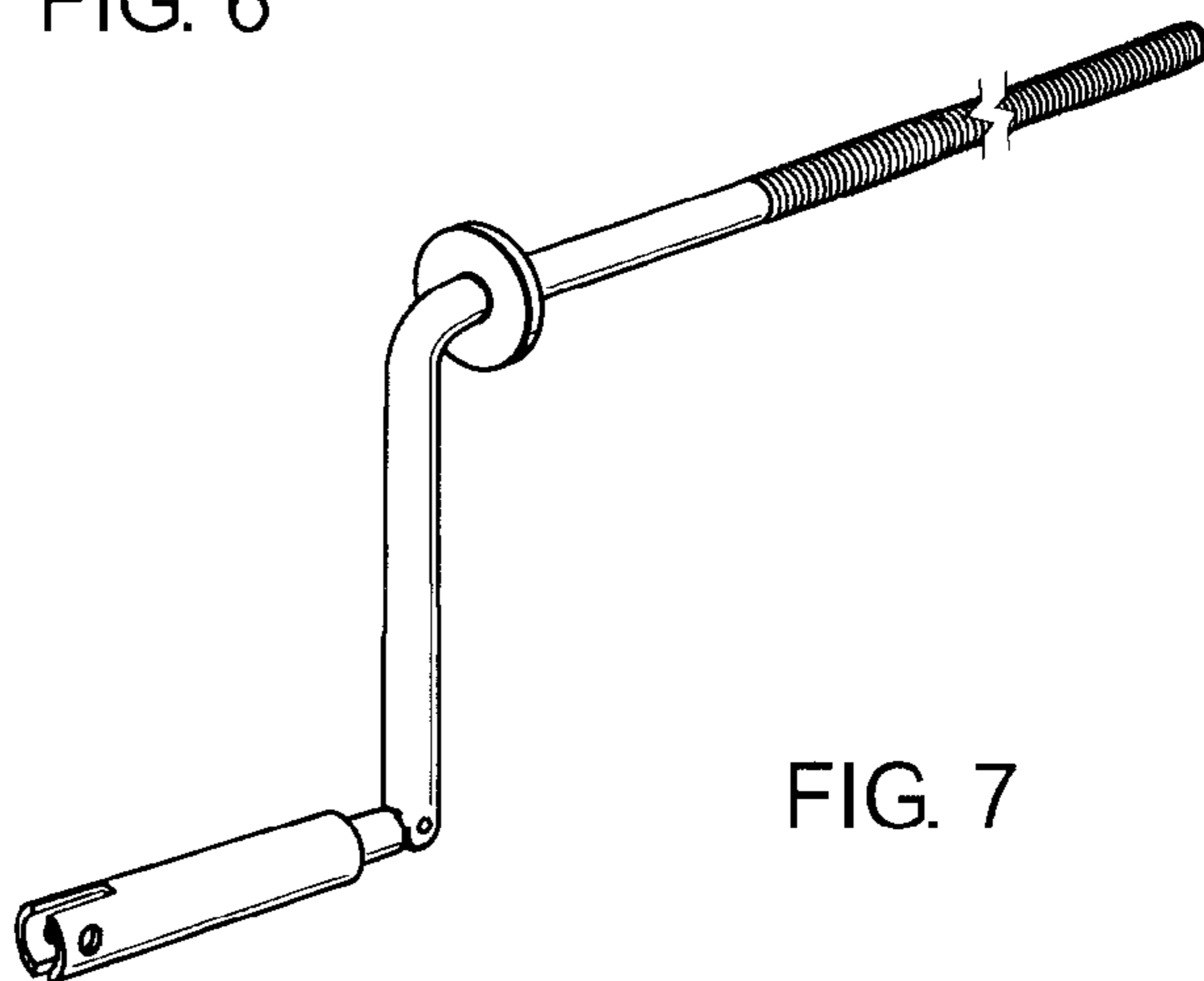


FIG. 7



FIG. 8

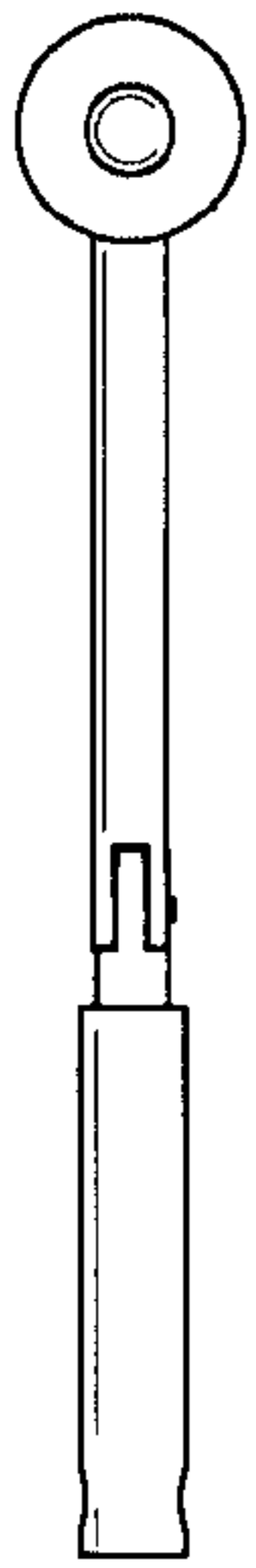


FIG. 9

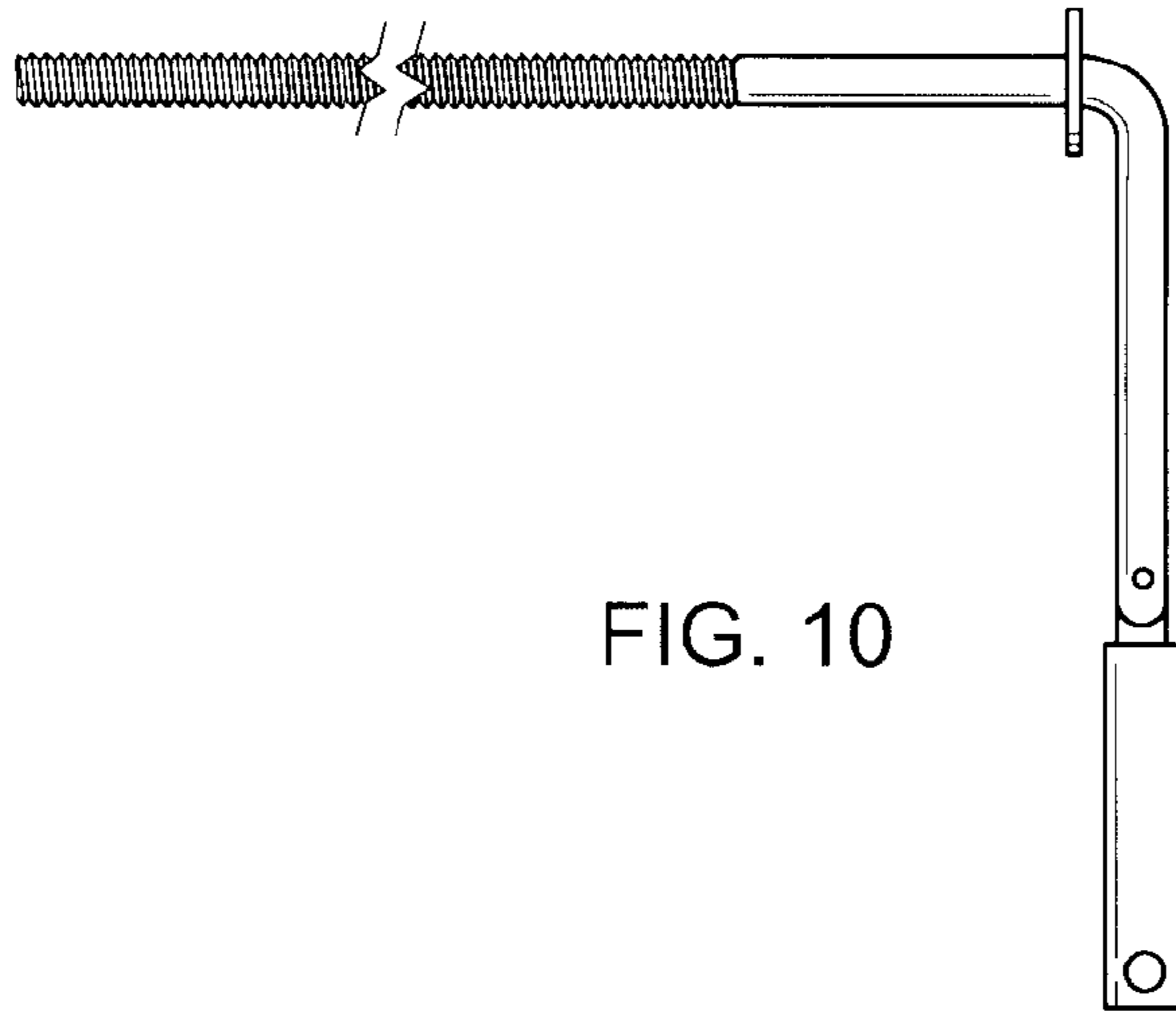


FIG. 10

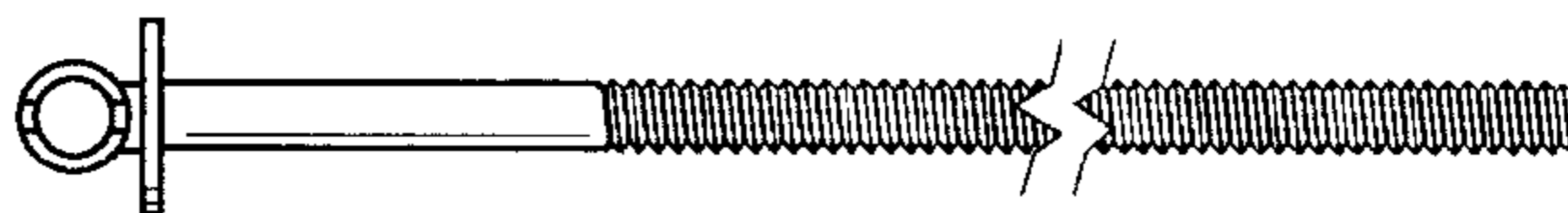


FIG. 11

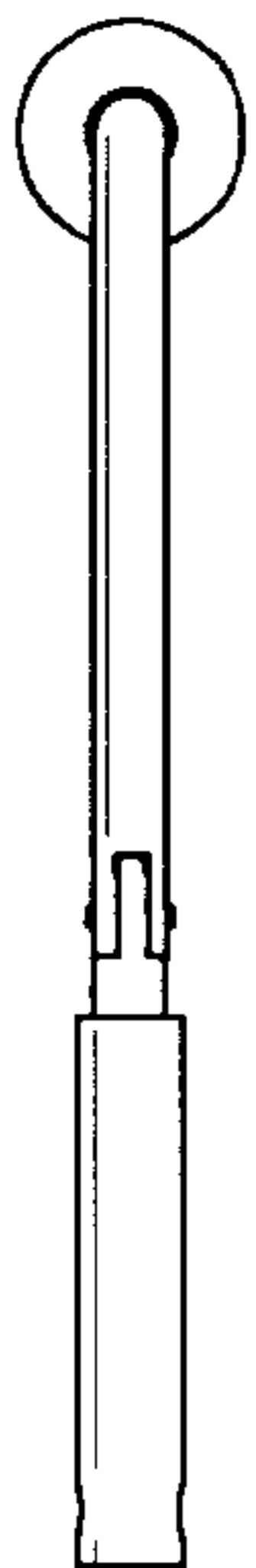


FIG. 12

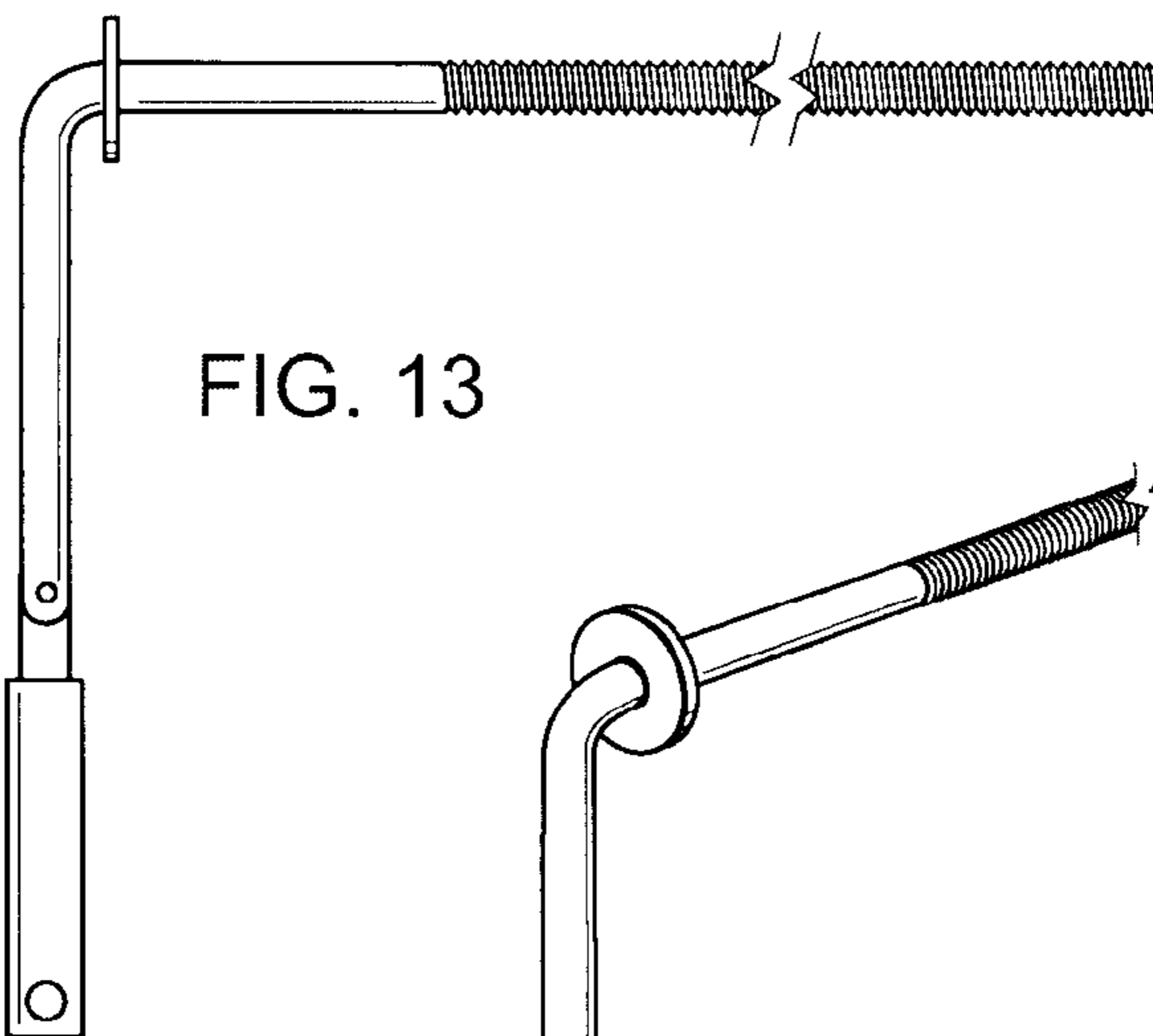


FIG. 13

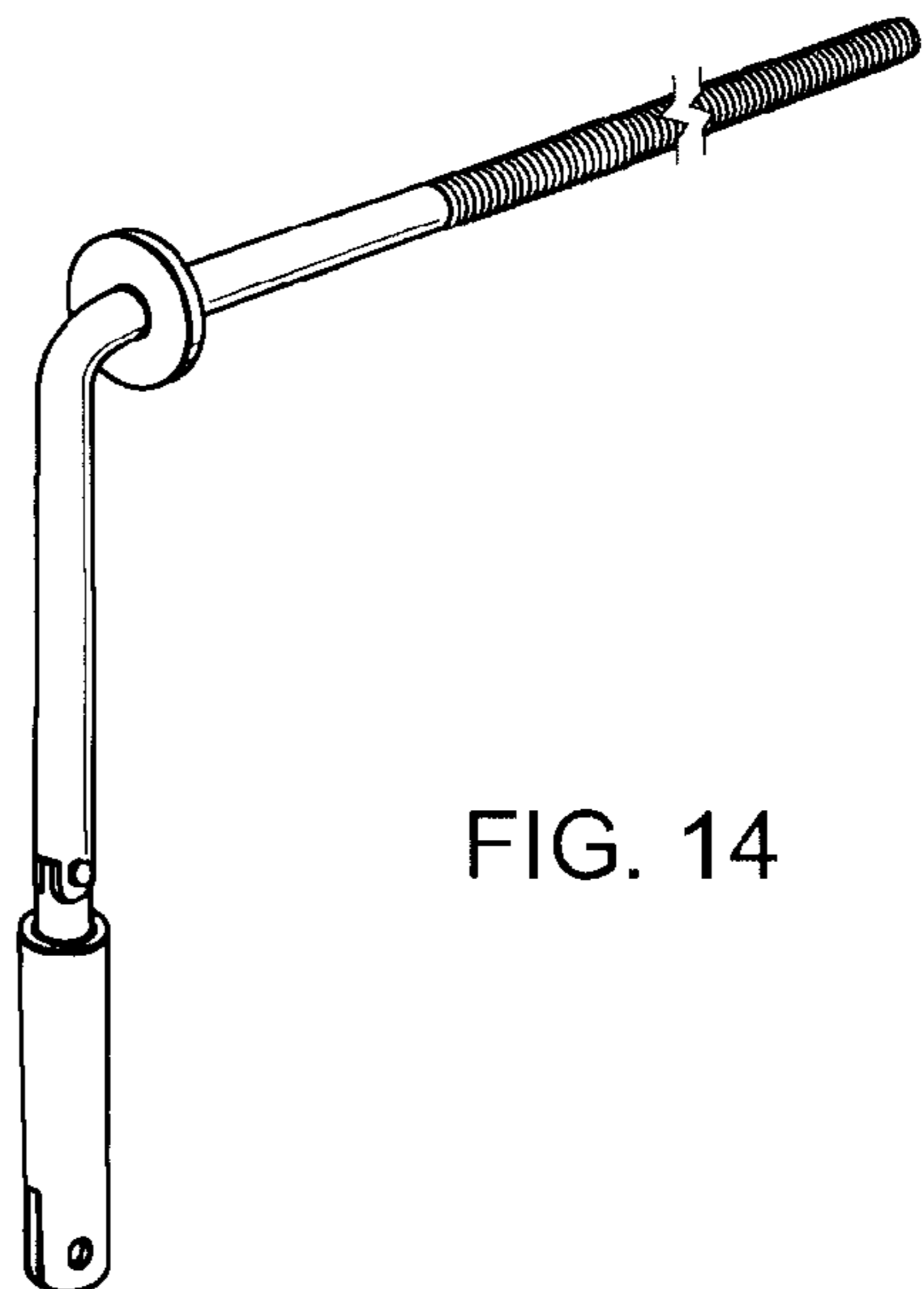


FIG. 14