



US00D531005S

(12) **United States Design Patent**
Chang

(10) **Patent No.:** **US D531,005 S**

(45) **Date of Patent:** **** Oct. 31, 2006**

(54) **OPENER HANDLE**

(76) Inventor: **Ming-Chi Chang**, 235 Chung-Ho Box
8-24, Taipei (TW)

(**) Term: **14 Years**

(21) Appl. No.: **29/243,362**

(22) Filed: **Nov. 25, 2005**

(51) **LOC (8) Cl.** **08-04**

(52) **U.S. Cl.** **D8/107; D8/83**

(58) **Field of Classification Search** D8/82-87,
D8/107, 300; D7/394-395, 649; 81/177.1-177.7,
81/436, 439-440, 489, 180.1; 16/110.1, 421,
16/430-431

See application file for complete search history.

(56) **References Cited**

U.S. PATENT DOCUMENTS

2,890,809	A	*	6/1959	Poley	217/12	R
5,570,616	A	*	11/1996	Thompson et al.	81/63.1	
D416,776	S	*	11/1999	Liu	D8/83	
D441,269	S	*	5/2001	Tsai	D8/83	
D447,980	S	*	9/2001	Kawamura	D11/216	
D465,987	S	*	11/2002	Lin	D8/107	
D479,112	S	*	9/2003	Wu	D8/83	

6,629,338	B1	*	10/2003	Dierolf et al.	16/430	
D481,612	S	*	11/2003	Tsai	D8/107	
D486,717	S	*	2/2004	Chen	D8/107	
6,701,809	B1	*	3/2004	Huang	81/125	
D494,038	S	*	8/2004	Shih	D8/107	
D494,443	S	*	8/2004	Saunders	D8/107	

* cited by examiner

Primary Examiner—Pamela J. Burgess

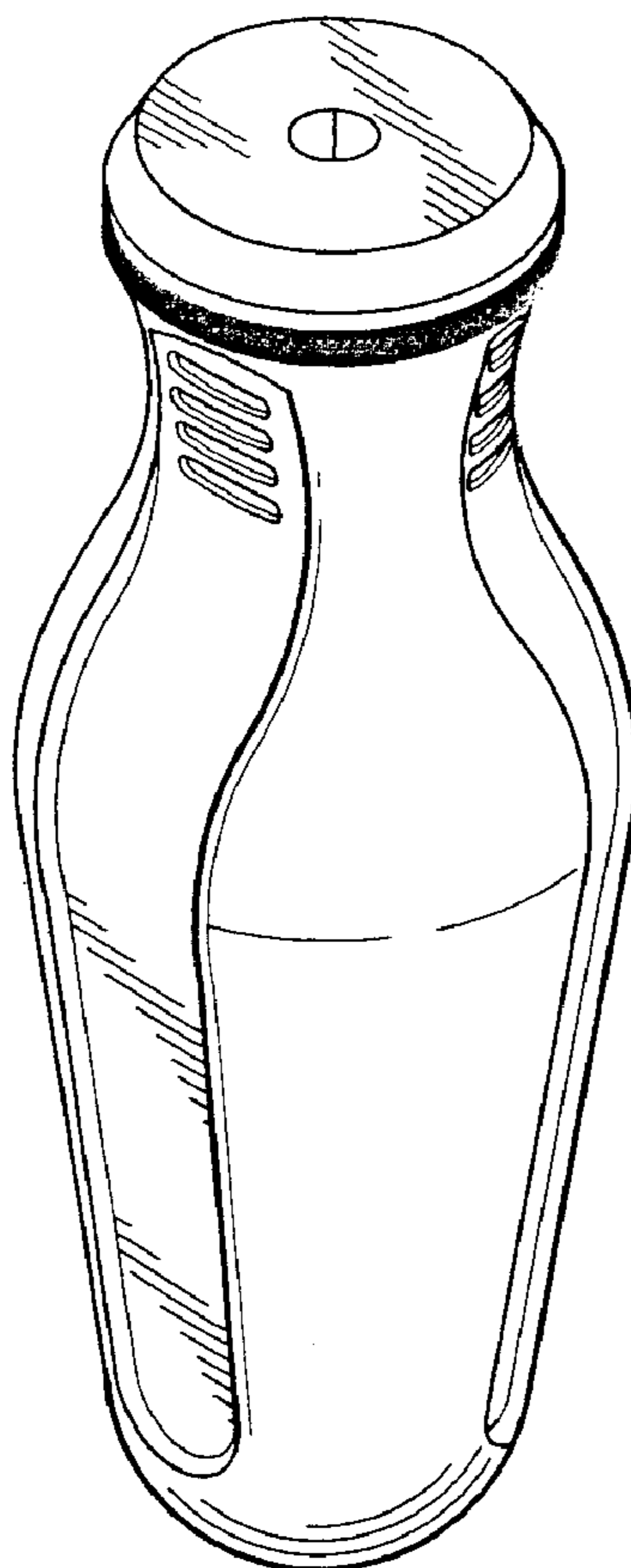
(57) **CLAIM**

The ornamental design for a opener handle, as shown and described.

DESCRIPTION

FIG. 1 is a perspective view of a opener handle showing my new design;
 FIG. 2 is a front elevational view thereof;
 FIG. 3 is a right side view thereof;
 FIG. 4 is a left side view thereof;
 FIG. 5 is a rear elevational view thereof;
 FIG. 6 is a bottom plan view thereof.
 FIG. 7 is a top plan view thereof; and,
 FIG. 8 shows the application of the present invention, where those indicated by dashed lines are not claimed in the present invention.

1 Claim, 5 Drawing Sheets



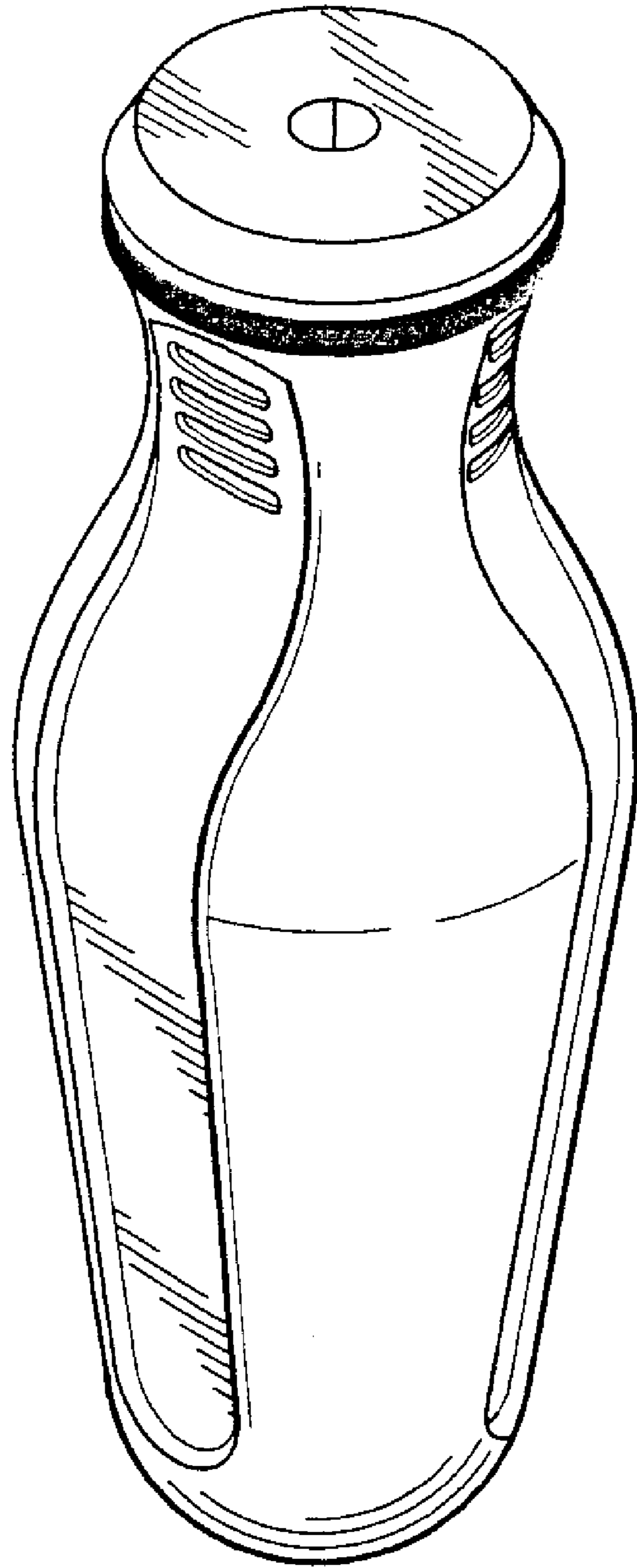


FIG. 1

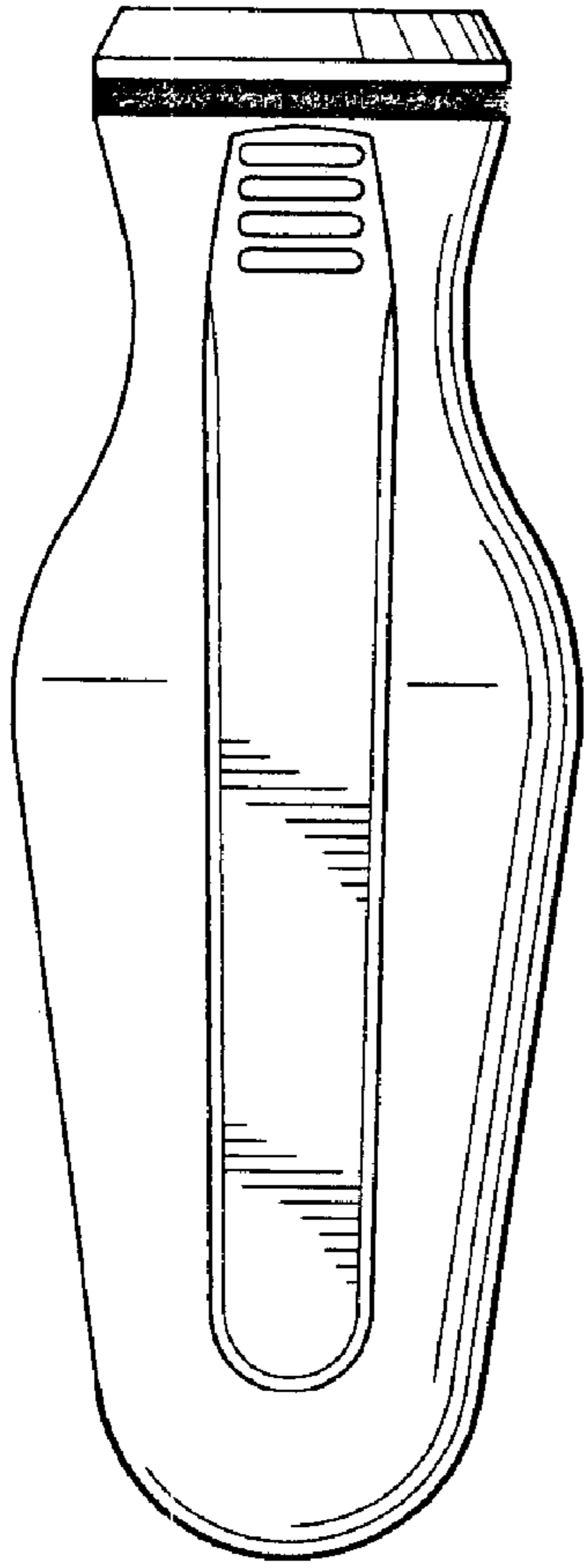


FIG. 2

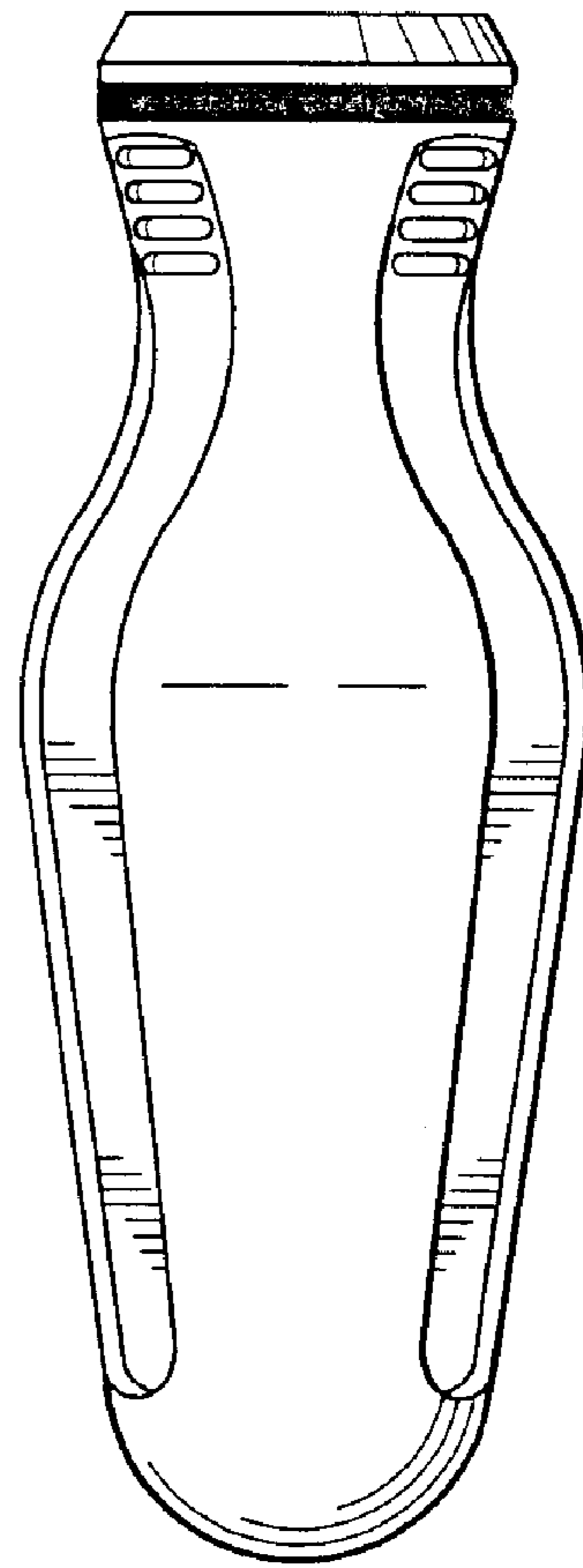


FIG. 3

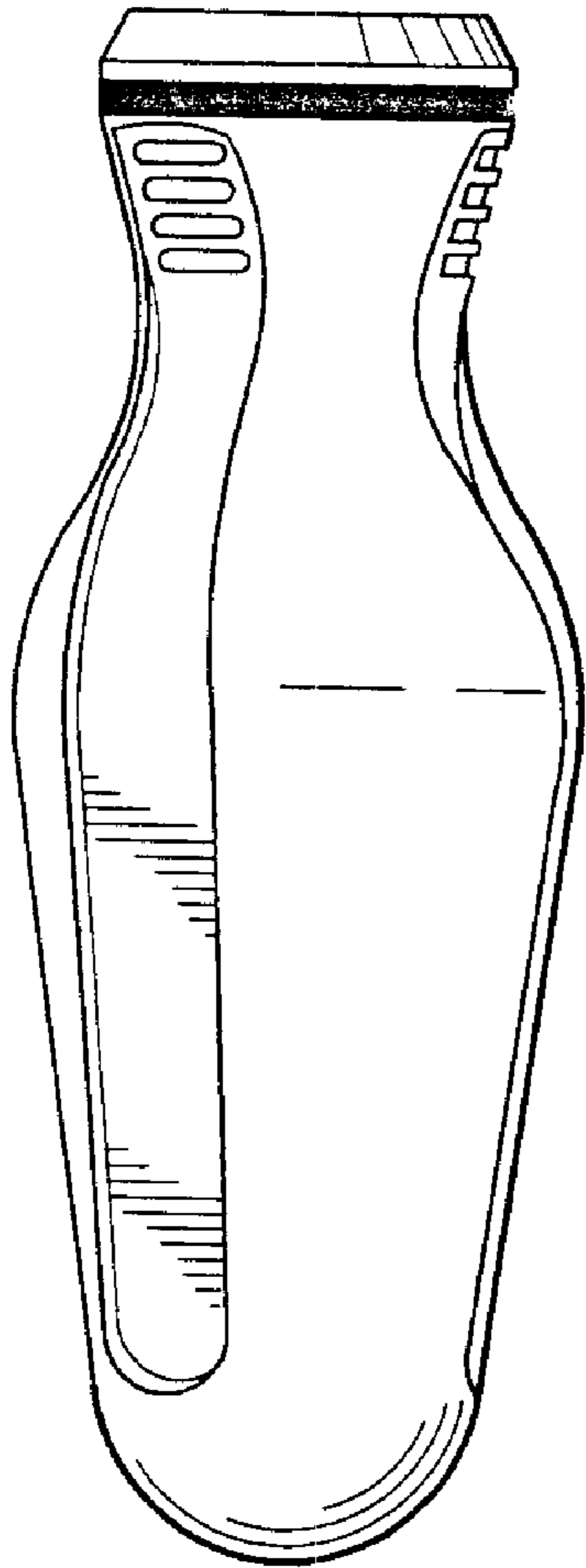


FIG. 4

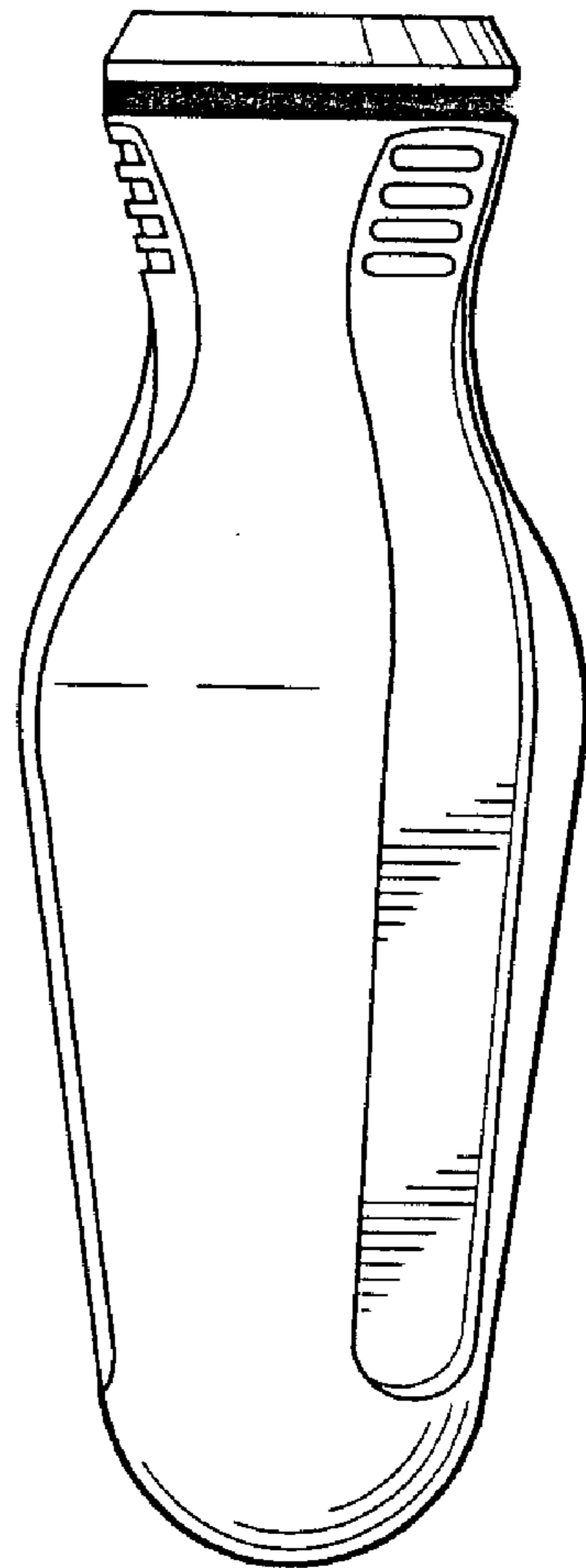


FIG. 5

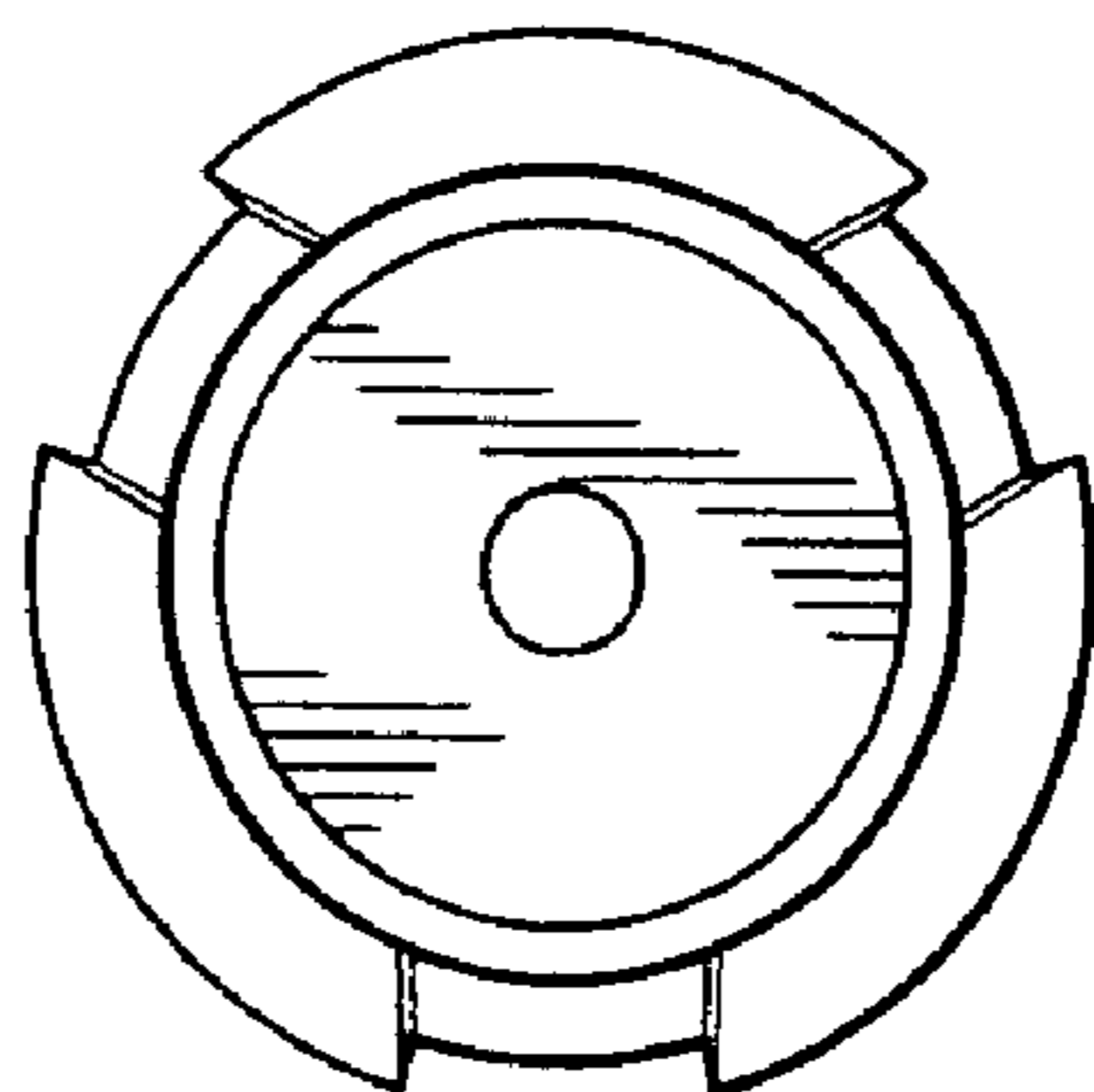


FIG. 6

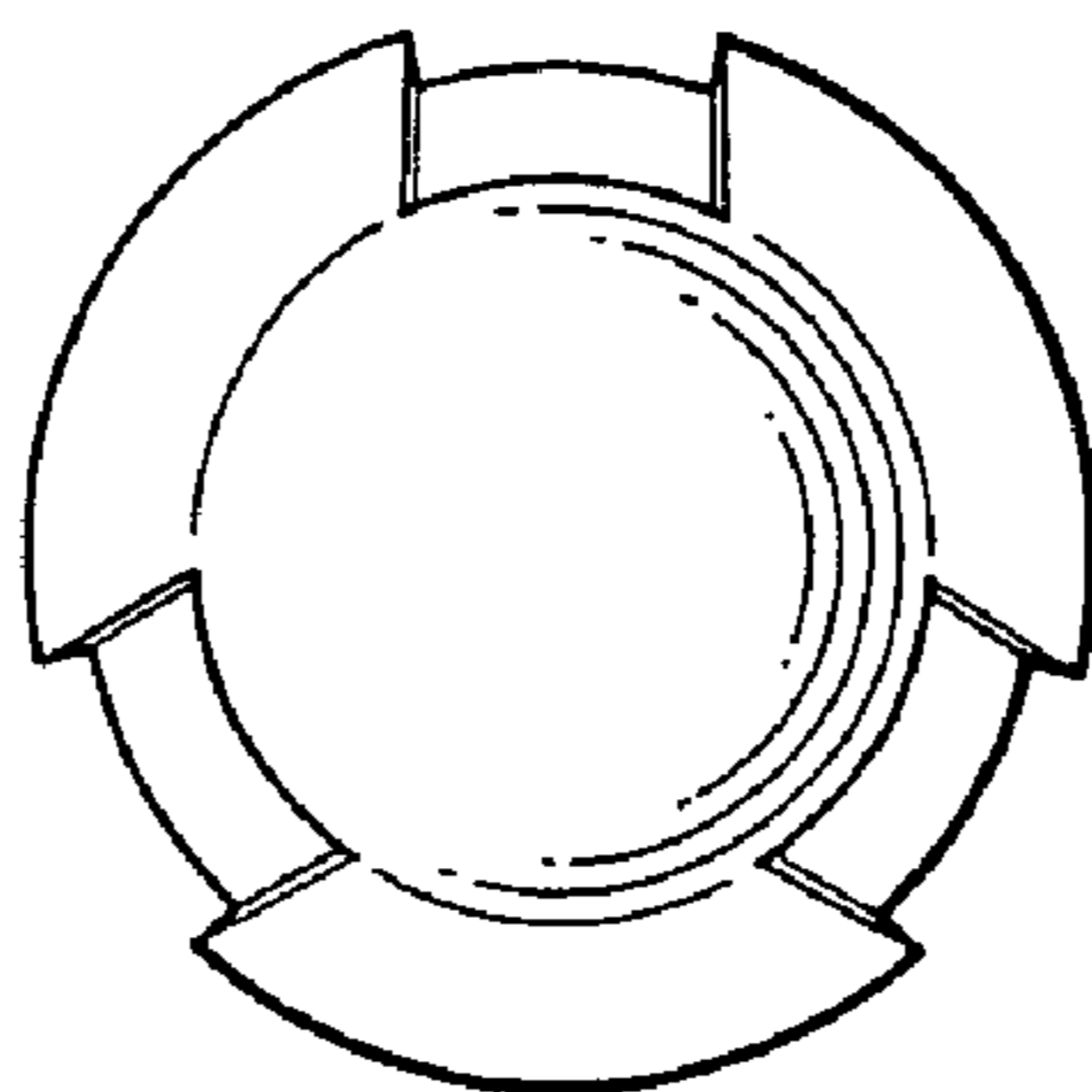


FIG. 7

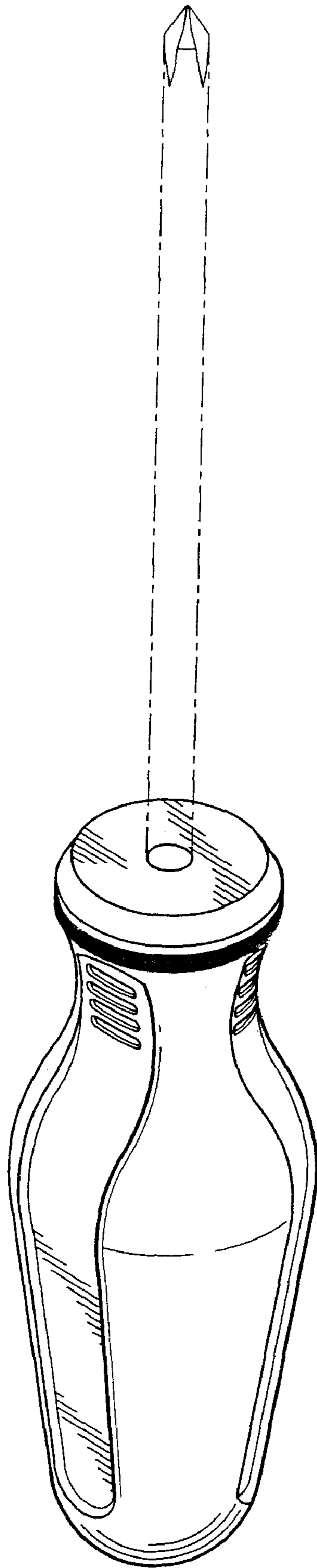


FIG. 8