



US00D530997S

(12) **United States Design Patent**  
**Hsieh**

(10) **Patent No.:** **US D530,997 S**

(45) **Date of Patent:** **\*\* Oct. 31, 2006**

(54) **HAND PULLER**

(76) **Inventor:** **Ching-Fong Hsieh**, P.O. Box 697,  
Fongyuan City, Taichung County (TW),  
420

(\*\*) **Term:** **14 Years**

(21) **Appl. No.:** **29/228,820**

(22) **Filed:** **Apr. 29, 2005**

(51) **LOC (8) Cl.** ..... **08-05**

(52) **U.S. Cl.** ..... **D8/44; D8/51**

(58) **Field of Classification Search** ..... D8/14,  
D8/44, 51; 29/278; 254/243, 218, 221, 237;  
74/551.9

See application file for complete search history.

(56) **References Cited**

**U.S. PATENT DOCUMENTS**

4,199,134 A \* 4/1980 Kerber et al. .... 254/369

4,235,420 A \* 11/1980 Ross et al. .... 254/218  
6,076,805 A \* 6/2000 Messersmith ..... 254/218  
6,908,073 B1 \* 6/2005 Hsien ..... 254/218  
2004/0169170 A1 \* 9/2004 Hernandez, Jr. .... 254/243

\* cited by examiner

*Primary Examiner*—Philip S. Hyder

(57) **CLAIM**

The ornamental design for a hand puller, as shown.

**DESCRIPTION**

FIG. 1 is a perspective view of a hand puller showing my new design;

FIG. 2 is a right side elevational view thereof;

FIG. 3 is a top plan view thereof;

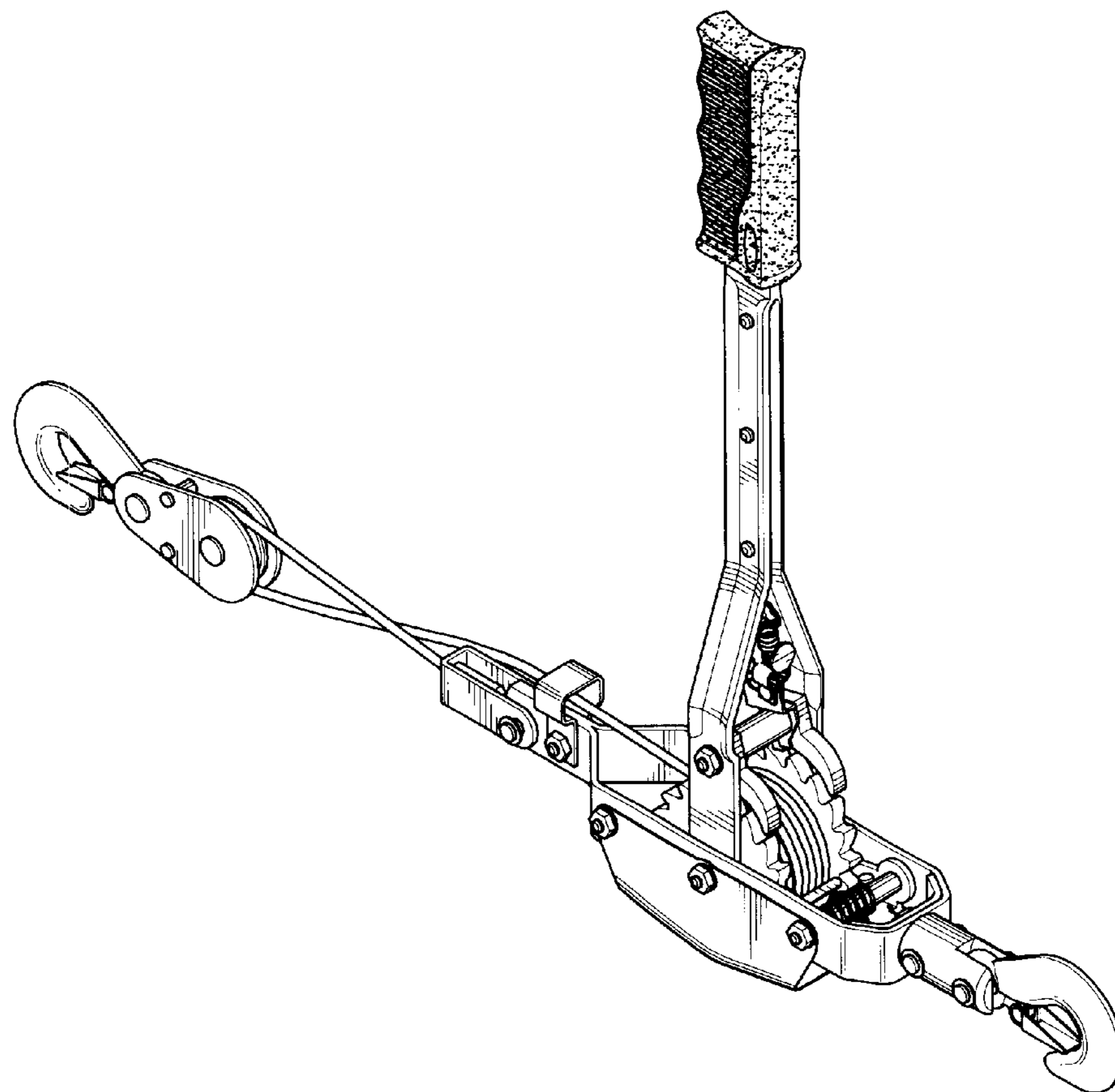
FIG. 4 is a front elevational view thereof;

FIG. 5 is a bottom plan view thereof;

FIG. 6 is a left side elevational view thereof; and,

FIG. 7 is a rear elevational view thereof.

**1 Claim, 4 Drawing Sheets**



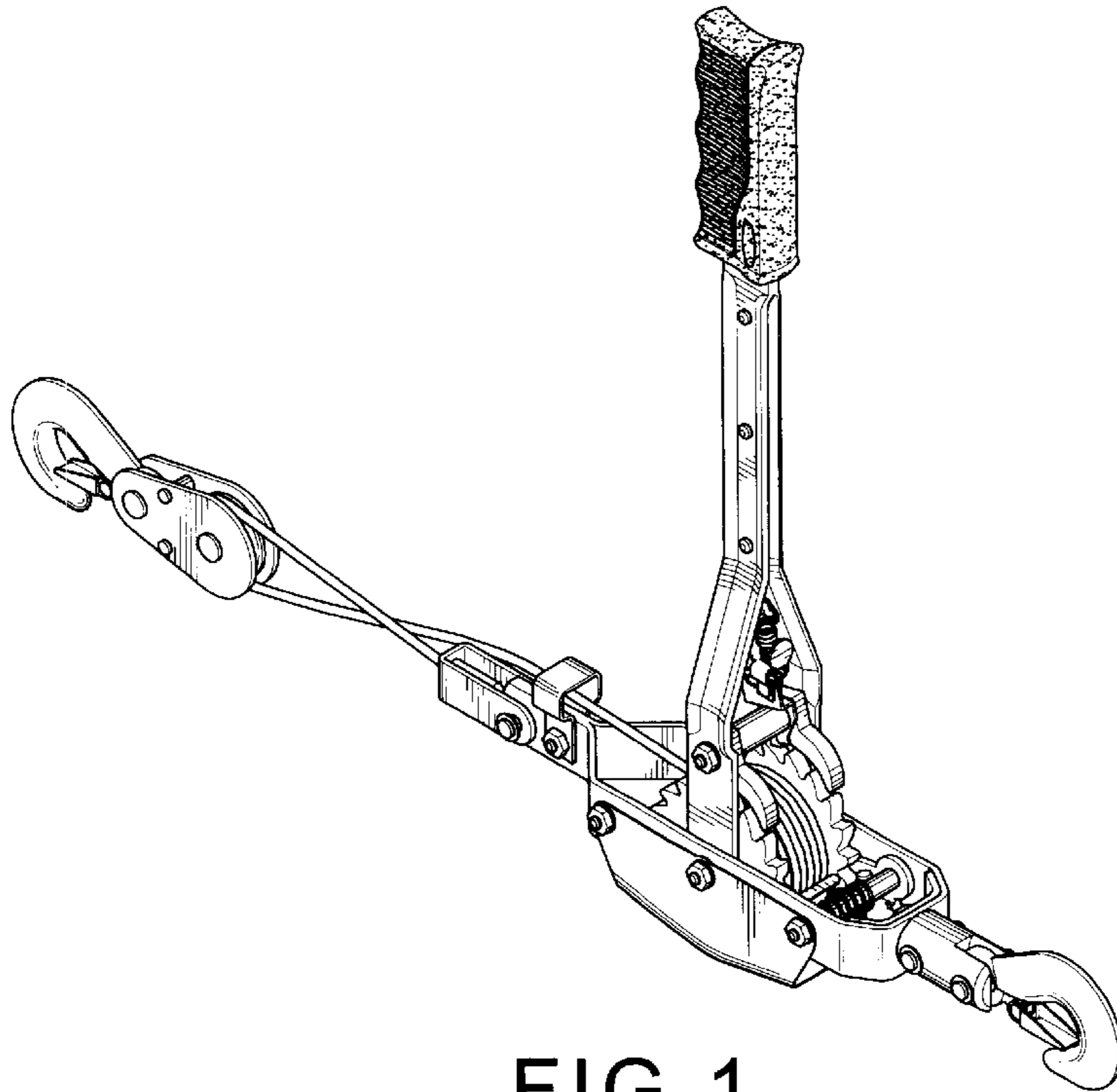


FIG. 1

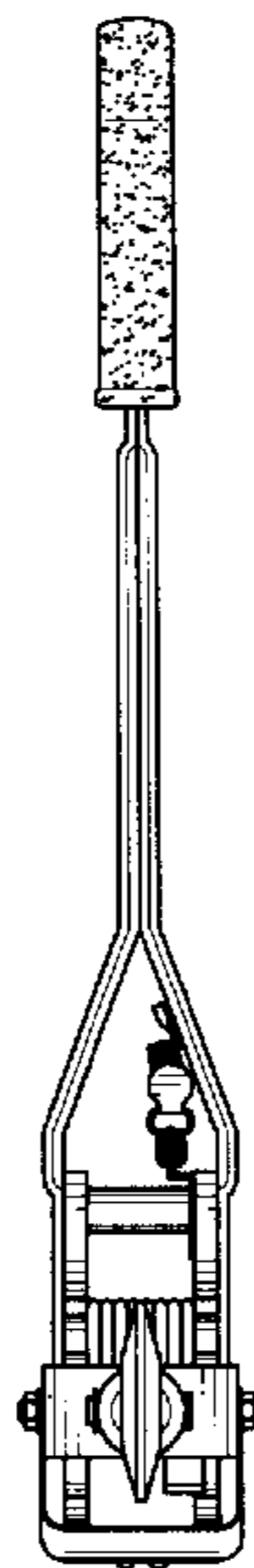


FIG. 2

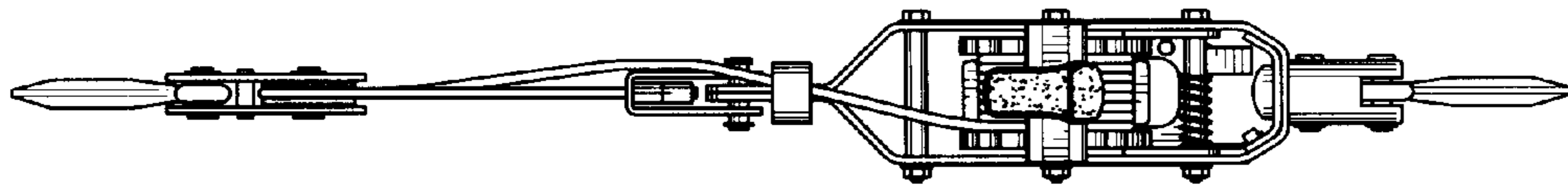


FIG. 3

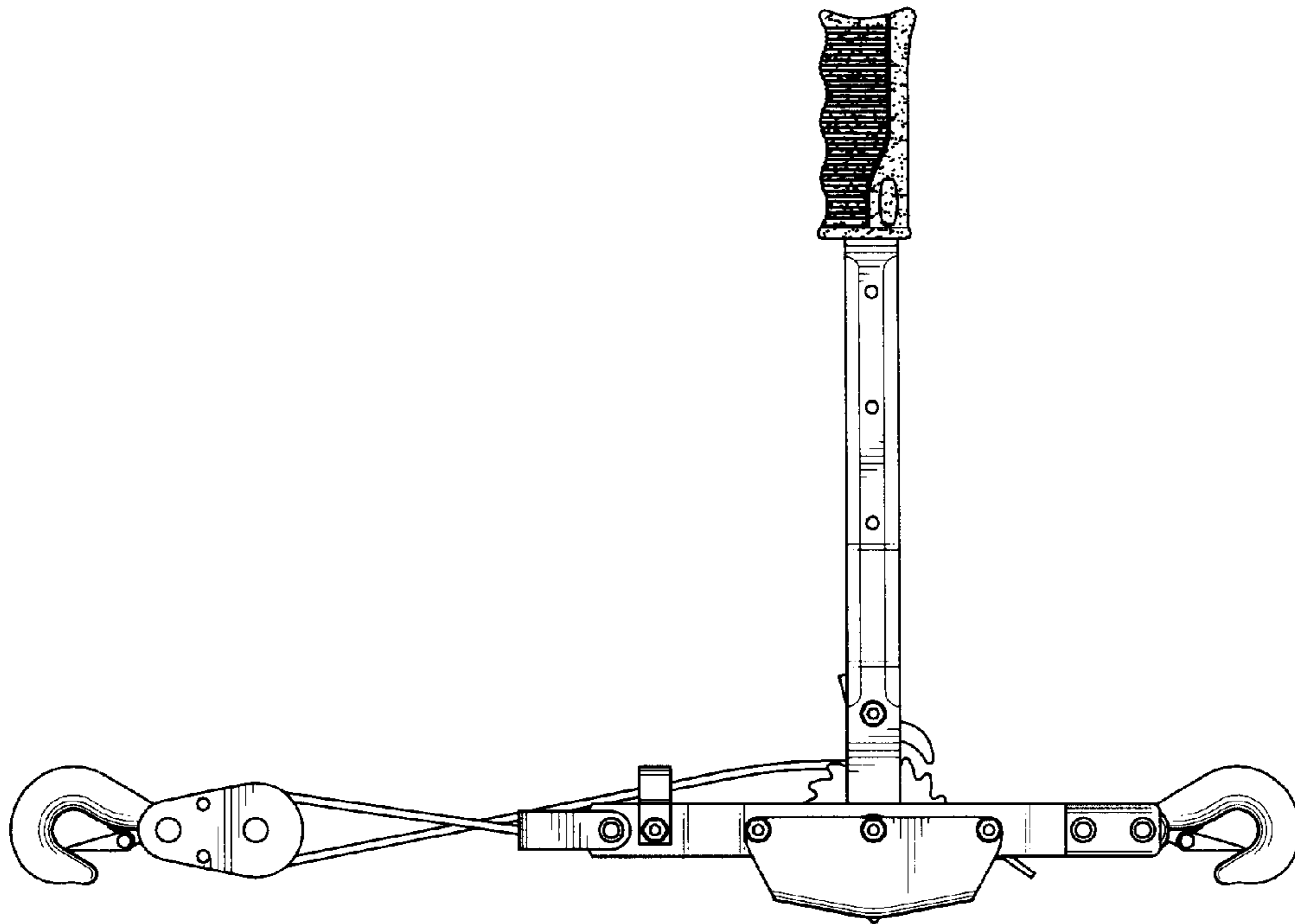


FIG. 4

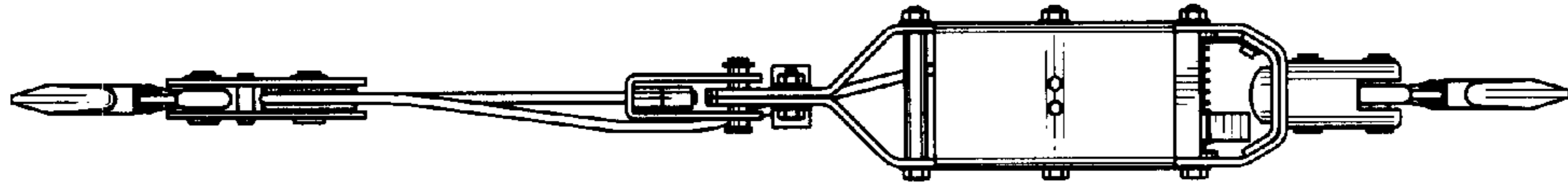


FIG. 5

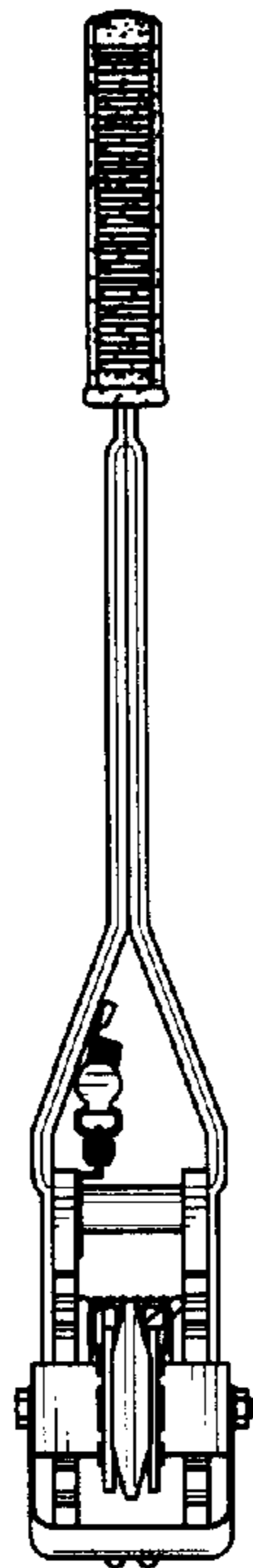


FIG. 6

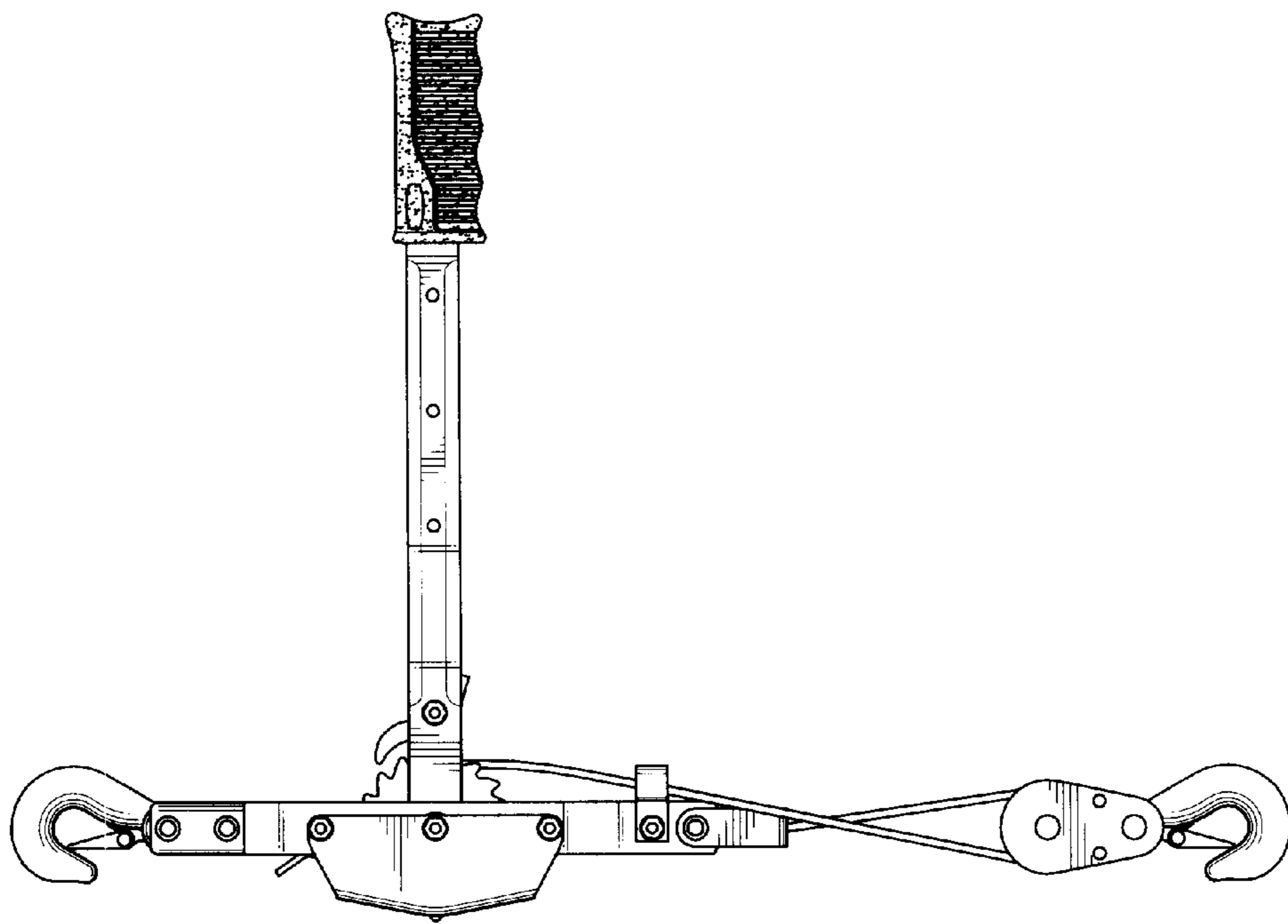


FIG. 7