

US00D530996S

(12) **United States Design Patent**
Yang

(10) **Patent No.:** **US D530,996 S**

(45) **Date of Patent:** **** Oct. 31, 2006**

(54) **WALNUT CRUSHER**

D502,062 S * 2/2005 Kaposi D7/693

(76) Inventor: **Heng-Te Yang**, P.O. Box 90, Tainan
City 70499 (TW)

* cited by examiner

Primary Examiner—Terry A. Wallace

(**) Term: **14 Years**

(57) **CLAIM**

(21) Appl. No.: **29/237,510**

The ornamental design for a walnut crusher, as shown as described.

(22) Filed: **Sep. 2, 2005**

DESCRIPTION

(51) **LOC (8) Cl.** **07-04**

(52) **U.S. Cl.** **D7/693; D7/679; D7/372**

(58) **Field of Classification Search** D7/693,
D7/679, 372-374, 383, 384; 241/168, 169,
241/169.1, 88.4, 88.5, 273.2, 262, 286
See application file for complete search history.

FIG. 1 is a perspective view of a walnut crusher showing my design;

FIG. 2 is a front elevational view thereof;

FIG. 3 is a rear elevational view thereof;

FIG. 4 is a left side elevational view thereof;

FIG. 5 is a right side elevational view thereof;

FIG. 6 is a top plan view thereof; and,

FIG. 7 is a bottom plan view thereof.

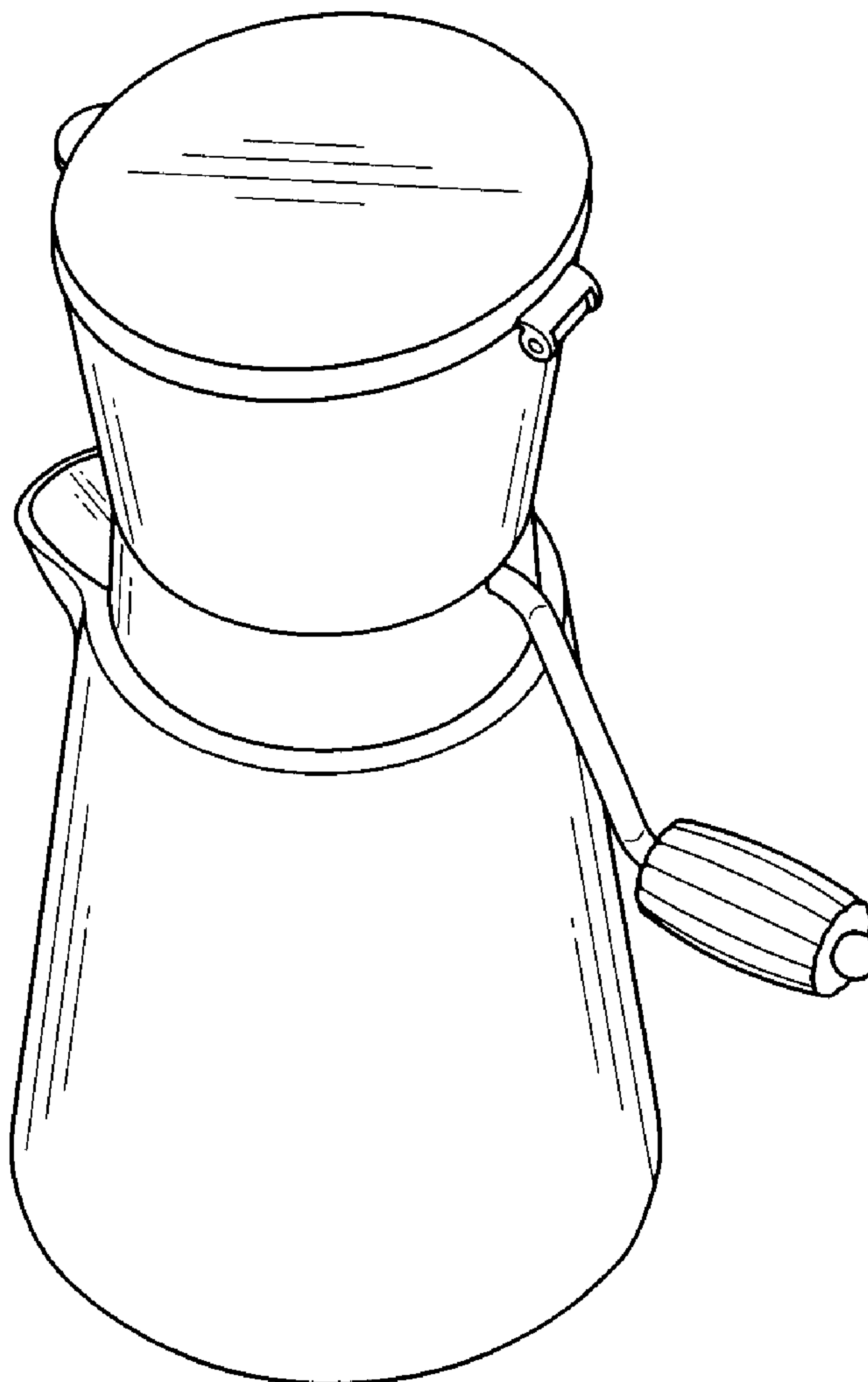
(56) **References Cited**

U.S. PATENT DOCUMENTS

3,527,277 A * 9/1970 Walter 241/88.4

4,155,843 A * 5/1979 Christianson 241/169.1

1 Claim, 6 Drawing Sheets



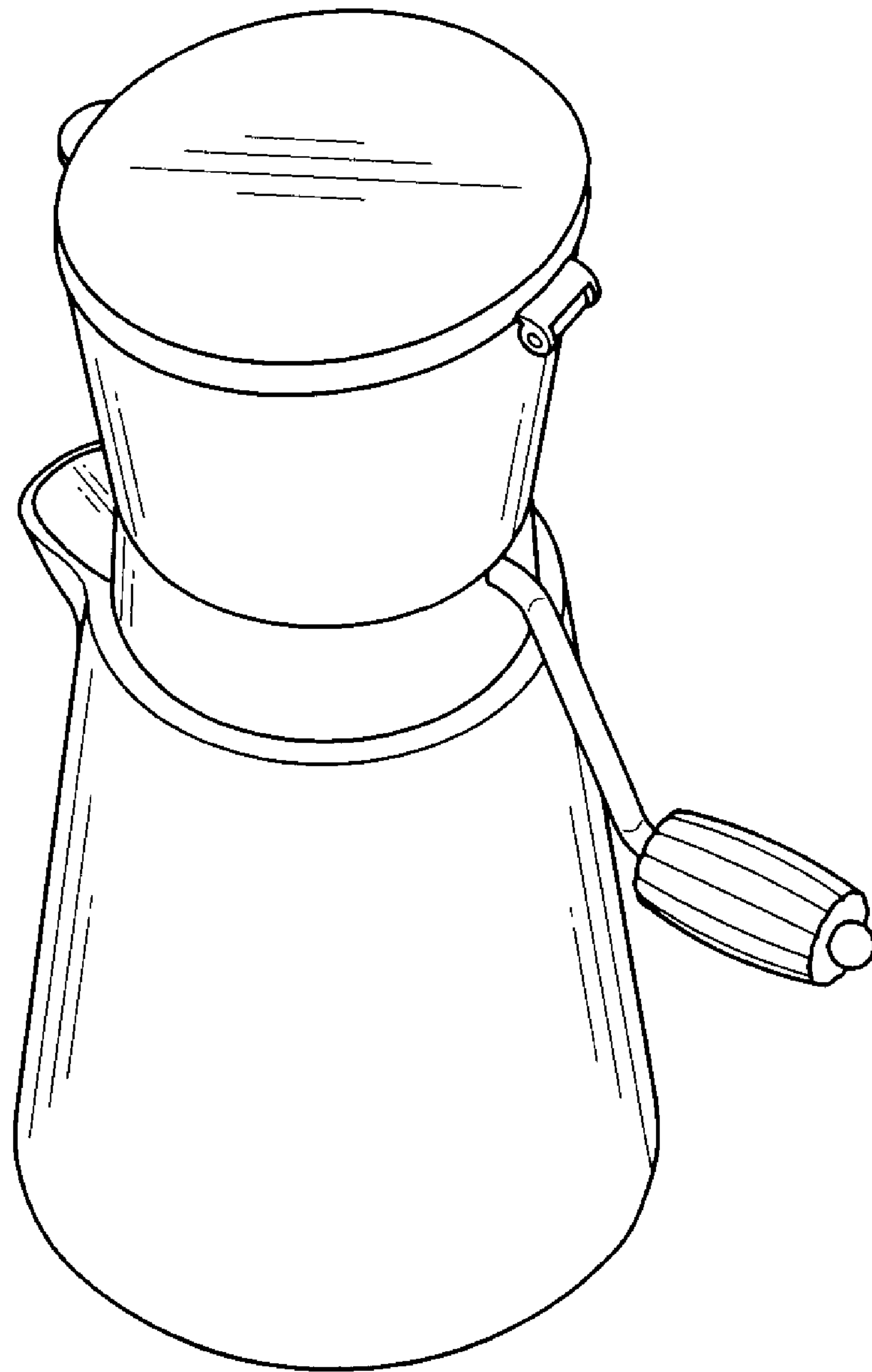


FIG. 1

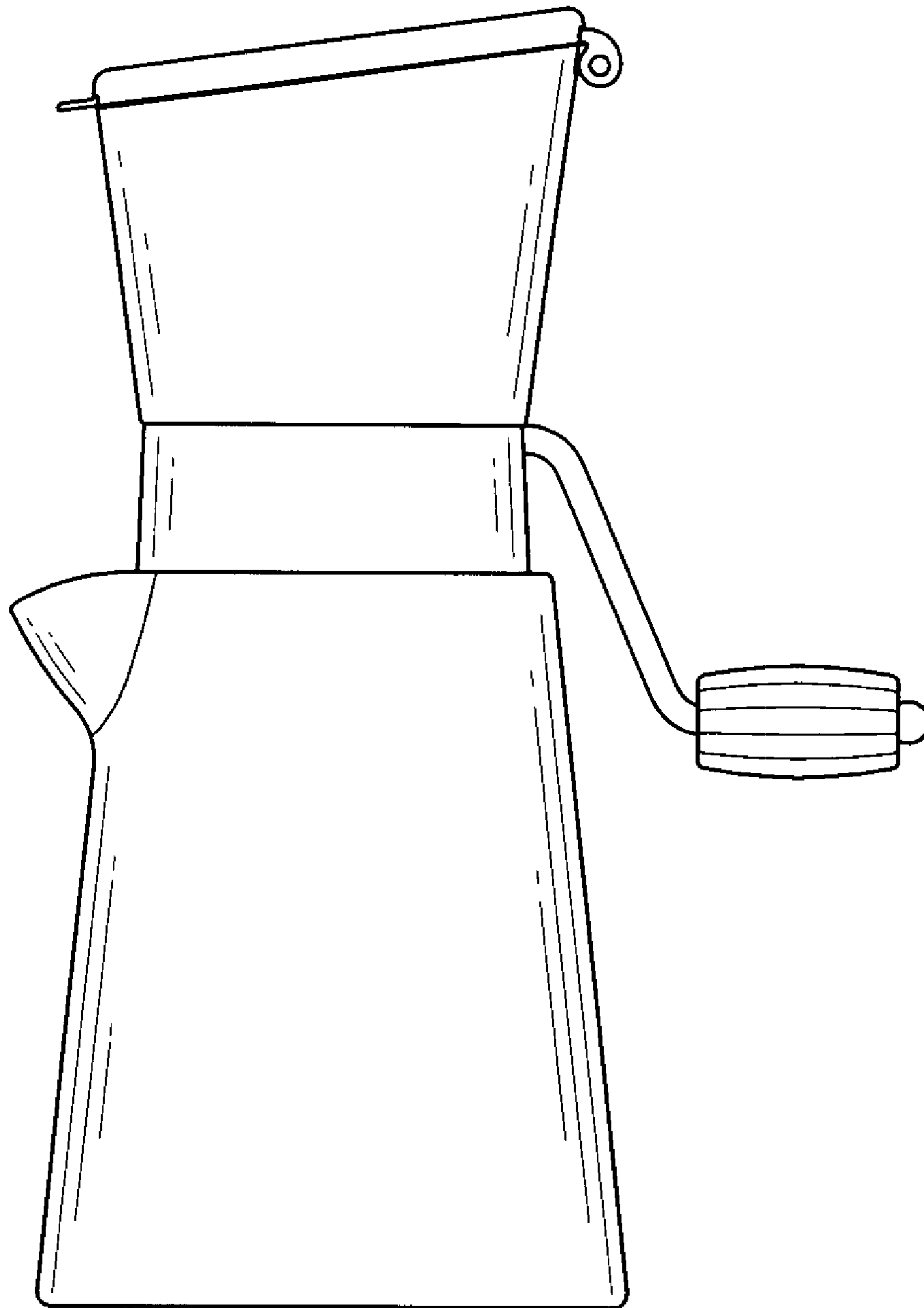


FIG. 2

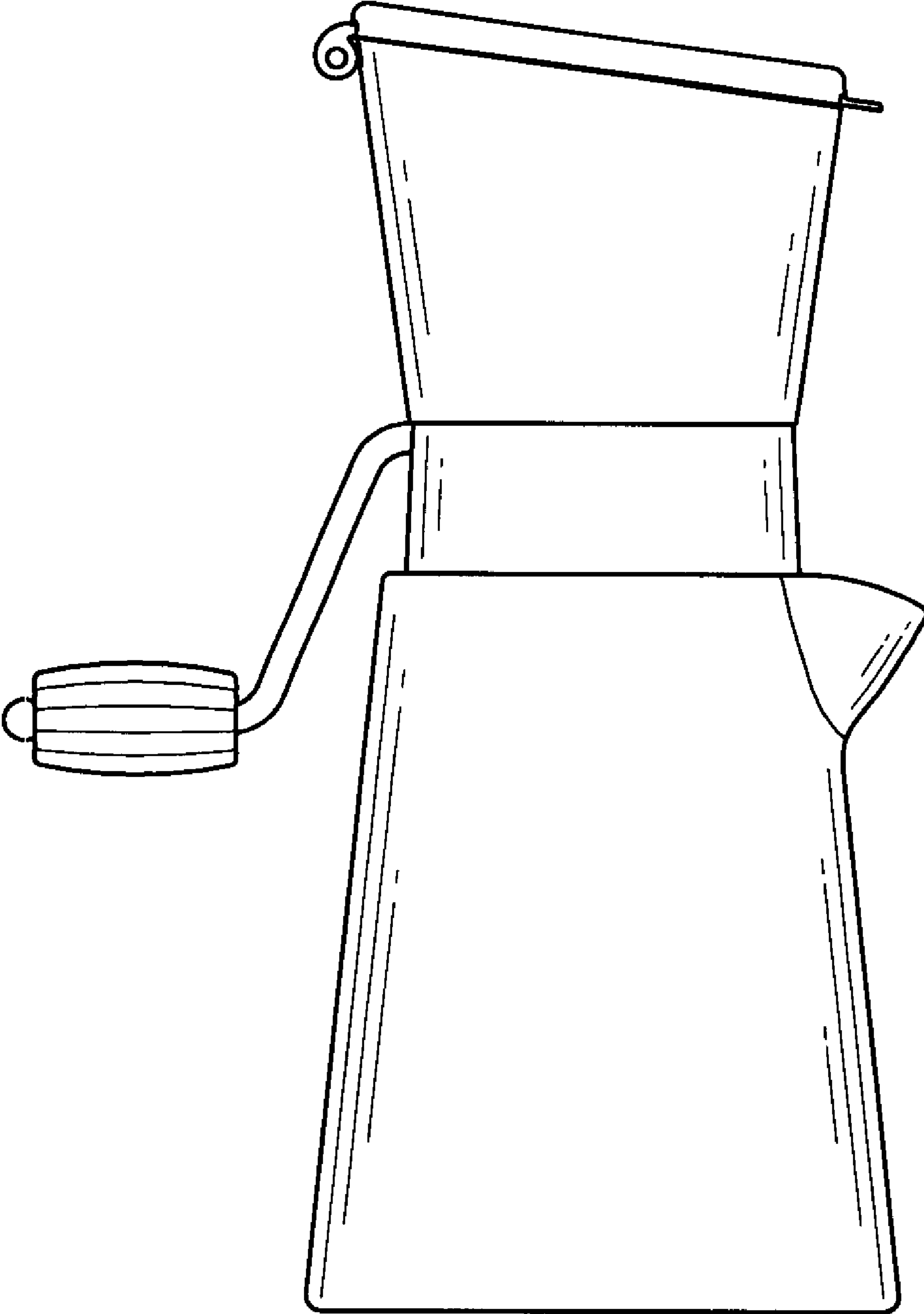


FIG.3

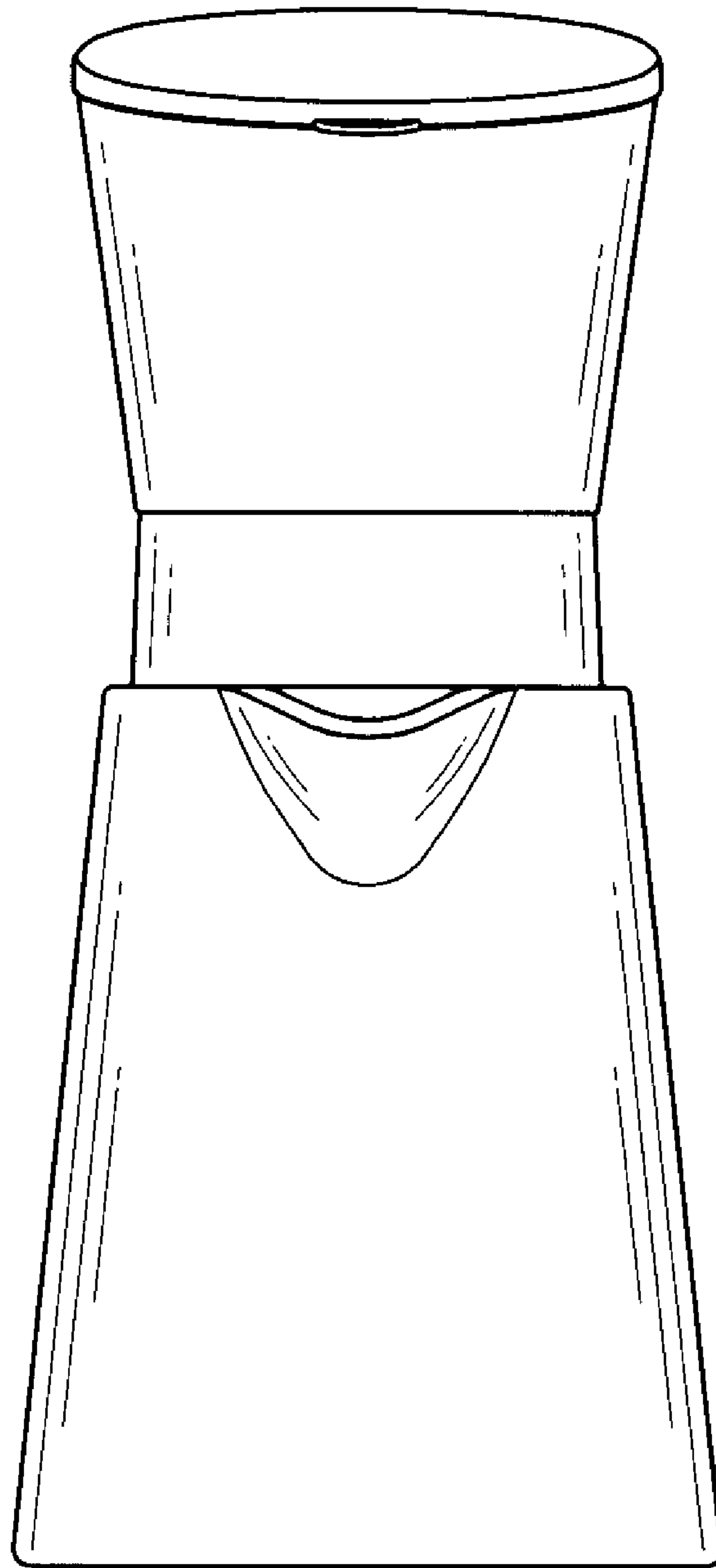


FIG.4

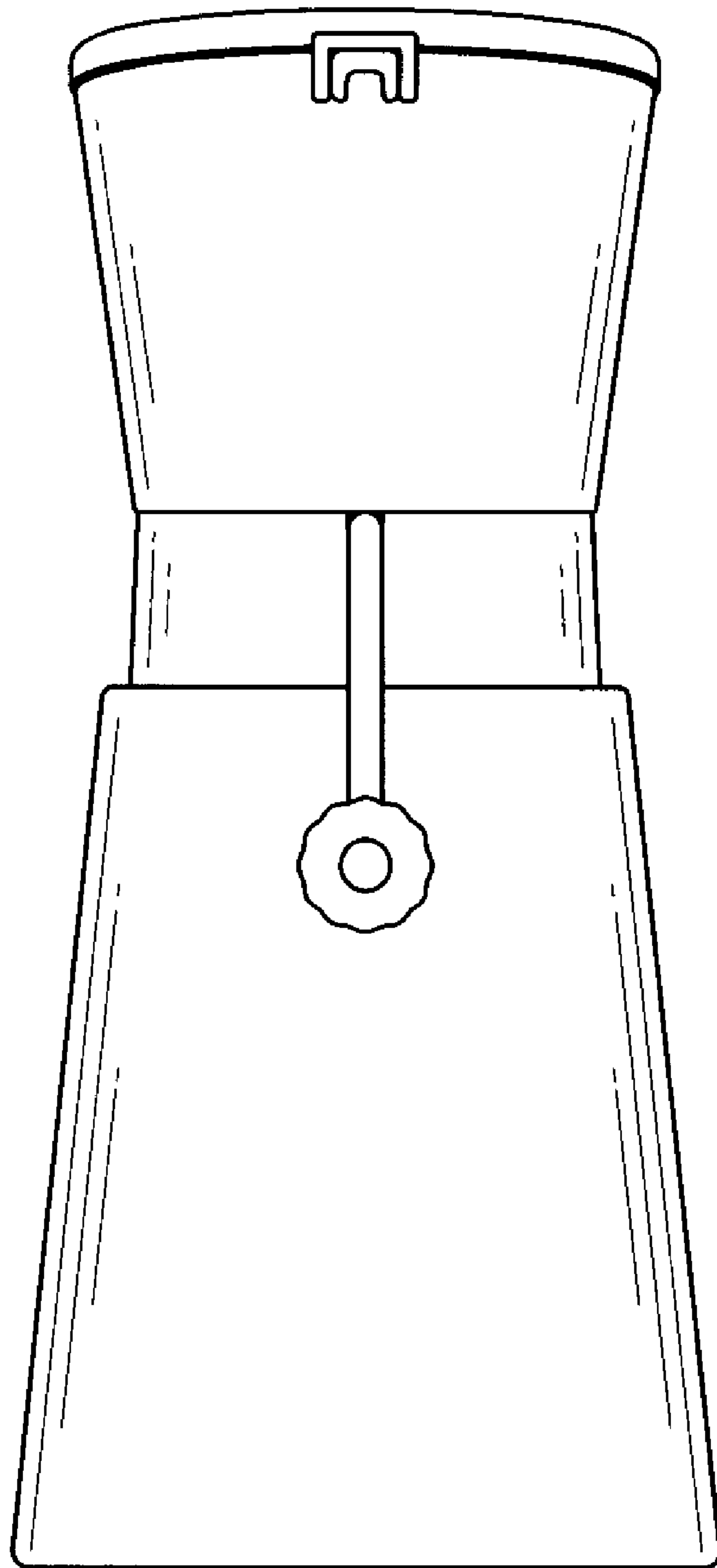


FIG. 5

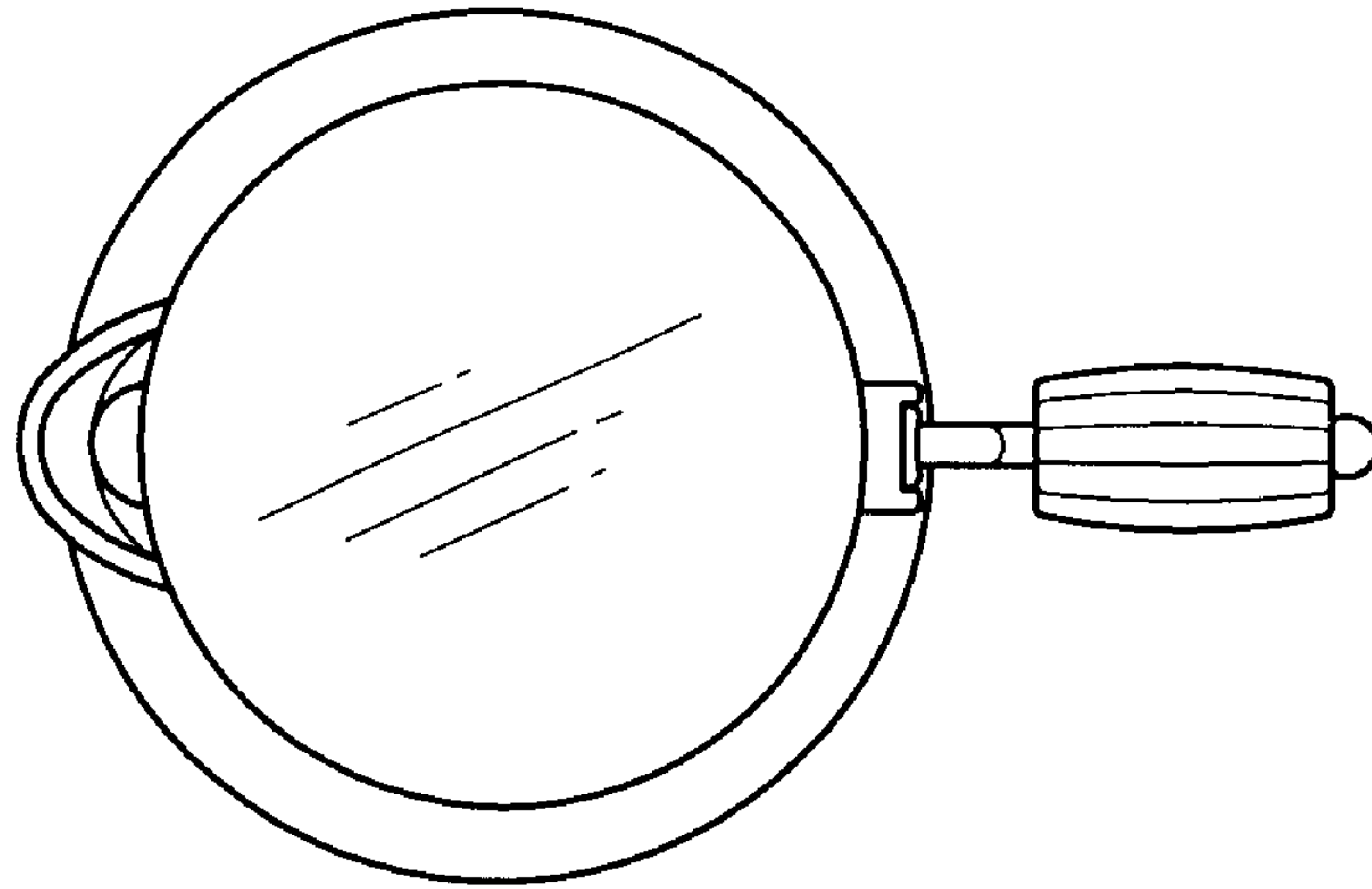


FIG. 6

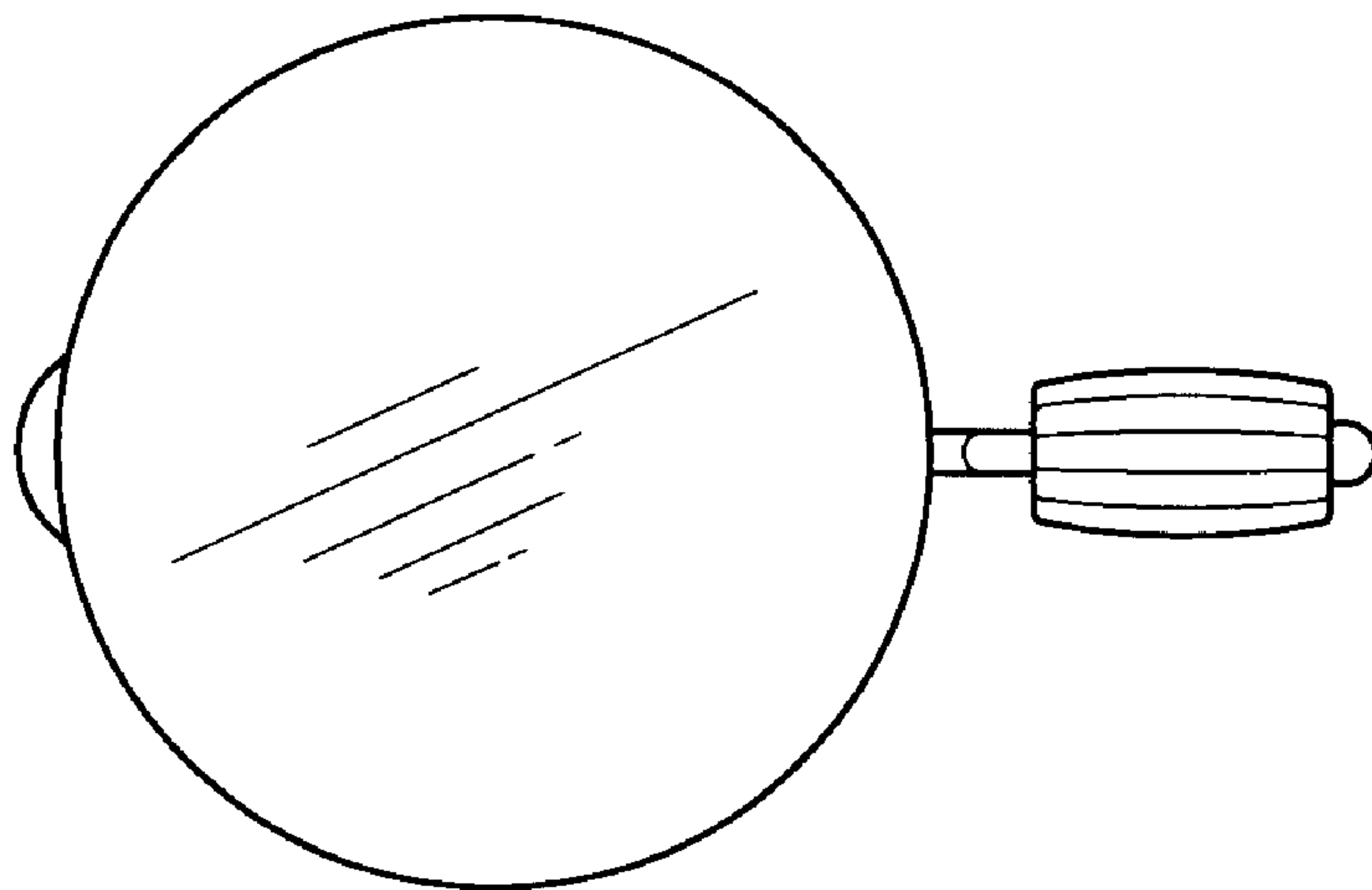


FIG. 7