

US00D530995S

(12) **United States Design Patent**
Jalet et al.

(10) **Patent No.:** **US D530,995 S**
(45) **Date of Patent:** **** Oct. 31, 2006**

(54) **MANUAL ROTARY CHOPPER/MIXER**

FOREIGN PATENT DOCUMENTS

(75) Inventors: **Vincent Jalet**, Brussels (BE);
Jan-Hendrik de Groote, Brussels (BE)

EP 1 449 472 A1 8/2004

(73) Assignee: **Dart Industries Inc.**, Orlando, FL (US)

OTHER PUBLICATIONS

(**) Term: **14 Years**

Starfrit Easy Chop; Atlantic Promotions, Inc.; Copyright 2005.

(21) Appl. No.: **29/224,642**

Mr. Easy; DS-Produckte GmbH.

(22) Filed: **Mar. 4, 2005**

* cited by examiner

(51) **LOC (8) Cl.** **07-04**

Primary Examiner—Terry A. Wallace

(52) **U.S. Cl.** **D7/693**

(74) *Attorney, Agent, or Firm*—John A. Doninger

(58) **Field of Classification Search** D7/693,
D7/601, 602, 629, 678, 679, 372, 373, 381,
D7/538–542, 384; 99/495, 509–513; 241/92–95,
241/168, 169, 169.1

(57) **CLAIM**

See application file for complete search history.

The ornamental design for a manual rotary chopper/mixer, as shown and described.

DESCRIPTION

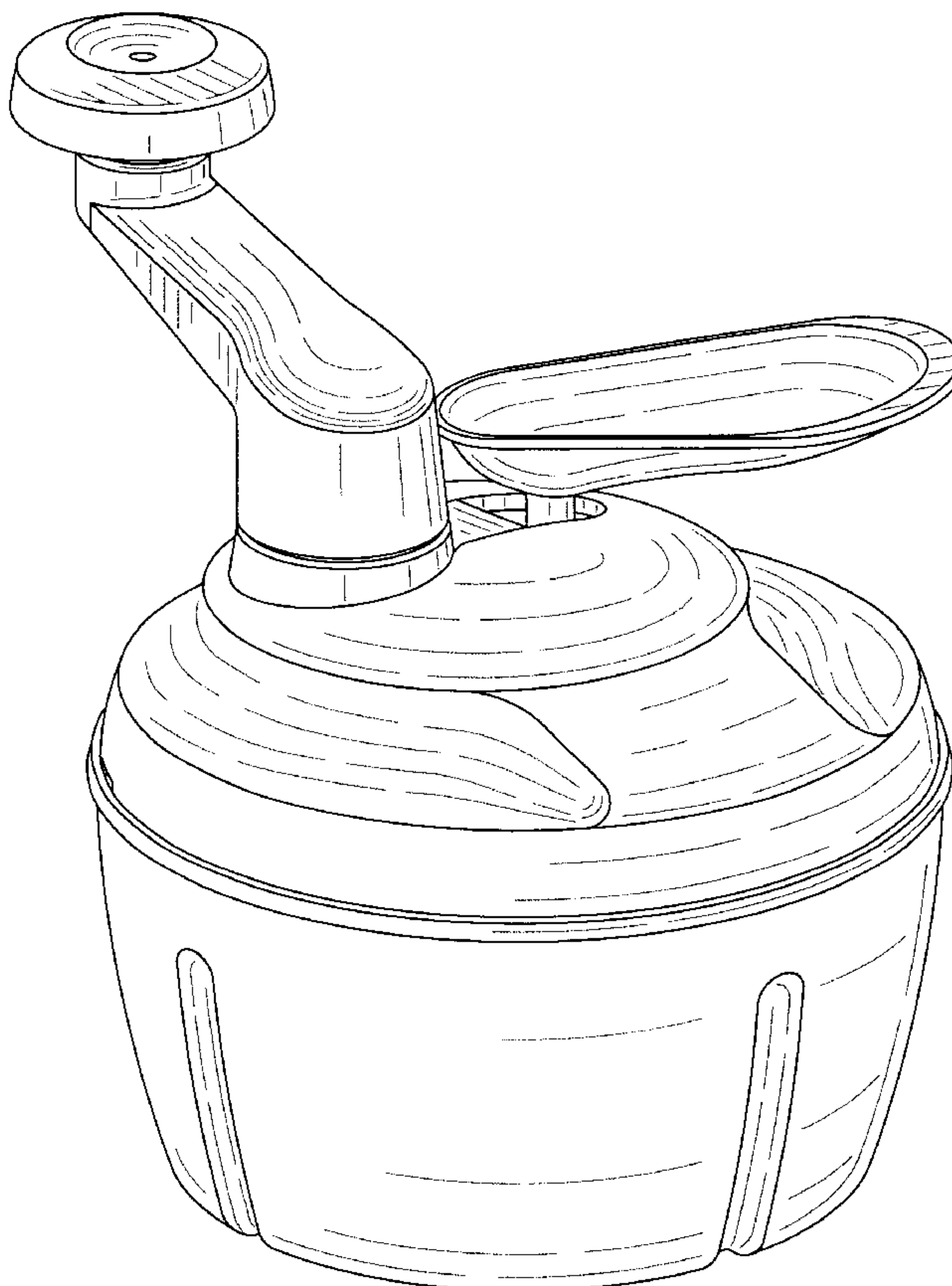
(56) **References Cited**

FIG. 1 is a top, right side and front perspective view of a manual rotary chopper/mixer showing the new design; FIG. 2 is a front elevation view thereof, the rear elevation view being identical thereto; FIG. 3 is a rear elevation view thereof; FIG. 4 is a right side elevation view thereof, the left side elevation being identical thereto; FIG. 5 is a left side elevation view thereof; FIG. 6 is a top plan view thereof; and, FIG. 7 is a bottom plan view thereof.

U.S. PATENT DOCUMENTS

4,311,283	A	*	1/1982	Bounds	241/95
4,588,136	A	*	5/1986	Homma	241/95
5,722,606	A	*	3/1998	Wu	241/169.1
D395,194	S	*	6/1998	Wong	D7/384
D415,938	S	*	11/1999	Blaise	D7/678
D431,426	S	*	10/2000	Yip	D7/679
D447,017	S		8/2001	Jalet		

1 Claim, 4 Drawing Sheets



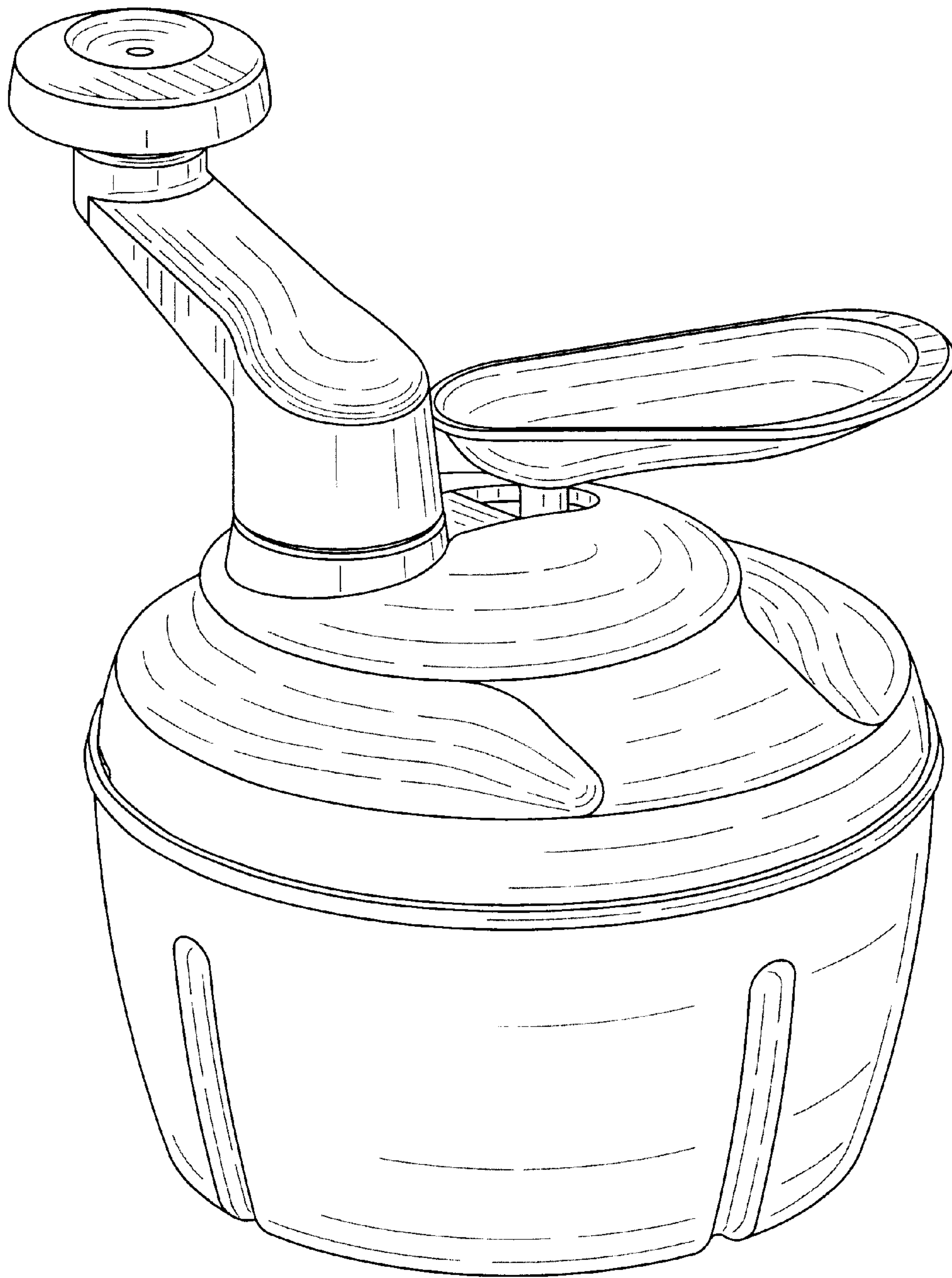


FIG. 1

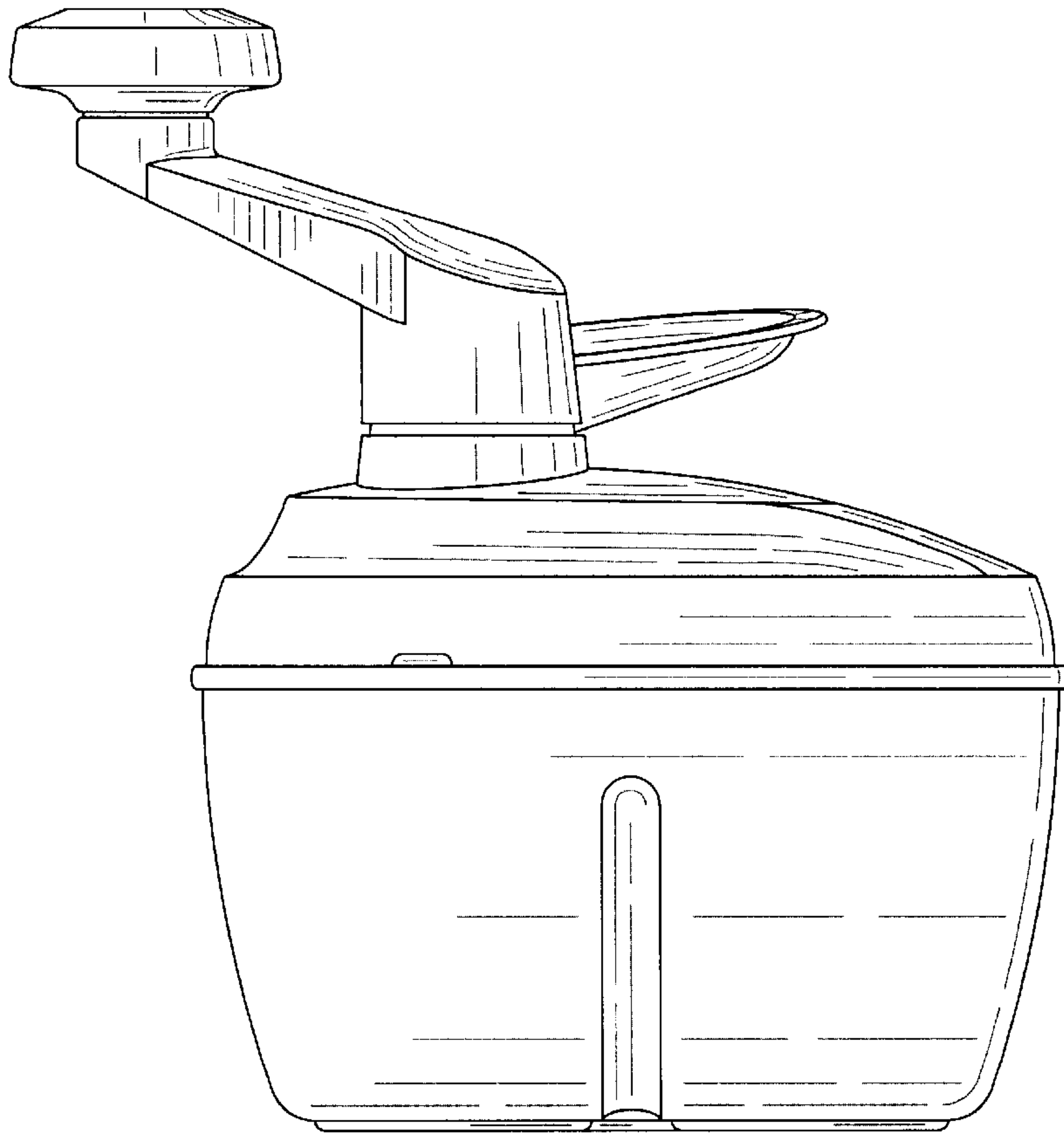


FIG. 2

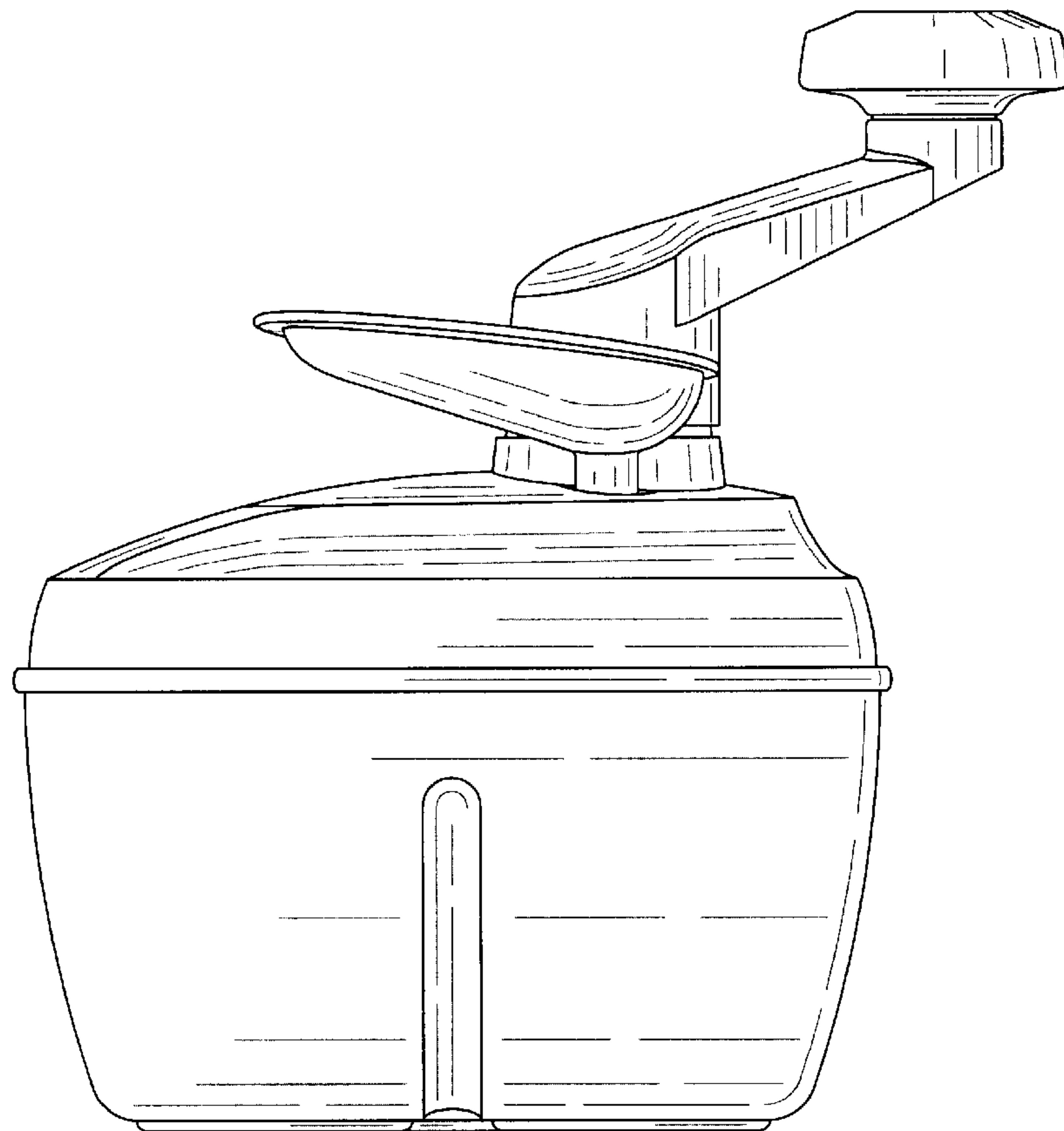


FIG. 3

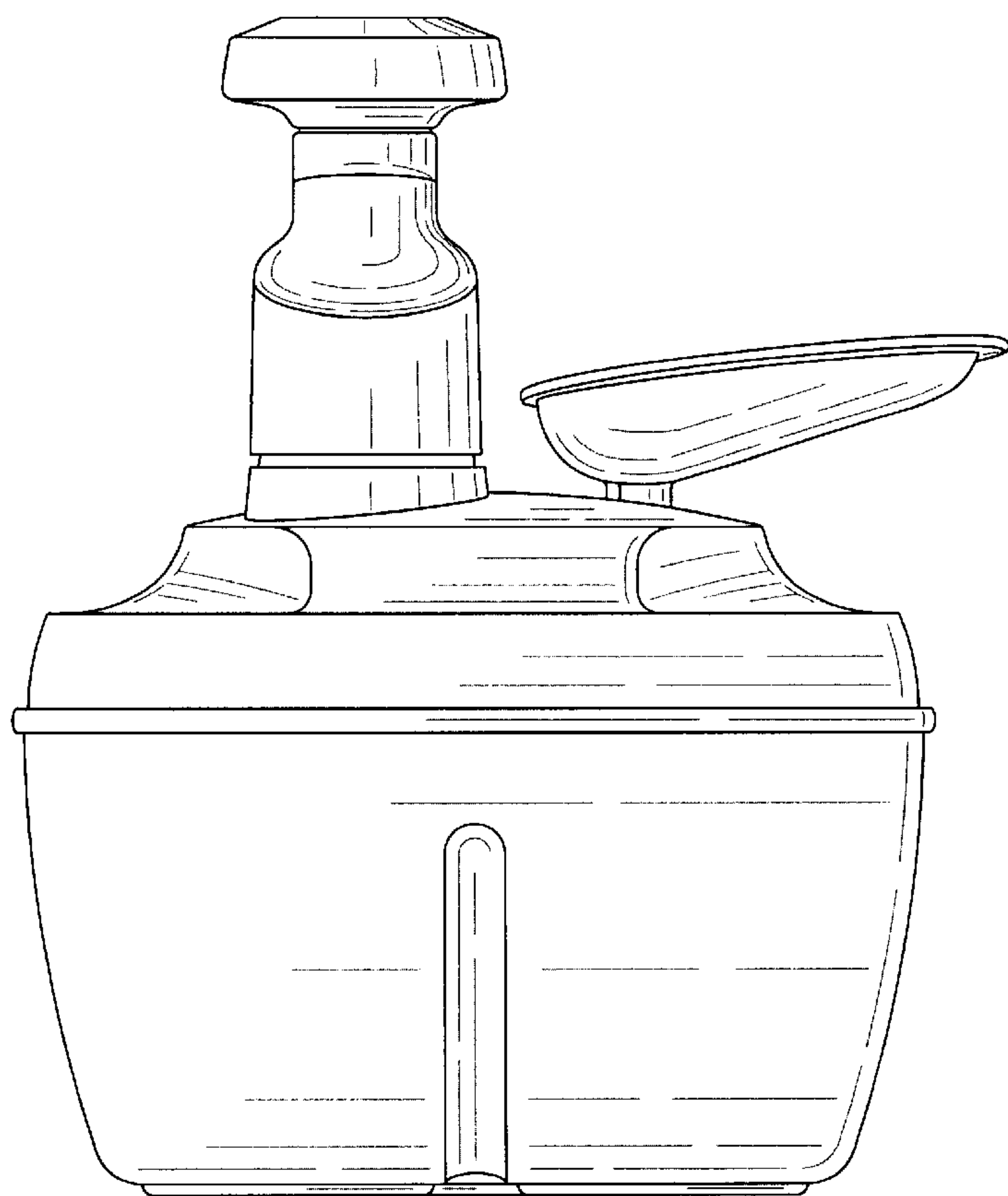


FIG. 4

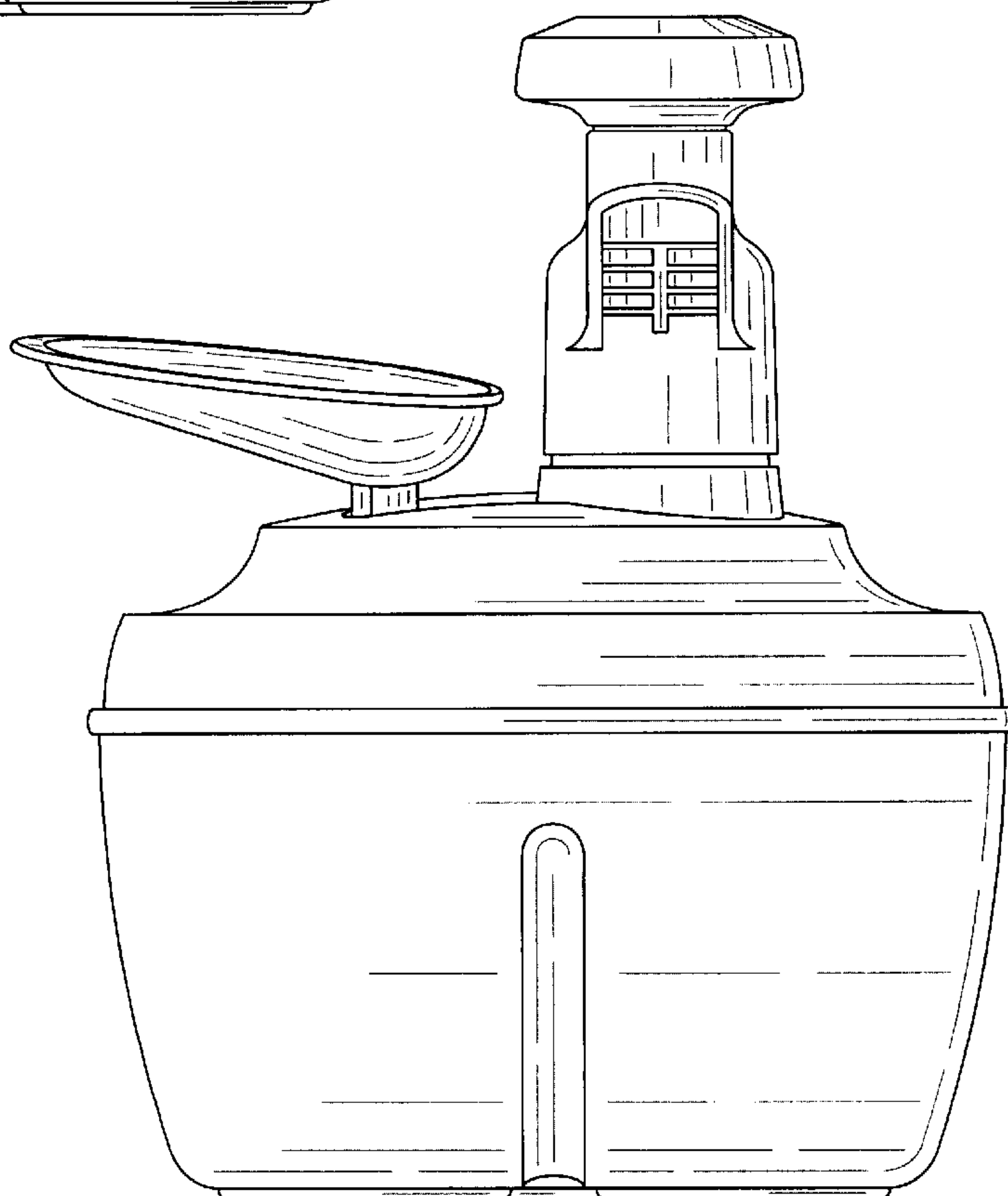


FIG. 5

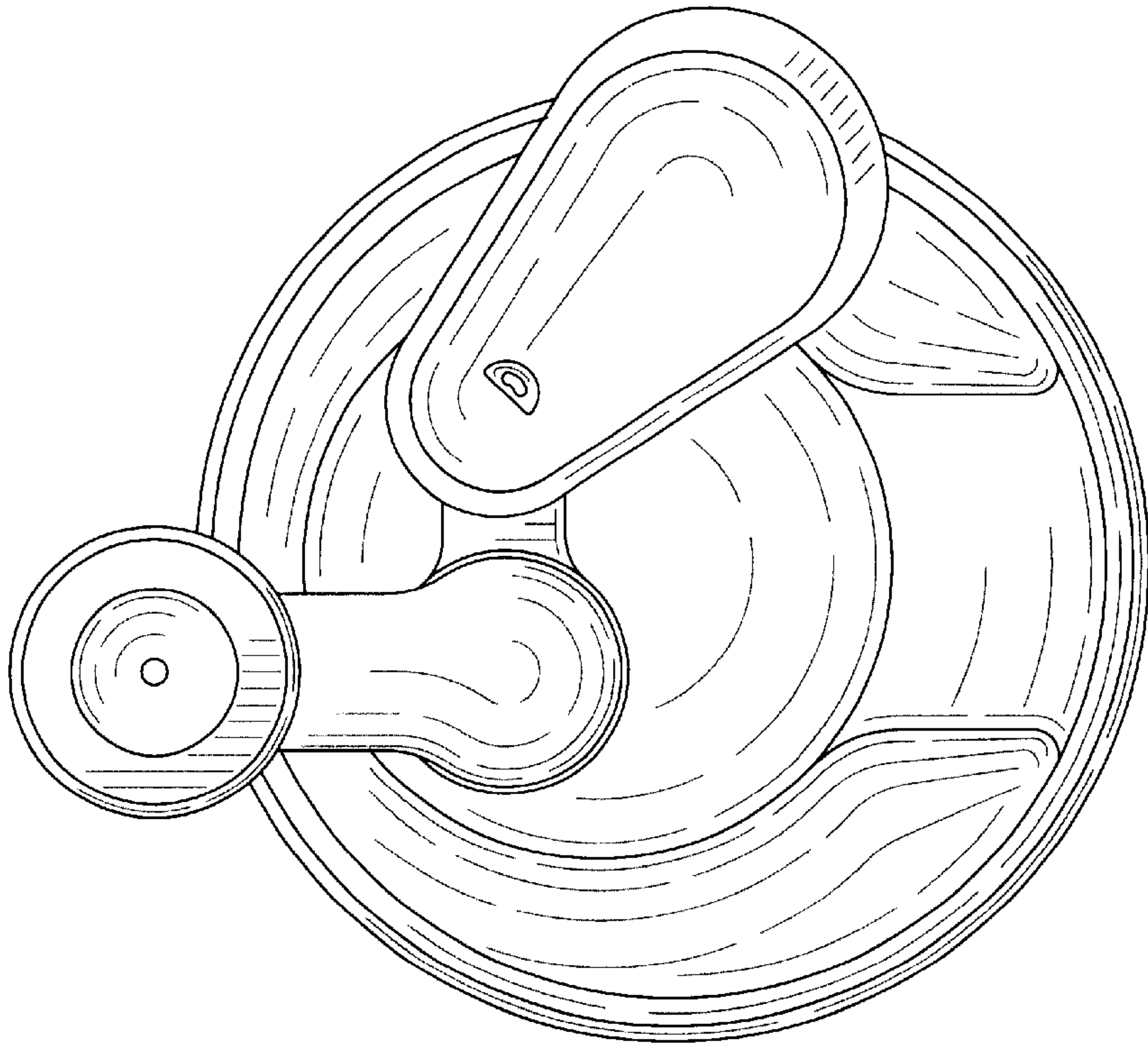


FIG. 6

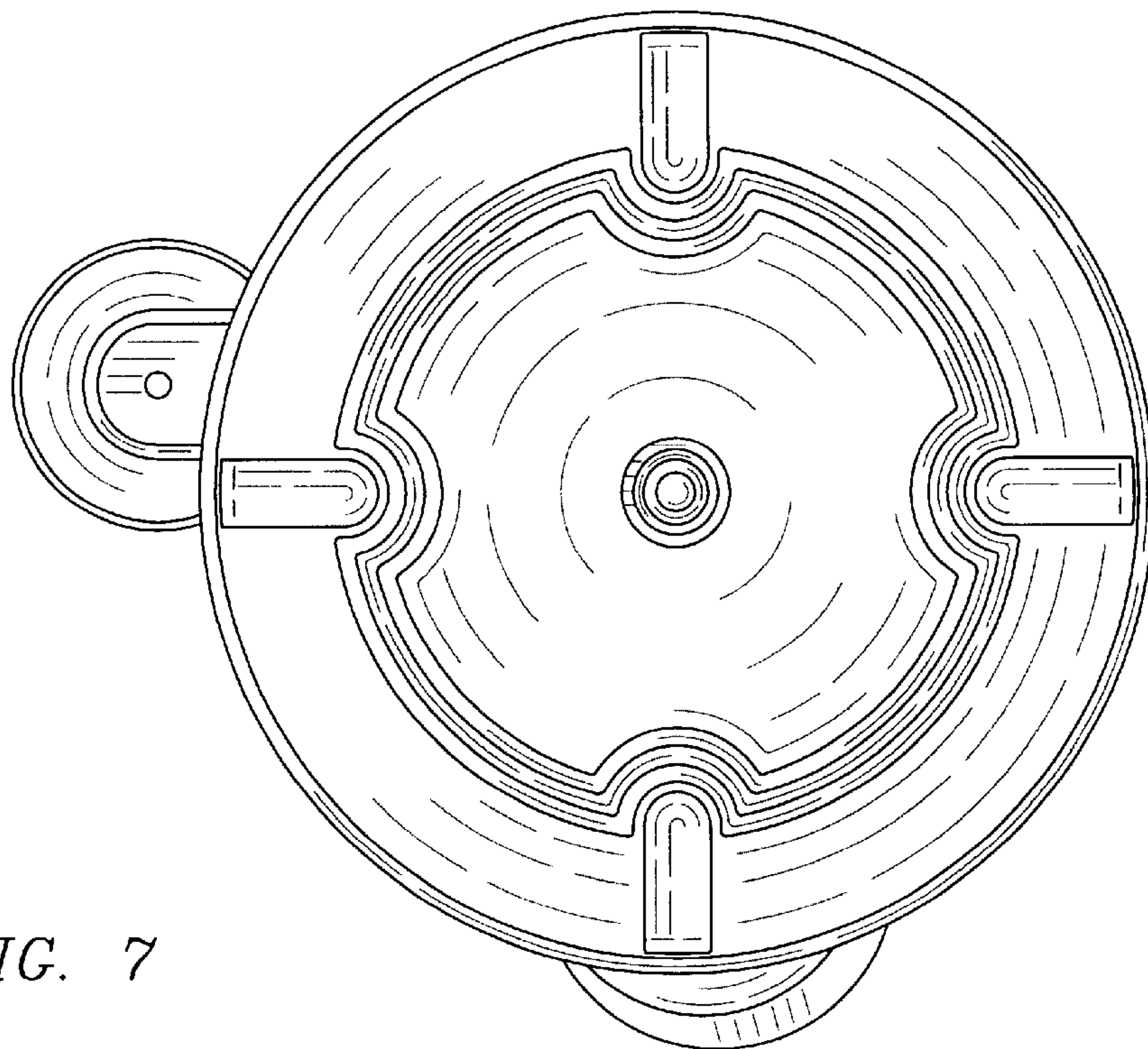


FIG. 7