



US00D530989S

(12) **United States Design Patent** (10) **Patent No.:** **US D530,989 S**
Mellen et al. (45) **Date of Patent:** **** Oct. 31, 2006**

(54) **SALAD SPINNER WITH SUCTION DEVICE**

(75) Inventors: **Christopher M. Mellen**, New York, NY (US); **Louis F. Henry**, Scarsdale, NY (US); **Charles S. Paradise**, New York, NY (US)

(73) Assignee: **Design for Living LLC**, New York, NY (US)

(**) Term: **14 Years**

5,029,786 A 7/1991 Wu
5,054,209 A 10/1991 Koff
5,065,973 A 11/1991 Want
5,076,527 A 12/1991 Yung-Huei
5,085,390 A 2/1992 Murphy
5,087,005 A 2/1992 Holoff et al.
5,104,077 A 4/1992 Liu
D328,551 S 8/1992 Kong
5,186,559 A 2/1993 Fu
5,366,129 A 11/1994 Nakamura et al.

(Continued)

(21) Appl. No.: **29/232,225**

(22) Filed: **Jun. 16, 2005**

(51) **LOC (8) Cl.** **07-04**

(52) **U.S. Cl.** **D7/665**

(58) **Field of Classification Search** D7/665-668,
D7/538-542, 629; 34/58; 99/479, 495, 511-513;
210/360.1, 380.1; 241/166, 169
See application file for complete search history.

FOREIGN PATENT DOCUMENTS

FR 2347563 11/1977
GB 813265 5/1959
GB 906624 9/1962
GB 975271 11/1964
GB 1193899 6/1970
JP 5220042 8/1993

Primary Examiner—Terry A. Wallace
(74) Attorney, Agent, or Firm—Lathrop & Gage LC

(56) **References Cited**

U.S. PATENT DOCUMENTS

1,840,400 A 1/1932 Lebherz
1,871,113 A 8/1932 Compter et al.
2,089,714 A 8/1937 Schuler
2,542,101 A 2/1951 Suben
2,871,053 A 1/1959 Richter
2,940,713 A 6/1960 Van Dusen
3,300,871 A 1/1967 O'Connor
3,747,170 A 7/1973 Kieves
3,765,638 A 10/1973 Harrison
3,863,568 A 2/1975 Frederick
4,012,007 A 3/1977 Cunningham
4,022,412 A 5/1977 Houlf
4,093,165 A 6/1978 Sussman
RE30,649 E 6/1981 Thompson
4,505,446 A 3/1985 Roder
4,560,216 A 12/1985 Egawa
4,702,162 A 10/1987 Sontheimer et al.
4,756,497 A 7/1988 Lan
4,934,641 A 6/1990 McElhaney
4,987,827 A 1/1991 Marquez

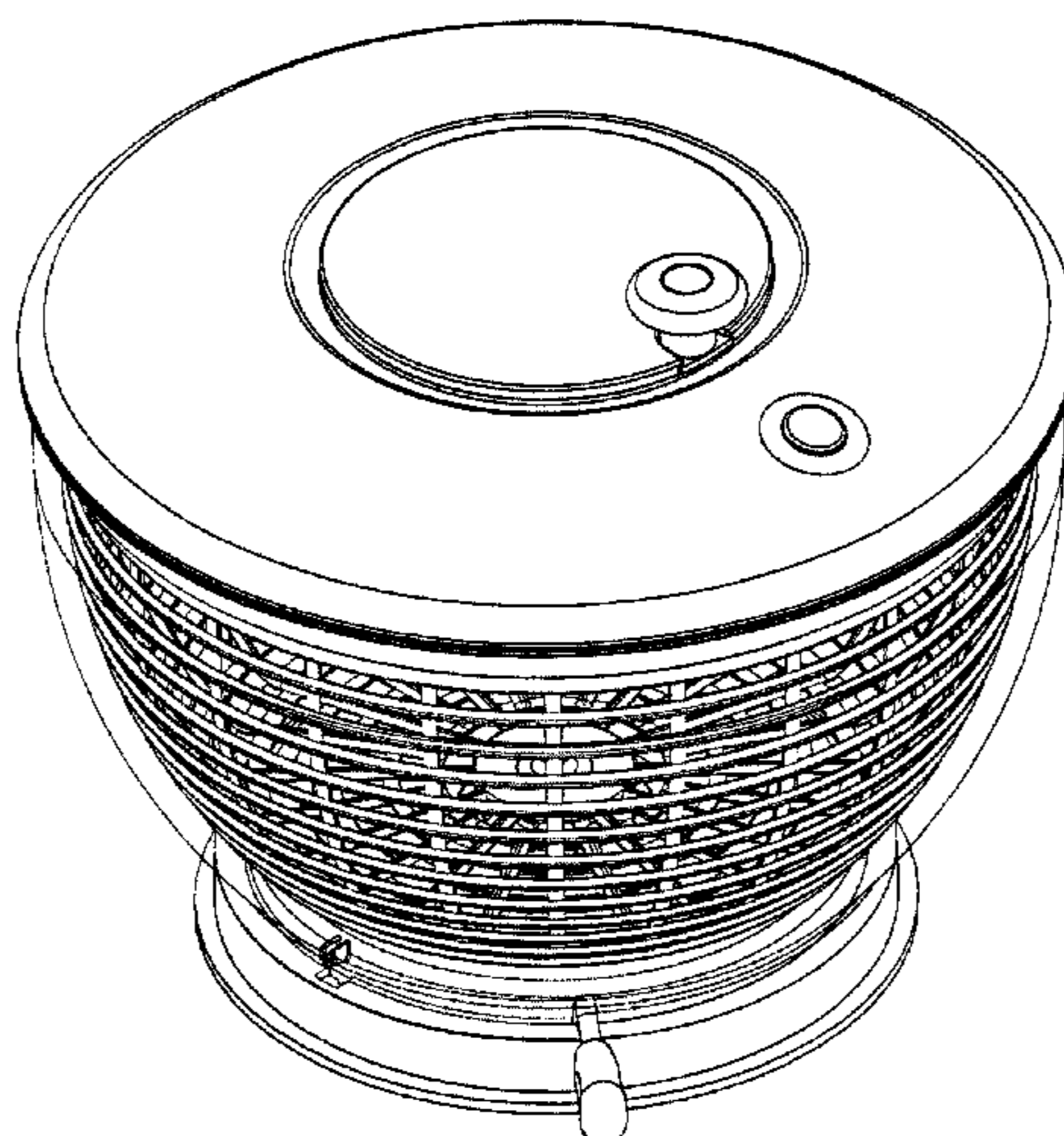
(57) **CLAIM**

The ornamental design for a salad spinner with suction device, as shown and described.

DESCRIPTION

FIG. 1 is a perspective view of a salad spinner with suction device, showing the new design;
FIG. 2 is a front view of the salad spinner with suction device of FIG. 1;
FIG. 3 is a right side view of the salad spinner with suction device of FIG. 1;
FIG. 4 is a left side view of the salad spinner with suction device of FIG. 1;
FIG. 5 is a back view of the salad spinner with suction device of FIG. 1;
FIG. 6 is the top view of the salad spinner with suction device of FIG. 1; and,
FIG. 7 is the bottom view of the salad spinner with suction device of FIG. 1.

1 Claim, 7 Drawing Sheets



US D530,989 S

Page 2

U.S. PATENT DOCUMENTS

5,381,990 A	1/1995	Belokin et al.	6,371,324 B1	4/2002	Torniainen et al.
5,395,159 A	3/1995	Pinto	6,386,494 B1	5/2002	Huang
5,474,206 A	12/1995	Herring, Sr.	6,405,973 B1	6/2002	Hollinger
5,562,025 A *	10/1996	Bull et al. 99/495	6,439,760 B1	8/2002	Langeloh et al.
D376,063 S	12/1996	Bull et al.	D462,881 S *	9/2002	Mulhauser et al. D7/665
D402,165 S	12/1998	Bull	6,443,388 B1	9/2002	Hollinger
5,845,885 A	12/1998	Carnevali	6,473,988 B1	11/2002	Mulhauser et al.
5,904,090 A *	5/1999	Lillelund et al. 99/495	6,478,271 B1	11/2002	Mulholland
D411,720 S	6/1999	Lillelund et al.	6,510,785 B1	1/2003	Margolin
5,927,304 A	7/1999	Wen	6,523,555 B1	2/2003	Baccini
5,966,830 A	10/1999	Schnacke	6,561,476 B1	5/2003	Carnevali
5,970,860 A	10/1999	Yip	6,596,374 B1	7/2003	Adjeleian
5,992,309 A	11/1999	Mulhauser et al.	6,604,646 B1	8/2003	Torniainen et al.
5,992,806 A	11/1999	Adams	6,619,604 B1	9/2003	Stillman
6,018,883 A	2/2000	Mulhauser	6,622,618 B1	9/2003	Glucksman et al.
6,045,111 A	4/2000	Hsich	6,666,420 B1	12/2003	Carnevali
D427,857 S	7/2000	Mulhauser et al.	6,739,061 B1	5/2004	Montel
6,193,197 B1	2/2001	Lian	6,776,368 B1	8/2004	Duncan et al.
6,308,923 B1	10/2001	Howard	6,808,090 B1	10/2004	Pedersen
6,343,546 B1	2/2002	Ancona et al.			

* cited by examiner

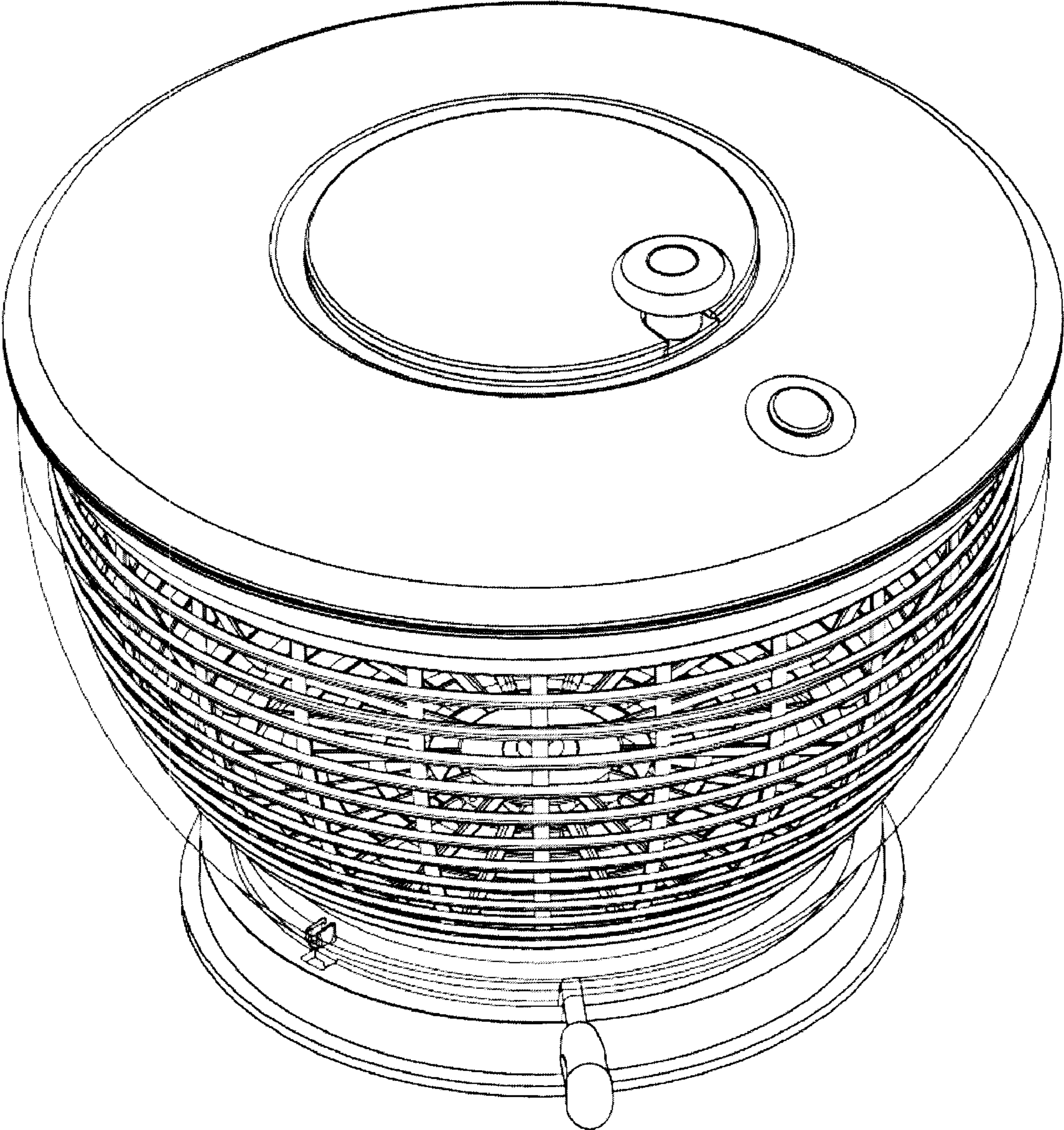


FIG. 1

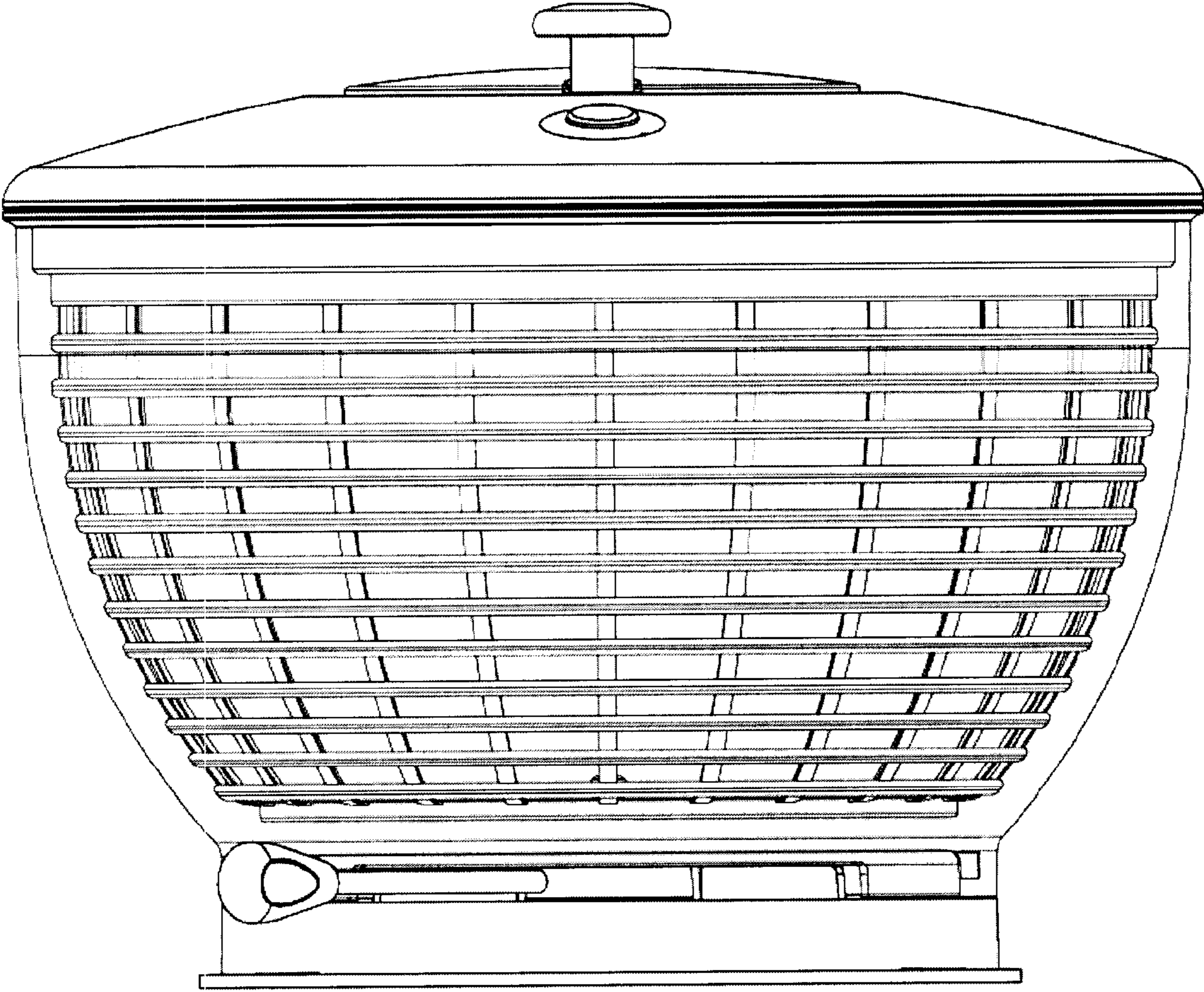


FIG. 2

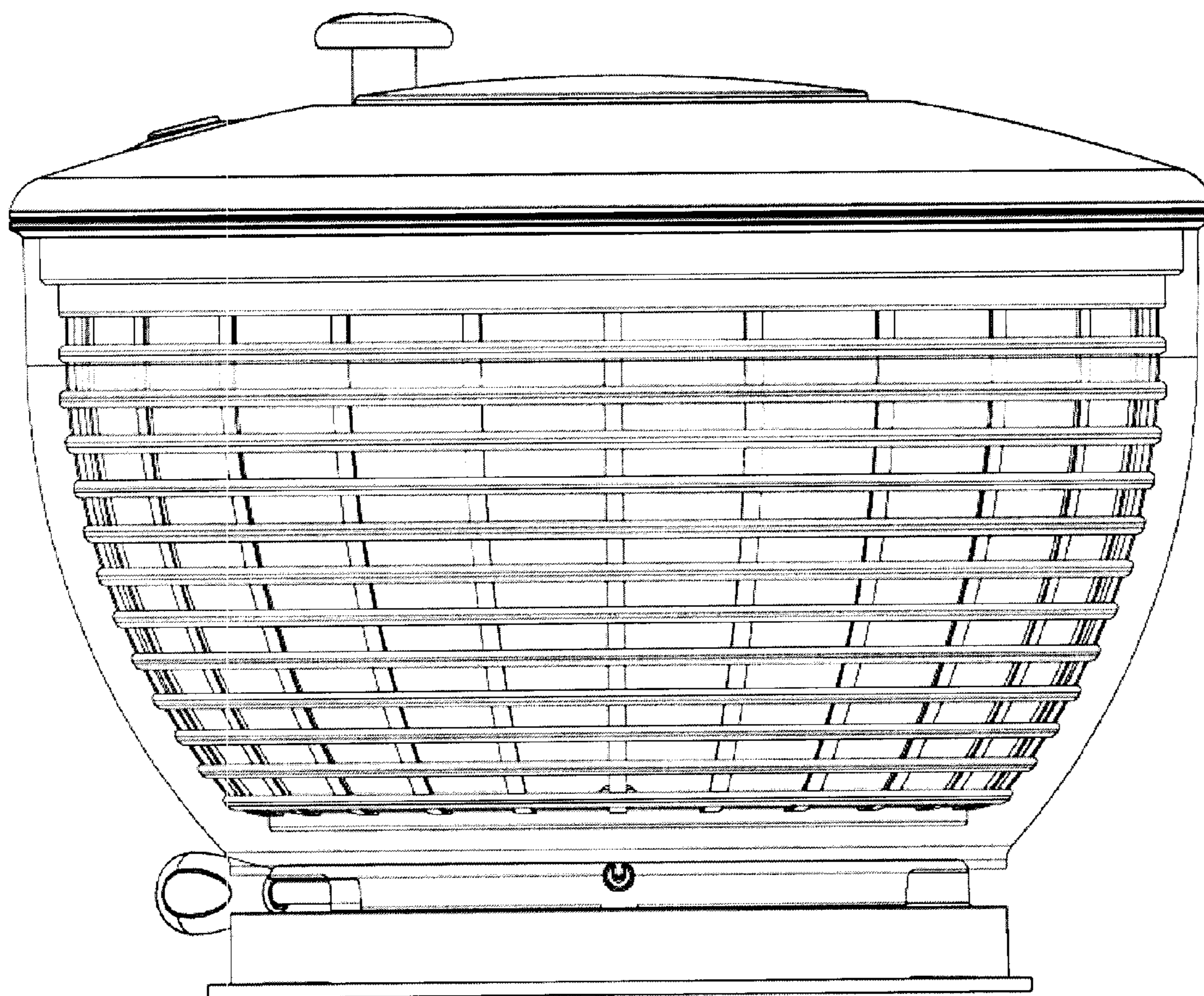


FIG. 3

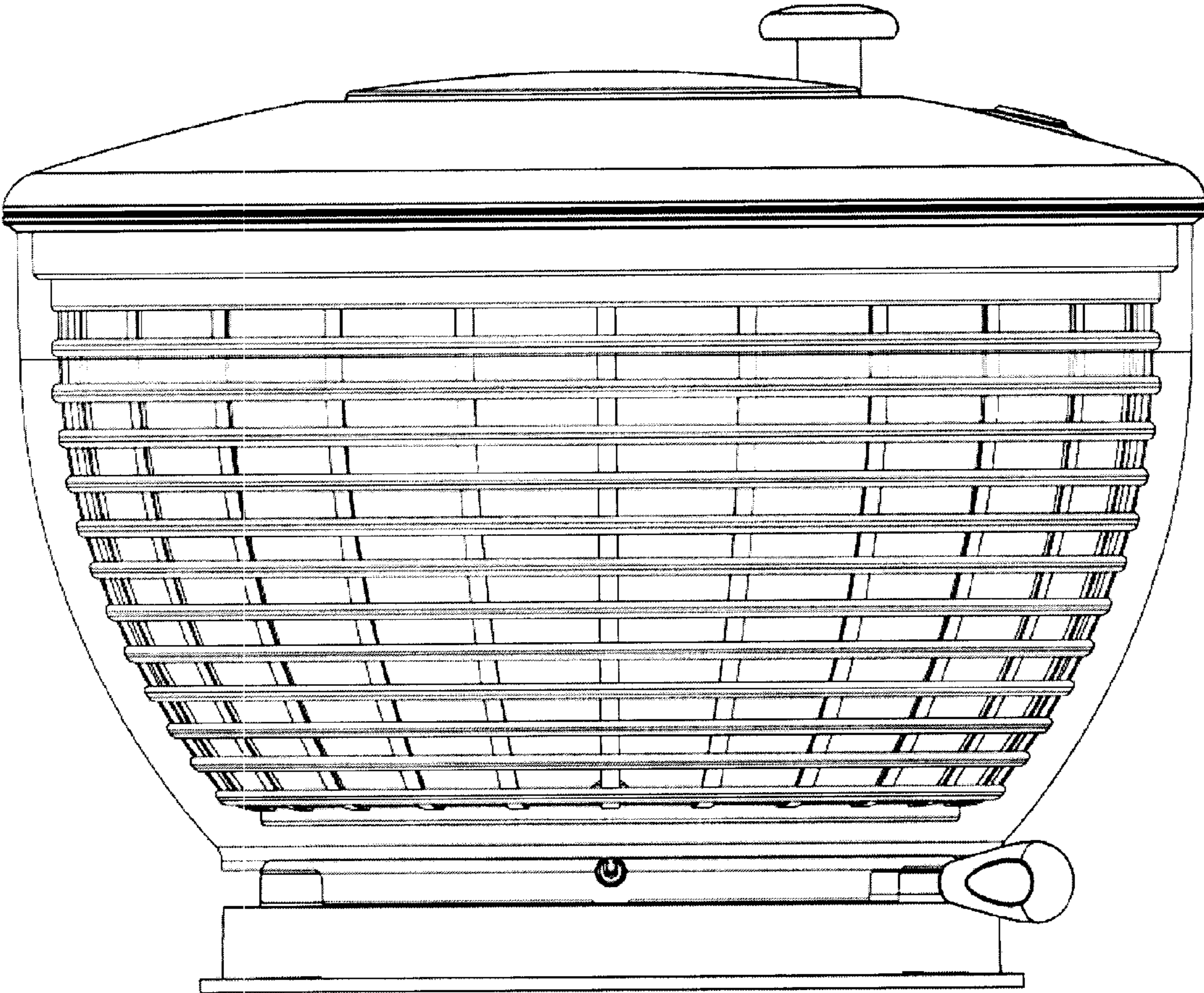


FIG. 4

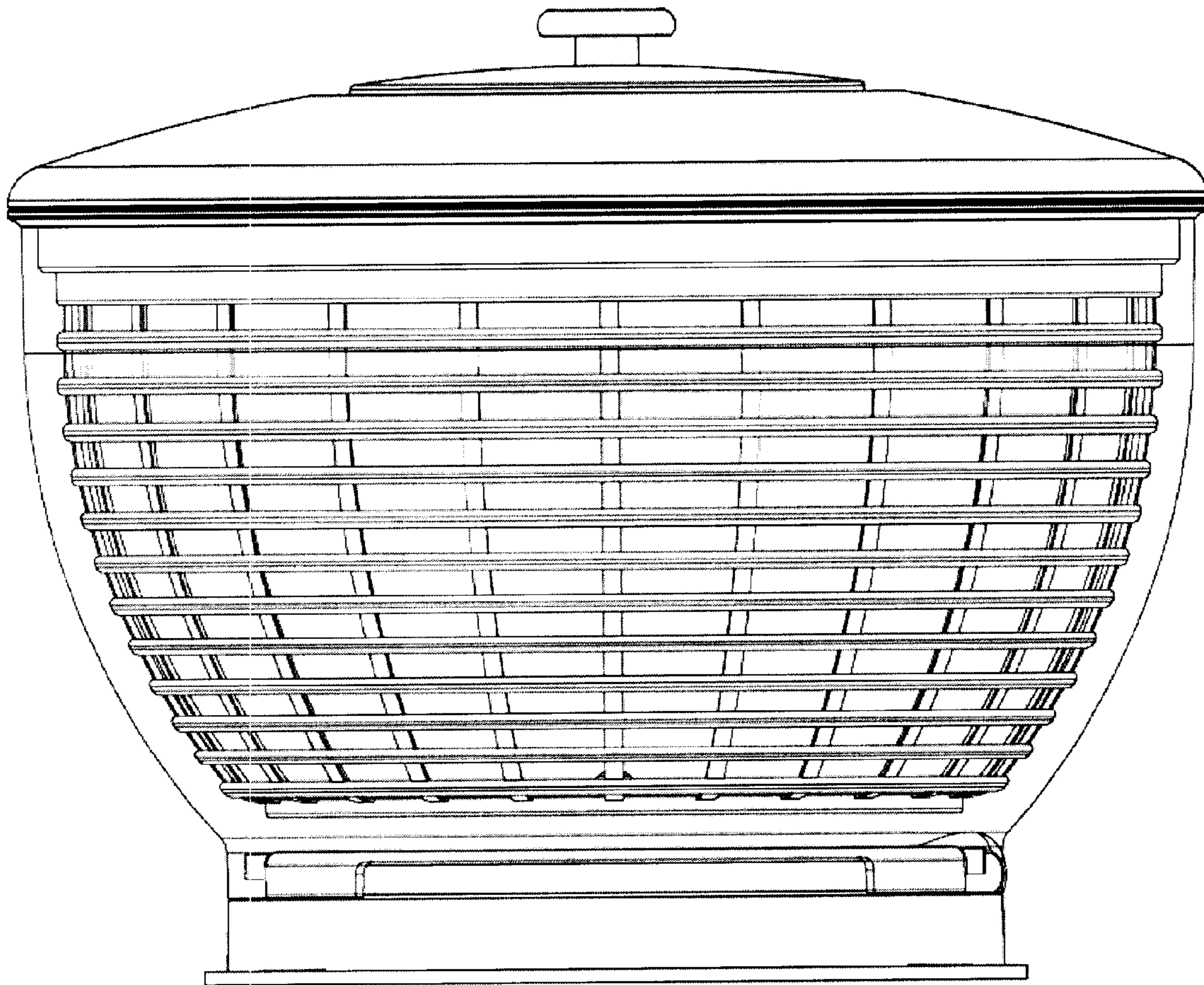


FIG. 5

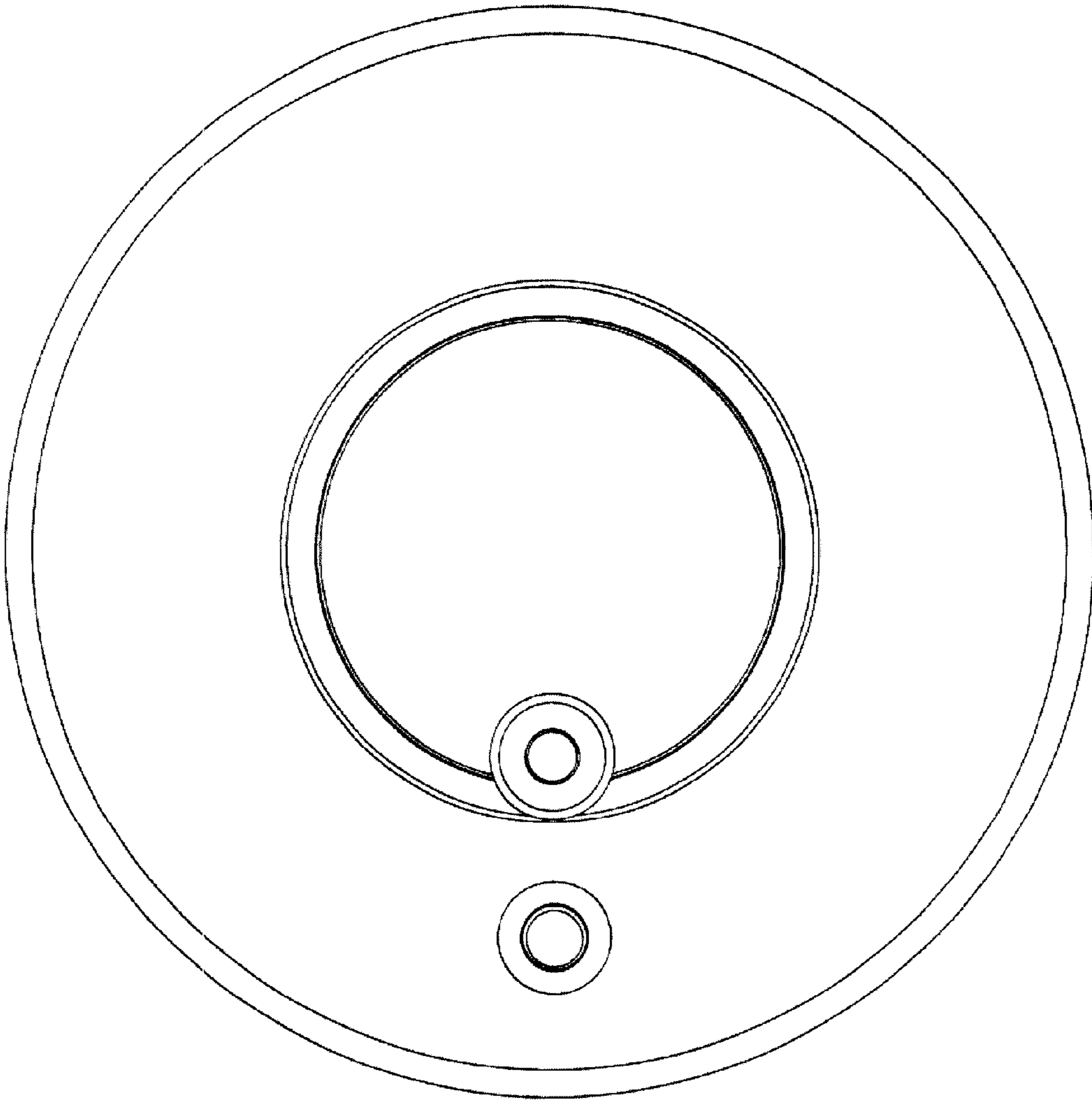


FIG. 6

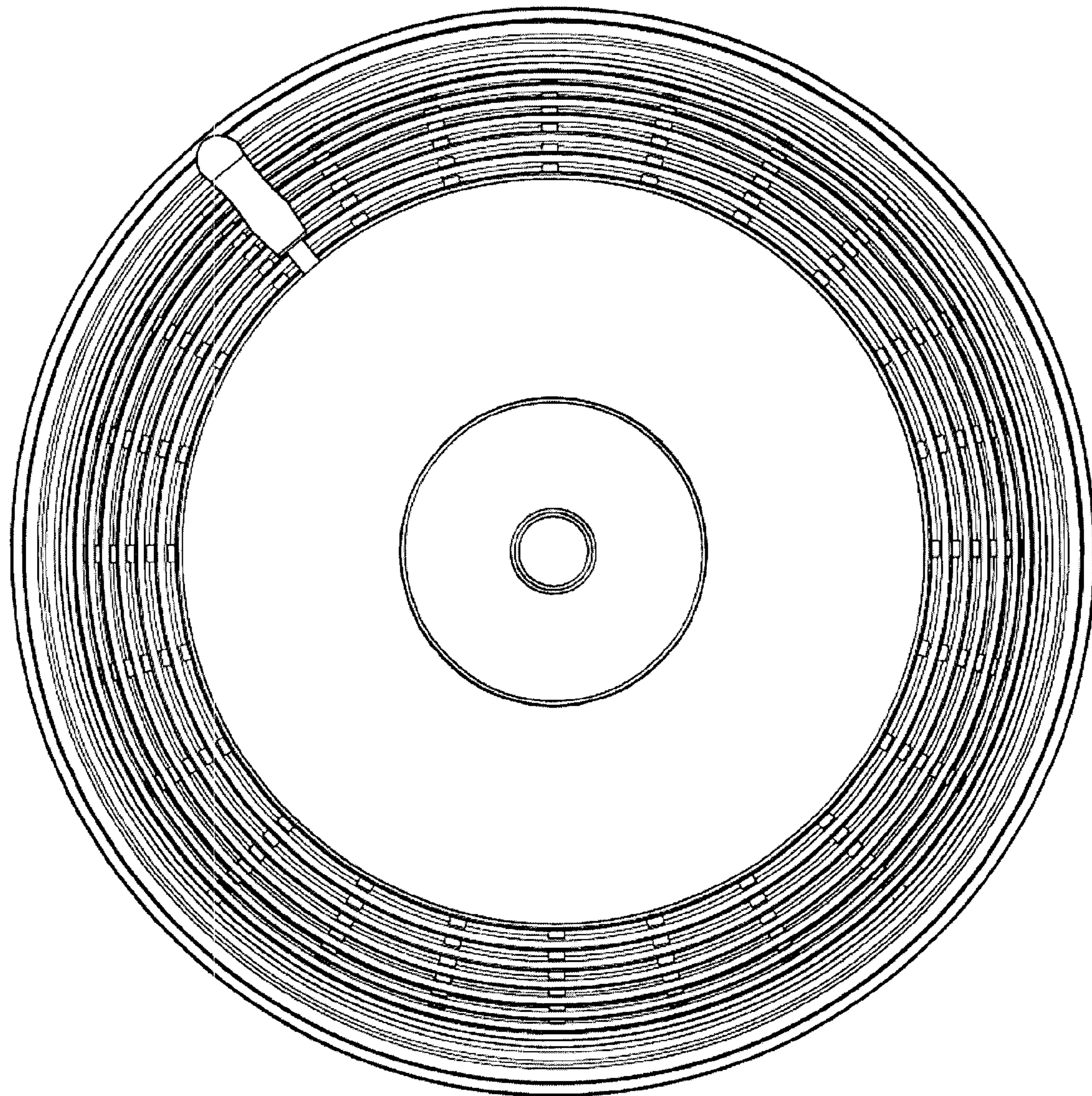


FIG. 7