



US00D530983S

(12) **United States Design Patent**
Krieger et al.

(10) **Patent No.:** **US D530,983 S**

(45) **Date of Patent:** **** Oct. 31, 2006**

(54) **BACKSEAT COOLER/WARMER ORGANIZER**

(75) Inventors: **Michael Krieger**, Miami Beach, FL (US); **Kevin Ellsworth**, Alva, FL (US)

(73) Assignee: **Vector Products, Inc.**, Ft. Lauderdale, FL (US)

(**) Term: **14 Years**

(21) Appl. No.: **29/235,826**

(22) Filed: **Aug. 8, 2005**

(51) **LOC (8) Cl.** **07-07**

(52) **U.S. Cl.** **D7/605; D12/416**

(58) **Field of Classification Search** D7/605-608; D3/216, 273, 274, 278, 283, 303; D12/416, D12/423; 62/457.1-457.7, 371, 372; 220/915.1, 220/915.2; 224/275-277, 400, 539, 572; 297/188.04-188.07

See application file for complete search history.

(56) **References Cited**

U.S. PATENT DOCUMENTS

D236,856 S * 9/1975 Miller D7/605
D256,630 S * 9/1980 Maney D7/605

D324,953 S * 3/1992 Swanner D3/303
D389,115 S * 1/1998 Alves et al. D12/416
D419,520 S * 1/2000 Bergh D12/416
D430,534 S * 9/2000 Golenz D12/416
D506,434 S * 6/2005 Ling D12/416

* cited by examiner

Primary Examiner—Terry A. Wallace

(74) *Attorney, Agent, or Firm*—Venable LLP; Robert Kinberg; Manni Li

(57) **CLAIM**

The ornamental design for a backseat cooler/warmer organizer, as shown and described.

DESCRIPTION

FIG. 1 is a perspective view from the front-top-left side of the backseat cooler/warmer organizer showing our new design;

FIG. 2 is a front view of the design shown in FIG. 1;

FIG. 3 is a rear view of the design shown in FIG. 1;

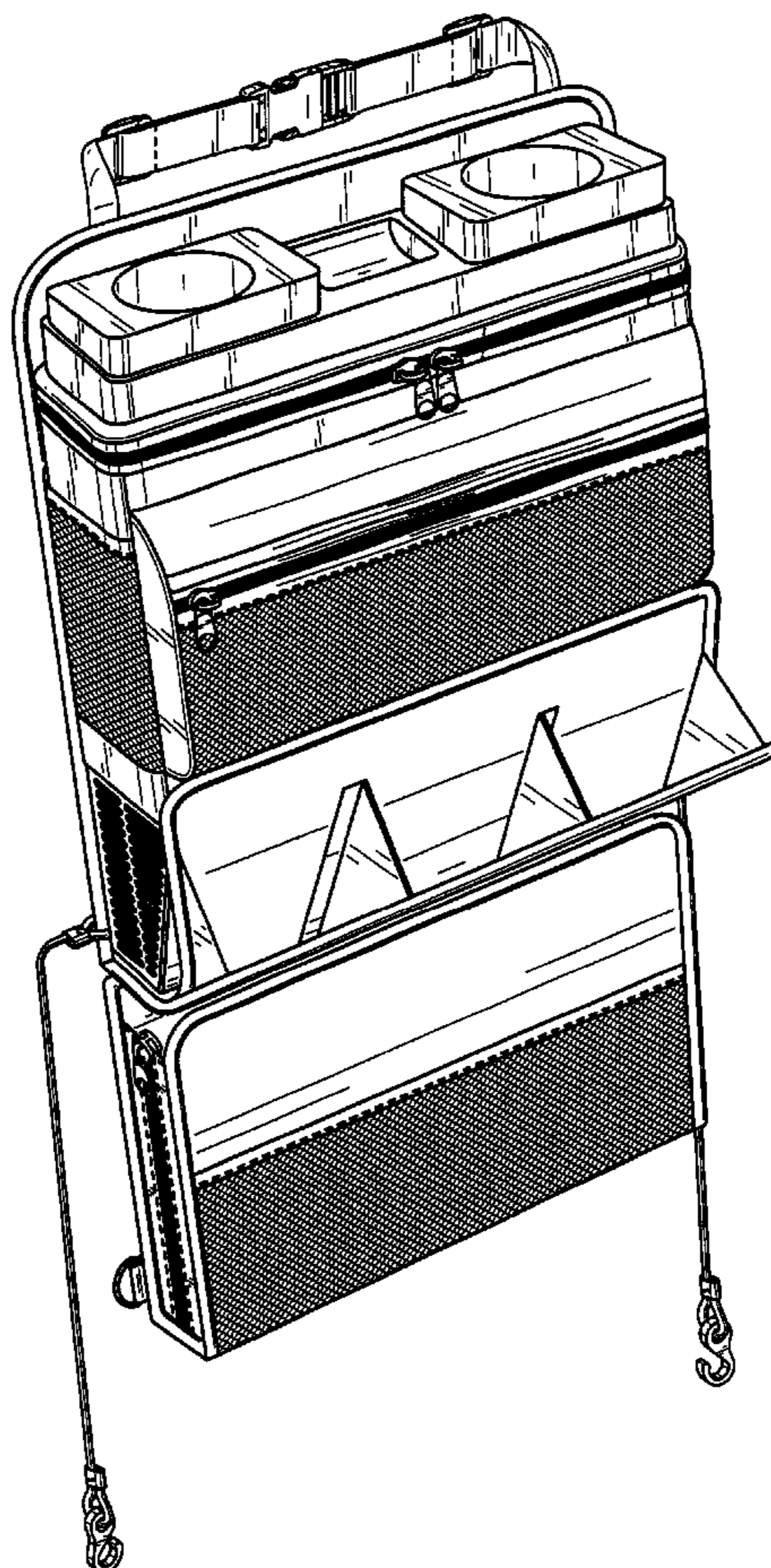
FIG. 4 is a left side view of the design shown in FIG. 1;

FIG. 5 is a right side view of the design shown in FIG. 1;

FIG. 6 is a top view of the design shown in FIG. 1; and,

FIG. 7 is a bottom view of the design shown in FIG. 1.

1 Claim, 7 Drawing Sheets



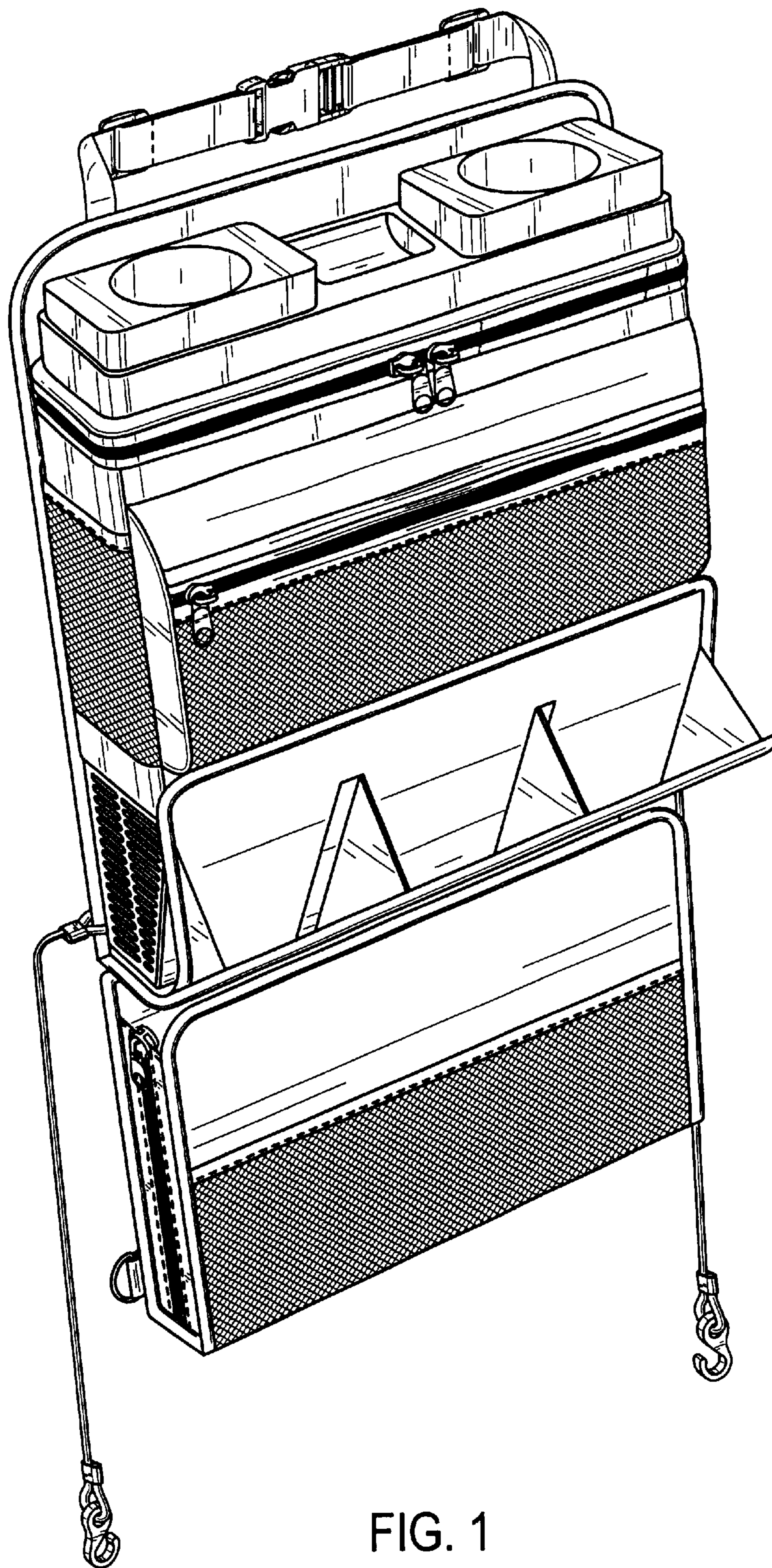


FIG. 1

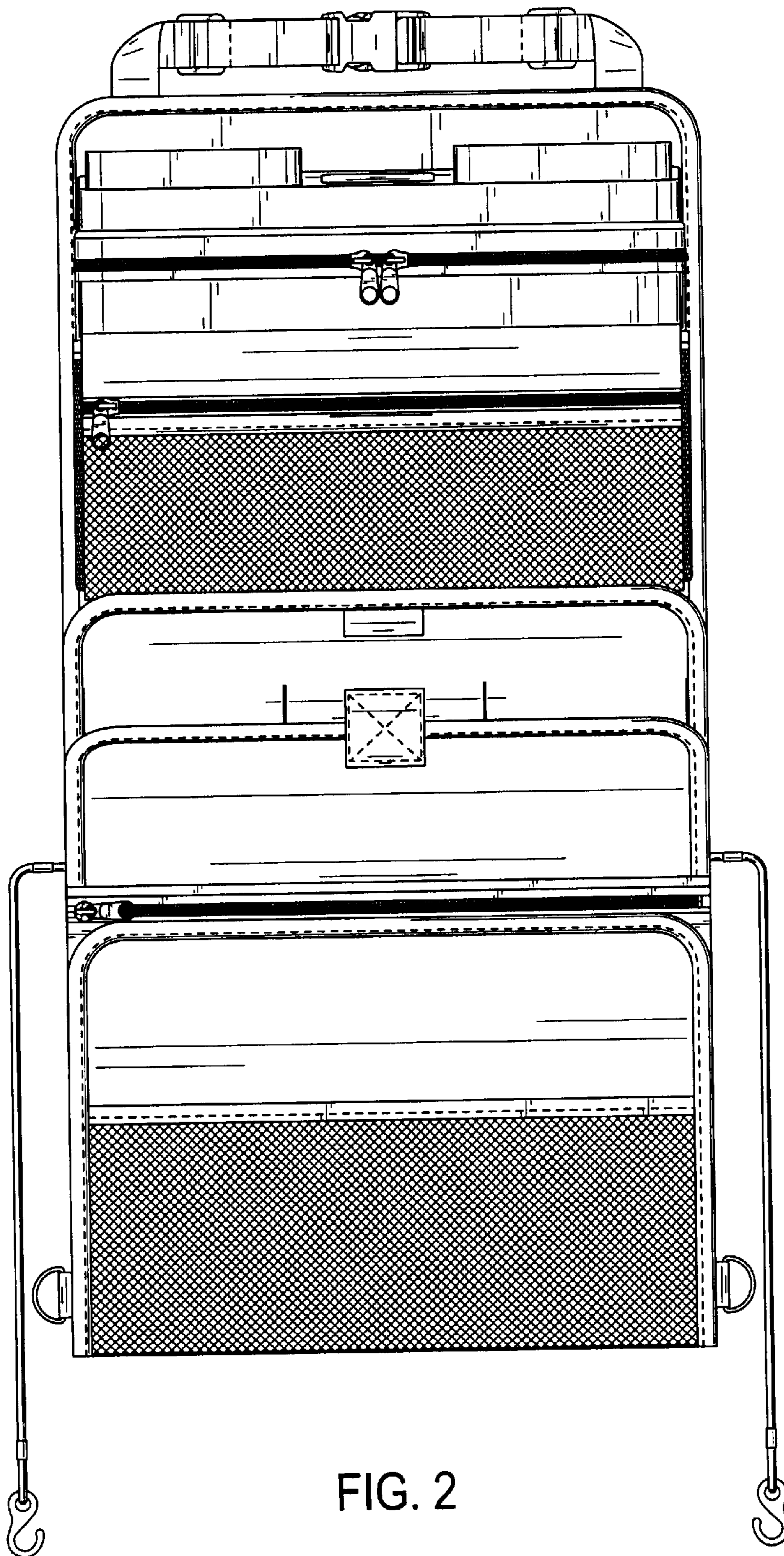


FIG. 2

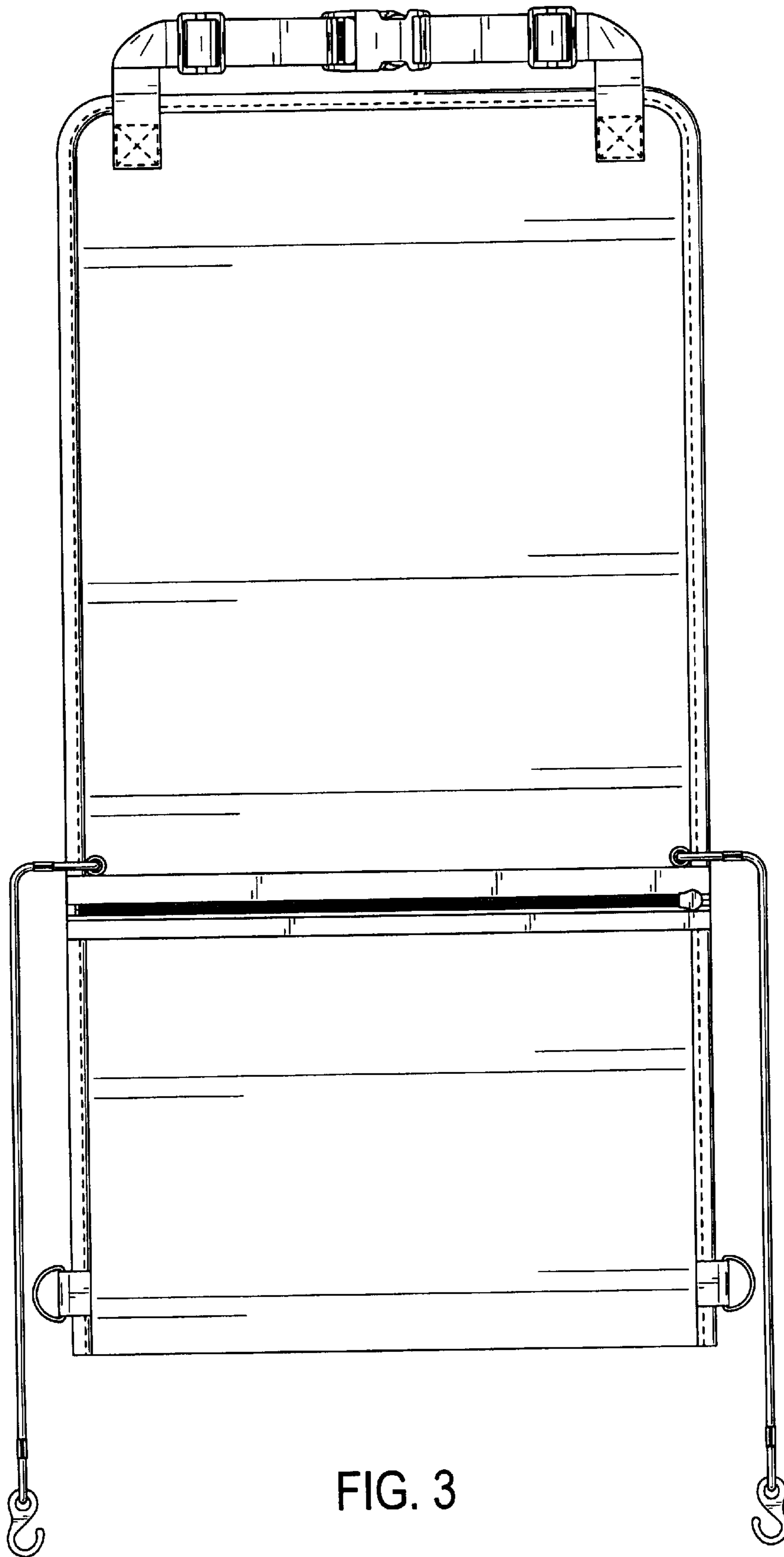


FIG. 3

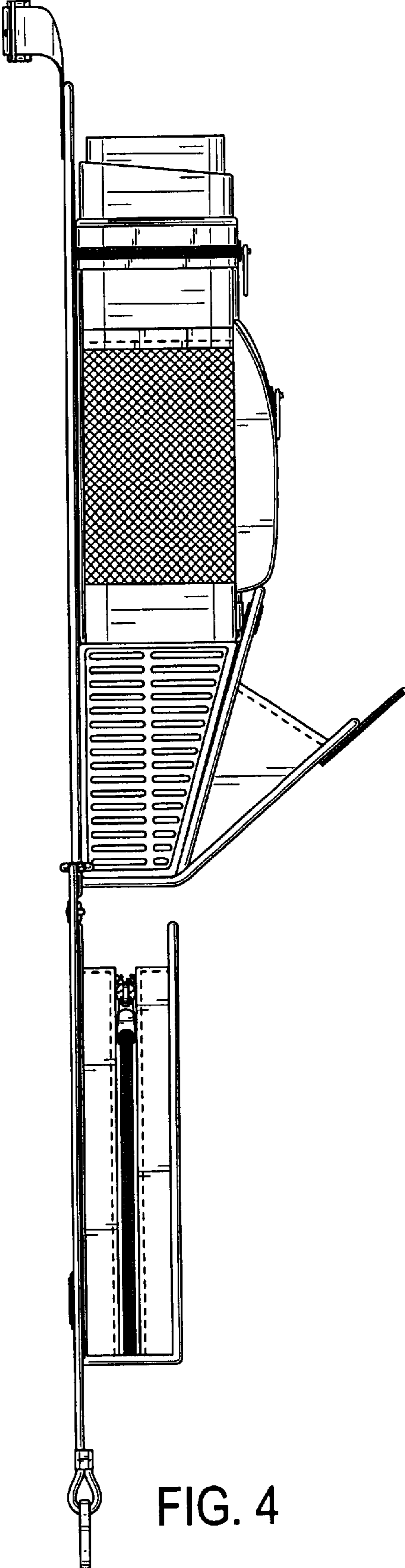


FIG. 4

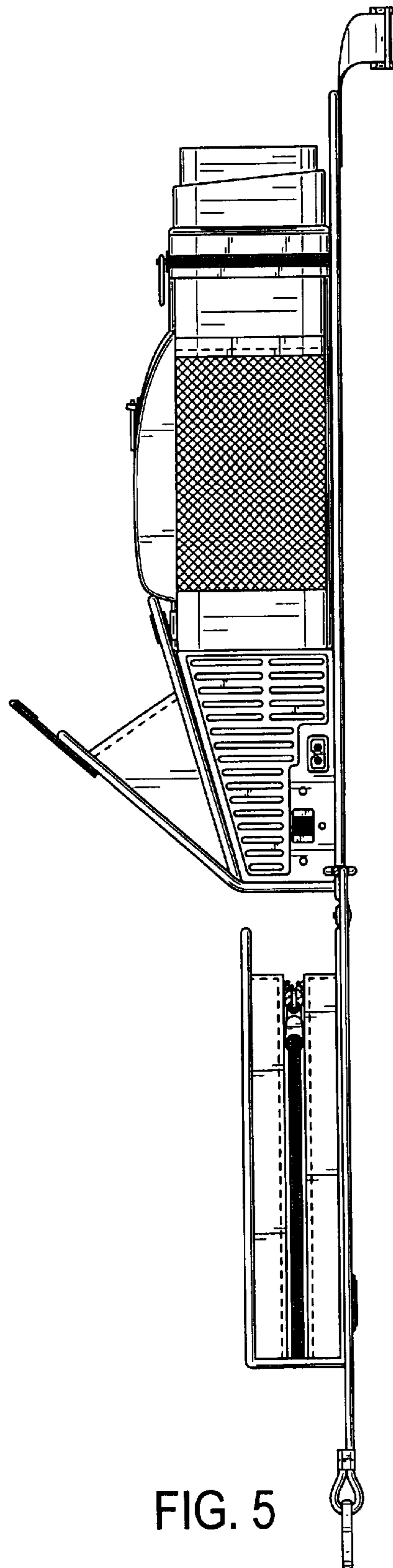


FIG. 5

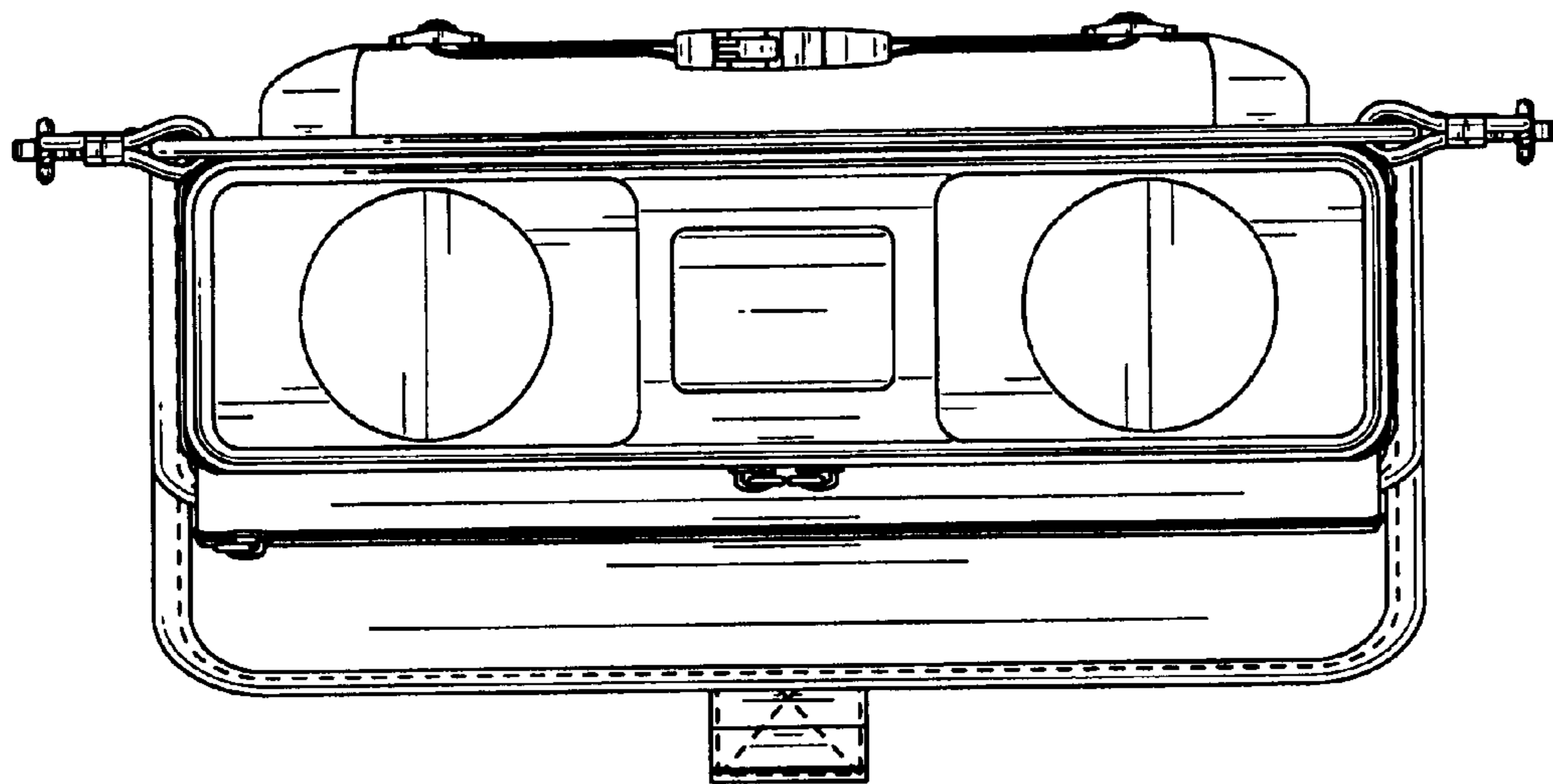


FIG. 6

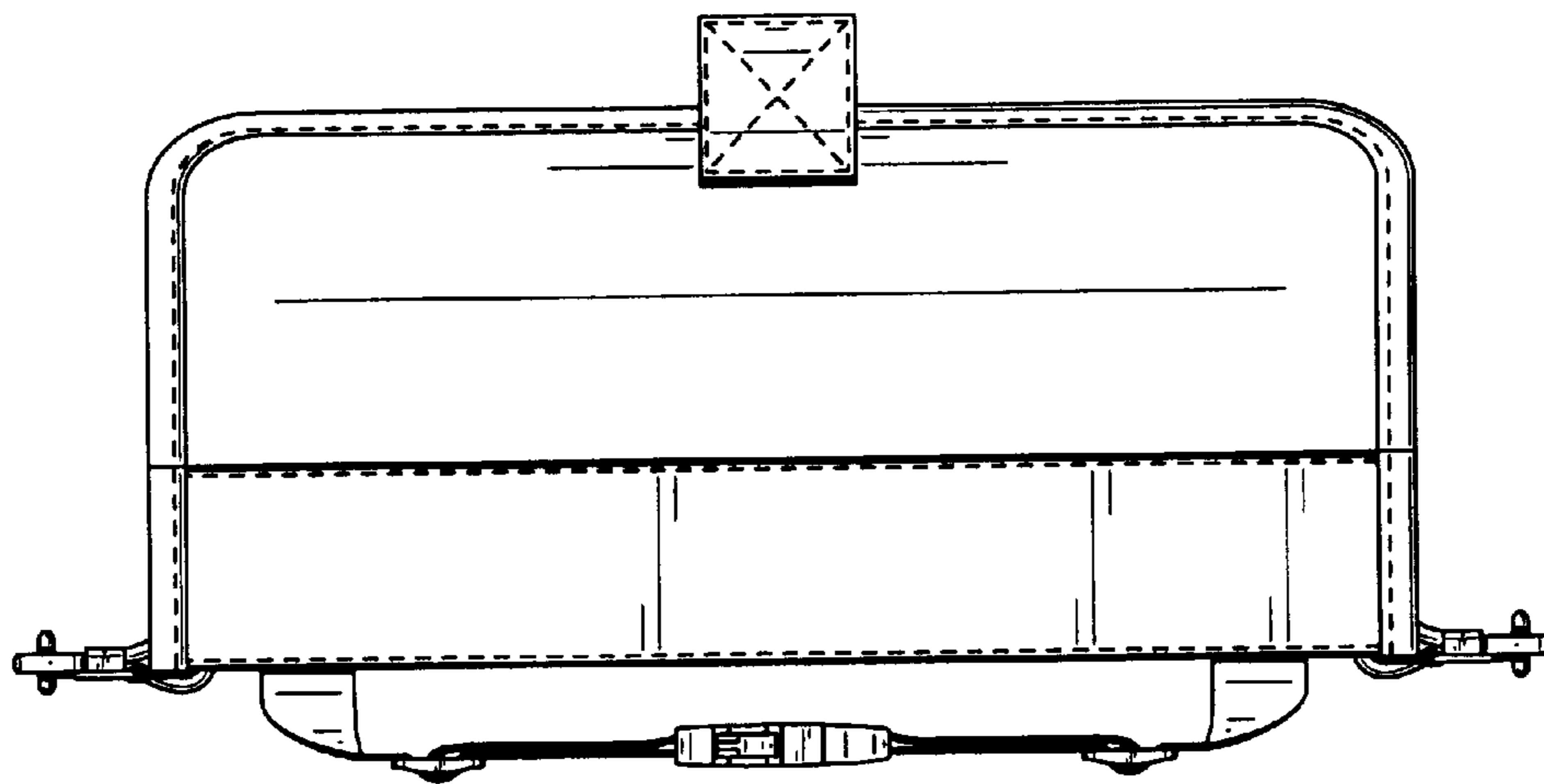


FIG. 7