



US00D530975S

(12) **United States Design Patent** (10) **Patent No.:** **US D530,975 S**  
**Fernandez** (45) **Date of Patent:** **\*\* Oct. 31, 2006**

(54) **BLENDER DEVICE**  
(75) Inventor: **Juan Fernandez**, Towaco, NJ (US)  
(73) Assignee: **Products of Tomorrow, Inc.**, Towaco, NJ (US)  
(\*\*) Term: **14 Years**  
(21) Appl. No.: **29/204,168**  
(22) Filed: **Apr. 26, 2004**  
(51) **LOC (8) Cl.** ..... **31-00**  
(52) **U.S. Cl.** ..... **D7/378**  
(58) **Field of Classification Search** ..... D7/306, D7/309, 311, 376-386, 412, 413, 415, 409, D7/523, 529, 530; 99/348, 509-511; 241/30, 241/33, 37.5, 101.01, 101.1, 101.2, 282.2, 241/285.1, 285.2, 301; 366/64, 65, 129, 197-214, 366/219, 241-254, 314, 341, 349  
See application file for complete search history.

GB 2062645 \* 7/1996  
KP 10-0263732D 5/2000  
KP 20-0202865D 8/2000  
KP 10-0323245D 1/2002

**OTHER PUBLICATIONS**

Hong Kong Enterprise Product Magazine, Mar. 2001 depicting a blender manufactured by the Wing Cheong Product Manufacturing Company.  
Page from good Korea Magazine showing several blenders. Photo showing a blender offered by the Baek Jin Company (KONSTER).  
Multi-purpose Mini Hand Mixer, showing the Kiss Mixer product.  
Kalyx website printout, VitaMinder Power Mixer, www.kalyx.com.  
QVC website printout: Tornado Mixer, www.qvc.com.  
Goodman's Website Print out, www.goodmans.net showing the insta-blend blender product.  
PersonalBlender website printout, www.personal blender.com.

(56) **References Cited**

**U.S. PATENT DOCUMENTS**

2,920,875 A \* 1/1960 Marfuggi ..... 366/197  
D195,073 S \* 4/1963 Freedman ..... D7/378  
3,627,008 A \* 12/1971 Samuelian ..... 241/199.12  
3,704,864 A \* 12/1972 Lee ..... 366/205  
D233,929 S \* 12/1974 Yuen ..... D7/376  
D372,835 S \* 8/1996 Leverrier ..... D7/372  
5,636,923 A \* 6/1997 Nejat-Bina ..... 366/205  
5,645,346 A \* 7/1997 Thuna ..... 366/205  
5,720,552 A \* 2/1998 Schindlegger ..... 366/197  
D423,872 S \* 5/2000 Blaise ..... D7/378  
6,398,403 B1 \* 6/2002 Rebordosa et al. .... 366/129  
D487,668 S 3/2004 Sands  
6,758,592 B1 7/2004 Wulf  
6,796,705 B1 \* 9/2004 Khubani ..... 366/197

(Continued)

**FOREIGN PATENT DOCUMENTS**

CN 3241679D 6/2002  
CN ZLO1341709.6 7/2002  
CN ZL03326811.8 1/2003

*Primary Examiner*—Cathron C. Brooks  
*Assistant Examiner*—Ricky Pham  
(74) *Attorney, Agent, or Firm*—Lerner, David, Littenberg, Krumholz & Mentlik, LLP

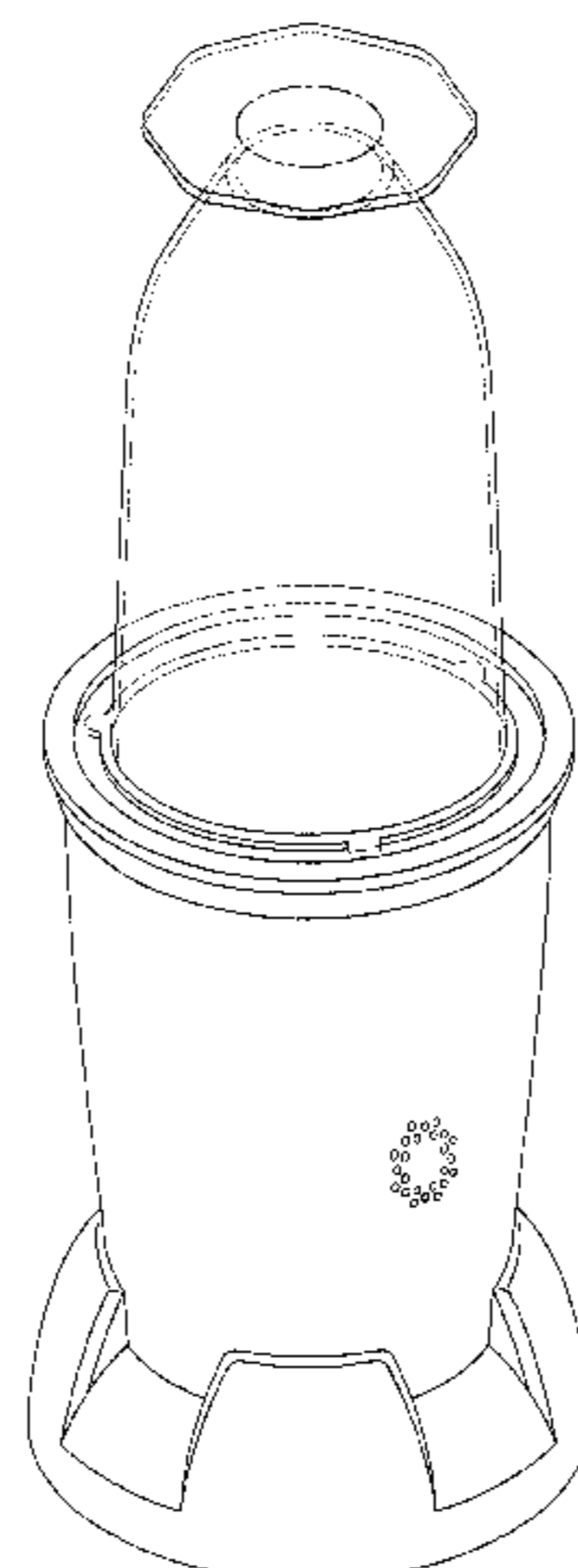
(57) **CLAIM**

The ornamental design for a blender device, as shown and described.

**DESCRIPTION**

FIG. 1 is a perspective view of a blender device showing my new design;  
FIG. 2 is a rear elevational view thereof; the front and side elevational views being a mirror image, except for the absence of the vent holes; and,  
FIG. 3 is a bottom plan view.  
The broken lines showing the threading at the top of the blender, the three protrusions from the rim at the middle, and the feet at the base are for illustrative purposes only and form no part of the claimed design.

**1 Claim, 3 Drawing Sheets**



**US D530,975 S**

Page 2

---

U.S. PATENT DOCUMENTS  
6,817,750 B1 \* 11/2004 Sands ..... 366/205  
D499,603 S \* 12/2004 Nikkhah ..... D7/378  
D501,756 S \* 2/2005 Nikkhah ..... D7/413  
D501,759 S \* 2/2005 Sands ..... D7/536  
6,959,562 B1 \* 11/2005 Navedo et al. .... 62/320

6,962,432 B1 \* 11/2005 Hofeldt ..... 366/118  
2005/0047272 A1 \* 3/2005 Sands ..... 366/199  
2005/0068847 A1 \* 3/2005 Sands ..... 366/205  
2006/0007779 A1 \* 1/2006 Fernandez et al. .... 366/206

\* cited by examiner

FIG. 1

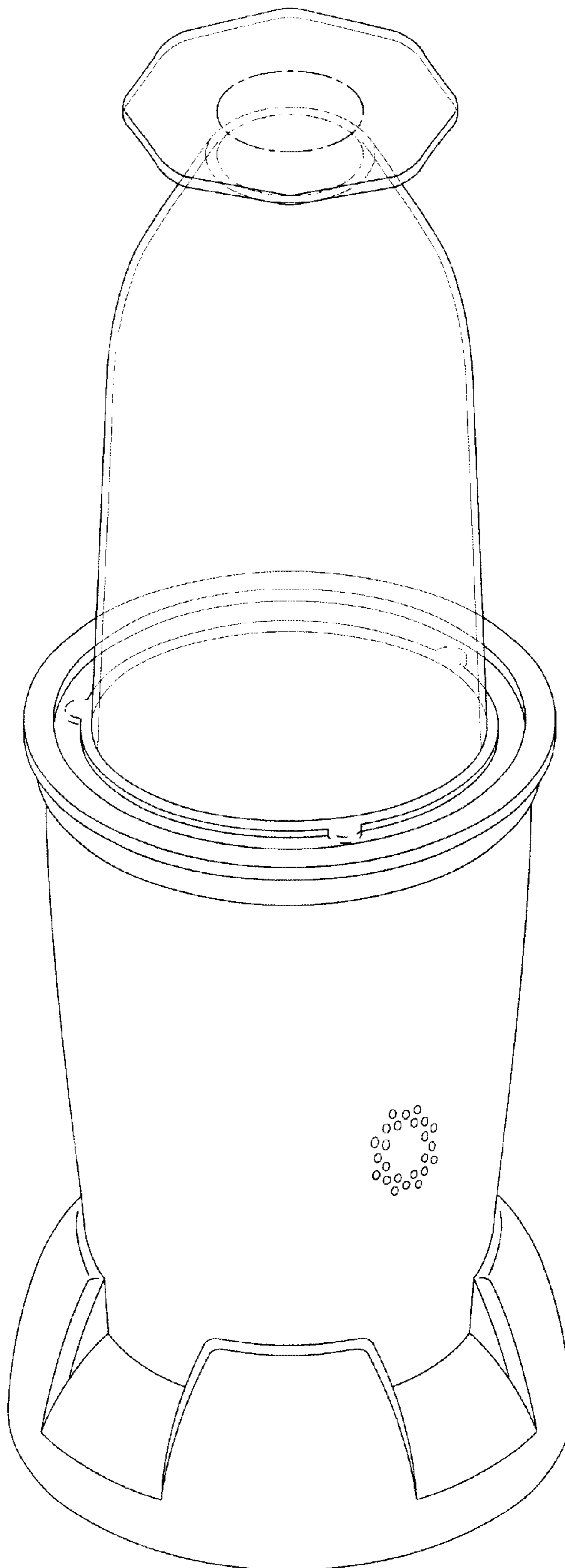


FIG. 2

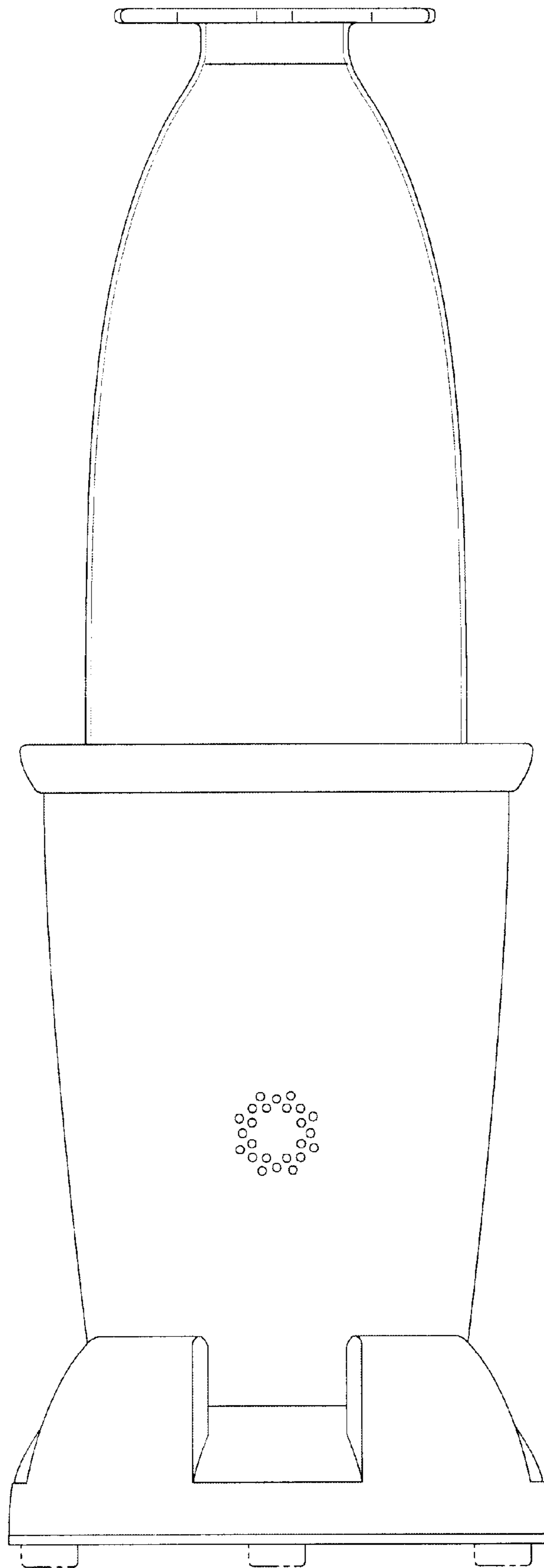


FIG. 3

