



US00D530974S

(12) **United States Design Patent**
Bergara

(10) **Patent No.:** **US D530,974 S**
(45) **Date of Patent:** **** Oct. 31, 2006**

(54) **PRESSURE COOKER**
(75) Inventor: **Anartz Bergara**, Lazkao (ES)
(73) Assignee: **Fagor, S. Coop.**, Mondragon (ES)
(**) Term: **14 Years**

D370,827 S * 6/1996 Combe D7/360
D388,279 S * 12/1997 Candianides D7/391
D445,631 S * 7/2001 Elorza D7/358
D453,661 S * 2/2002 Colletti D7/358
D461,093 S * 8/2002 Martinez D7/394
D491,011 S * 6/2004 Park D7/358

(21) Appl. No.: **29/229,046**
(22) Filed: **May 2, 2005**
(30) **Foreign Application Priority Data**

FOREIGN PATENT DOCUMENTS

GB 2031943 * 12/1942

* cited by examiner

Apr. 2, 2005 (EM) 000291026-0001

Primary Examiner—Caron D. Veynar
Assistant Examiner—Ricky Pham
(74) *Attorney, Agent, or Firm*—The Kline Law Firm

(51) **LOC (8) Cl.** **07-02**
(52) **U.S. Cl.** **D7/358**
(58) **Field of Classification Search** D7/323,
D7/354–361; 99/324, 325, 329 R, 330–339;
220/203.01, 203.07, 303, 573.1
See application file for complete search history.

(57) **CLAIM**

The ornamental design for a pressure cooker, as shown.

(56) **References Cited**

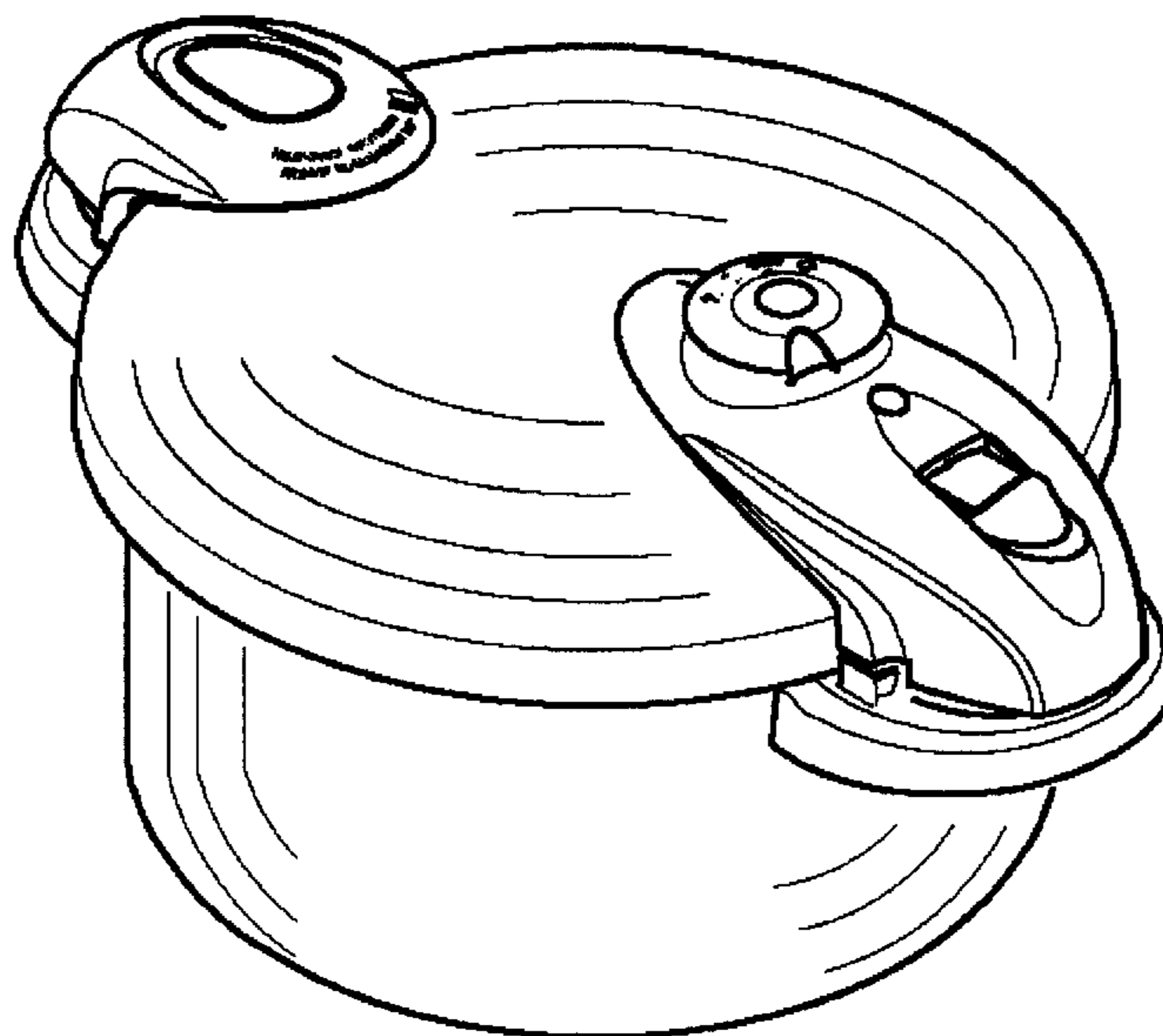
DESCRIPTION

U.S. PATENT DOCUMENTS

D192,257 S * 2/1962 Ebstein D7/393
D256,759 S * 9/1980 Johnson D7/358
D263,270 S * 3/1982 Pauty D7/358
D345,886 S * 4/1994 Gingele D7/360
D353,969 S * 1/1995 Savinel D7/358
D370,382 S * 6/1996 Combe D7/360

FIG. 1 is a front elevational view of a pressure cooker showing my new design.
FIG. 2 is a rear elevational view of the pressure cooker.
FIG. 3 is a right elevational view of the pressure cooker.
FIG. 4 is a left elevational view of the pressure cooker.
FIG. 5 is a top plan view of the pressure cooker.
FIG. 6 is a bottom plan view of the pressure cooker; and,
FIG. 7 is a perspective view of the pressure cooker.

1 Claim, 7 Drawing Sheets



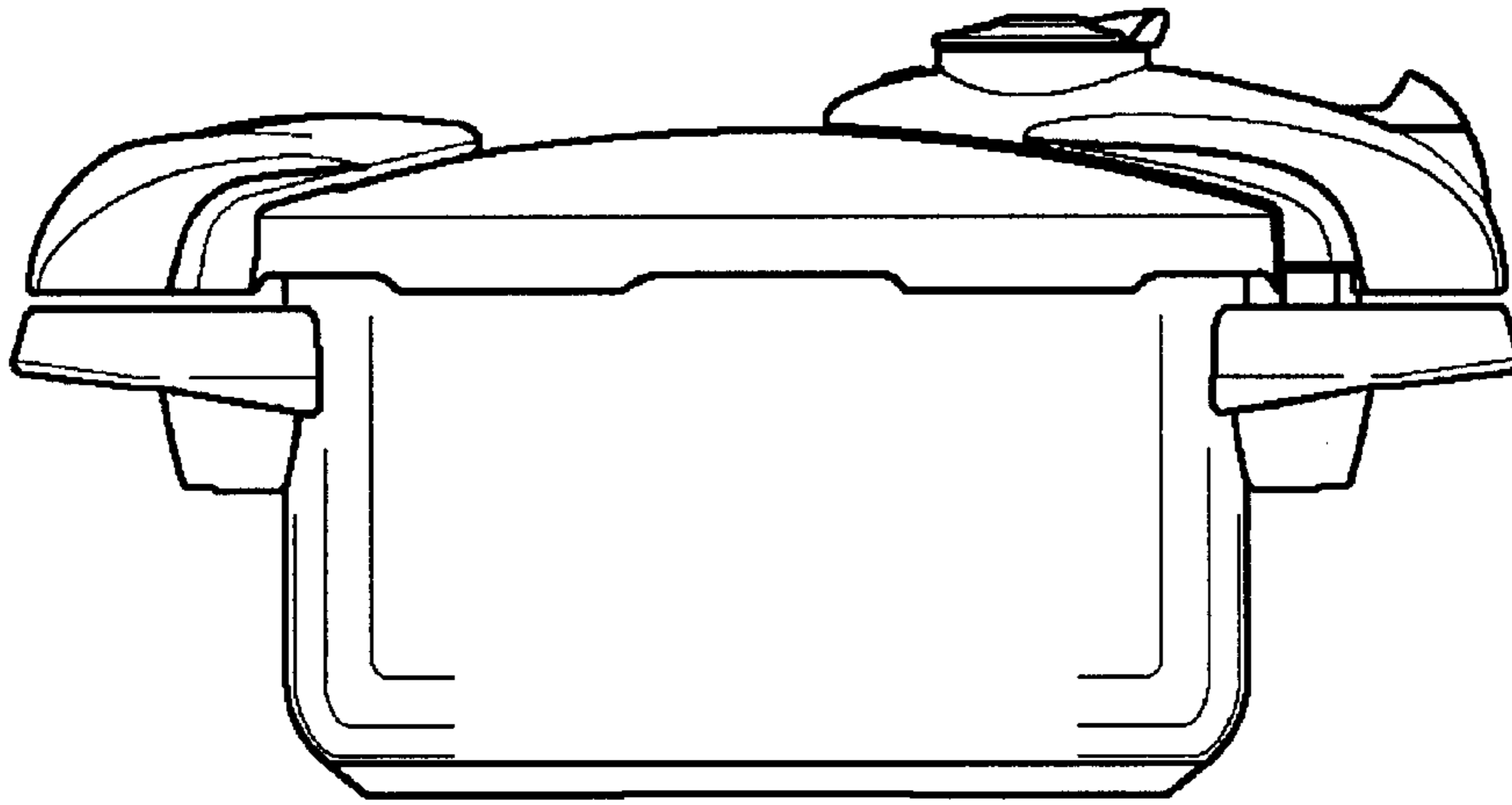


Fig. 1

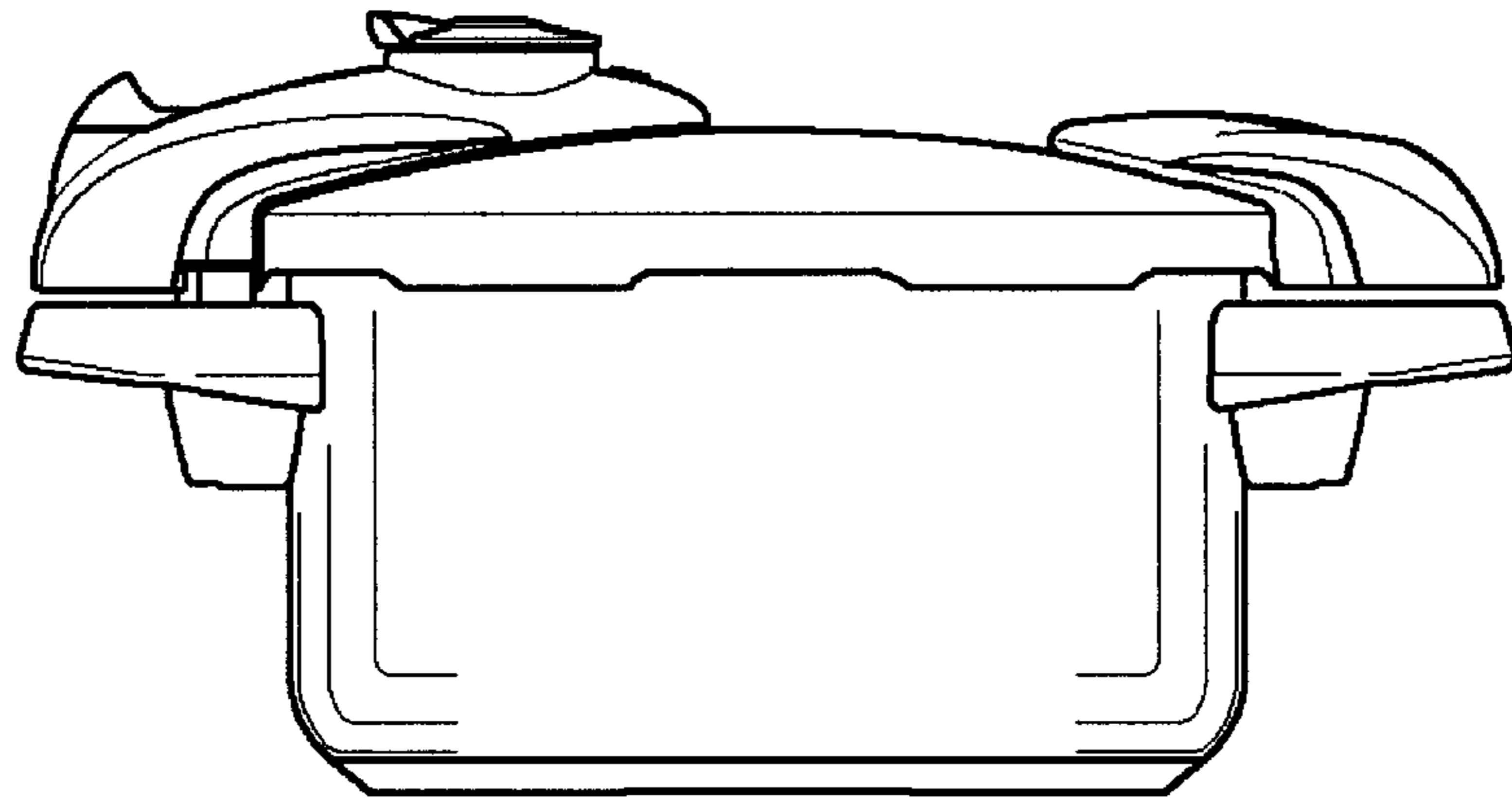


Fig. 2

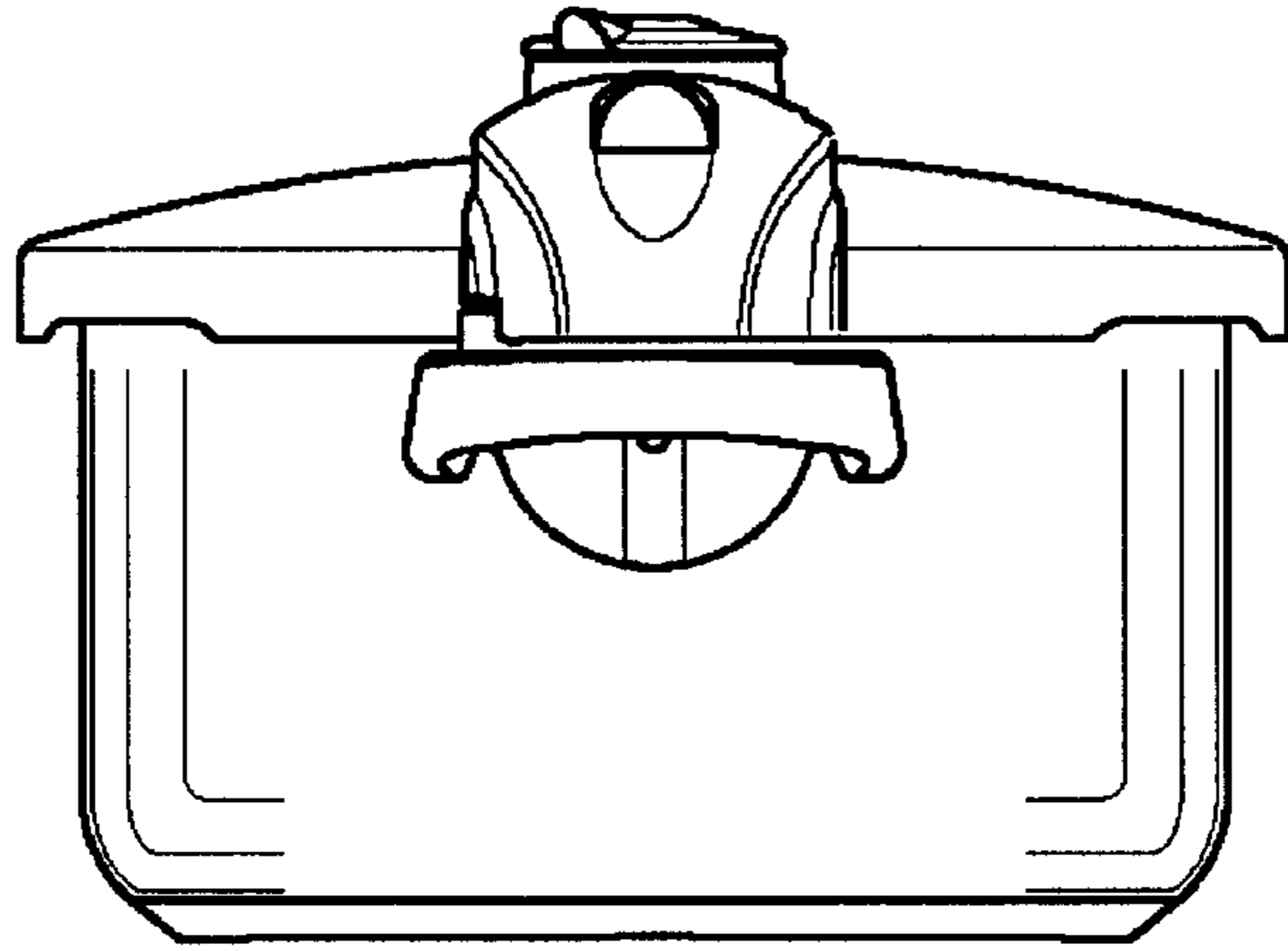


Fig. 3

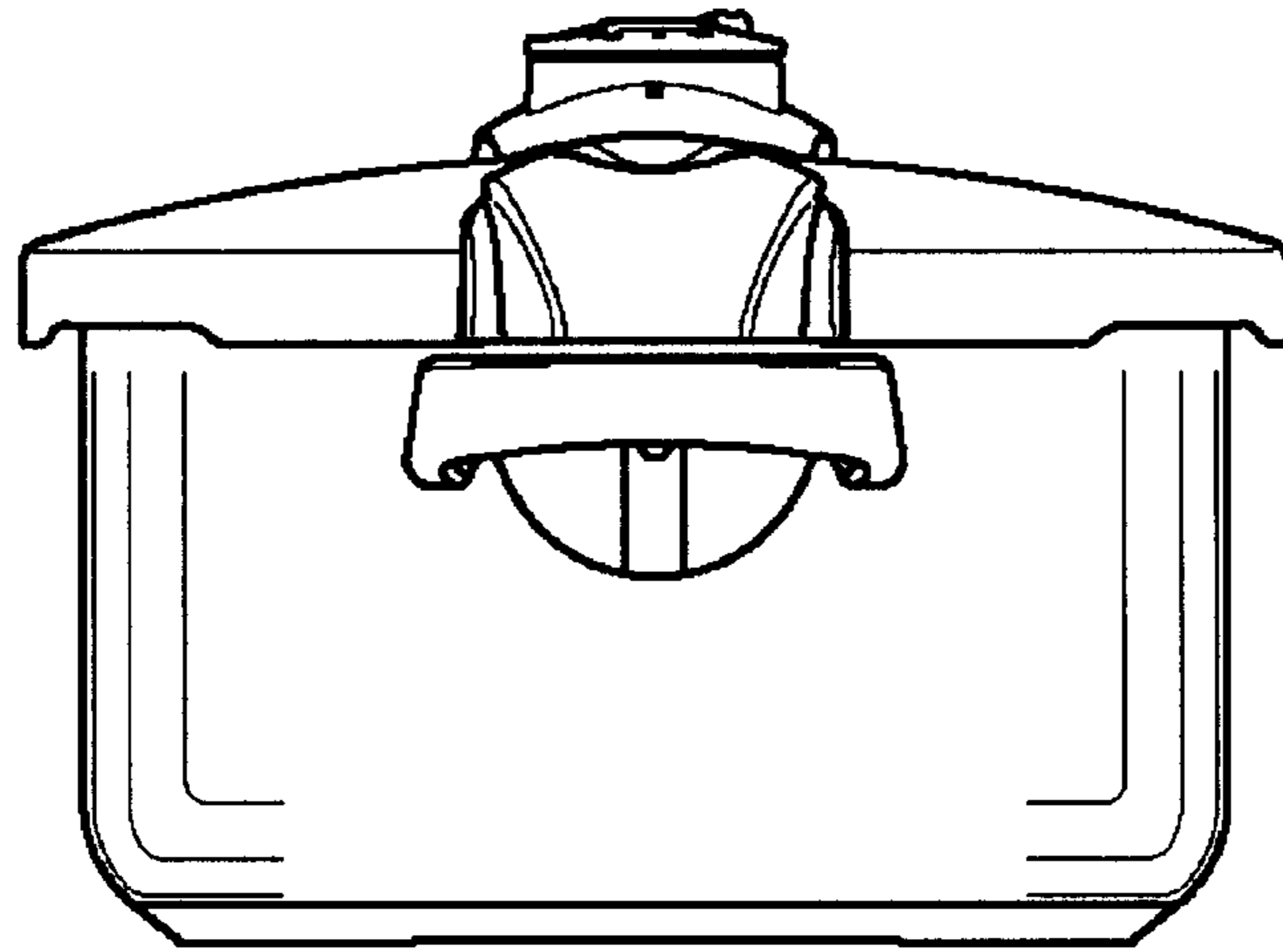


Fig. 4

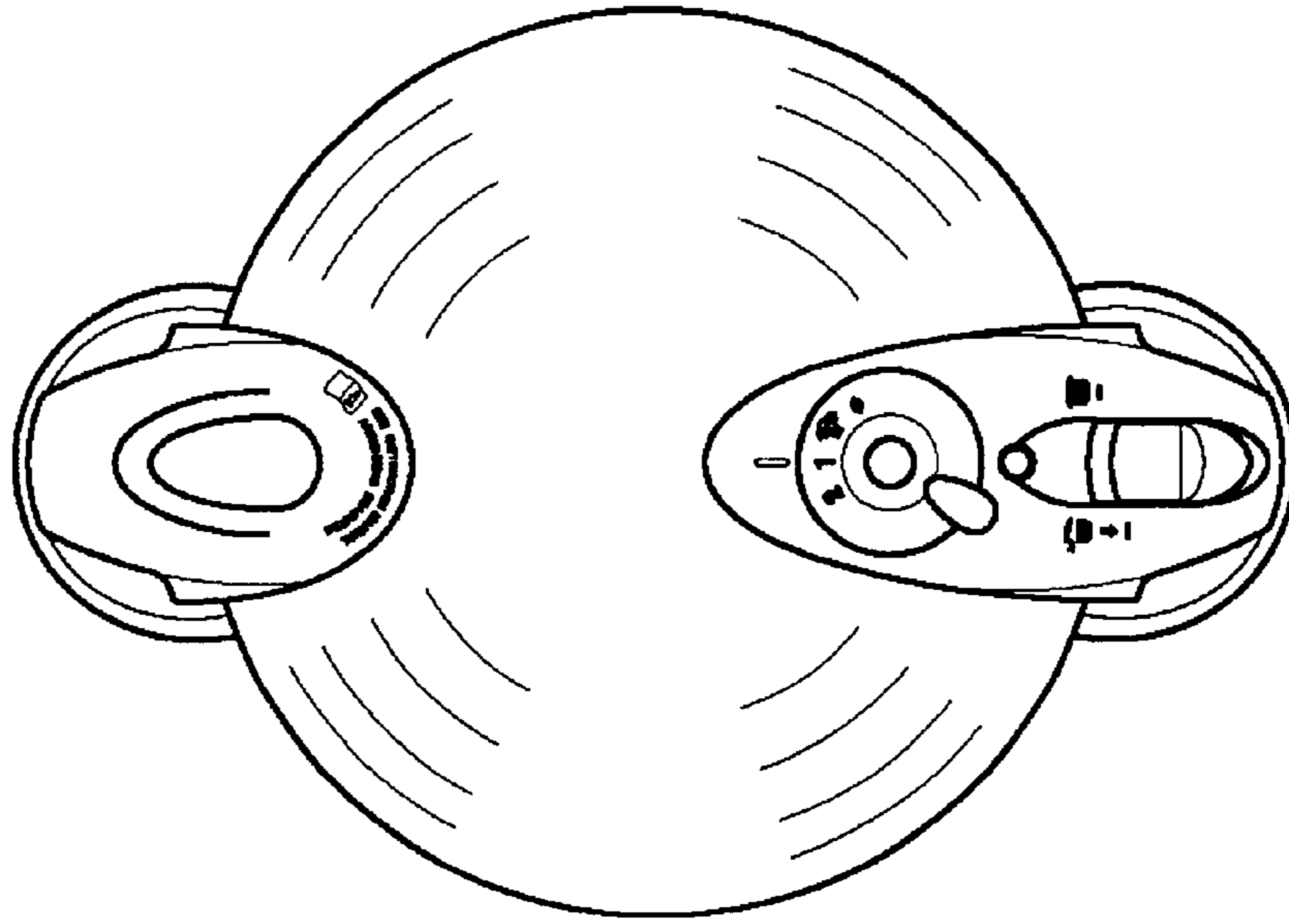


Fig. 5

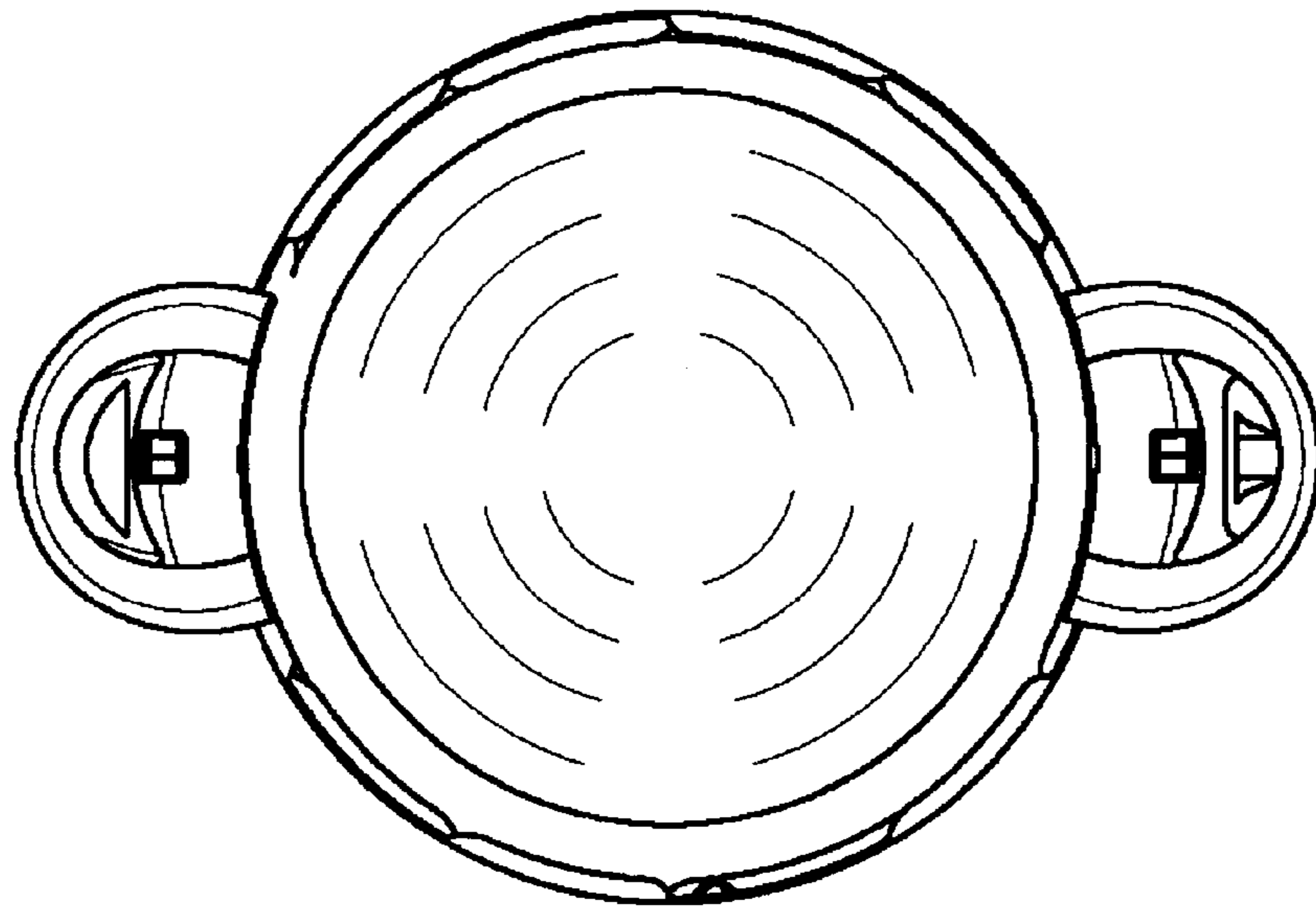


Fig. 6

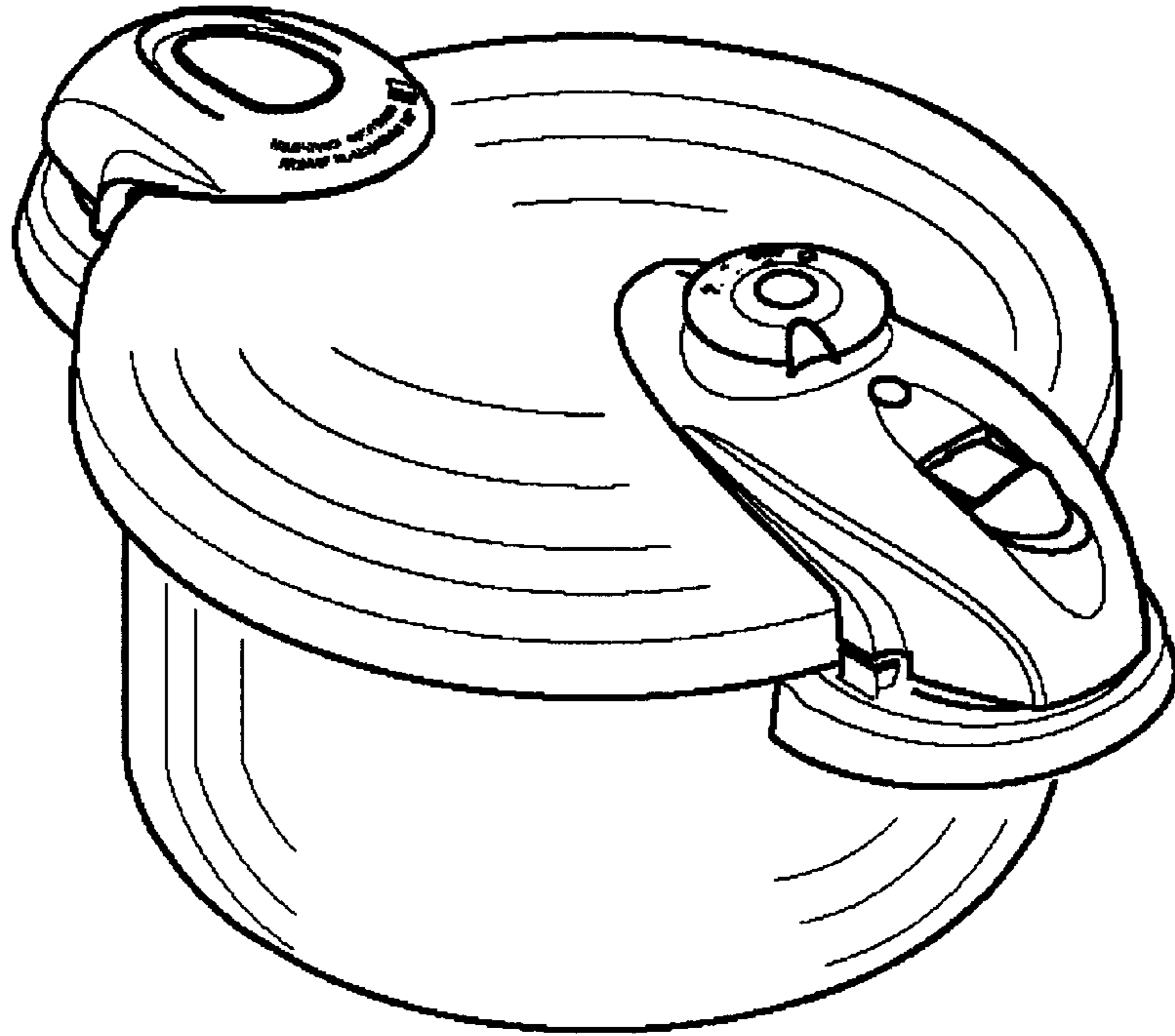


Fig. 7