



US00D530973S

(12) **United States Design Patent**  
**Lee et al.**

(10) **Patent No.:** **US D530,973 S**

(45) **Date of Patent:** **\*\* \*Oct. 31, 2006**

(54) **MICROWAVE OVEN**

(75) Inventors: **Mun Woo Lee**, Yongin-Si (KR); **Hyun Jung Hwang**, Guri-Si (KR)

(73) Assignee: **LG Electronics Inc.**, Seoul (KR)

(\* ) Notice: This patent is subject to a terminal disclaimer.

(\*\* ) Term: **14 Years**

(21) Appl. No.: **29/228,659**

(22) Filed: **Apr. 27, 2005**

(30) **Foreign Application Priority Data**

Oct. 29, 2004 (KR) ..... 30-2004-0033230

(51) **LOC (8) Cl.** ..... **07-02**

(52) **U.S. Cl.** ..... **D7/351**

(58) **Field of Classification Search** ..... D7/350.1, D7/350.2, 350.3, 350.4, 351, 402-403, 405-406; 126/19 M, 275 E, 273 A; 219/756-758, 391, 219/402, 393; 99/DIG. 14  
See application file for complete search history.

(56) **References Cited**

**U.S. PATENT DOCUMENTS**

D301,109 S \* 5/1989 Kawaishi ..... D7/351

D315,656 S \* 3/1991 Kim ..... D7/351  
D324,466 S \* 3/1992 Yamagami et al. .... D7/351  
D334,109 S \* 3/1993 Kim ..... D7/351  
D435,999 S \* 1/2001 Noda et al. .... D7/351  
D439,468 S \* 3/2001 Kim ..... D7/351  
D442,820 S \* 5/2001 Kim ..... D7/351  
D452,410 S \* 12/2001 Ichimura ..... D7/351

\* cited by examiner

*Primary Examiner*—Ruth McInroy  
(74) *Attorney, Agent, or Firm*—Birch, Stewart, Kolasch and Birch, LLP

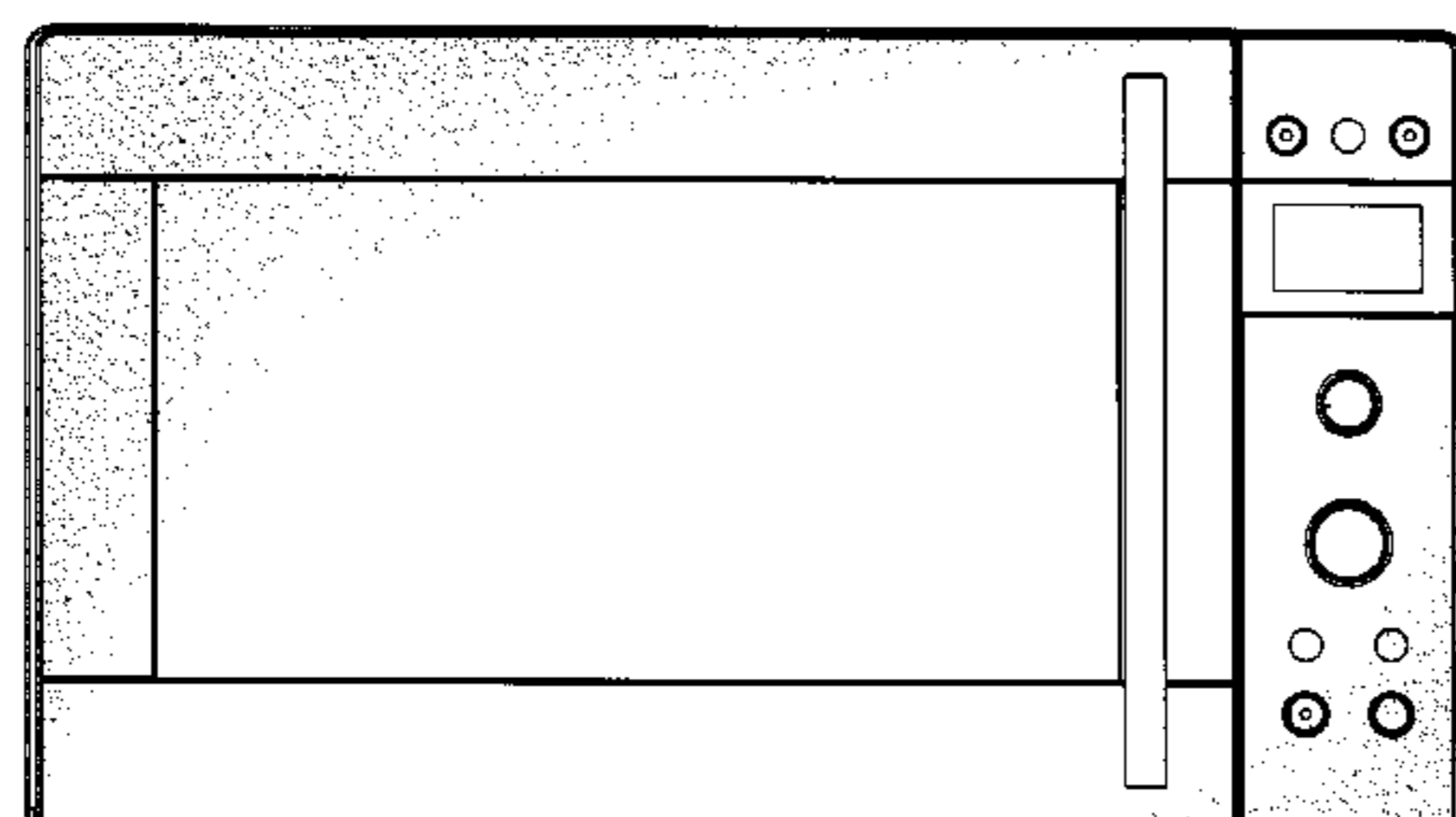
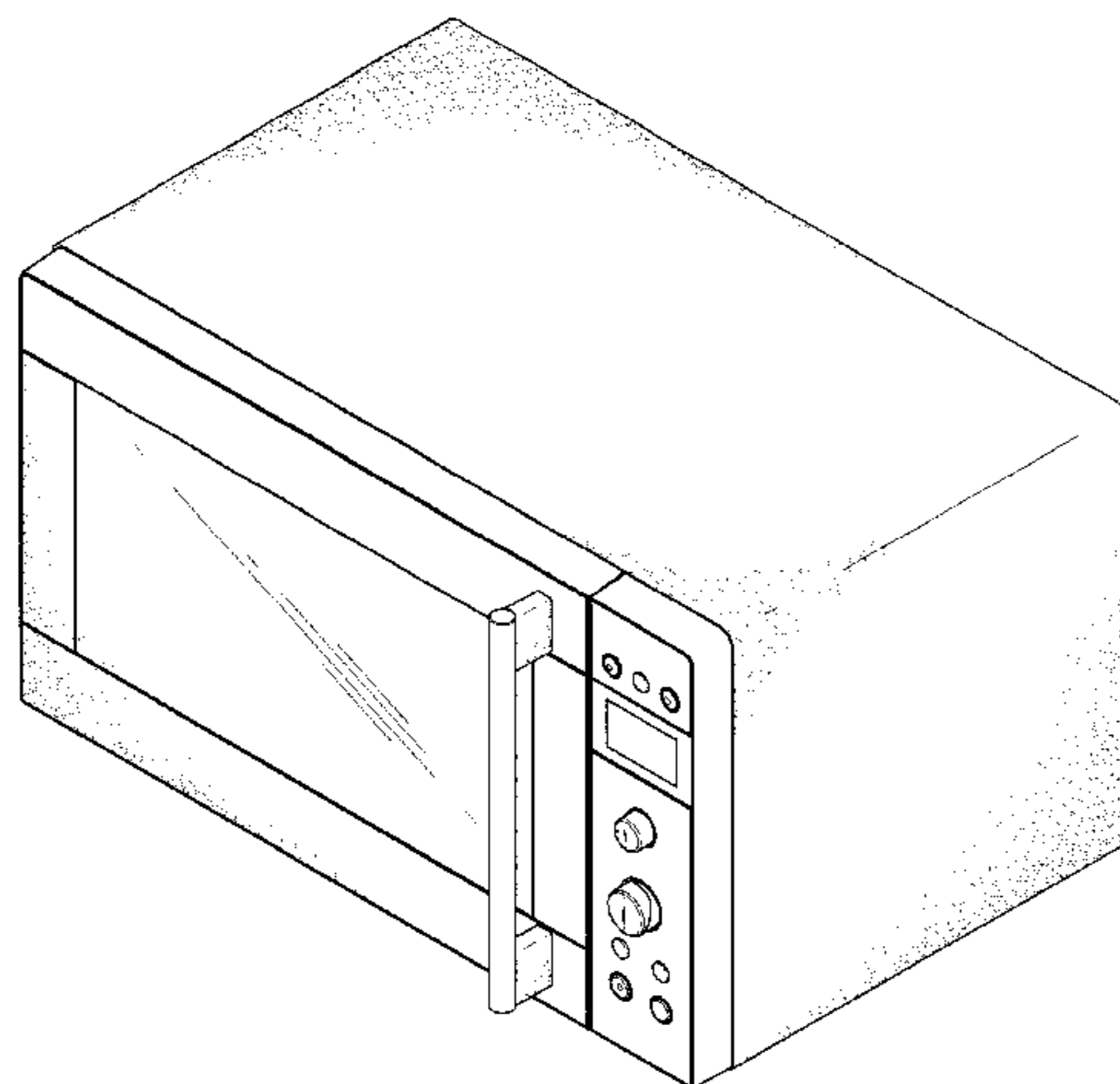
(57) **CLAIM**

The ornamental design for a microwave oven, as shown.

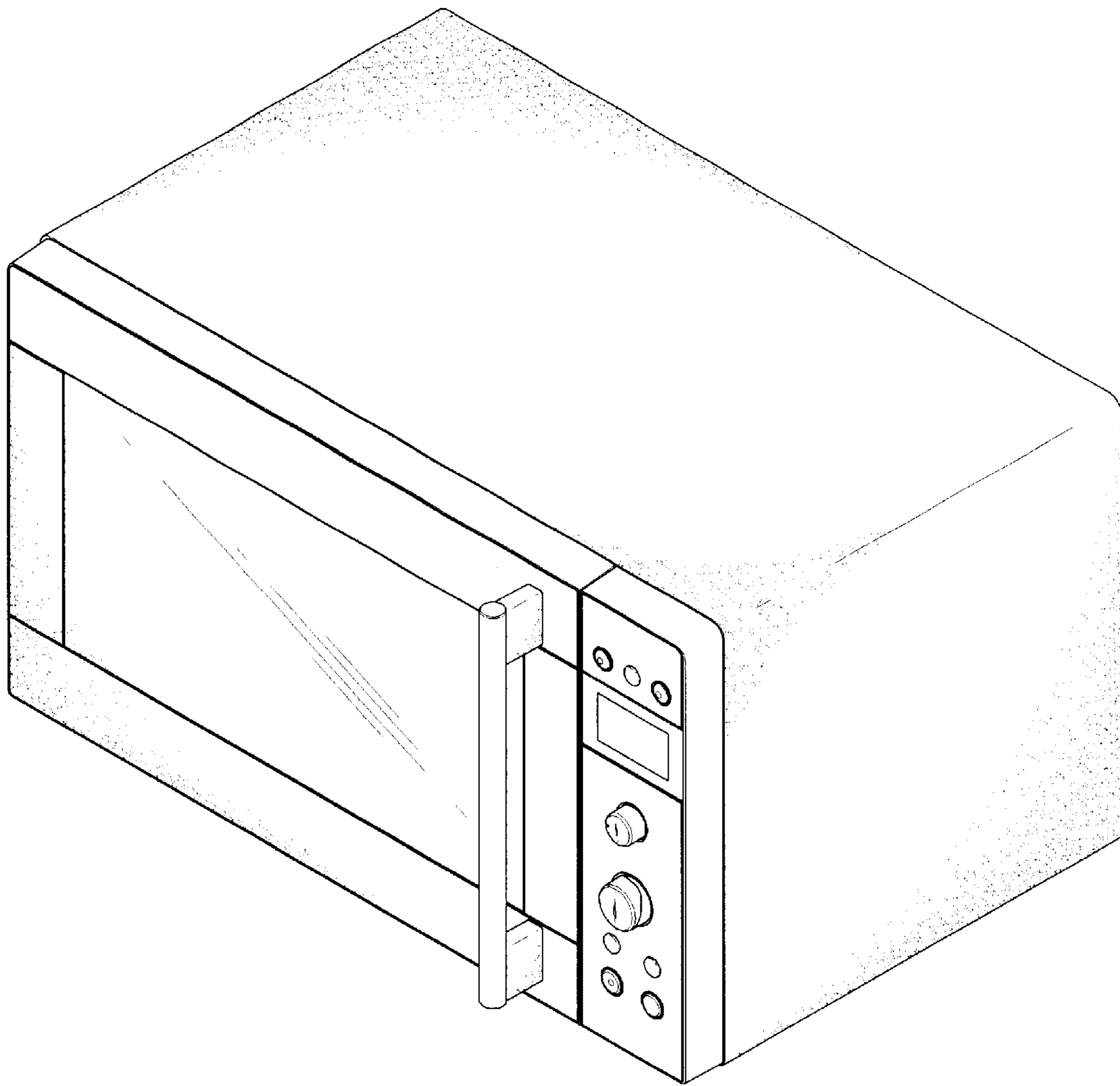
**DESCRIPTION**

FIG. 1 is a front, right perspective view of the microwave oven showing our new design;  
FIG. 2 is a front view thereof;  
FIG. 3 is a rear view thereof;  
FIG. 4 is a left side view thereof;  
FIG. 5 is a right side view thereof;  
FIG. 6 is a top view thereof; and,  
FIG. 7 is a bottom view thereof.

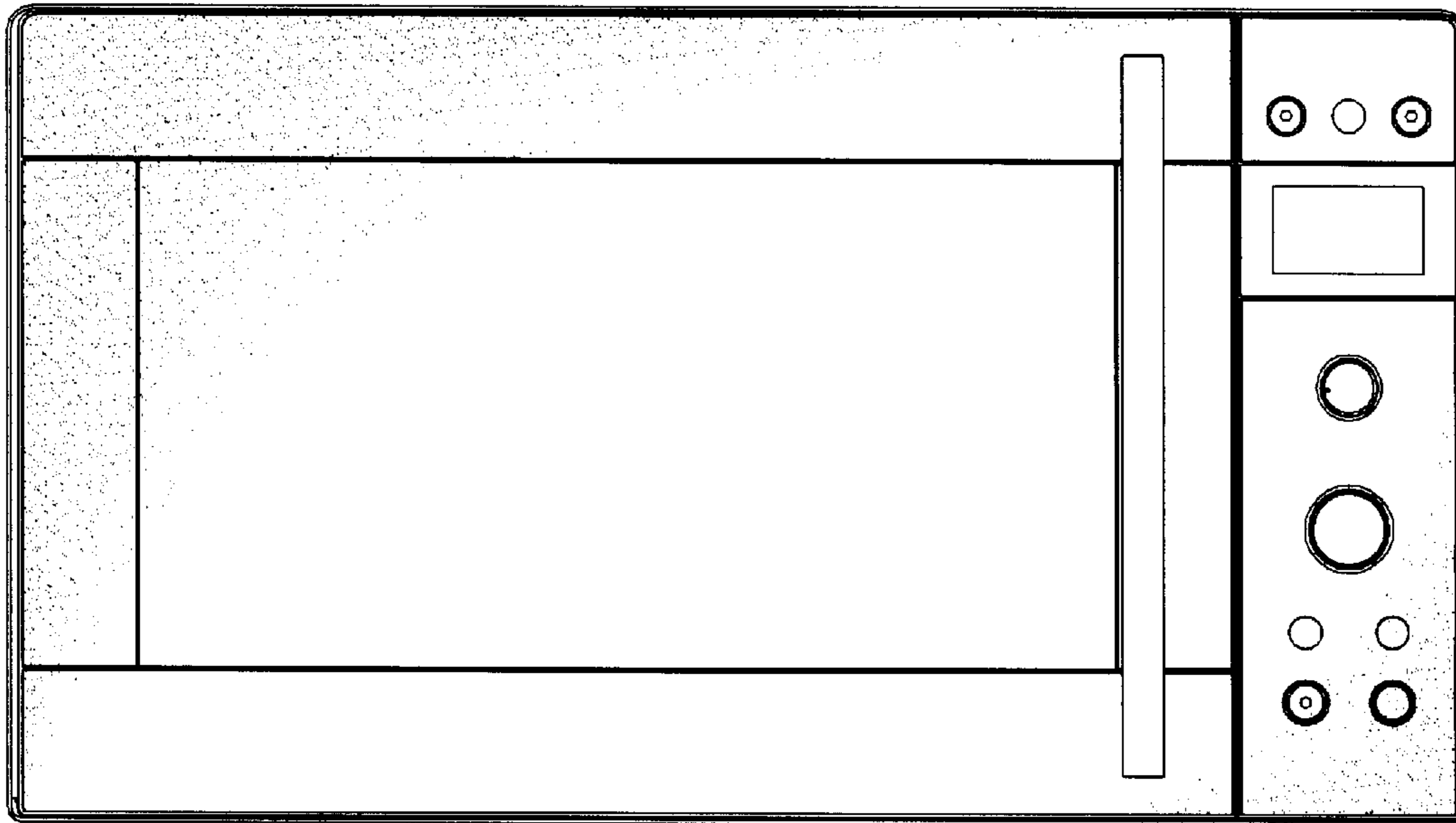
**1 Claim, 4 Drawing Sheets**



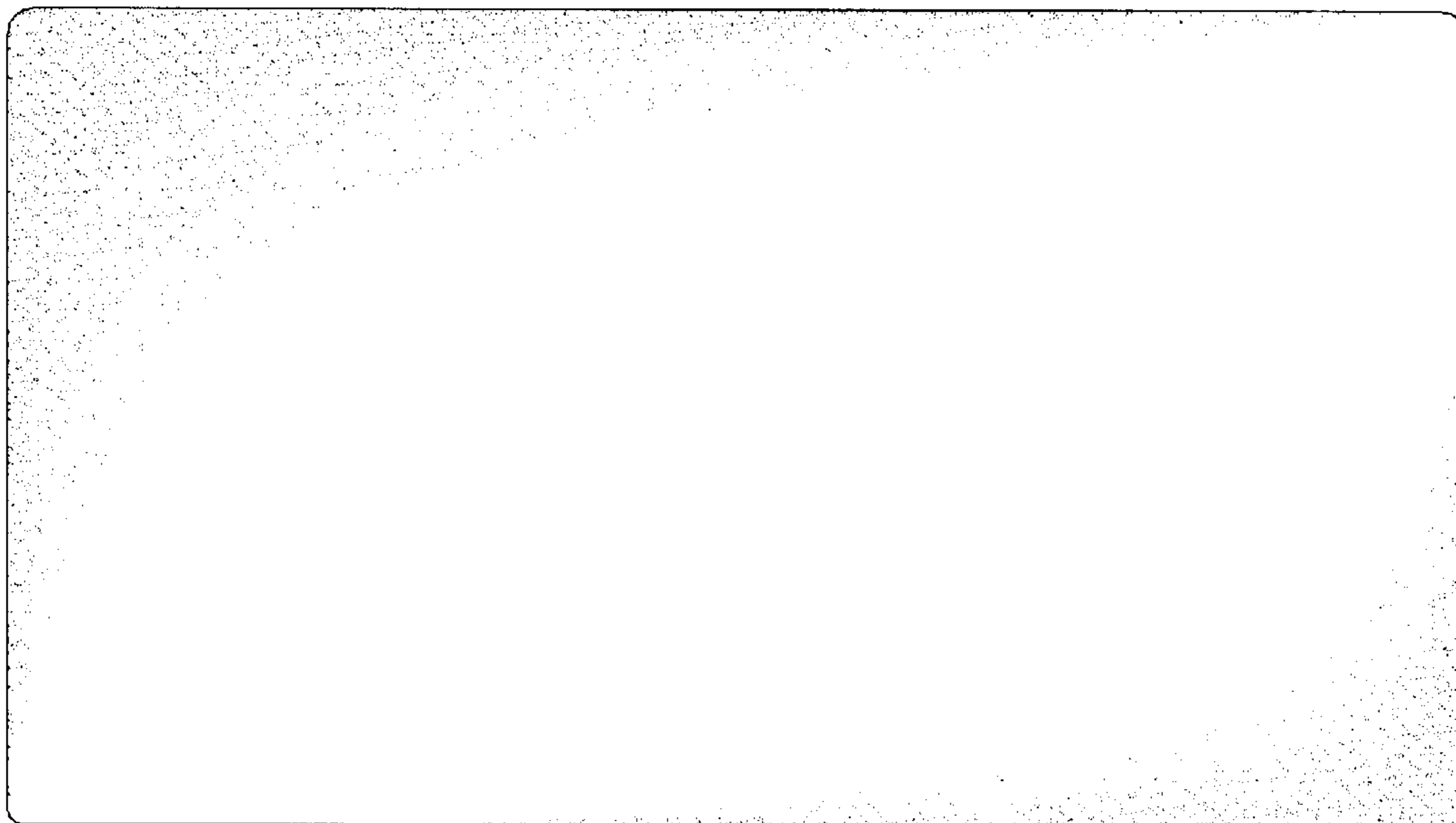
**Fig. 1**



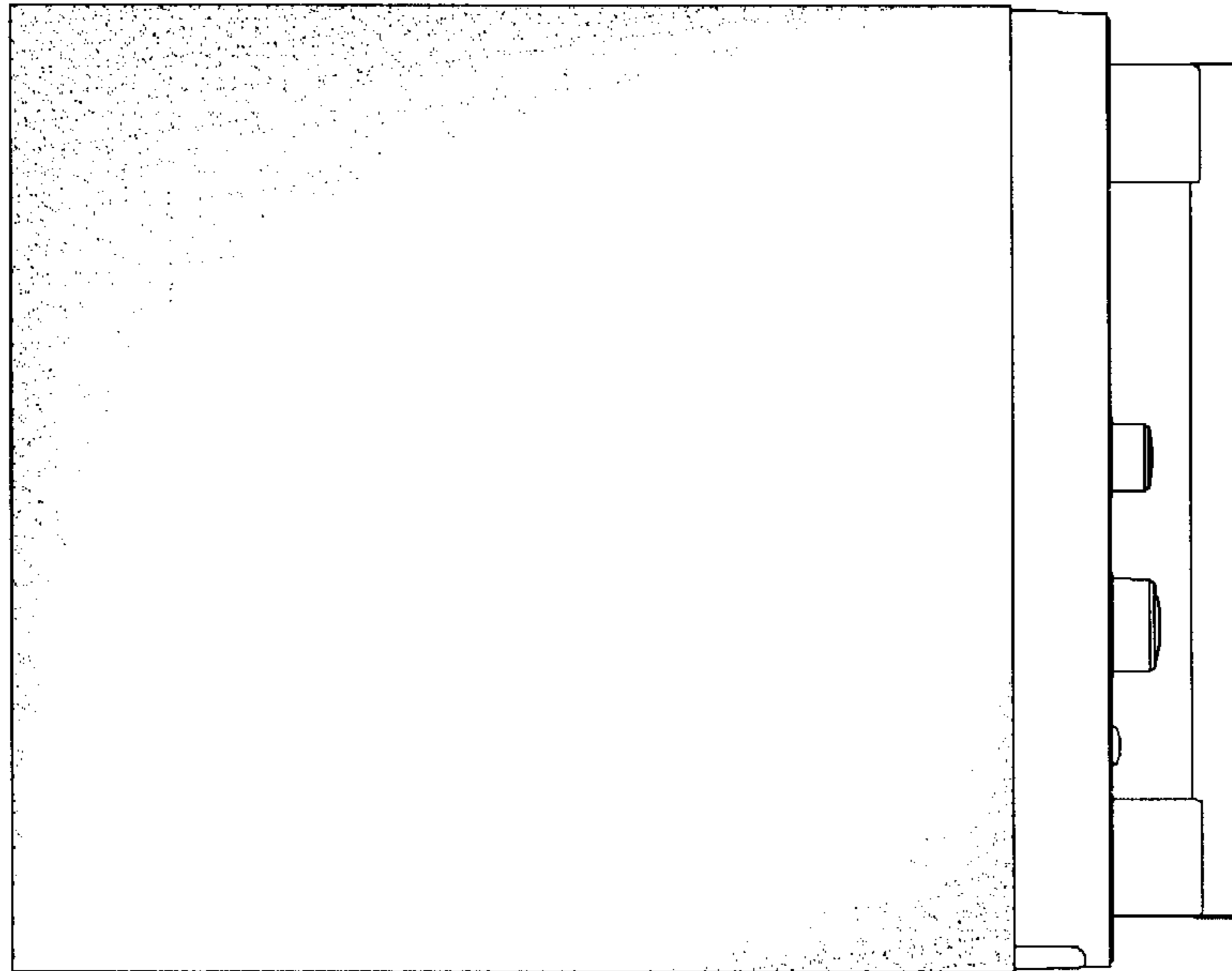
**Fig. 2**



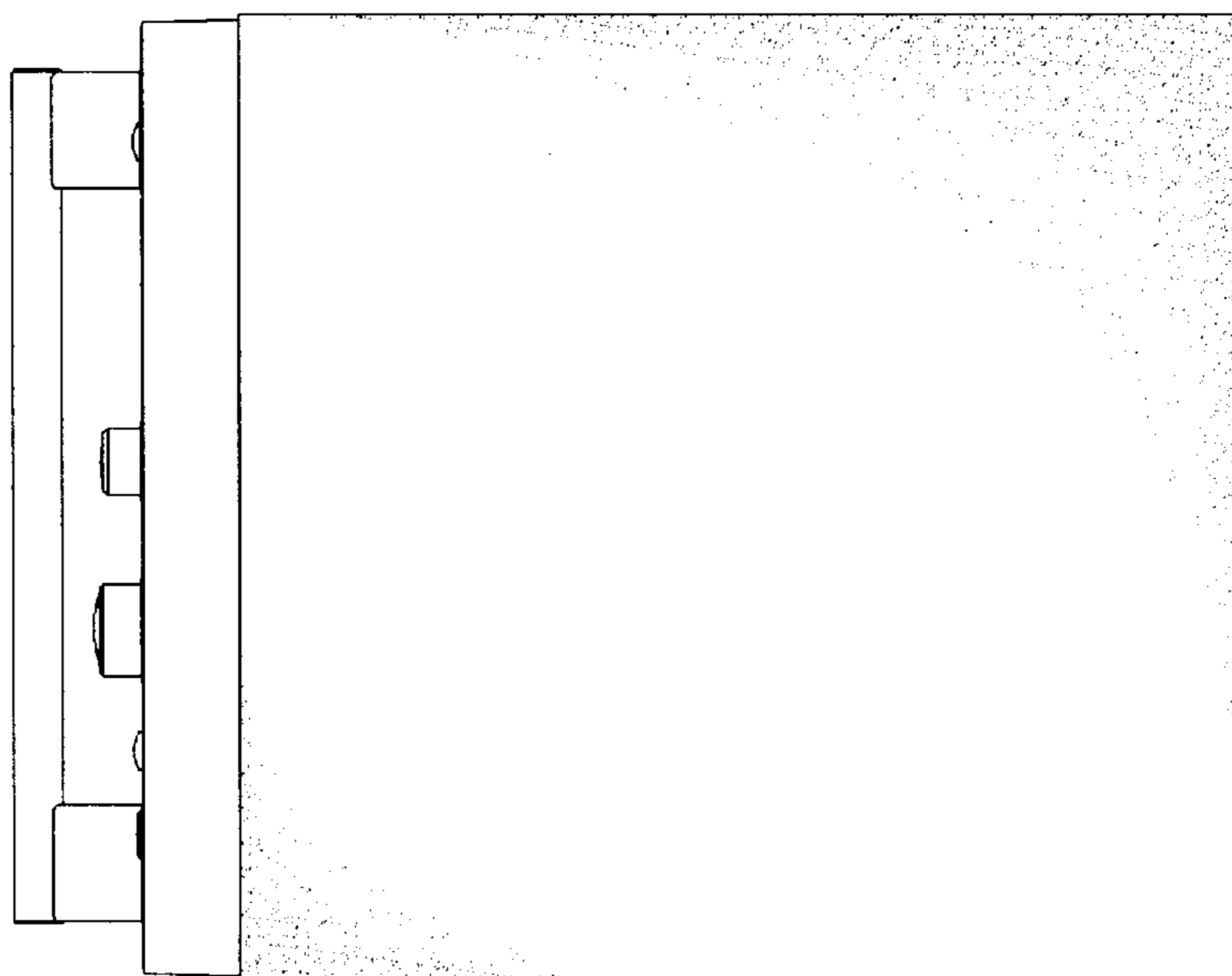
**Fig. 3**



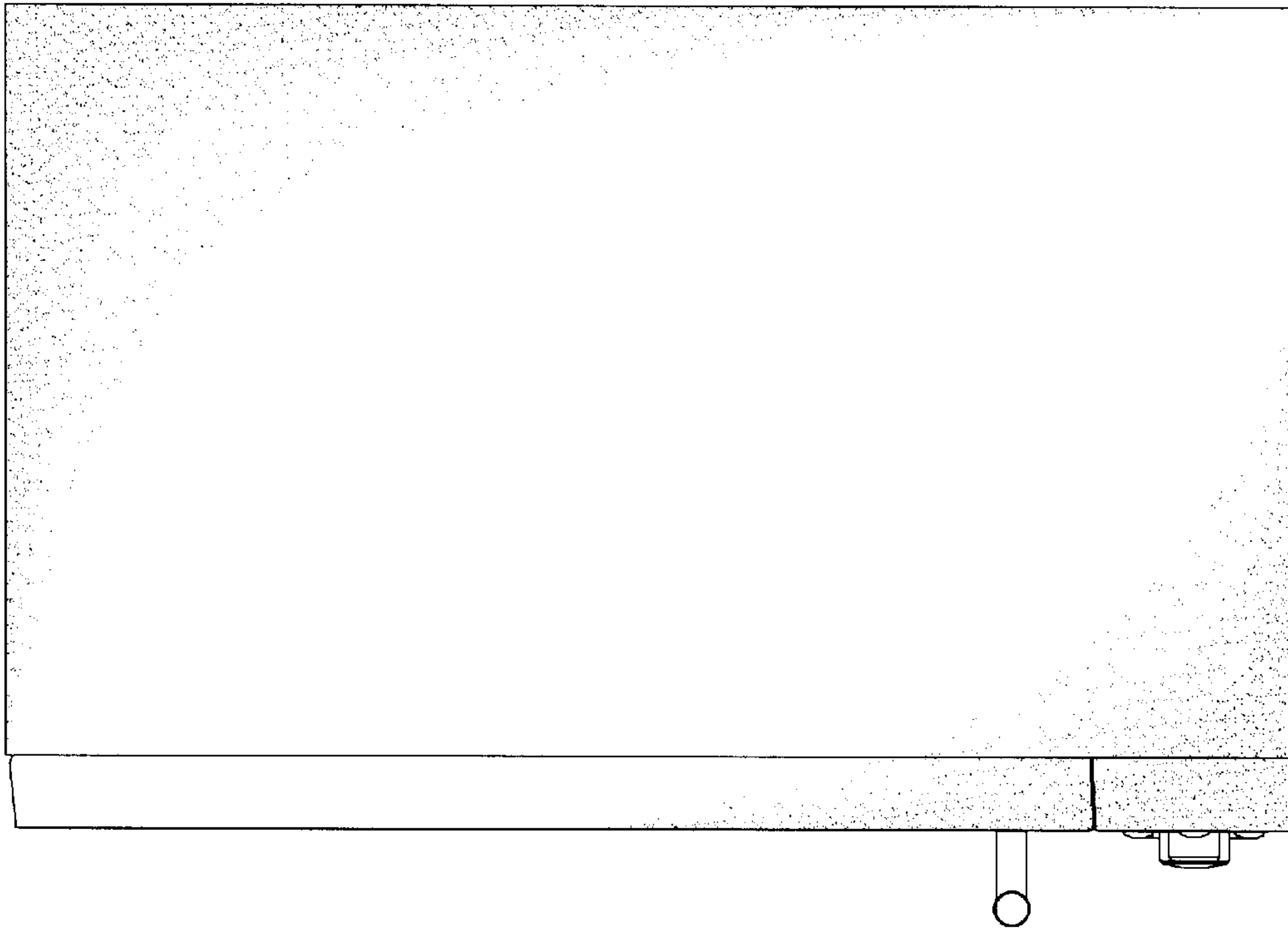
**Fig. 4**



**Fig. 5**



**Fig. 6**



**Fig. 7**

