

US00D530971S

(12) **United States Design Patent**
Kim

(10) **Patent No.:** **US D530,971 S**

(45) **Date of Patent:** **** Oct. 31, 2006**

(54) **ELECTRIC OVEN**

D511,925 S * 11/2005 Baldwin D7/340
D511,926 S * 11/2005 Baldwin D7/340

(75) Inventor: **Myoung Sik Kim**, Gyeonggi-do (KR)

* cited by examiner

(73) Assignee: **LG Electronics Inc.**, Seoul (KR)

Primary Examiner—Catherine R. Oliver

(**) Term: **14 Years**

(74) *Attorney, Agent, or Firm*—Birch, Stewart, Kolasch & Birch, LLP

(21) Appl. No.: **29/239,566**

(57) **CLAIM**

(22) Filed: **Oct. 3, 2005**

The ornamental design for a electric oven, as shown and described.

(30) **Foreign Application Priority Data**

Apr. 4, 2005 (KR) 30-2005-0011028

DESCRIPTION

(51) **LOC (8) Cl.** **07-02**

(52) **U.S. Cl.** **D7/340**

(58) **Field of Classification Search** D7/340,
D7/323, 339–341, 346–348, 402–408; 126/39 B,
126/39 C, 39 R, 19 R, 273 R, 50, 211
See application file for complete search history.

FIG. 1 is a perspective view of a electric oven showing my (our) new design;

FIG. 2 is a front view thereof;

FIG. 3 is a rear view thereof;

FIG. 4 is a left side view thereof where the right side view is a mirror image;

FIG. 5 is a top plan view thereof; and,

FIG. 6 is a bottom plan view thereof.

(56) **References Cited**

U.S. PATENT DOCUMENTS

D510,226 S * 10/2005 Vetter D7/340

1 Claim, 5 Drawing Sheets

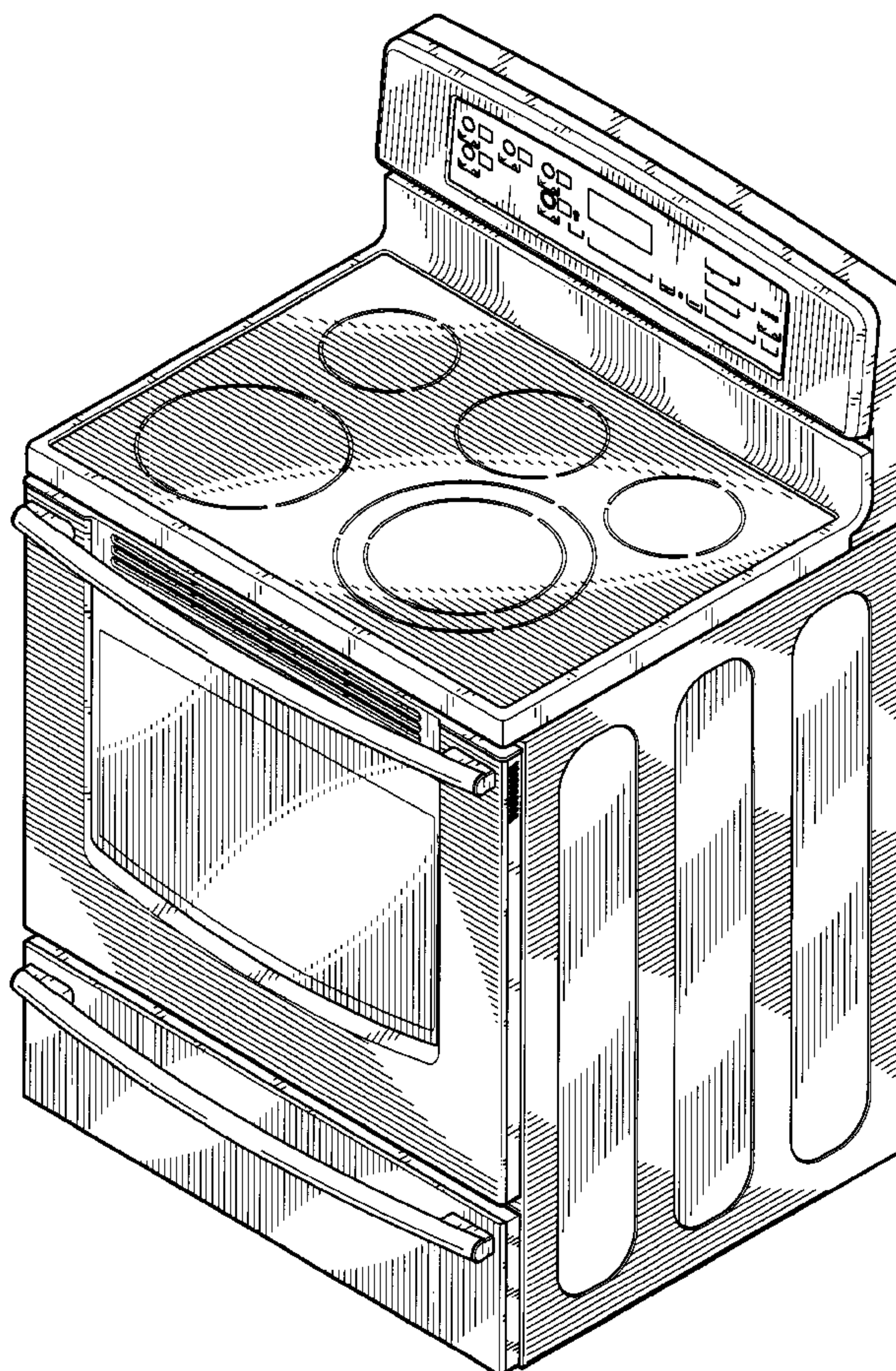


FIG. 1

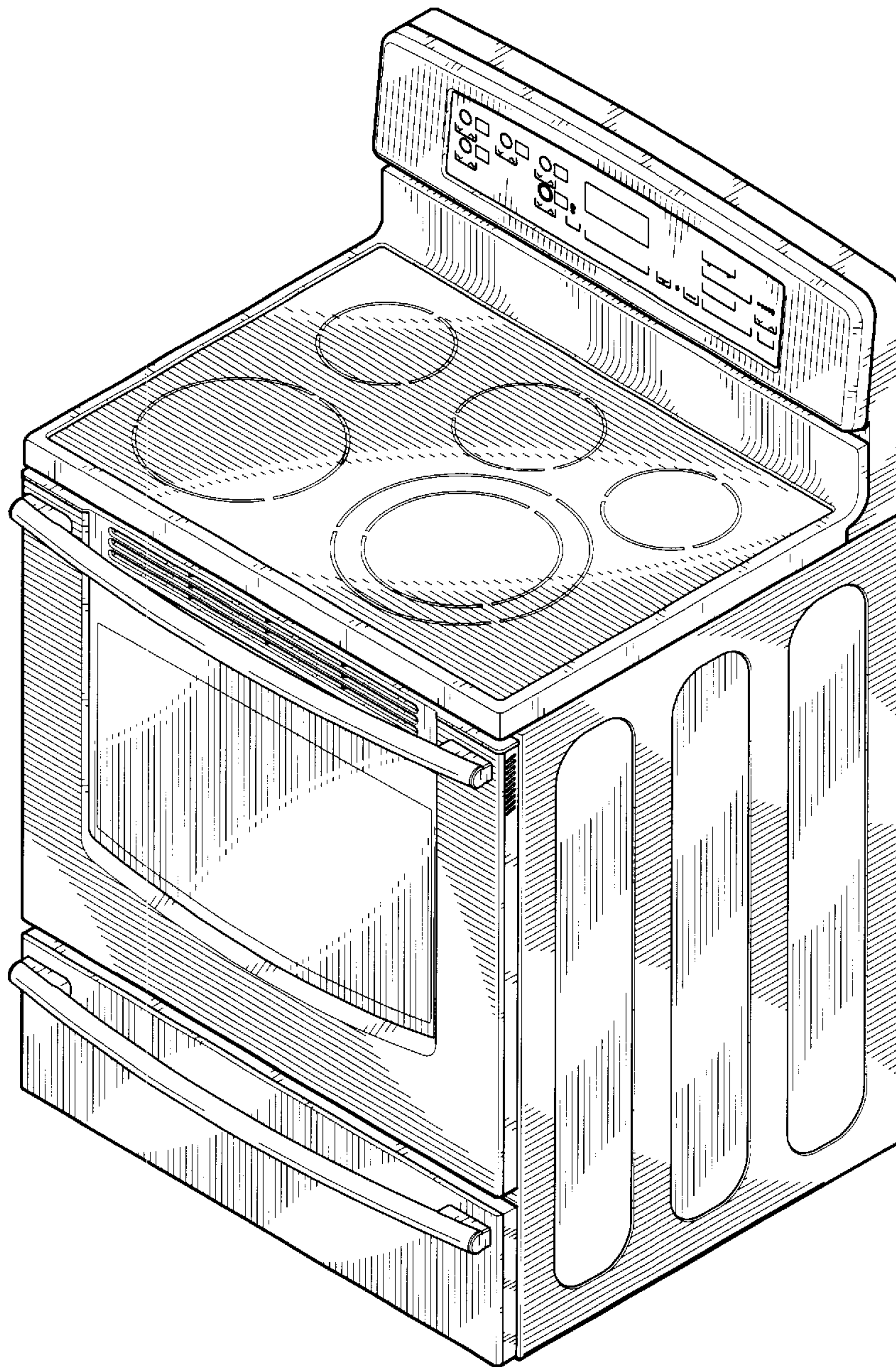


FIG. 2

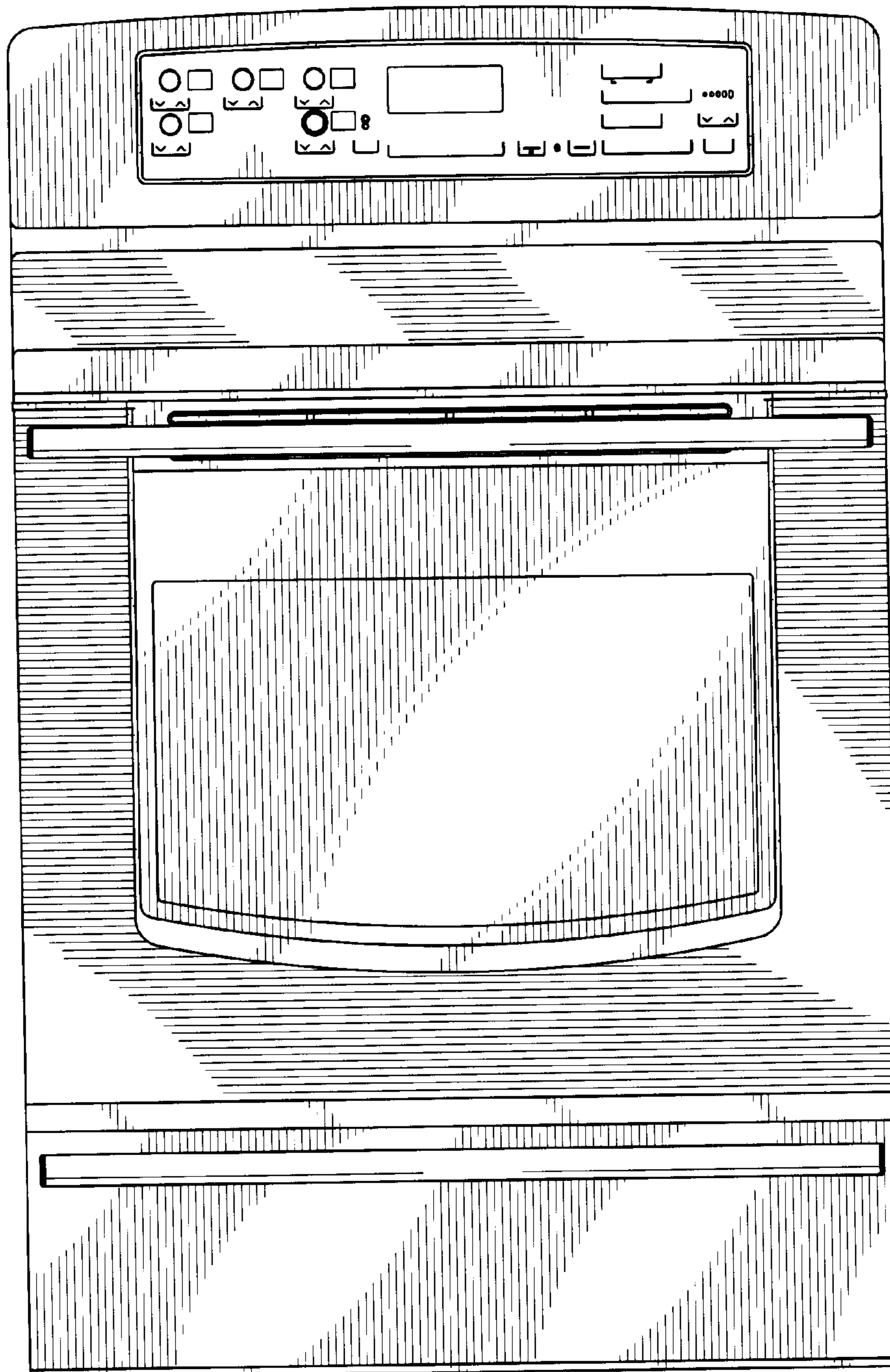


FIG. 3

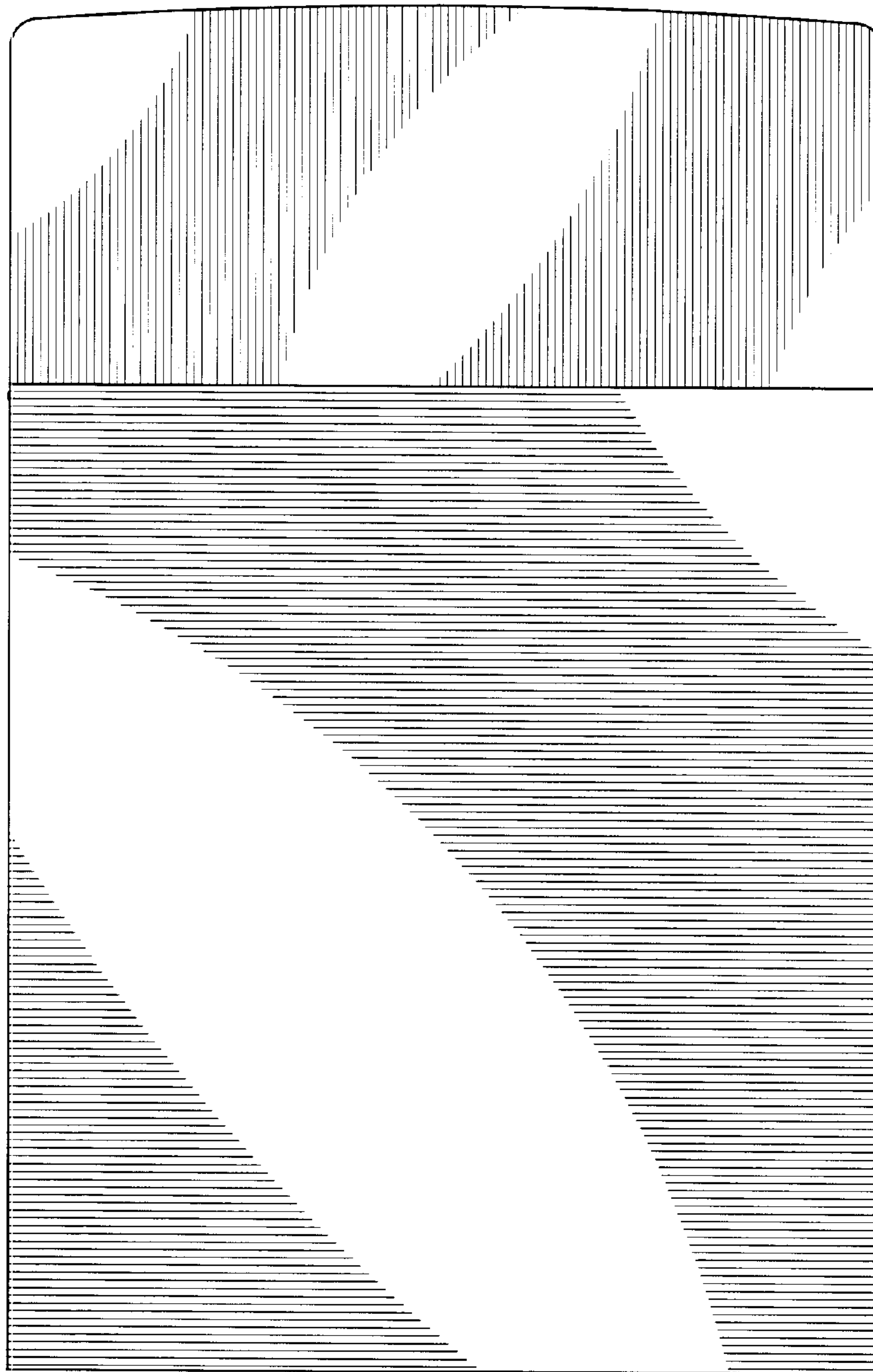


FIG. 4

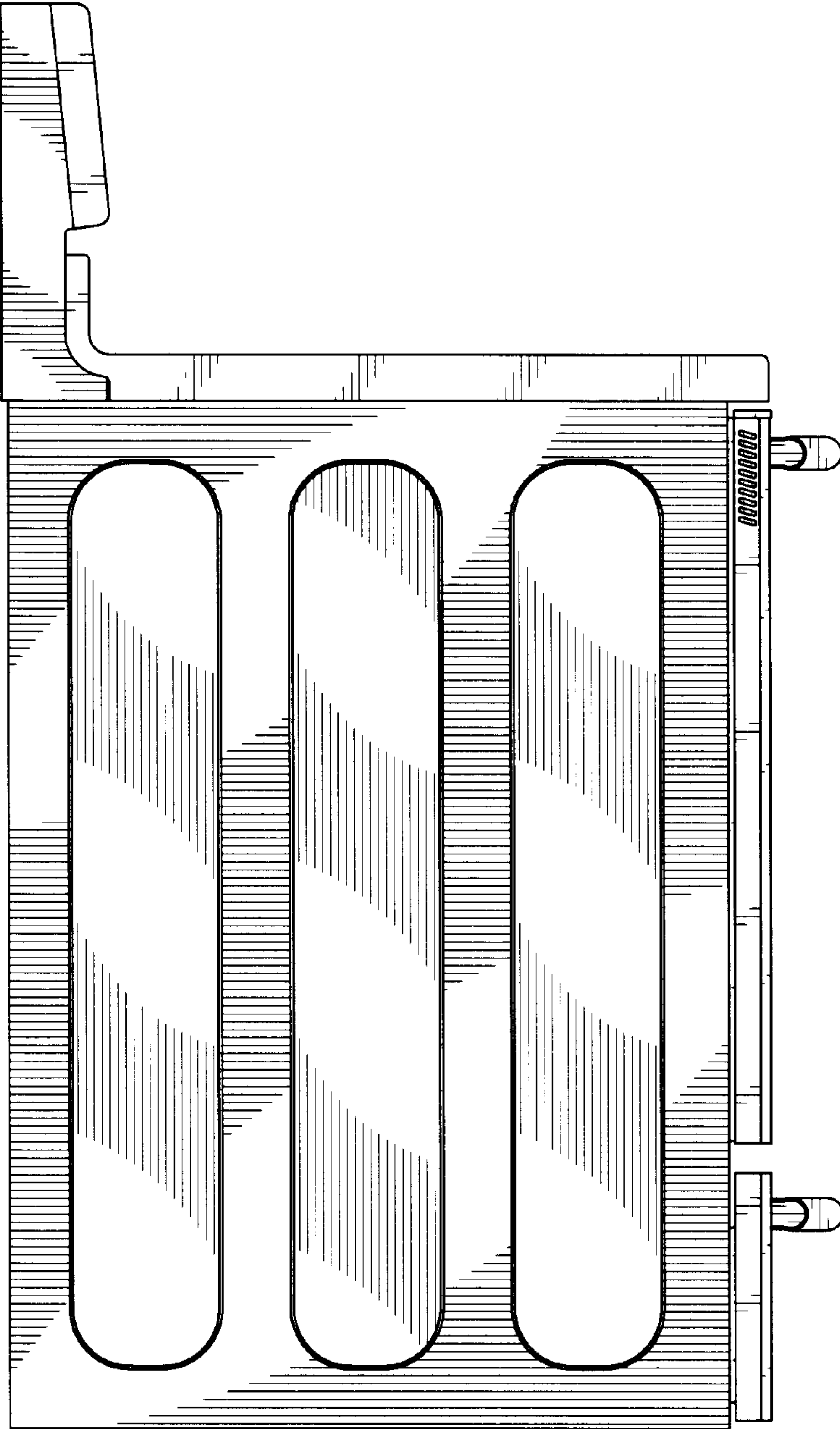


FIG. 5

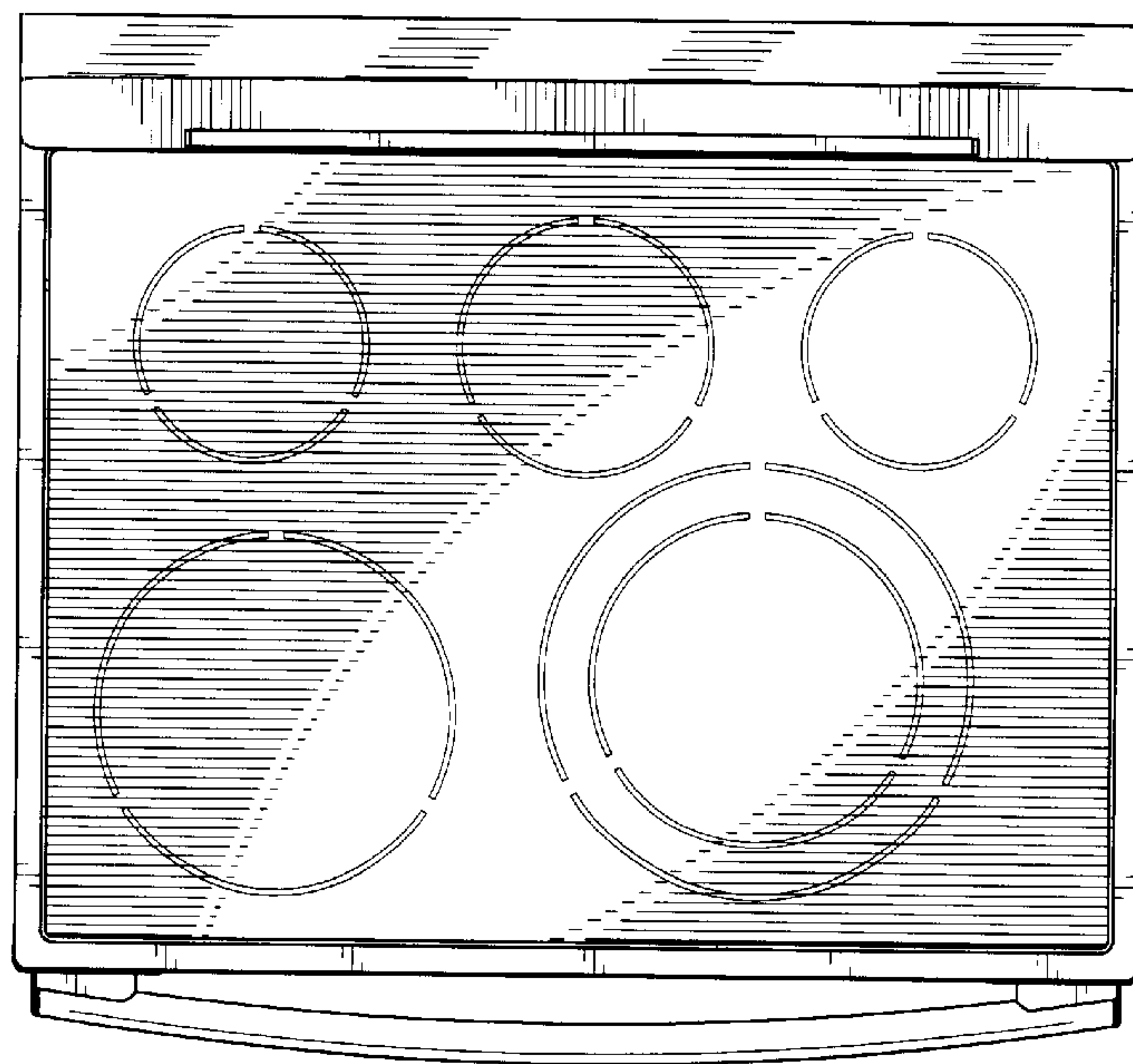


FIG. 6

