



US00D530967S

(12) **United States Design Patent**  
**Smith**

(10) **Patent No.:** **US D530,967 S**

(45) **Date of Patent:** **\*\* Oct. 31, 2006**

(54) **HEADRAIL FOR COVERING FOR ARCHITECTURAL OPENINGS**

(75) Inventor: **Stephen P. Smith**, Denver, CO (US)

(73) Assignee: **Hunter Douglas Inc.**, Upper Saddle River, NJ (US)

(\*\*) Term: **14 Years**

(21) Appl. No.: **29/239,355**

(22) Filed: **Sep. 29, 2005**

(51) **LOC (8) Cl.** ..... **06-10**

(52) **U.S. Cl.** ..... **D6/580**

(58) **Field of Classification Search** ..... D6/575-580;  
160/38, 39, 170, 177, 178.1 R; 248/251,  
248/261

See application file for complete search history.

(56) **References Cited**

U.S. PATENT DOCUMENTS

2,508,737	A	*	5/1950	Zeto	.....	248/263
D170,342	S	*	9/1953	Skwark	.....	D6/575
2,823,743	A	*	2/1958	Isaac	.....	160/39
5,598,880	A	*	2/1997	Cross	.....	160/38
D386,641	S	*	11/1997	Gray, III	.....	D6/575
6,202,967	B1	*	3/2001	Fraczek	.....	248/261
D440,444	S	*	4/2001	Sonnenberg et al.	.....	D6/580
D443,457	S	*	6/2001	Horsten	.....	D6/580
D445,621	S	*	7/2001	Judkins	.....	D6/575
D455,336	S	*	4/2002	Anderson	.....	D8/377
D488,945	S	*	4/2004	Bibby et al.	.....	D6/580
2002/0046816	A1	*	4/2002	Judkins	.....	160/32

\* cited by examiner

*Primary Examiner*—Holly Baynham  
*Assistant Examiner*—Cynthia M. Chin  
(74) *Attorney, Agent, or Firm*—Dorsey & Whitney LLP

(57) **CLAIM**

I claim a headrail for covering for architectural openings, as shown and described.

**DESCRIPTION**

FIG. 1 is an isometric of the headrail of the present invention looking at the front.

FIG. 2 is a rear isometric similar to FIG. 1.

FIG. 3 is a top plan view.

FIG. 4 is a front elevation.

FIG. 5 is a bottom plan view.

FIG. 6 is a left side elevation of the headrail as shown in FIG. 7.

FIG. 7 is a rear elevation.

FIG. 8 is a right side elevation of the headrail as shown in FIG. 7.

FIG. 9 is a front isometric of a first alternative embodiment to the headrail shown in FIG. 1 with the front of the headrail having a fabric covering thereon.

FIG. 10 is a rear isometric similar to FIG. 9.

FIG. 11 is a top plan view of the headrail of FIG. 9.

FIG. 12 is a front elevation of the headrail of FIG. 9.

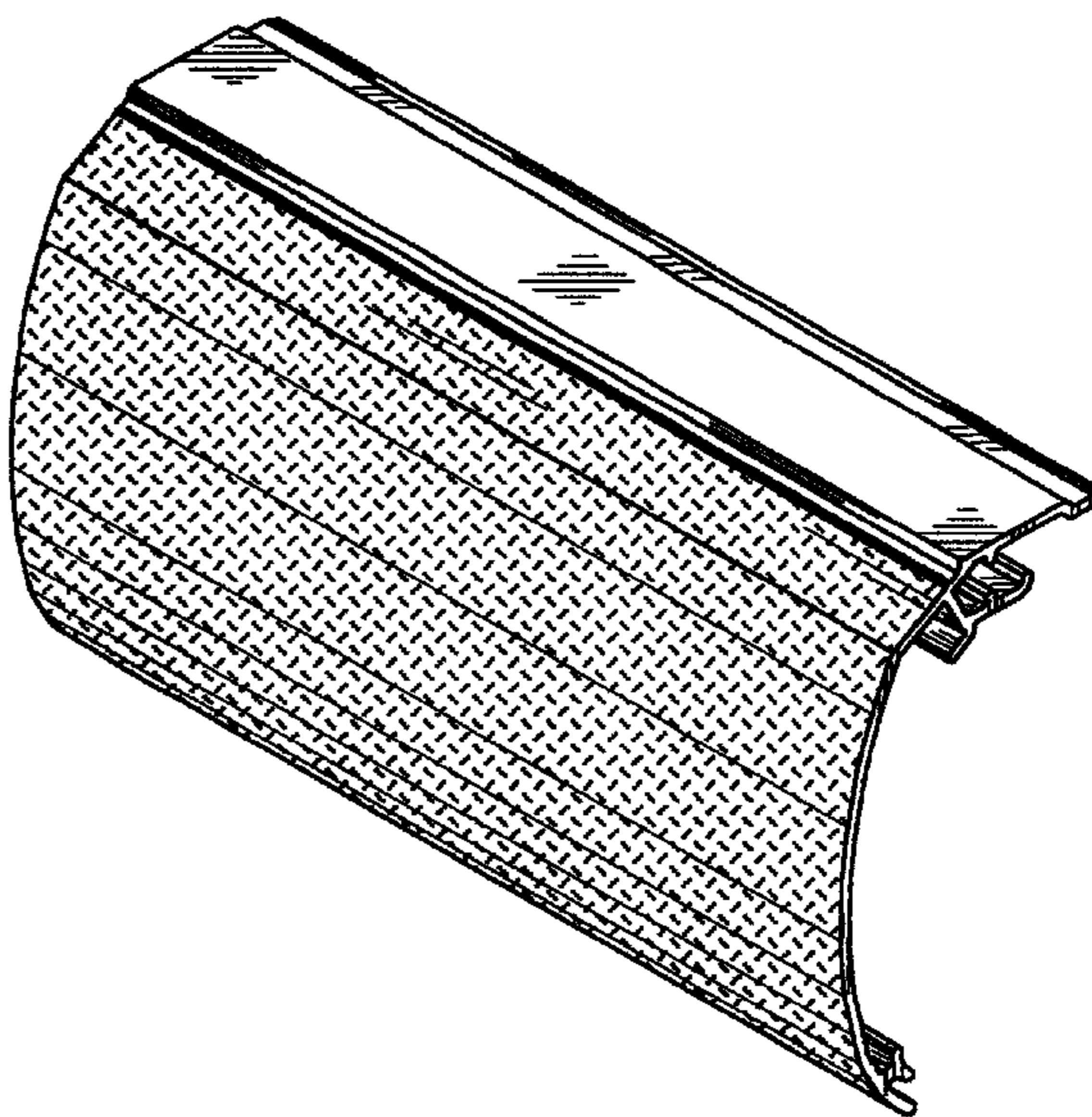
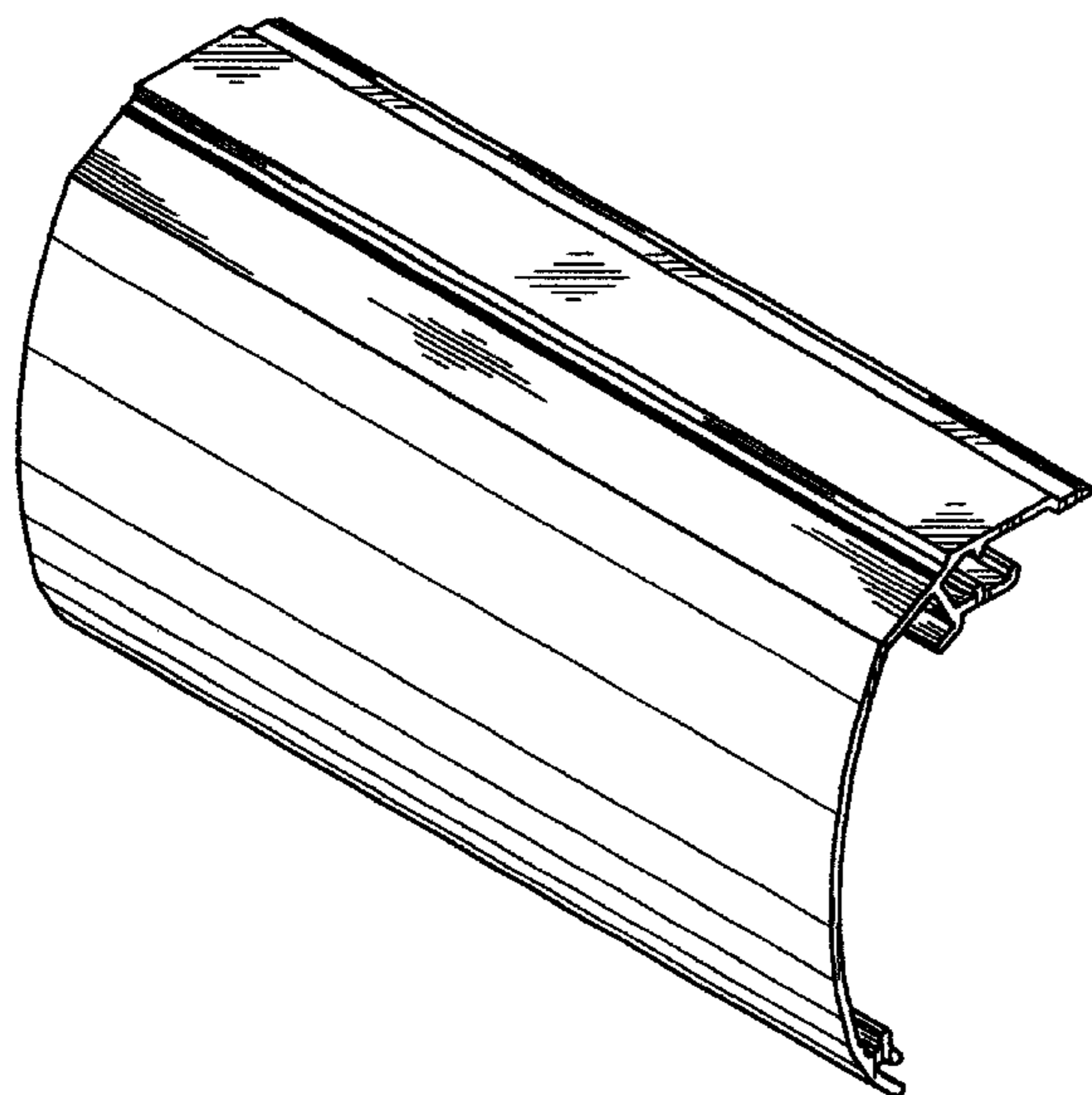
FIG. 13 is a bottom plan view of the headrail of FIG. 9.

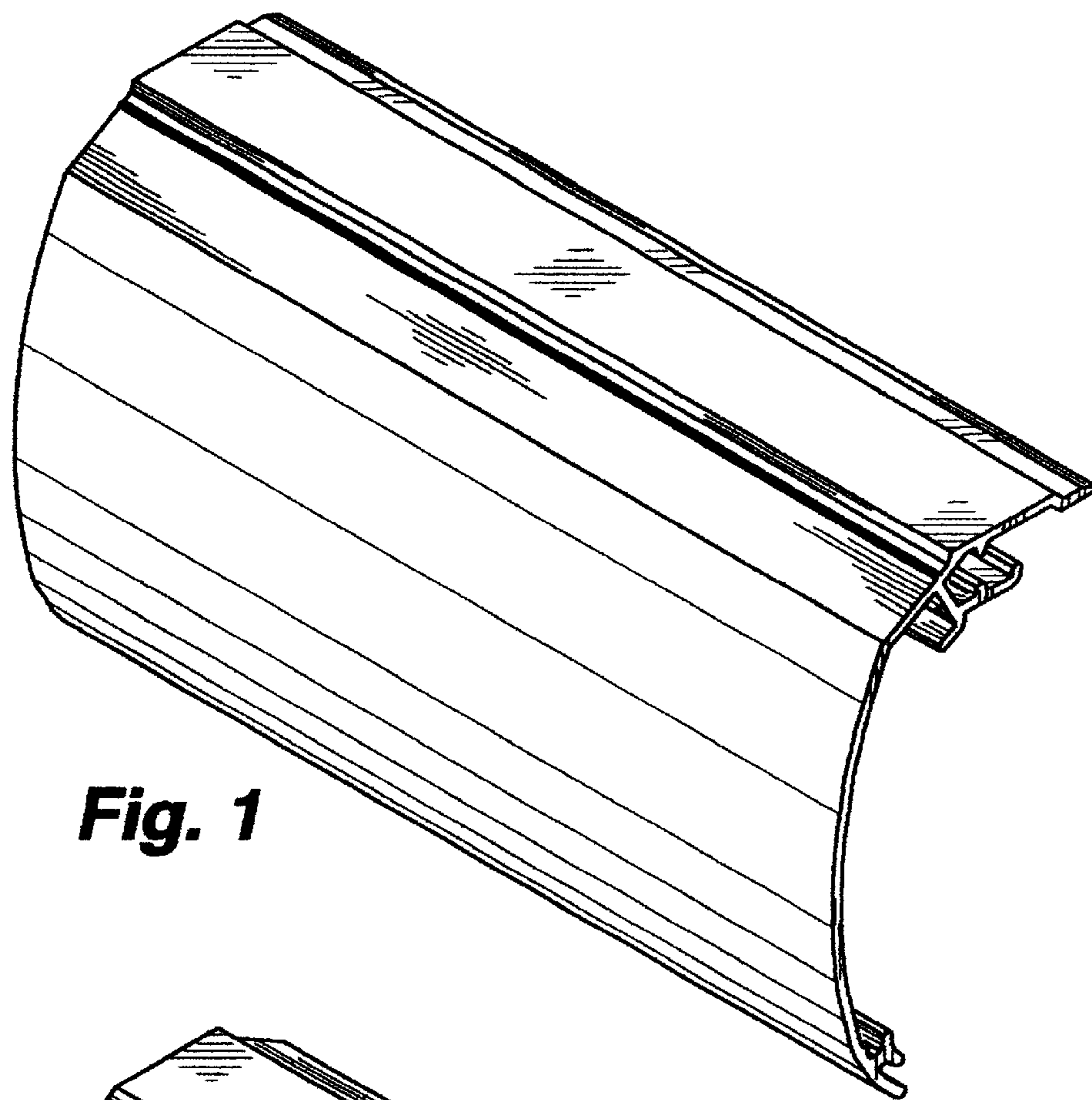
FIG. 14 is a left side elevation of the headrail as shown in FIG. 15.

FIG. 15 is a rear elevation of the headrail of FIG. 9; and,

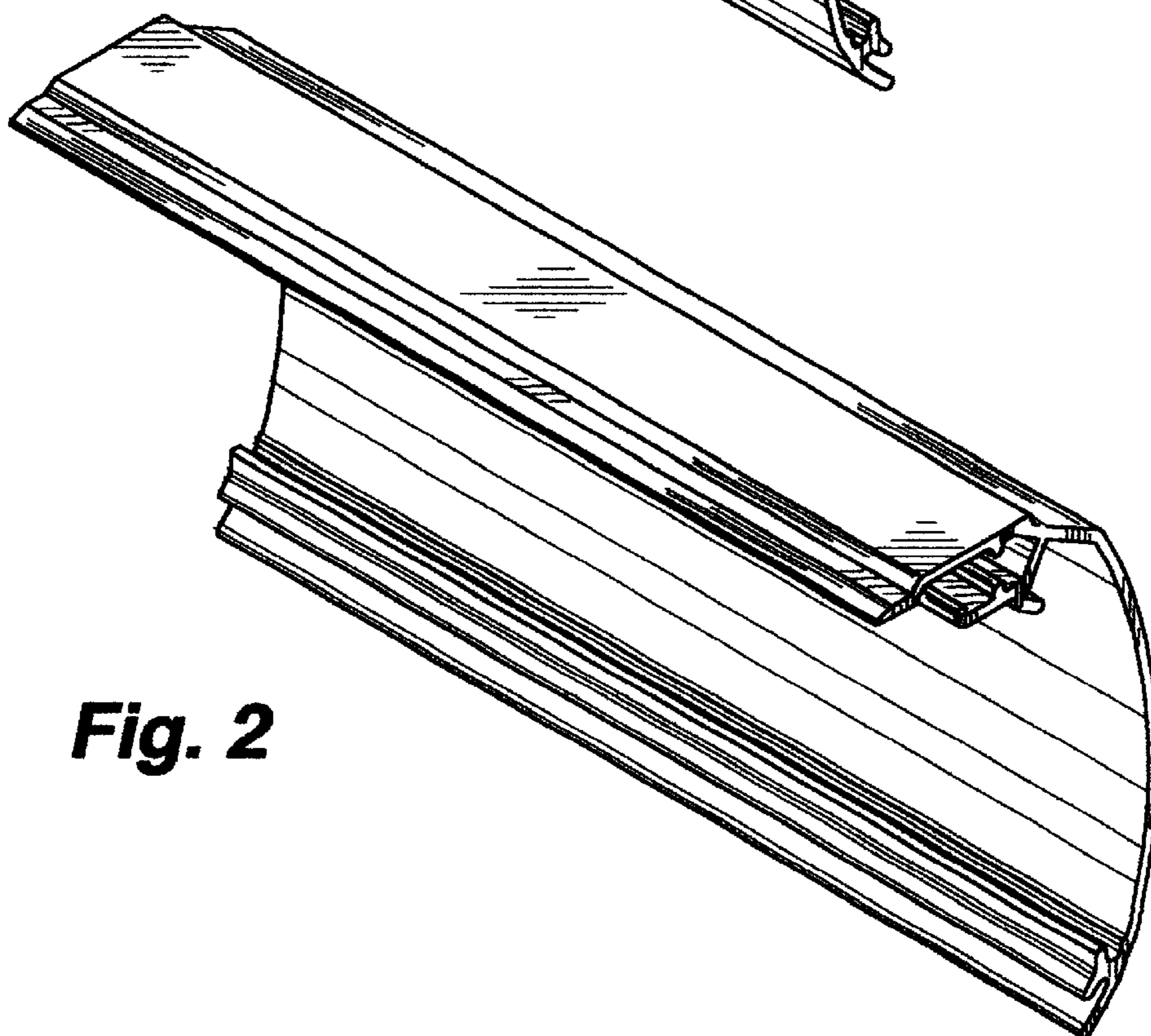
FIG. 16 is a right elevation of the headrail as shown in FIG. 15.

**1 Claim, 6 Drawing Sheets**



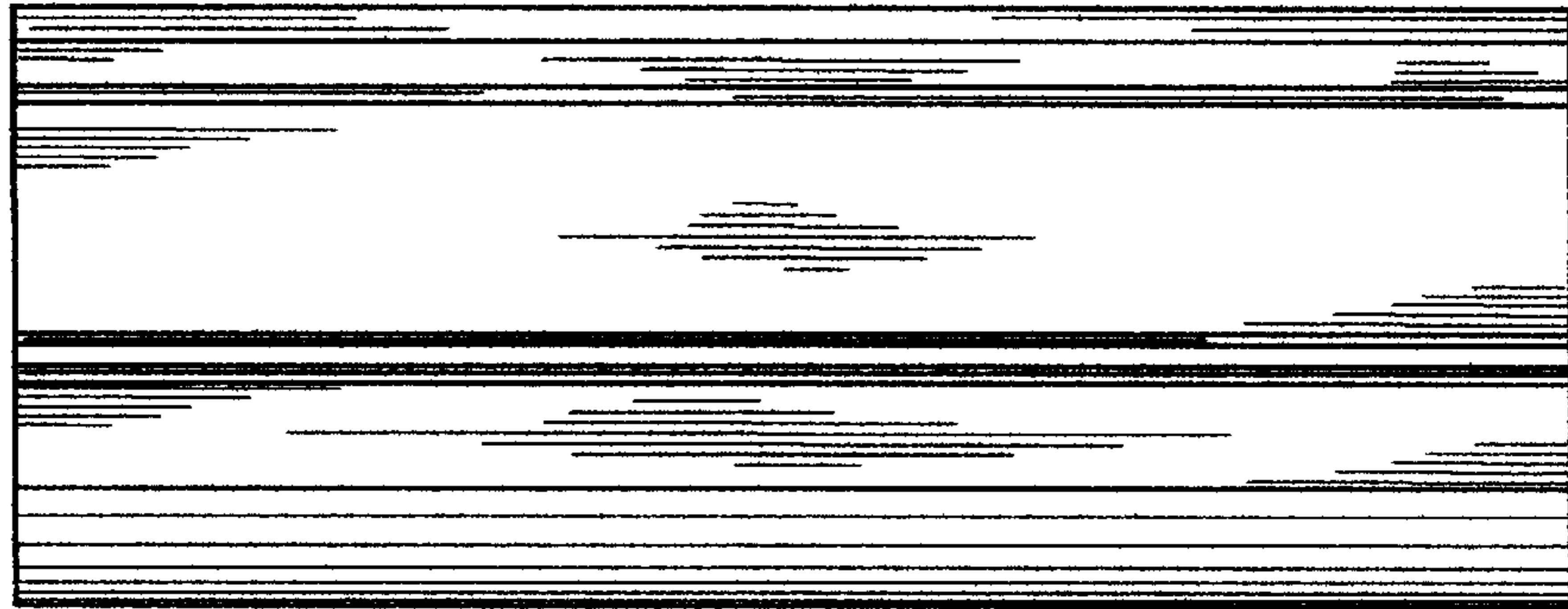


**Fig. 1**

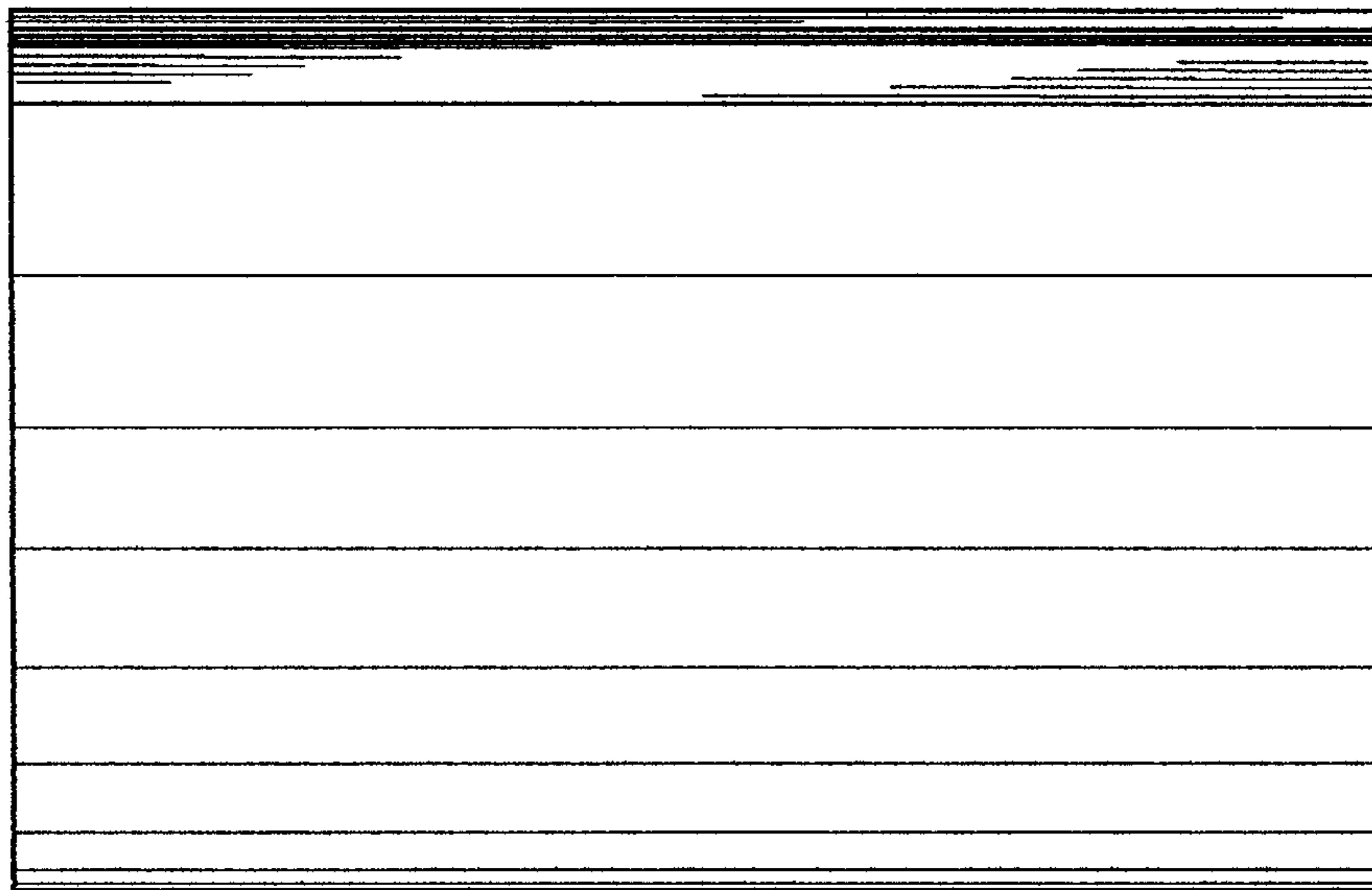


**Fig. 2**

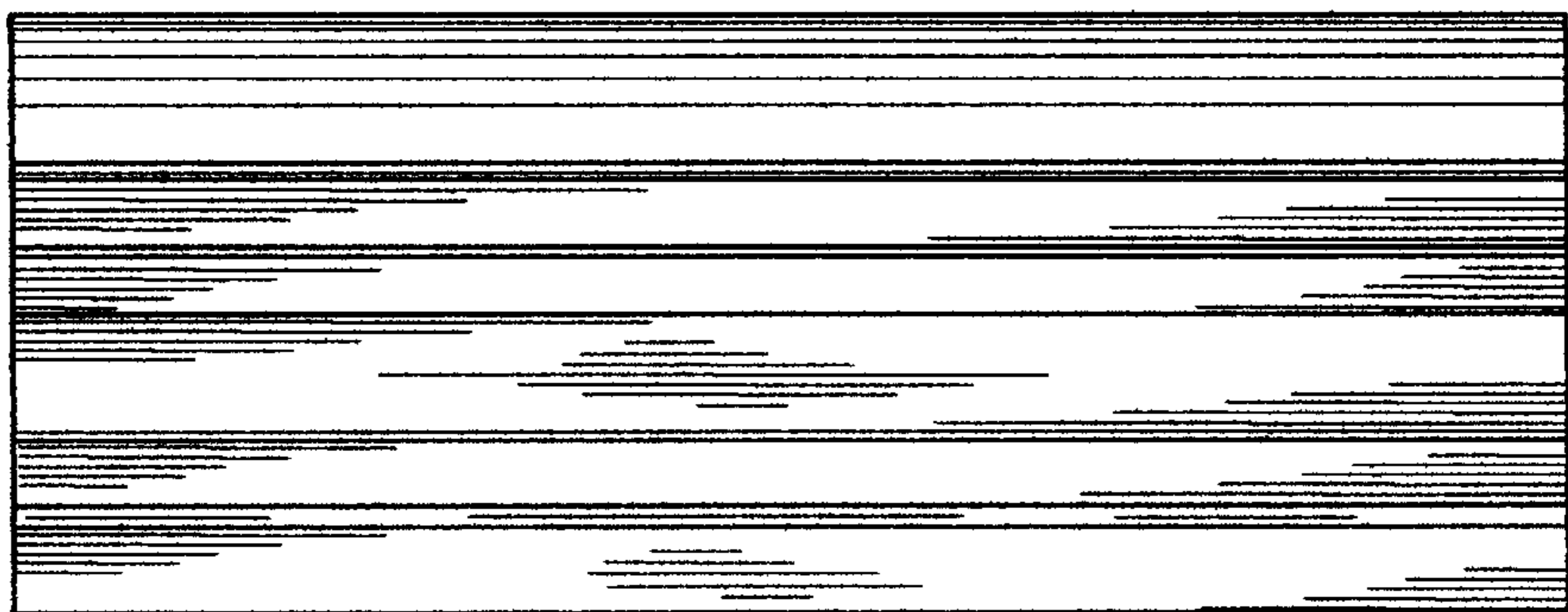




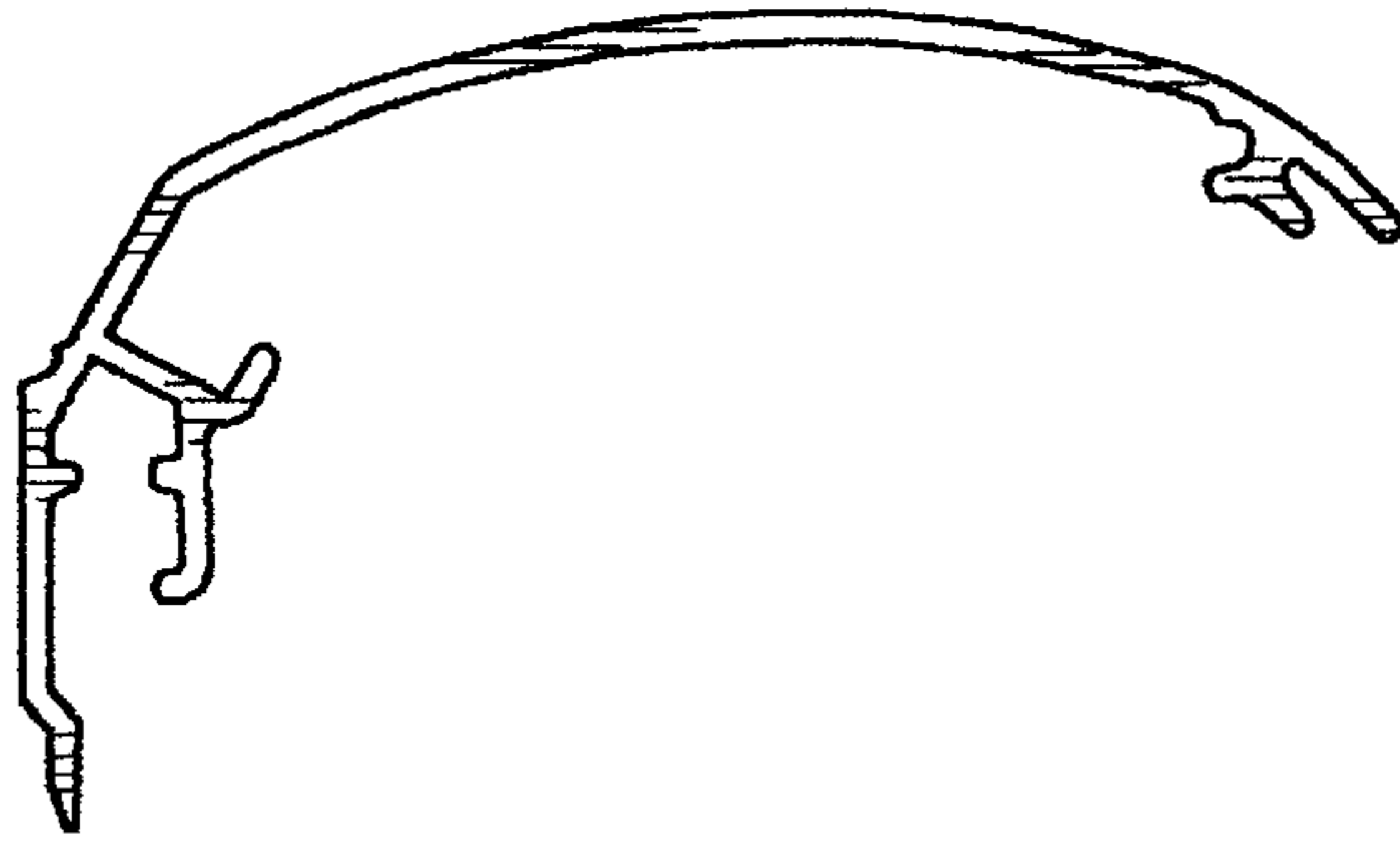
**Fig. 3**



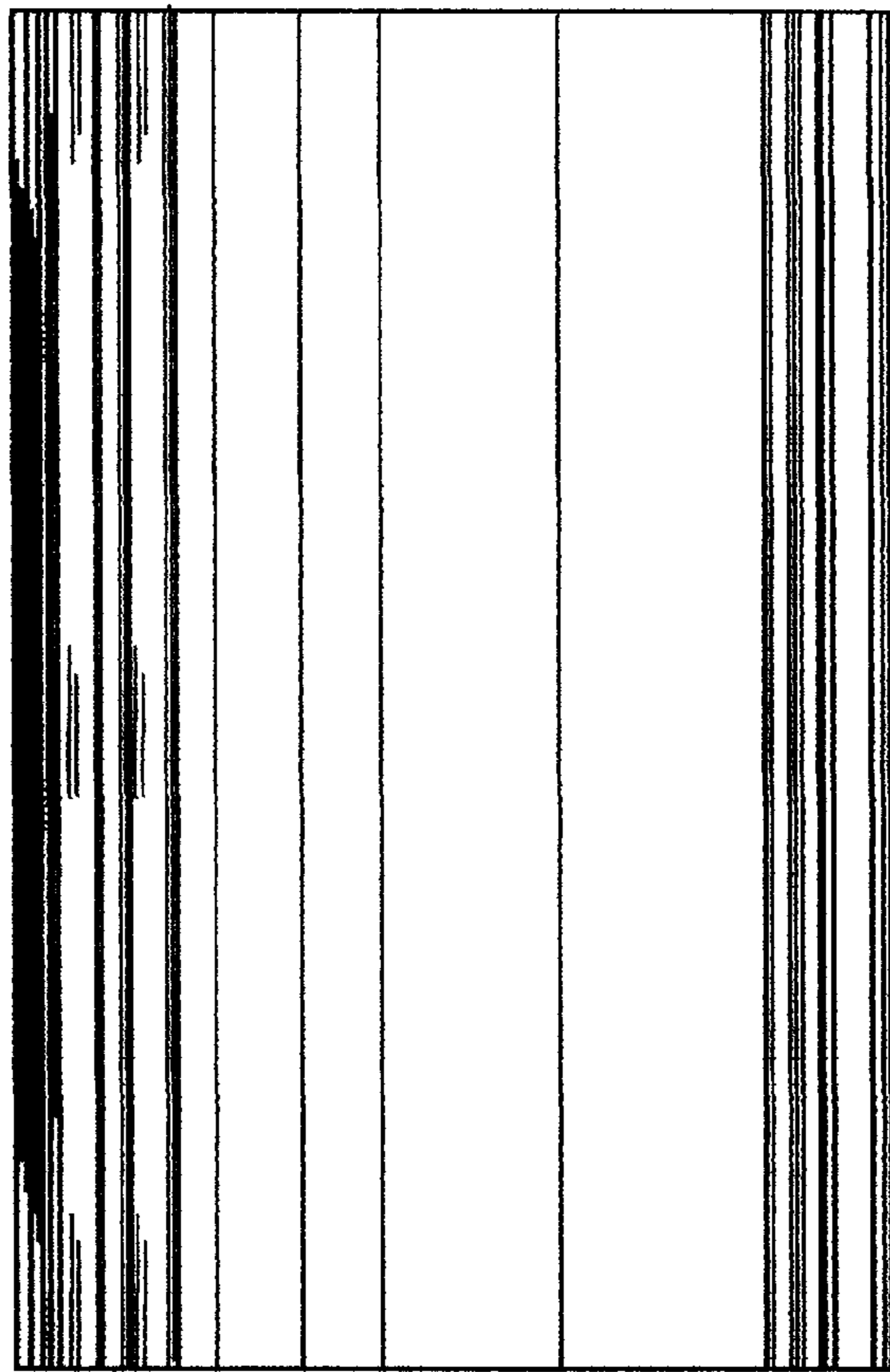
**Fig. 4**



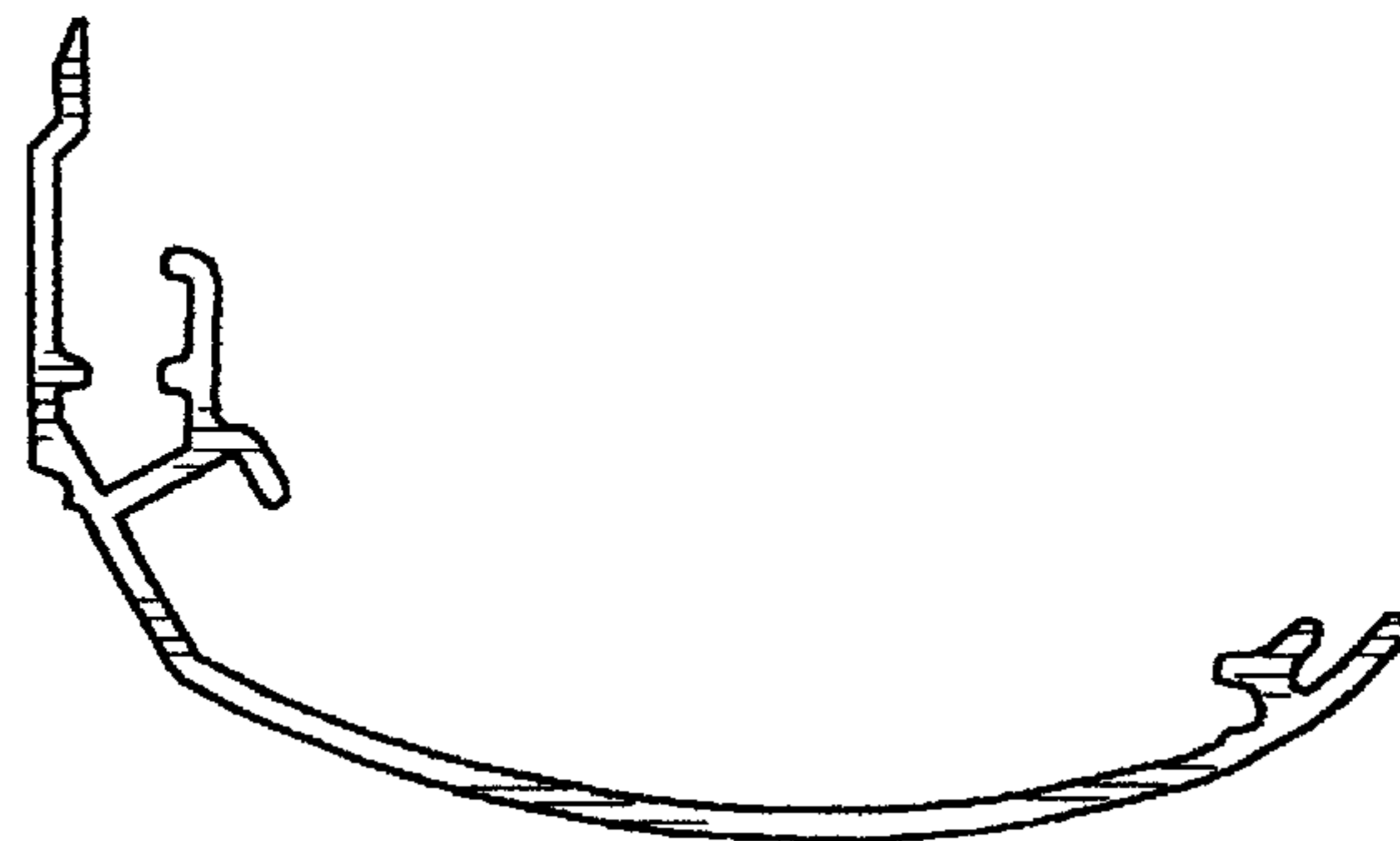
**Fig. 5**



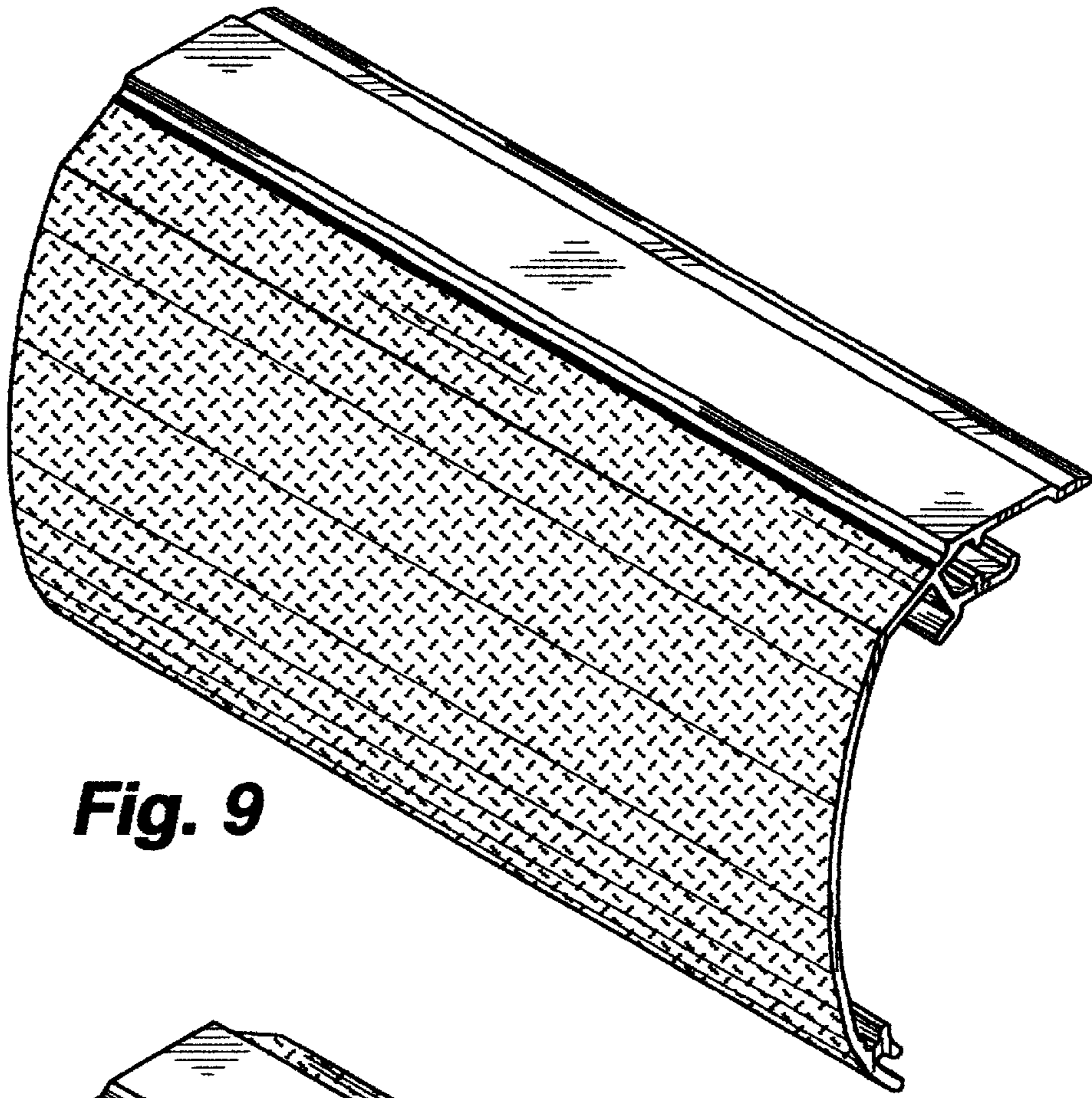
**Fig. 6**



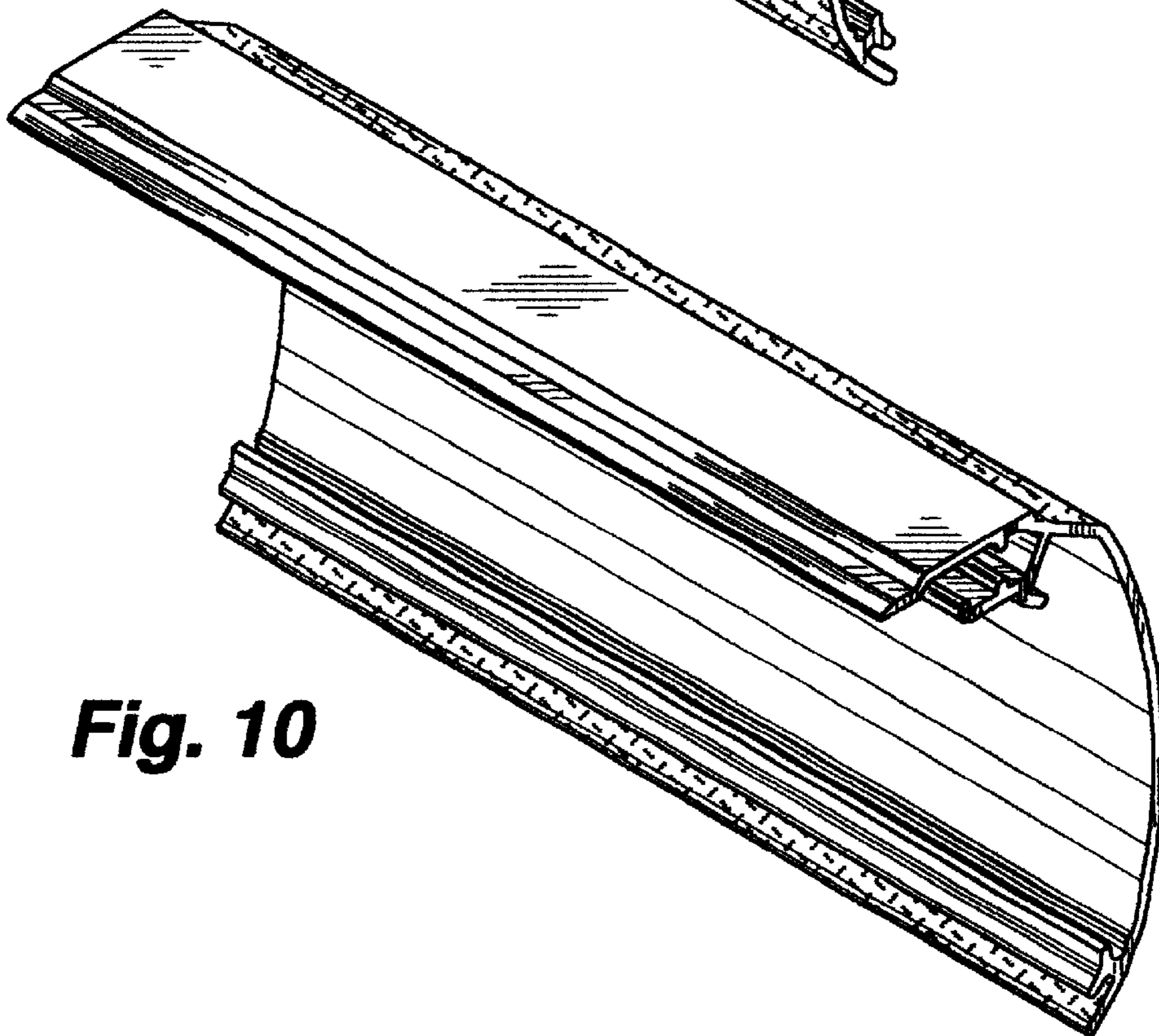
**Fig. 7**



**Fig. 8**

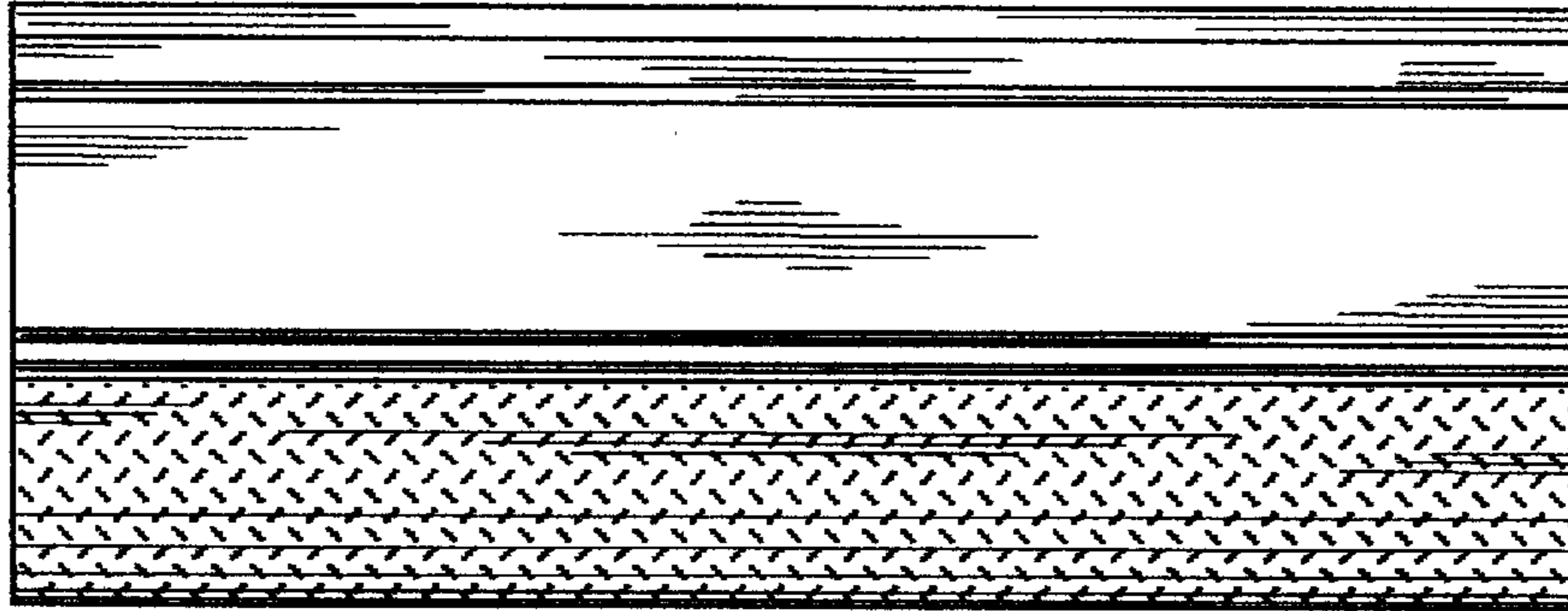


**Fig. 9**

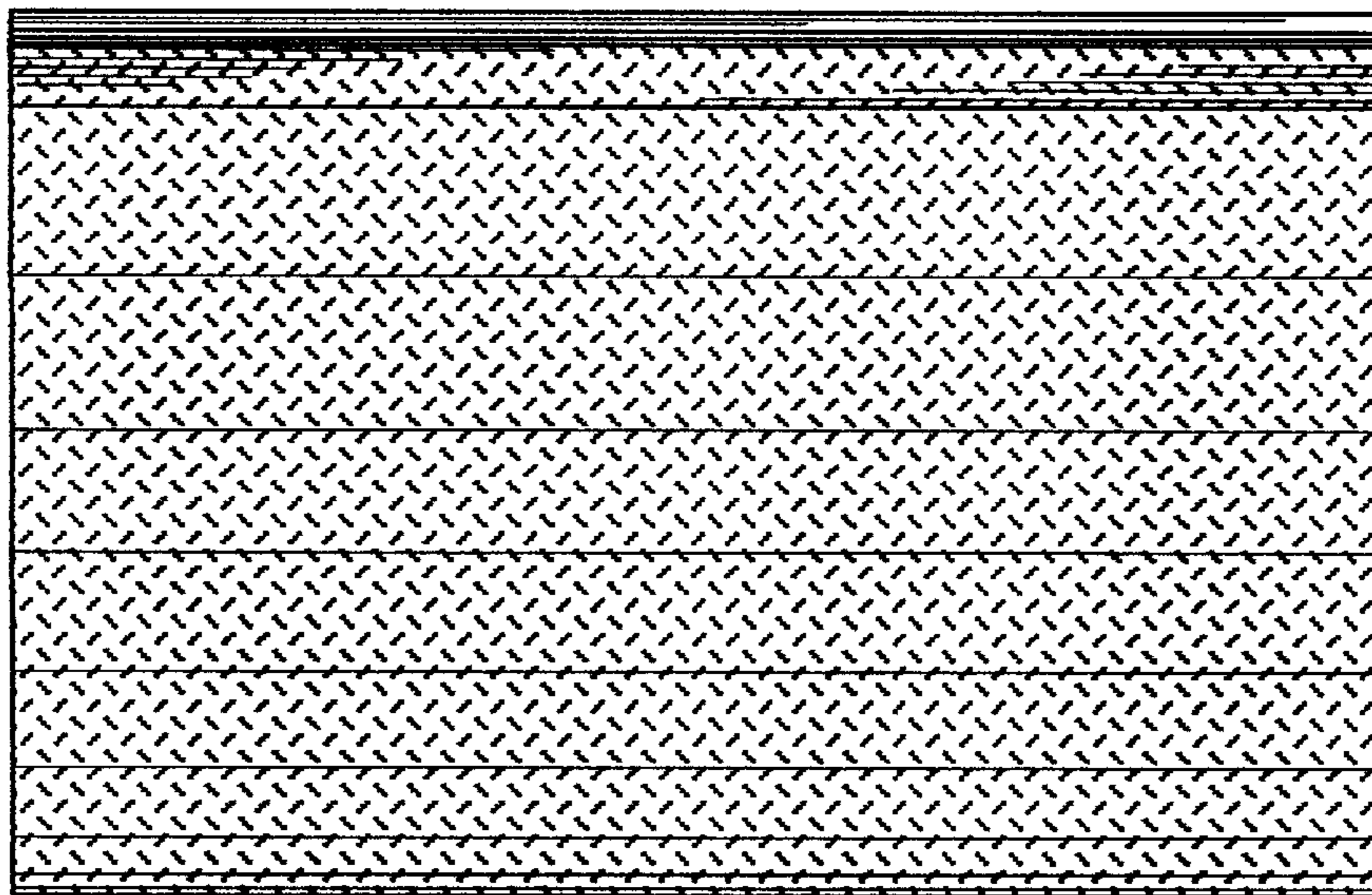


**Fig. 10**

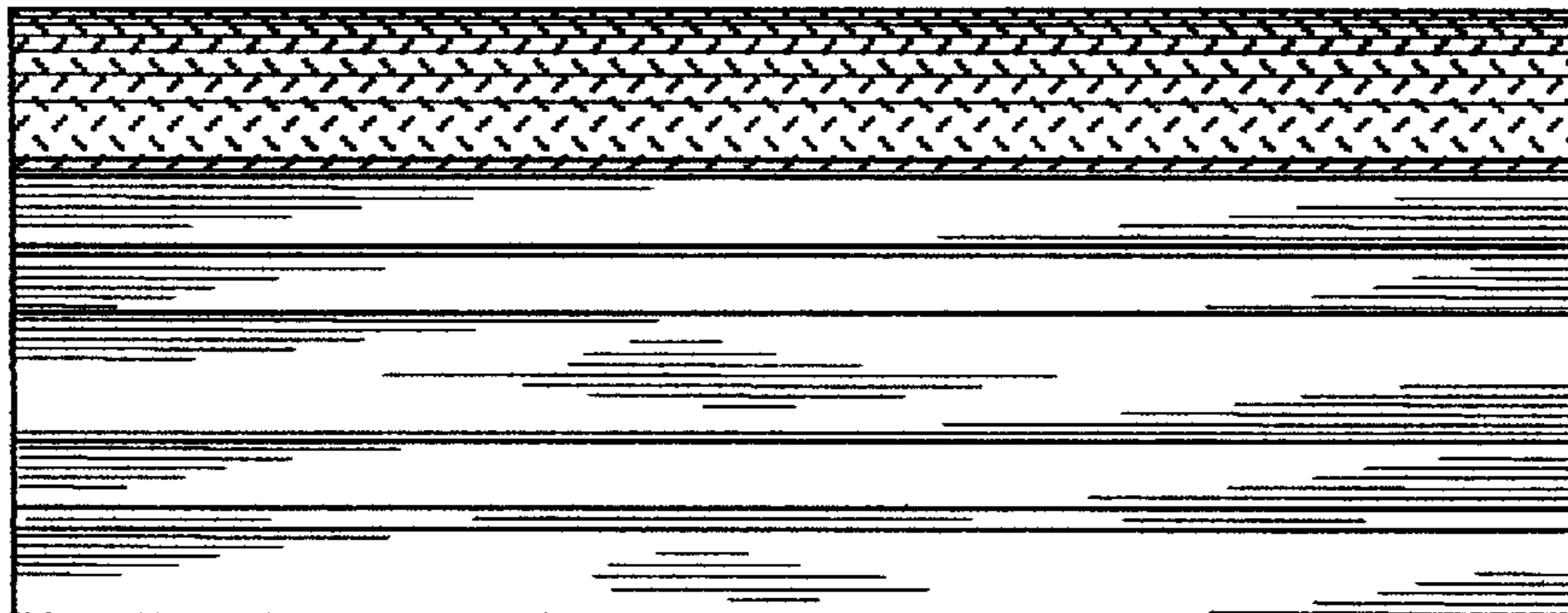




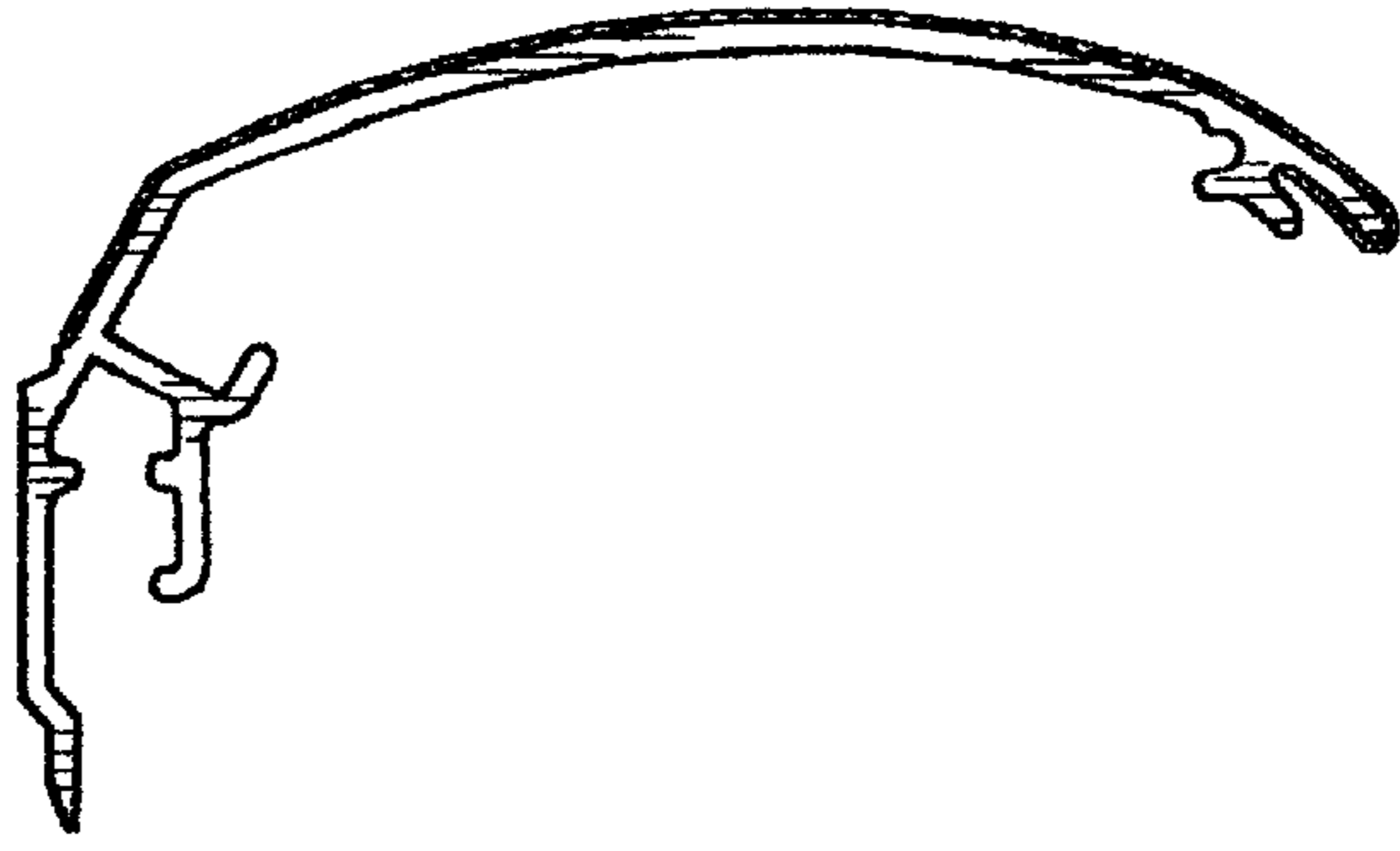
**Fig. 11**



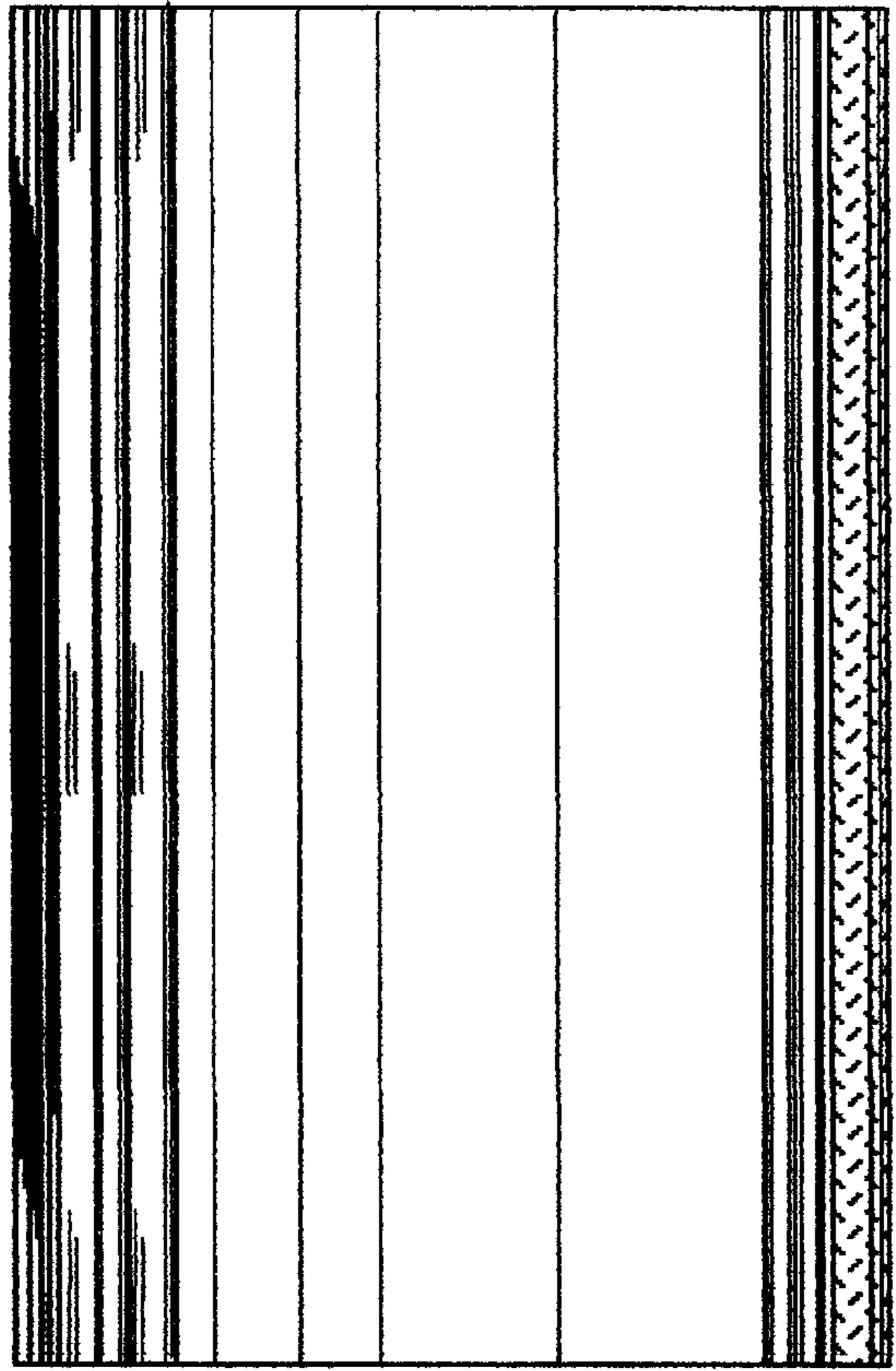
**Fig. 12**



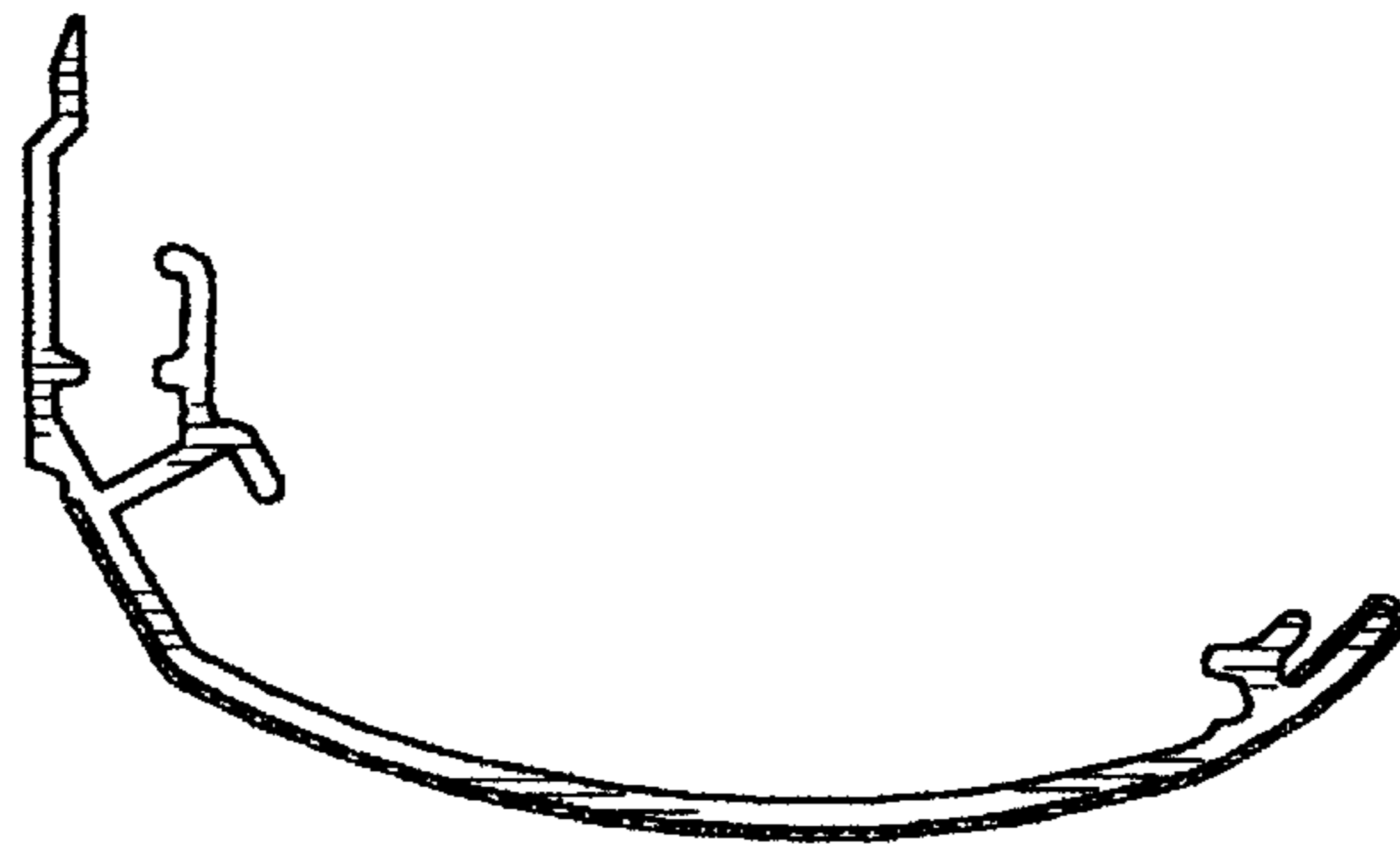
**Fig. 13**



**Fig. 14**



**Fig. 15**



**Fig. 16**

UNITED STATES PATENT AND TRADEMARK OFFICE  
**CERTIFICATE OF CORRECTION**

PATENT NO. : Des. 530,967 S  
APPLICATION NO. : 29/239355  
DATED : October 31, 2006  
INVENTOR(S) : Stephen P. Smith

Page 1 of 8

It is certified that error appears in the above-identified patent and that said Letters Patent is hereby corrected as shown below:

The title page, showing illustrative figures, should be deleted and substitute therefore the attached title page.

Delete drawing sheets 1 through 6 and replace with formal drawing sheets 1 through 6 attached.

Signed and Sealed this

Twentieth Day of March, 2007

A handwritten signature in black ink on a dotted background. The signature reads "Jon W. Dudas" in a cursive style.

JON W. DUDAS

*Director of the United States Patent and Trademark Office*



(12) **United States Design Patent** (10) Patent No.: **US D530,967 S**  
 Smith (45) Date of Patent: **\*\* Oct. 31, 2006**

(54) **HEADRAIL FOR COVERING FOR ARCHITECTURAL OPENINGS**

(75) Inventor: **Stephen P. Smith, Denver, CO (US)**

(73) Assignee: **Hunter Douglas Inc., Upper Saddle River, NJ (US)**

(\*\*) Term: **14 Years**

(21) Appl. No.: **29/239,355**

(22) Filed: **Sep. 29, 2005**

(51) LOC (8) Cl. .... **05-10**

(52) U.S. Cl. .... **D6/580**

(58) Field of Classification Search ..... **D6/575-580;**  
**160/38, 39, 170, 177, 178.1 R; 248/251,**  
**248/261**

See application file for complete search history.

(56) **References Cited**

**U.S. PATENT DOCUMENTS**

2,508,737 A *	5/1950	Zeto .....	248/263
D170,342 S *	9/1953	Skwark .....	D6/575
2,823,743 A *	2/1958	Isaac .....	160/39
5,598,880 A *	2/1997	Cross .....	160/39
D386,641 S *	11/1997	Gray, III .....	D6/575
6,202,967 B1 *	3/2001	Fraczek .....	248/261
D449,444 S *	4/2001	Sonnenberg et al. ....	D6/580
D443,457 S *	6/2001	Horsten .....	D6/580
D445,621 S *	7/2001	Judkins .....	D6/575
D455,336 S *	4/2002	Anderson .....	D8/377
D488,945 S *	4/2004	Bibby et al. ....	D6/580
2002/0046816 A1 *	4/2002	Judkins .....	160/32

\* cited by examiner

Primary Examiner—**Holly Baynham**  
 Assistant Examiner—**Cynthia M. Chiu**  
 (74) Attorney, Agent, or Firm—**Dorsey & Whitney LLP**

(57) **CLAIM**

I claim a headrail for covering for architectural openings, as shown and described.

**DESCRIPTION**

FIG. 1 is an isometric of the headrail of the present invention looking at the front.

FIG. 2 is a rear isometric similar to FIG. 1.

FIG. 3 is a top plan view.

FIG. 4 is a front elevation.

FIG. 5 is a bottom plan view.

FIG. 6 is a left side elevation of the headrail as shown in FIG. 7.

FIG. 7 is a rear elevation.

FIG. 8 is a right side elevation of the headrail as shown in FIG. 7.

FIG. 9 is a front isometric of a first alternative embodiment to the headrail shown in FIG. 1 with the front of the headrail having a fabric covering thereon.

FIG. 10 is a rear isometric similar to FIG. 9.

FIG. 11 is a top plan view of the headrail of FIG. 9.

FIG. 12 is a front elevation of the headrail of FIG. 9.

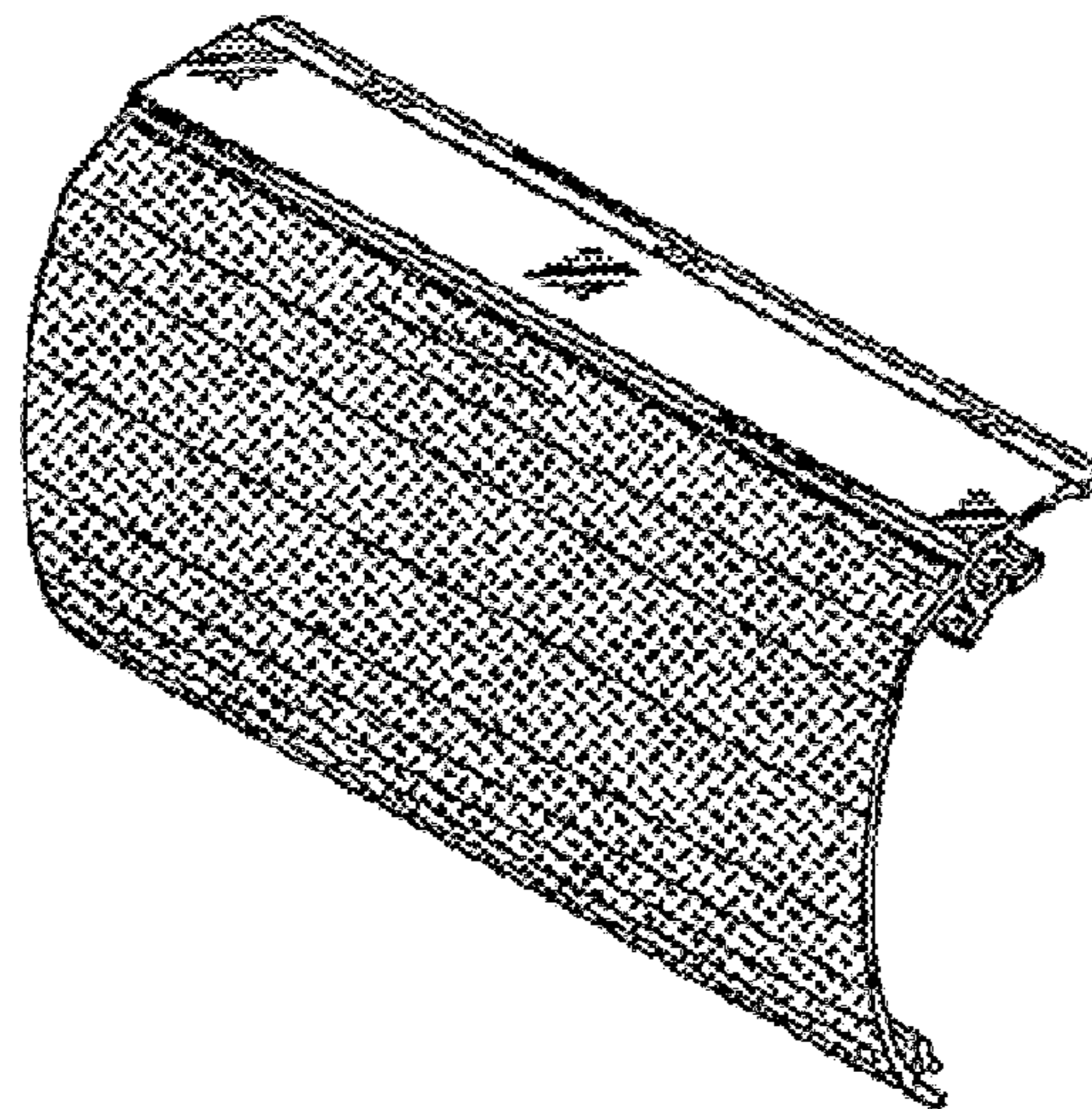
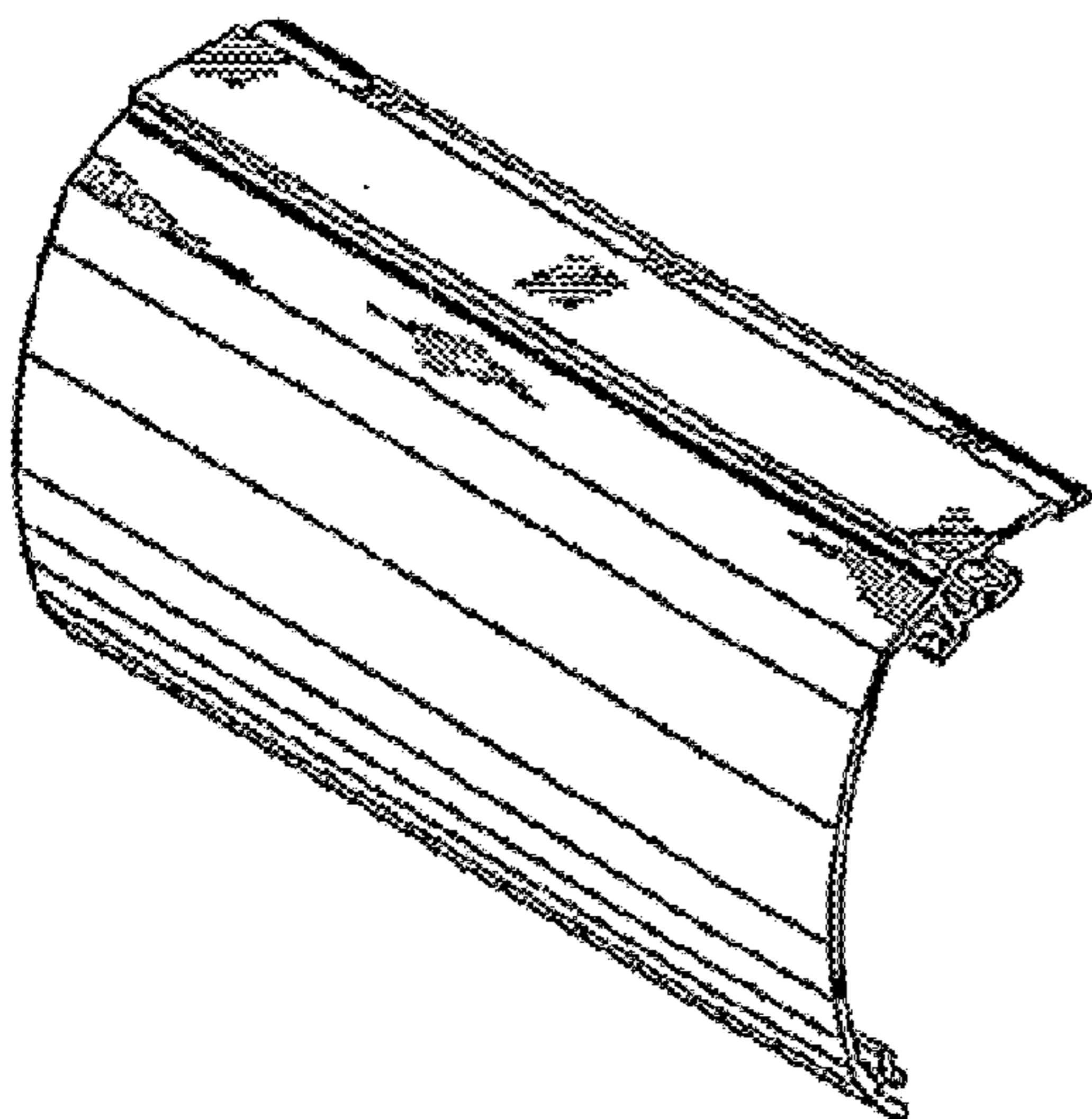
FIG. 13 is a bottom plan view of the headrail of FIG. 9.

FIG. 14 is a left side elevation of the headrail as shown in FIG. 15.

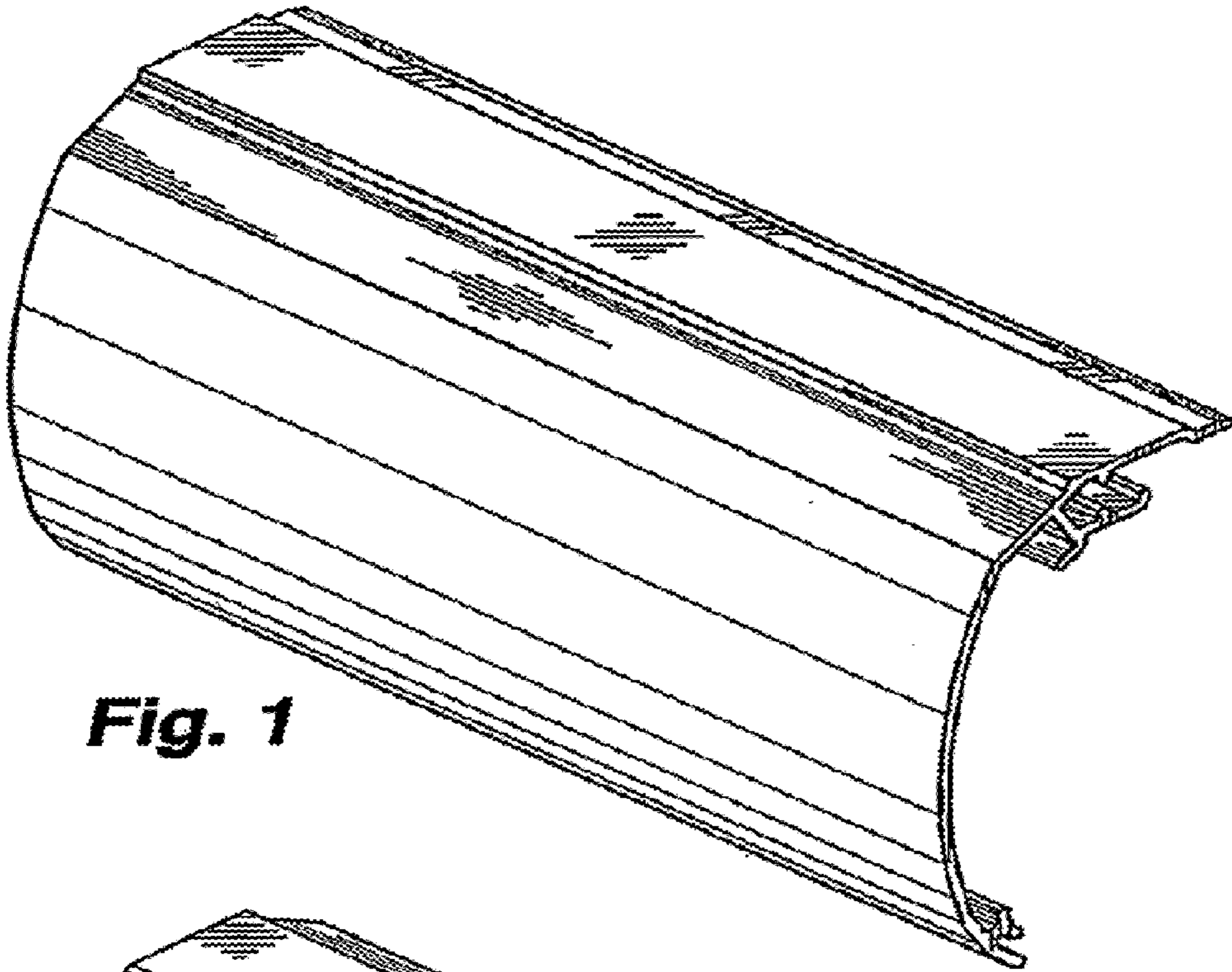
FIG. 15 is a rear elevation of the headrail of FIG. 9; and,

FIG. 16 is a right elevation of the headrail as shown in FIG. 15.

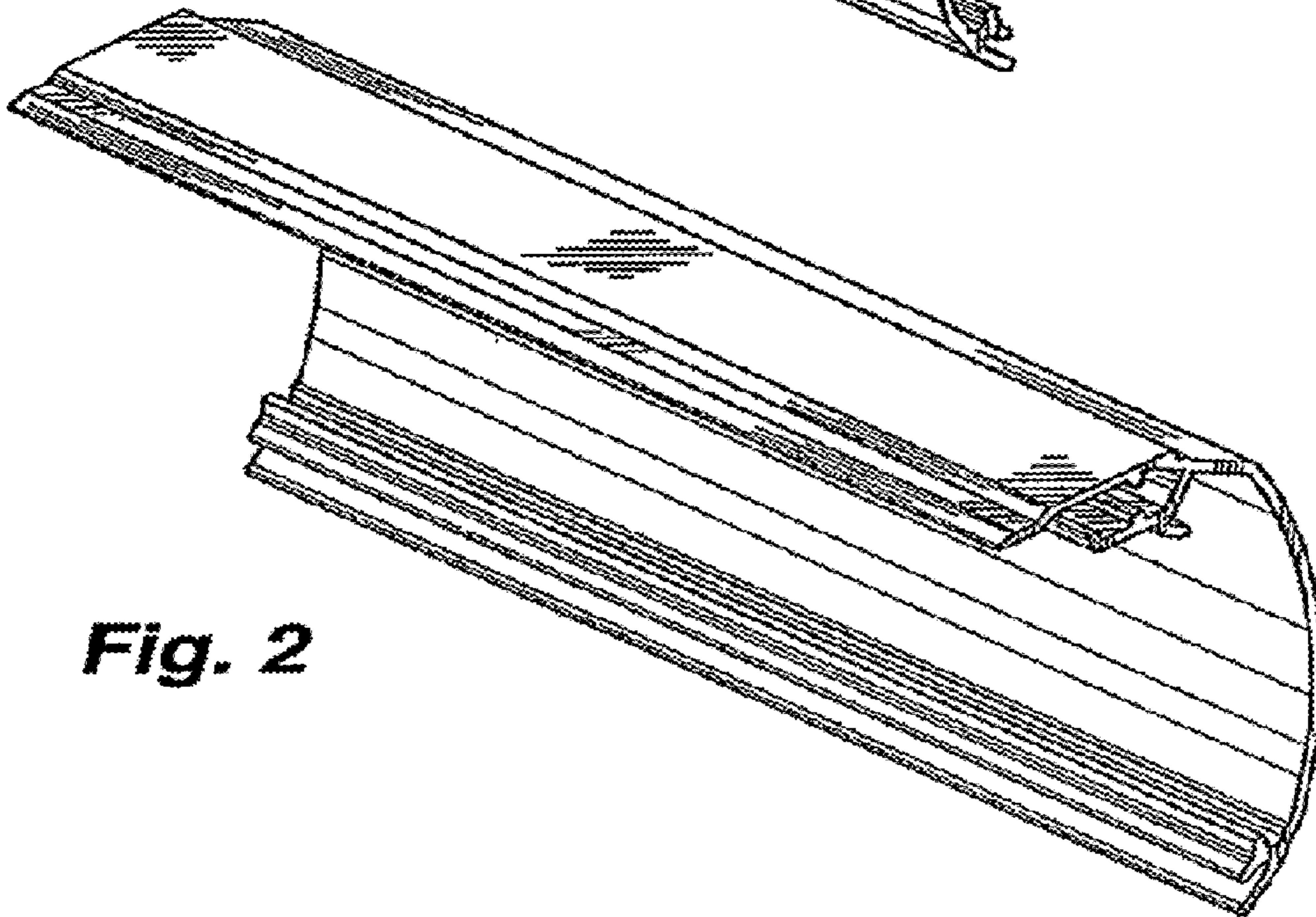
1 Claim, 6 Drawing Sheets



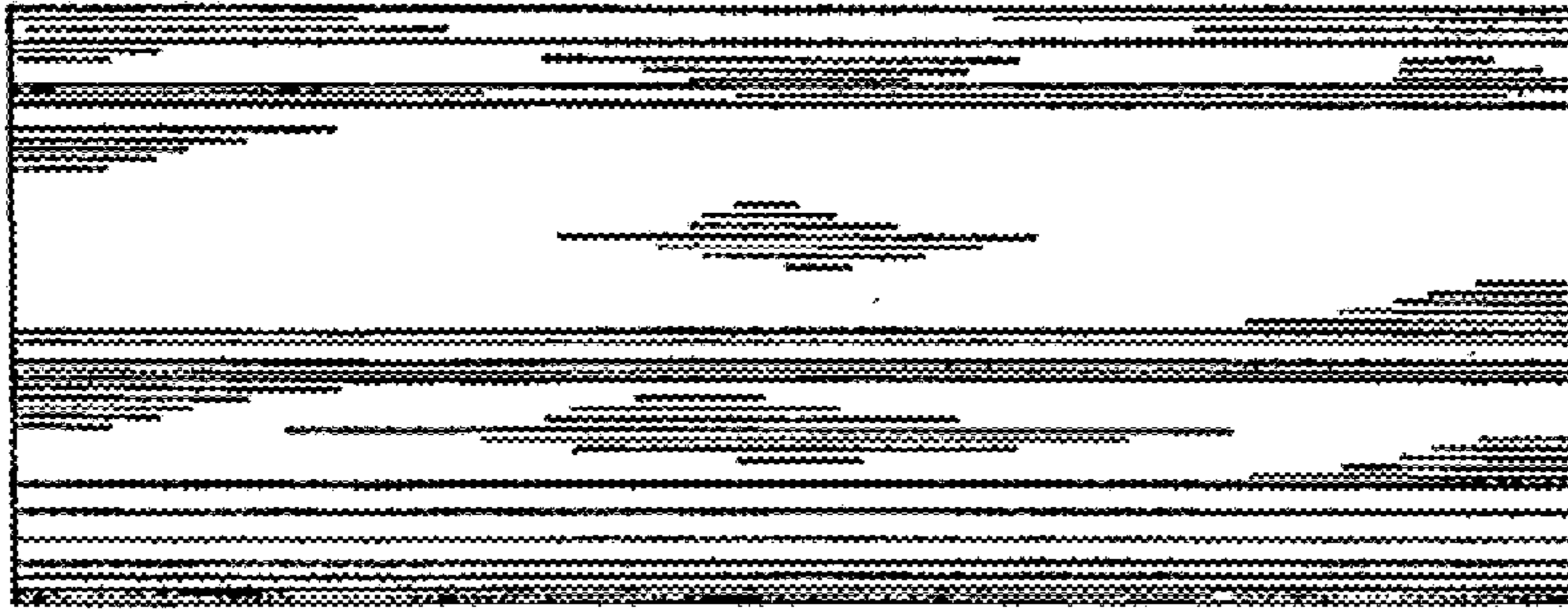




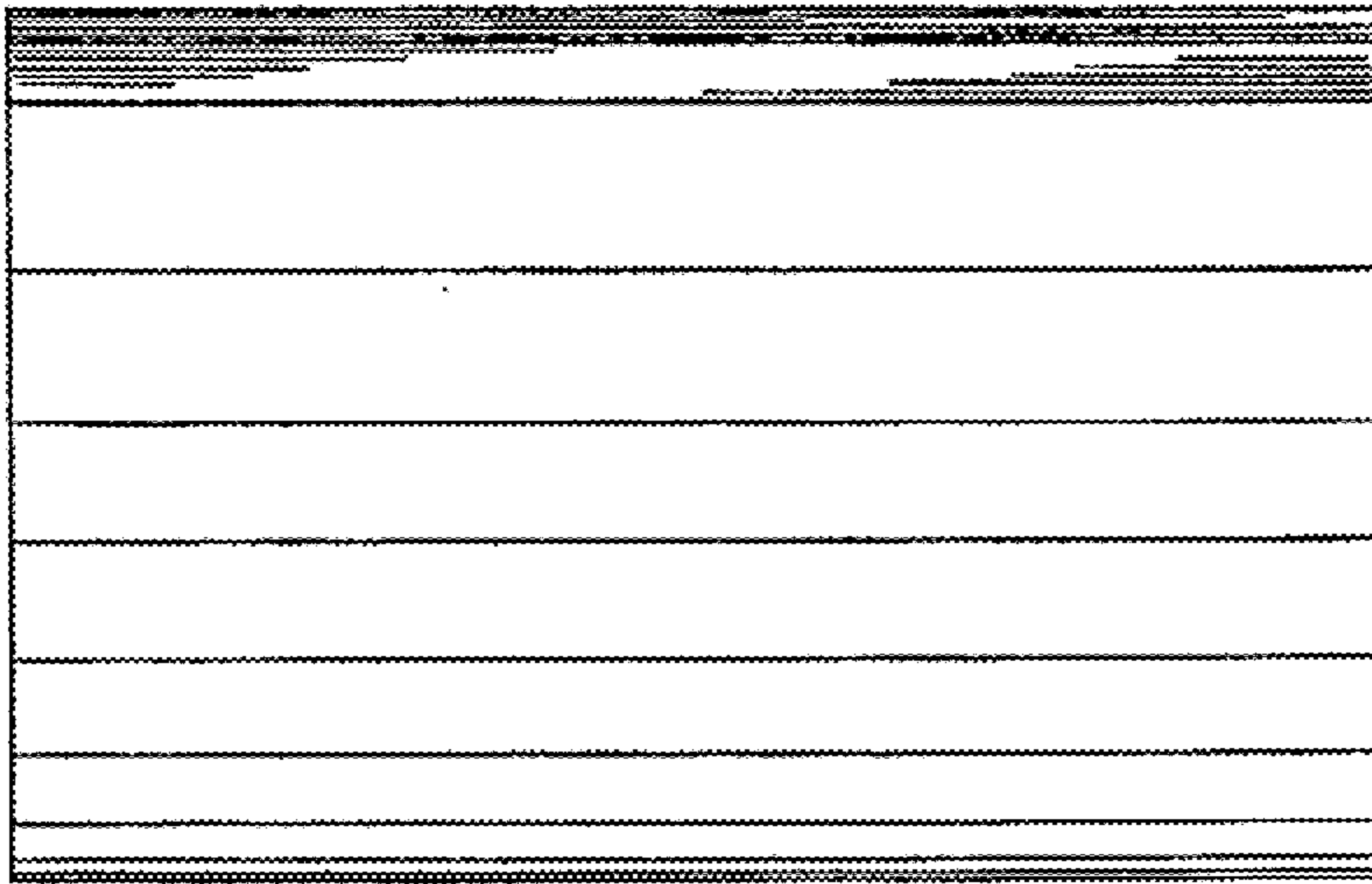
**Fig. 1**



**Fig. 2**



**Fig. 3**



**Fig. 4**



**Fig. 5**



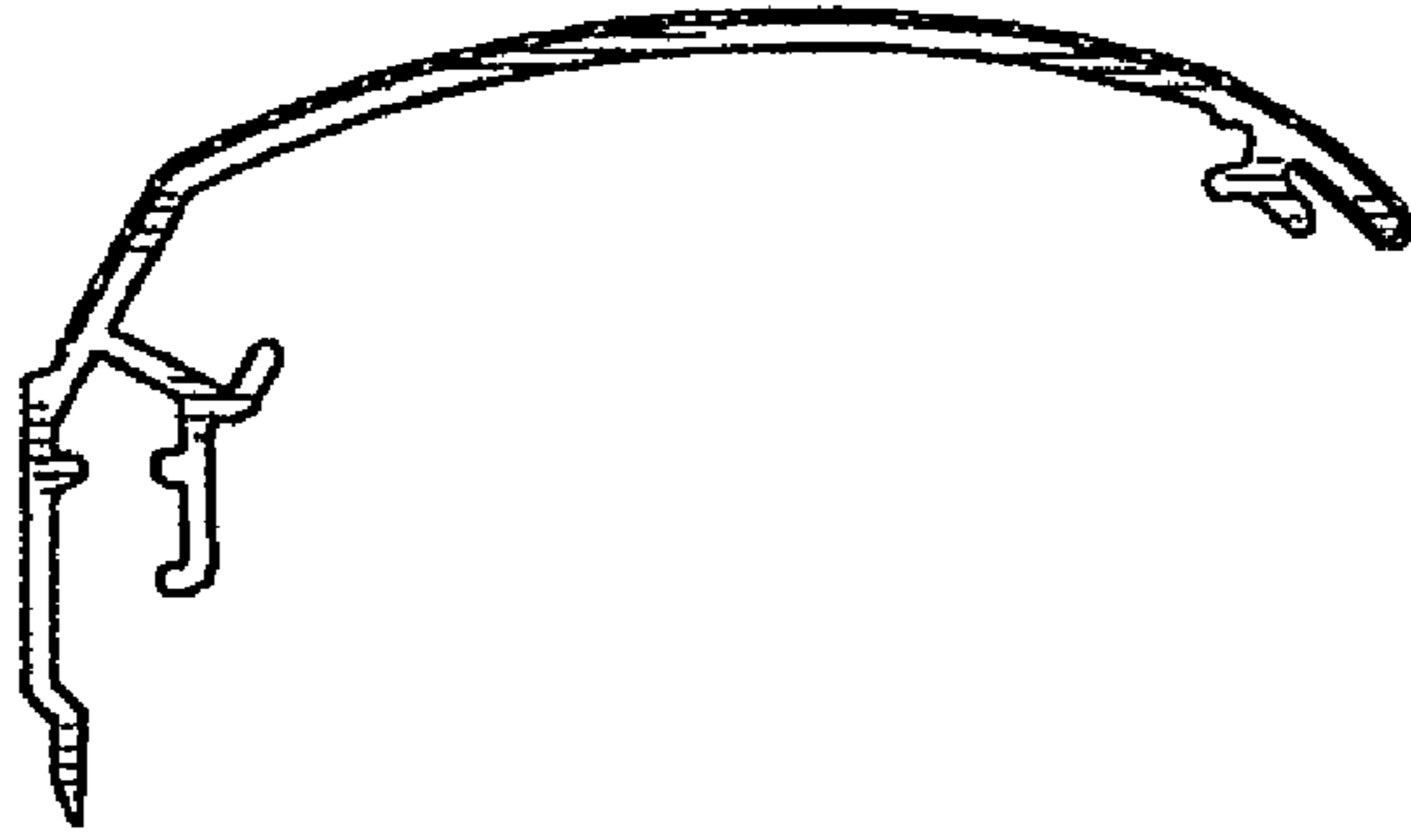


Fig. 8

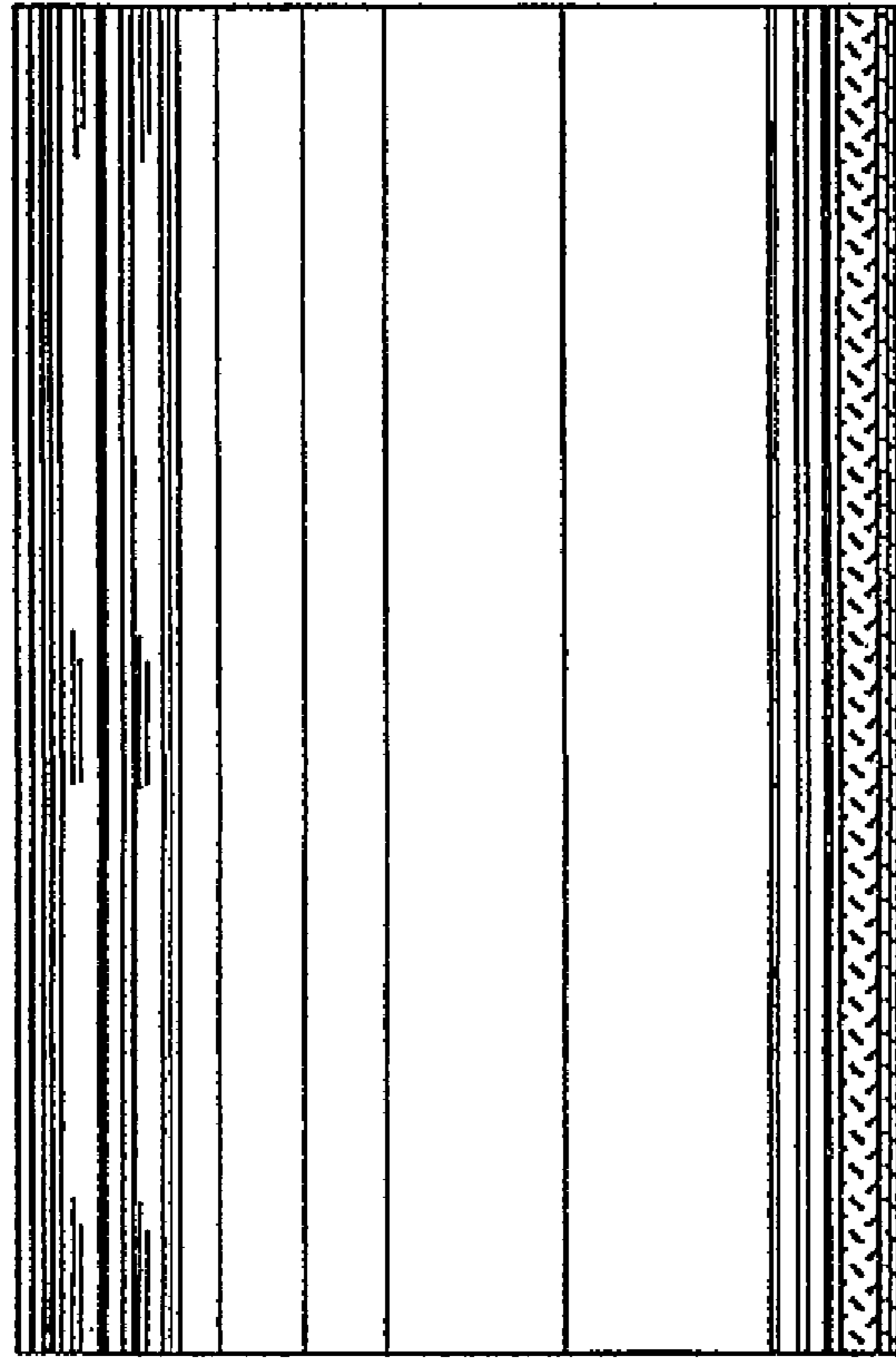
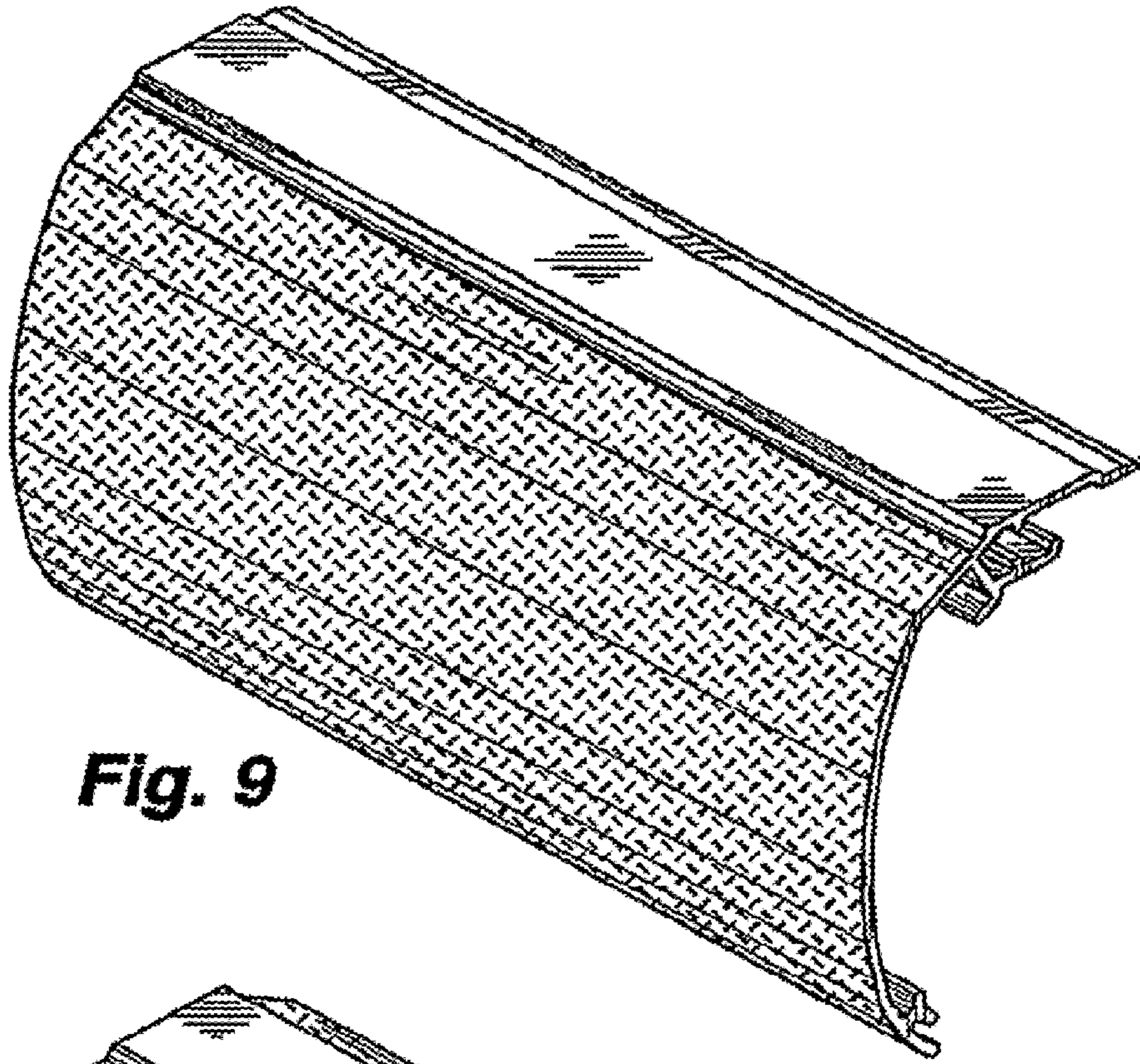


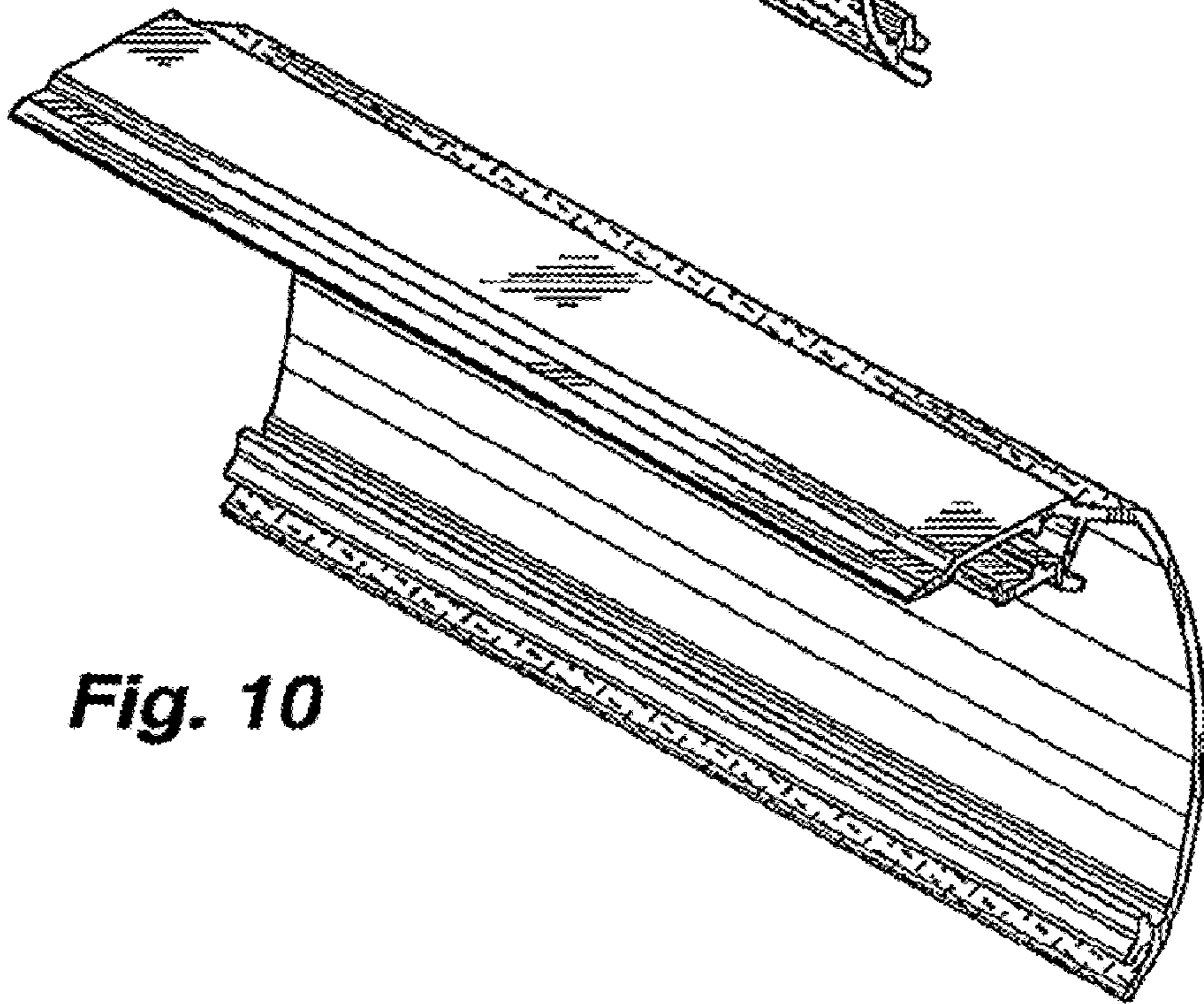
Fig. 7



Fig. 6

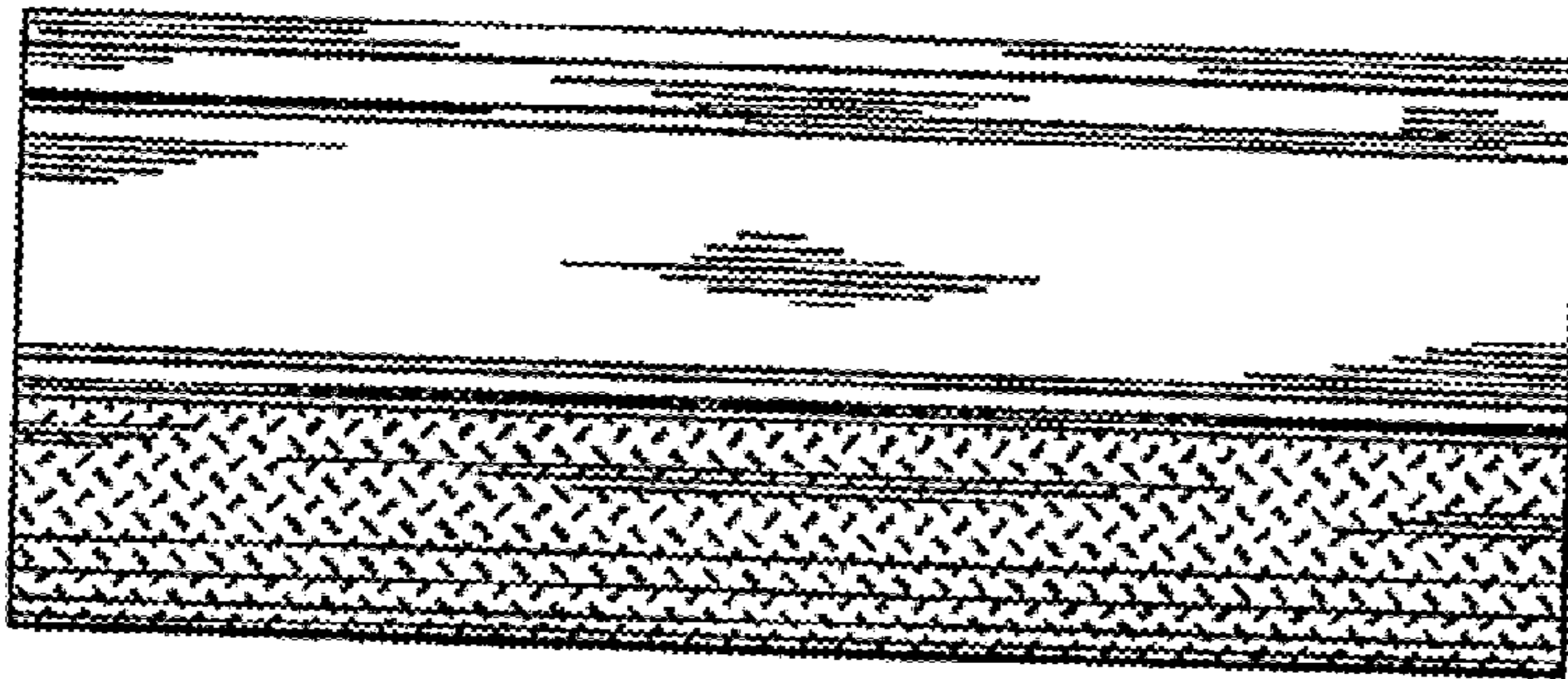


**Fig. 9**

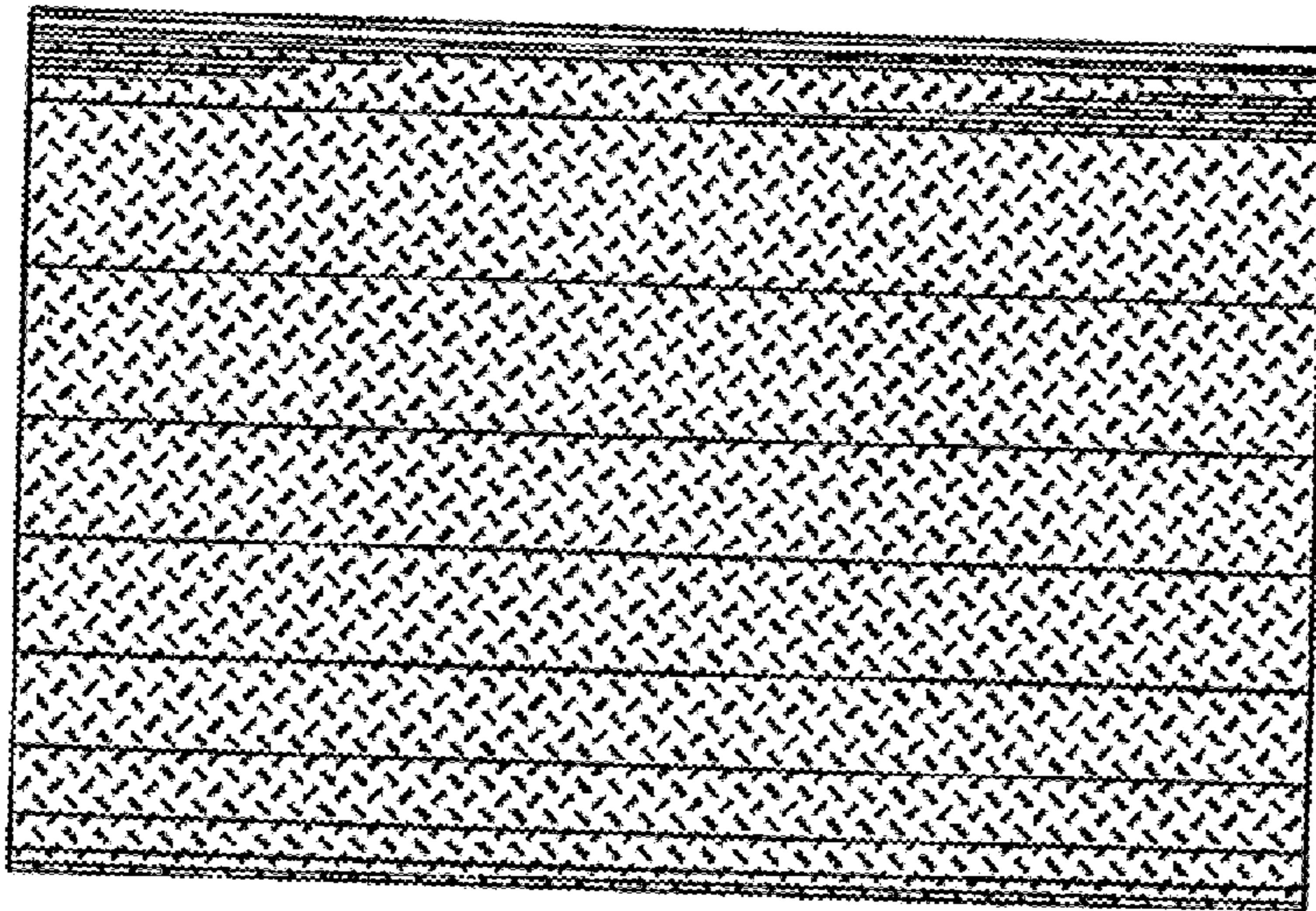


**Fig. 10**

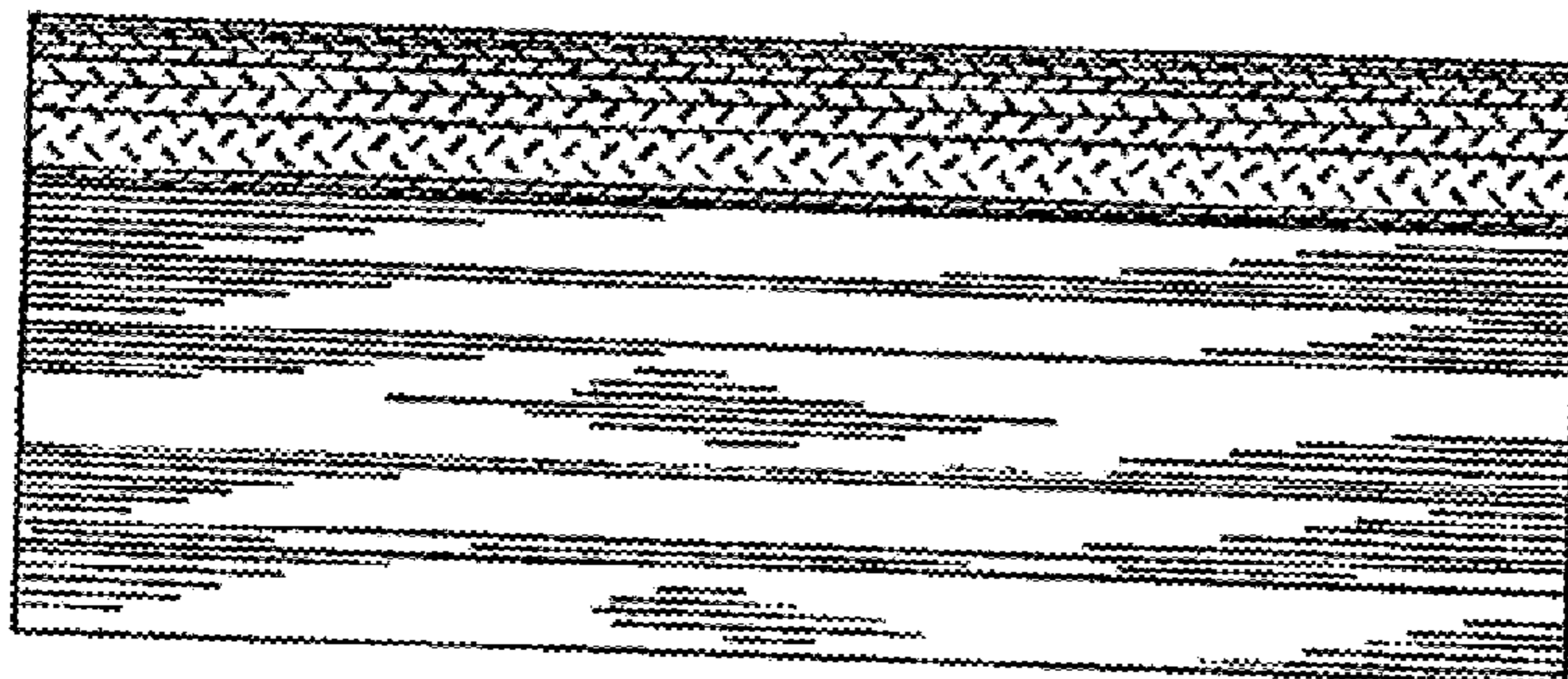




**Fig. 11**



**Fig. 12**



**Fig. 13**





Fig. 14

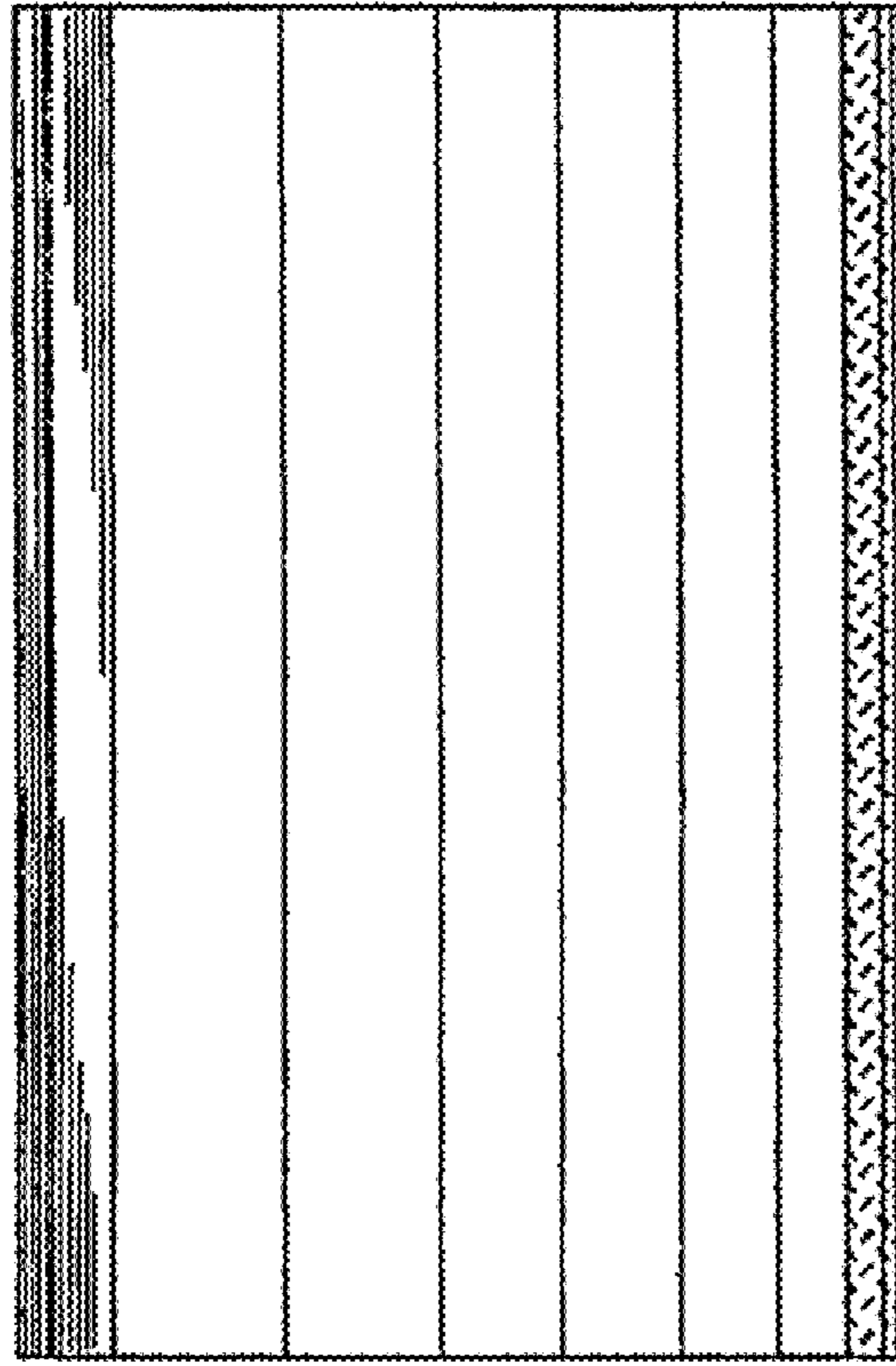


Fig. 15

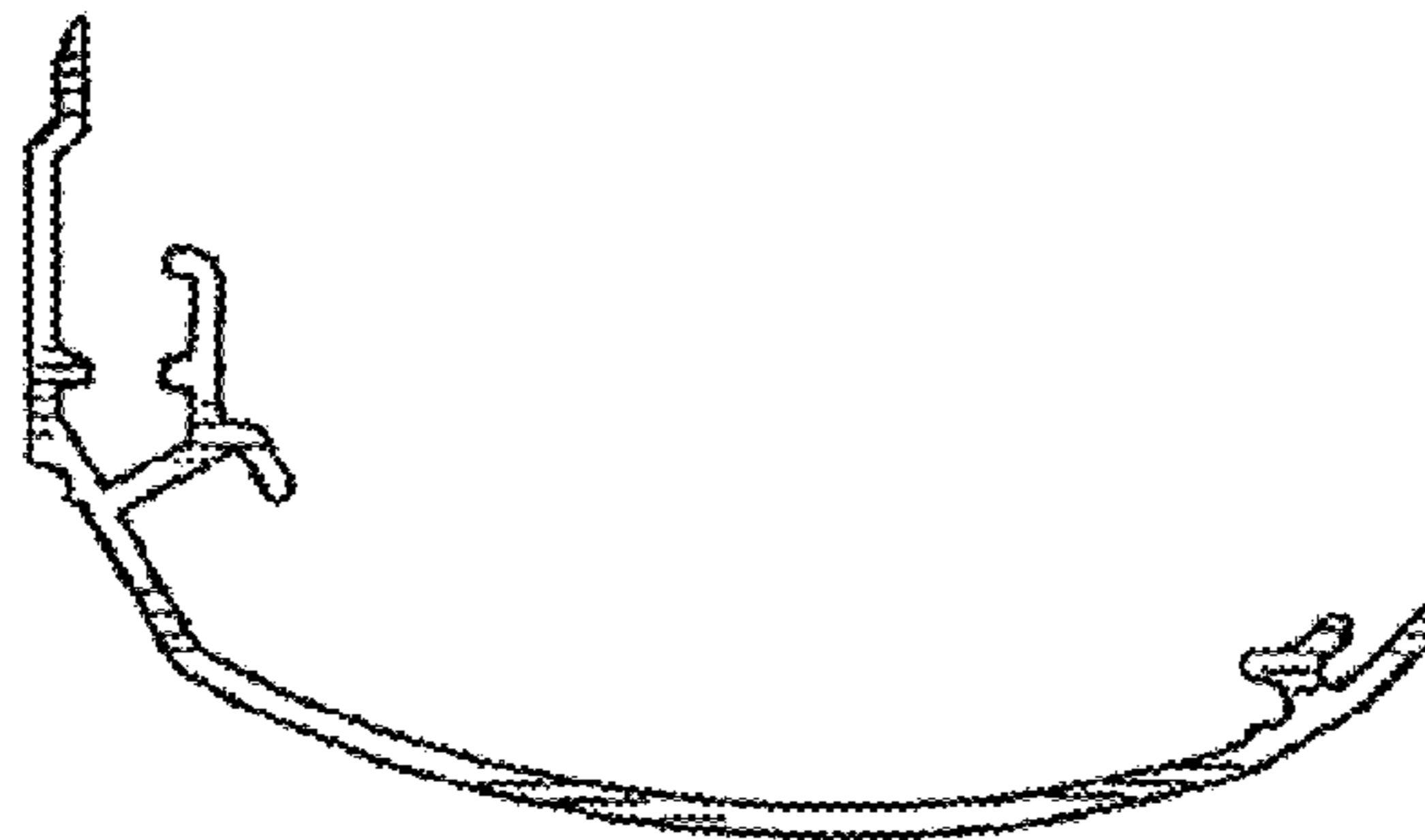


Fig. 16

UNITED STATES PATENT AND TRADEMARK OFFICE  
**CERTIFICATE OF CORRECTION**

PATENT NO. : Des. 530,967 S  
APPLICATION NO. : 29/239355  
DATED : October 31, 2006  
INVENTOR(S) : Stephen P. Smith

Page 1 of 8

It is certified that error appears in the above-identified patent and that said Letters Patent is hereby corrected as shown below:

The title page, showing illustrative figures, should be deleted and substitute therefore the attached title page.

Delete drawing sheets 1 through 6 and replace with formal drawing sheets 1 through 6 attached.

Signed and Sealed this

Twenty-seventh Day of March, 2007

A handwritten signature in black ink on a light gray dotted background. The signature reads "Jon W. Dudas" in a cursive style.

JON W. DUDAS

*Director of the United States Patent and Trademark Office*

**(12) United States Design Patent**  
**Smith**

**(10) Patent No.: US D530,967 S**  
**(45) Date of Patent: \*\* Oct. 31, 2006**

**(54) HEADRAIL FOR COVERING FOR ARCHITECTURAL OPENINGS**

**(75) Inventor:** Stephen P. Smith, Denver, CO (US)

**(73) Assignee:** Hunter Douglas Inc., Upper Saddle River, NJ (US)

**(\*\*)** Term: 14 Years

**(21) Appl. No.:** 29/239,355

**(22) Filed:** Sep. 29, 2005

**(51) LOC (8) CL** ..... 06-10

**(52) U.S. CL** ..... D6/580

**(58) Field of Classification Search** ..... D6/575-580;  
 160/38, 39, 170, 177, 178.1 R; 248/251,  
 248/261

See application file for complete search history.

**(56) References Cited**

**U.S. PATENT DOCUMENTS**

2,508,737 A *	5/1950	Zabo .....	248/263
D170,342 S *	9/1959	Skwark .....	D6/575
2,823,743 A *	2/1958	Issac .....	160/39
5,594,880 A *	2/1997	Cross .....	160/38
D386,641 S *	11/1997	Gray, III .....	D6/575
6,302,967 B1 *	3/2001	Enczak .....	248/261
D440,444 S *	4/2001	Sonnenberg et al. ....	D6/580
D443,457 S *	6/2001	Horsten .....	D6/580
D445,621 S *	7/2001	Judkias .....	D6/575
D455,336 S *	4/2002	Anderson .....	D8/377
D488,945 S *	4/2004	Bibby et al. ....	D6/380
2007/0045816 A1 *	4/2002	Judkias .....	160/32

\* cited by examiner

*Primary Examiner*—Holly Baynham  
*Assistant Examiner*—Cynthia M. Chin

**(74) Attorney, Agent, or Firm**—Dorsey & Whitney LLP

**(57) CLAIM**

I claim a headrail for covering for architectural openings, as shown and described.

**DESCRIPTION**

FIG. 1 is an isometric of the headrail of the present invention looking at the front.

FIG. 2 is a rear isometric similar to FIG. 1.

FIG. 3 is a top plan view.

FIG. 4 is a front elevation.

FIG. 5 is a bottom plan view.

FIG. 6 is a left side elevation of the headrail as shown in FIG. 7.

FIG. 7 is a rear elevation.

FIG. 8 is a right side elevation of the headrail as shown in FIG. 7.

FIG. 9 is a front isometric of a first alternative embodiment to the headrail shown in FIG. 1 with the front of the headrail having a fabric covering thereon.

FIG. 10 is a rear isometric similar to FIG. 9.

FIG. 11 is a top plan view of the headrail of FIG. 9.

FIG. 12 is a front elevation of the headrail of FIG. 9.

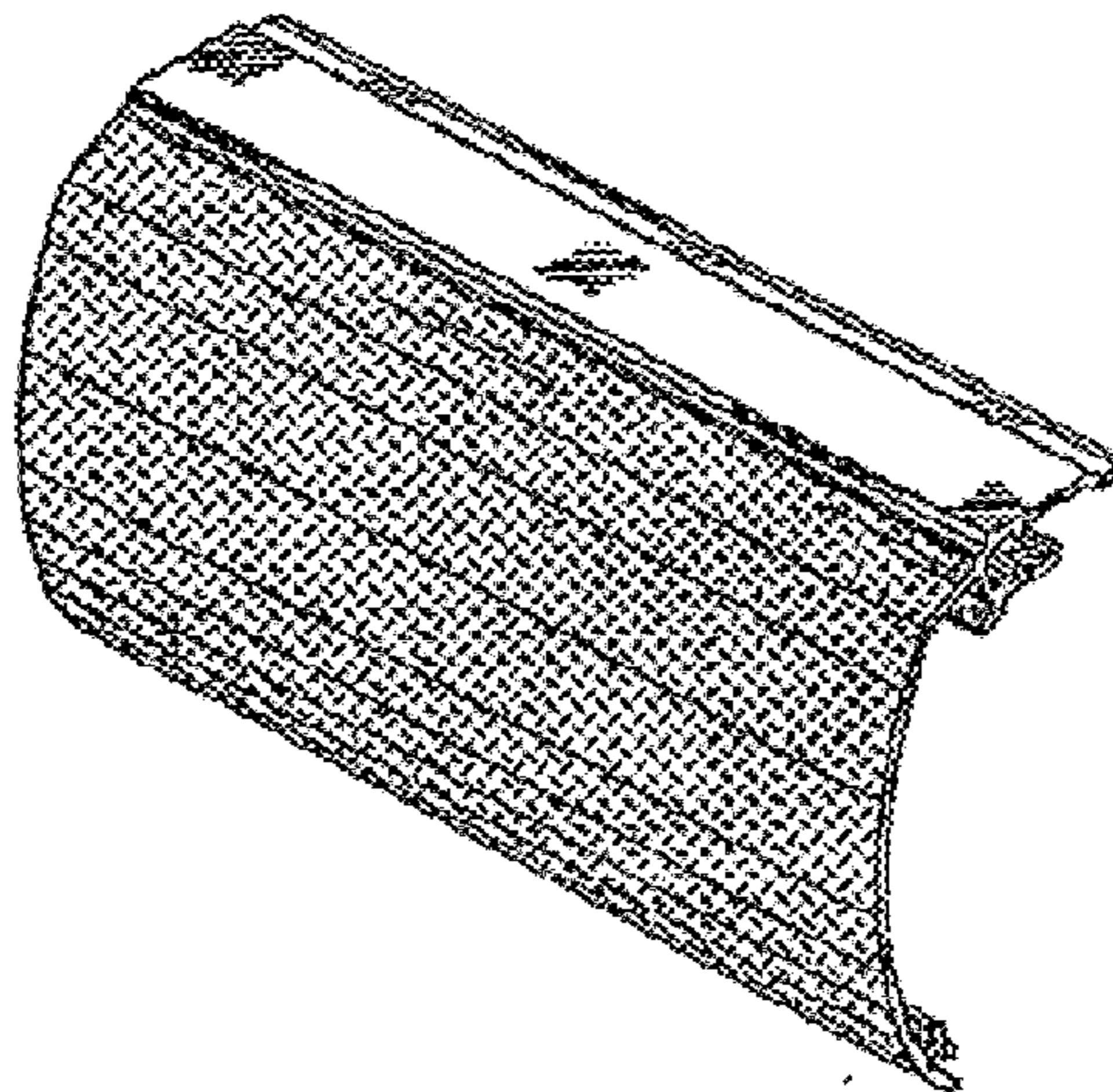
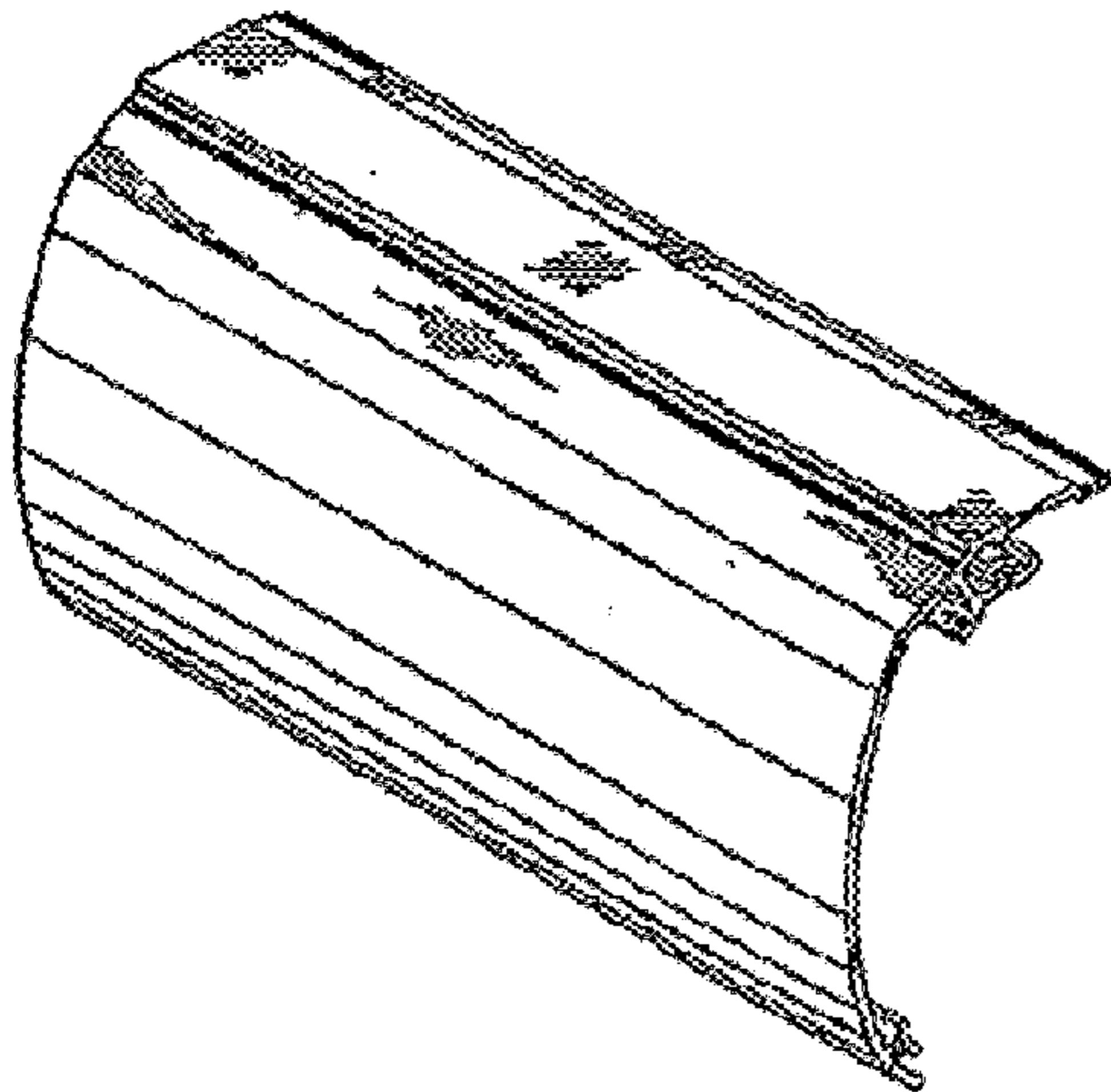
FIG. 13 is a bottom plan view of the headrail of FIG. 9.

FIG. 14 is a left side elevation of the headrail as shown in FIG. 15.

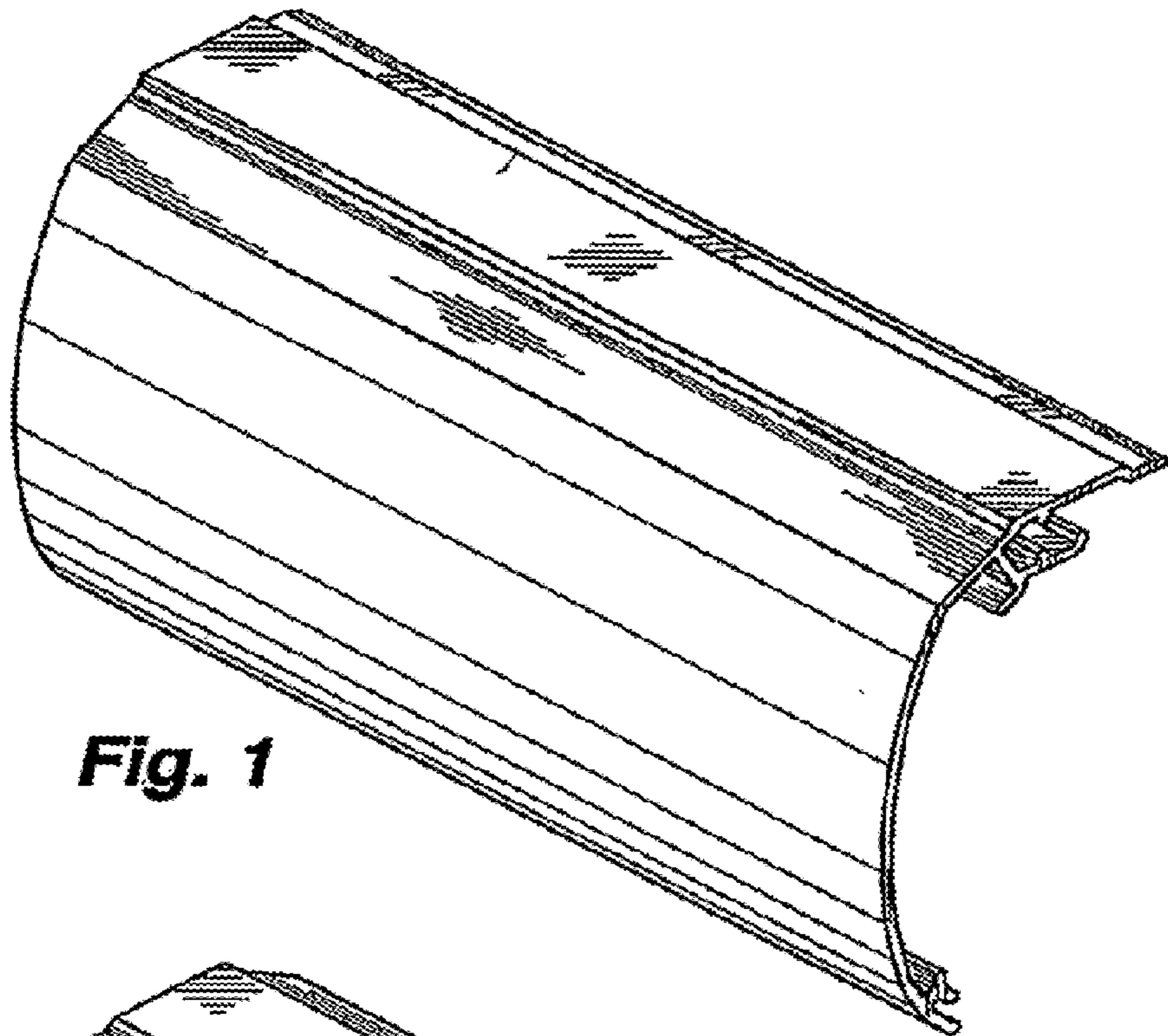
FIG. 15 is a rear elevation of the headrail of FIG. 9; and,

FIG. 16 is a right elevation of the headrail as shown in FIG. 15.

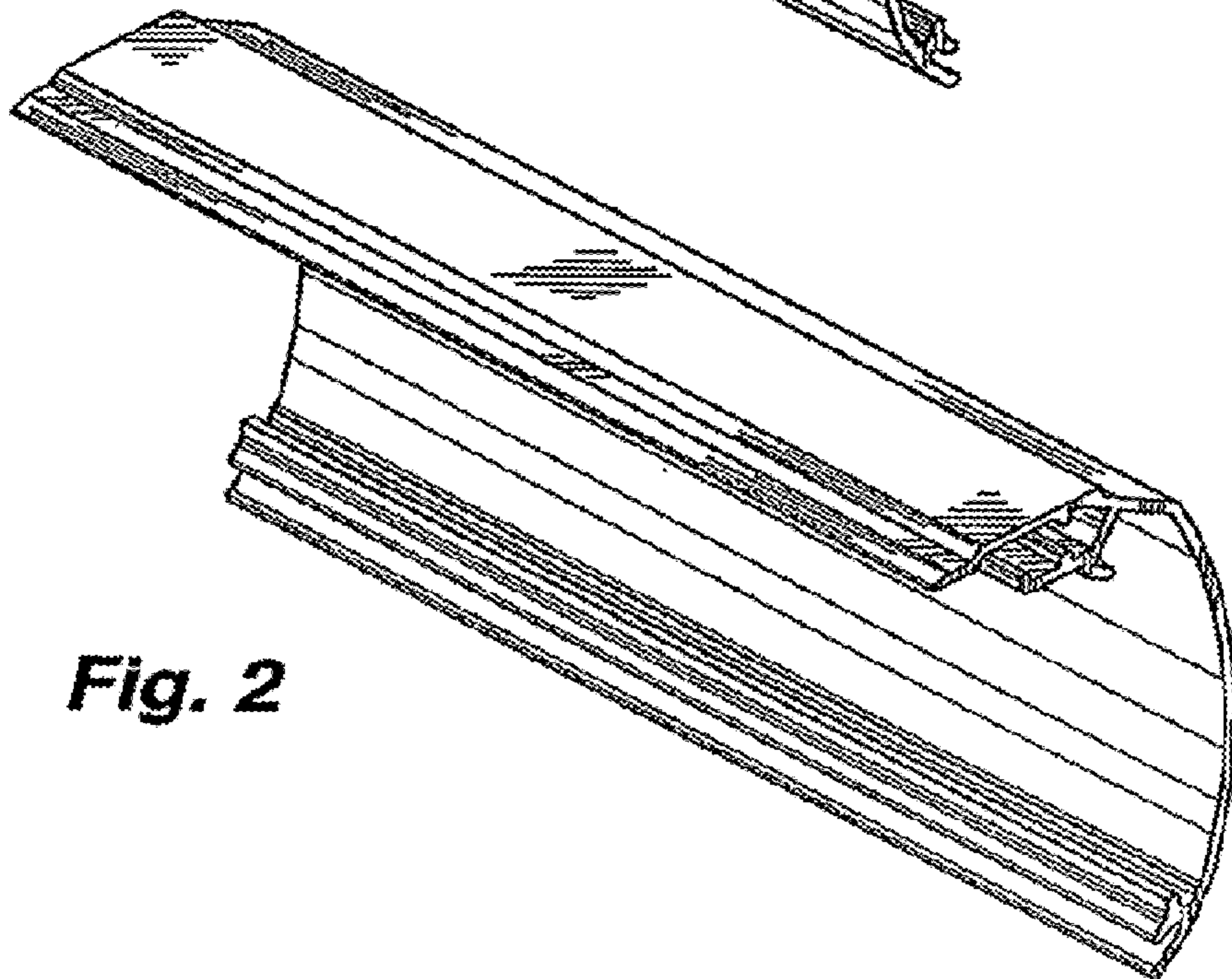
1 Claim, 6 Drawing Sheets







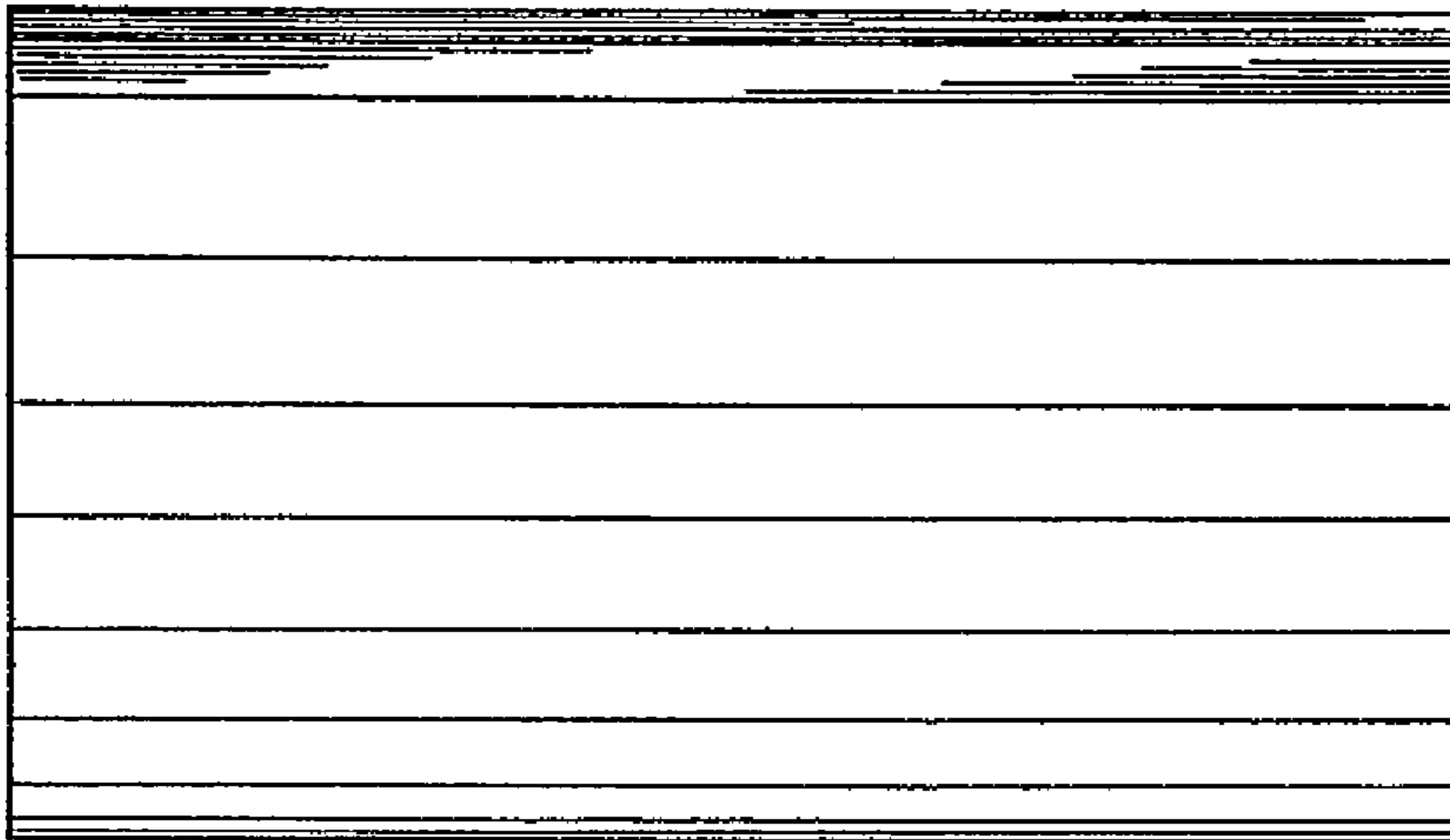
**Fig. 1**



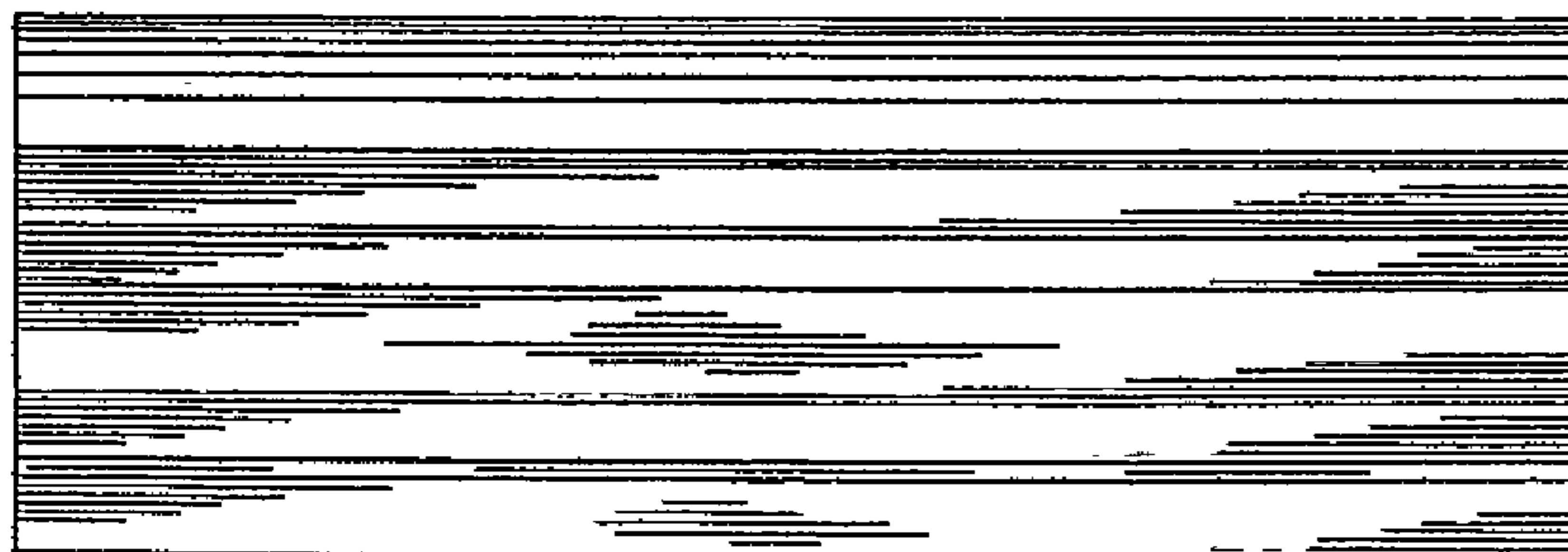
**Fig. 2**



**Fig. 3**



**Fig. 4**



**Fig. 5**



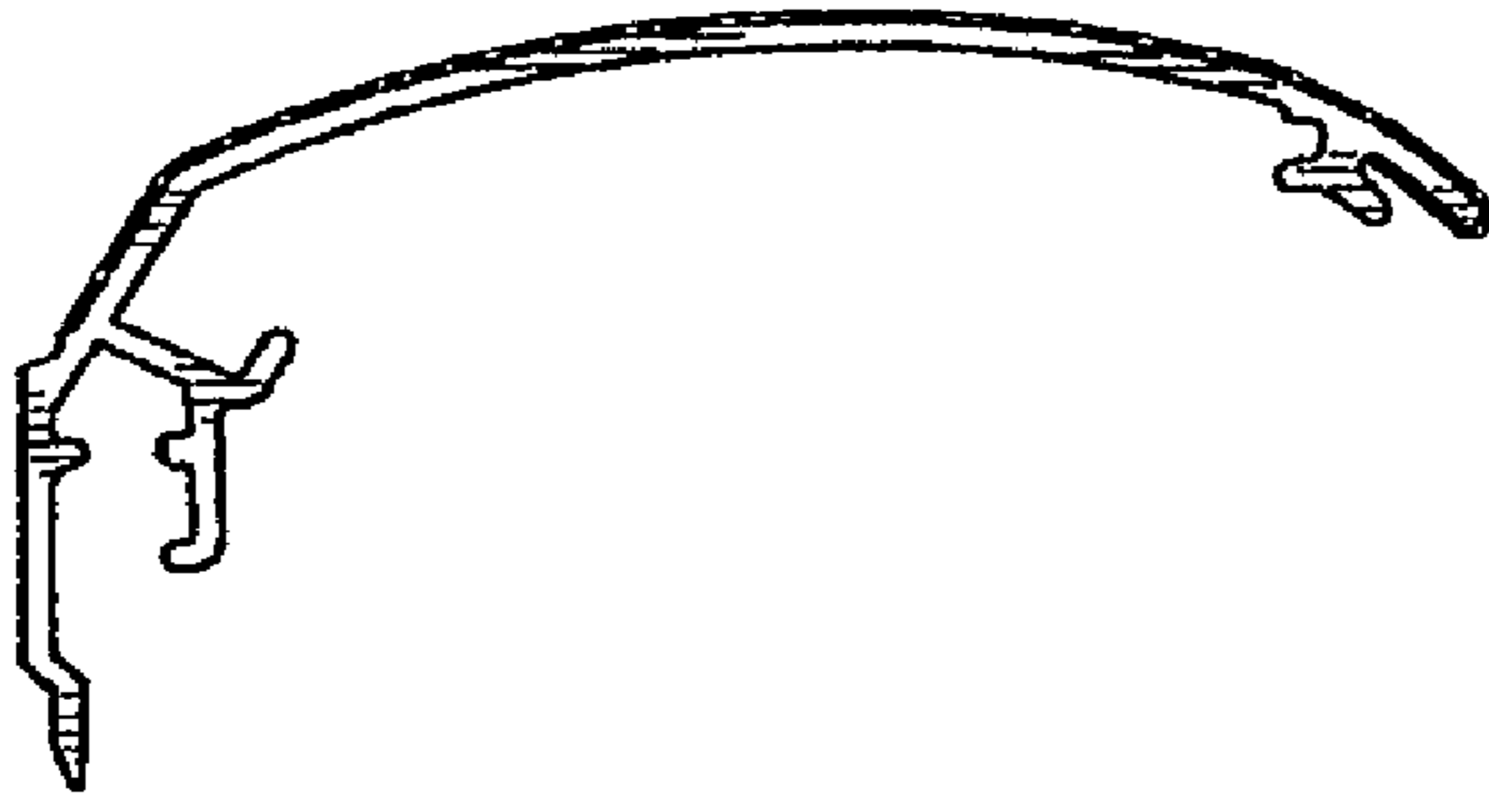


Fig. 8

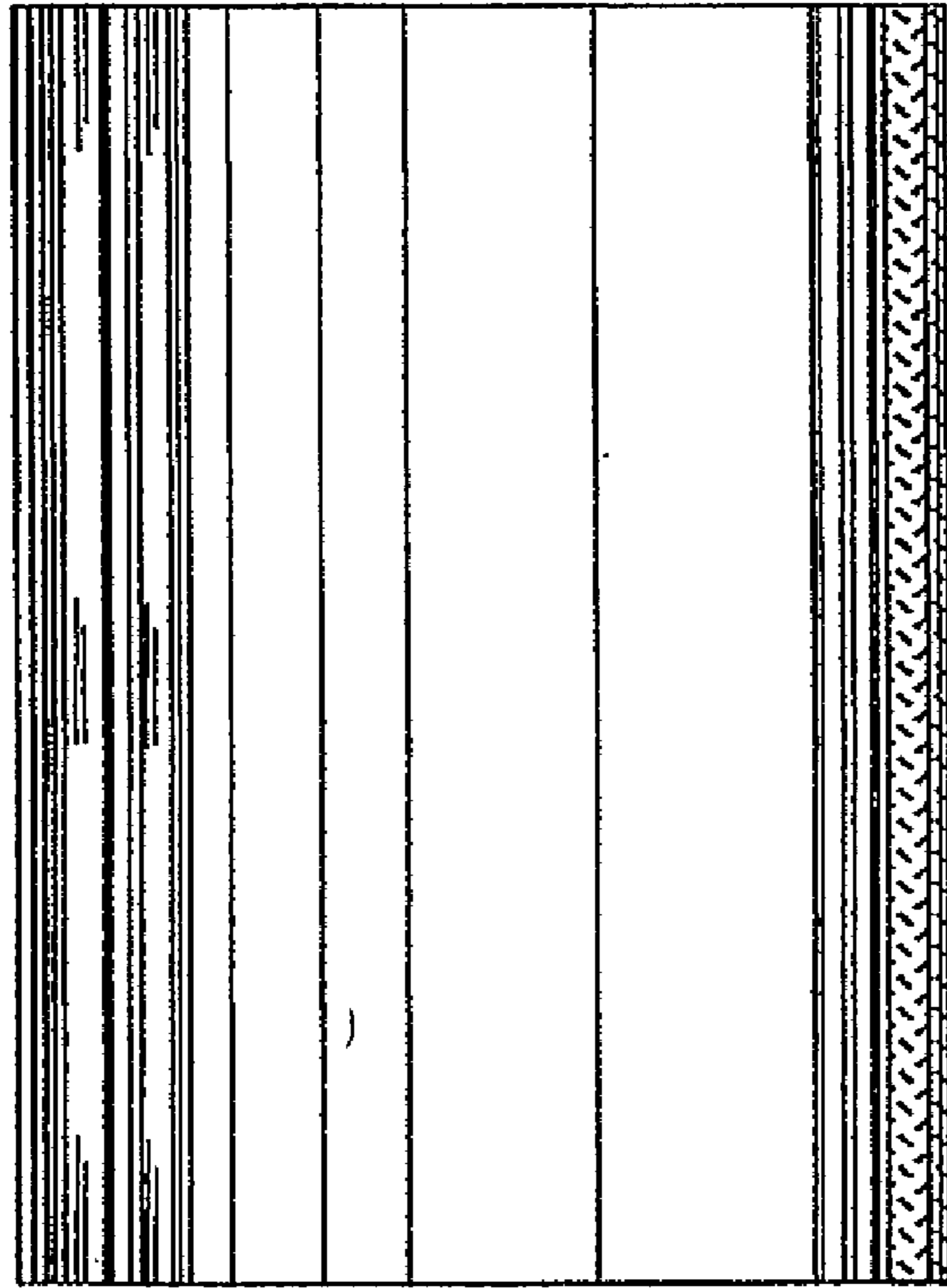
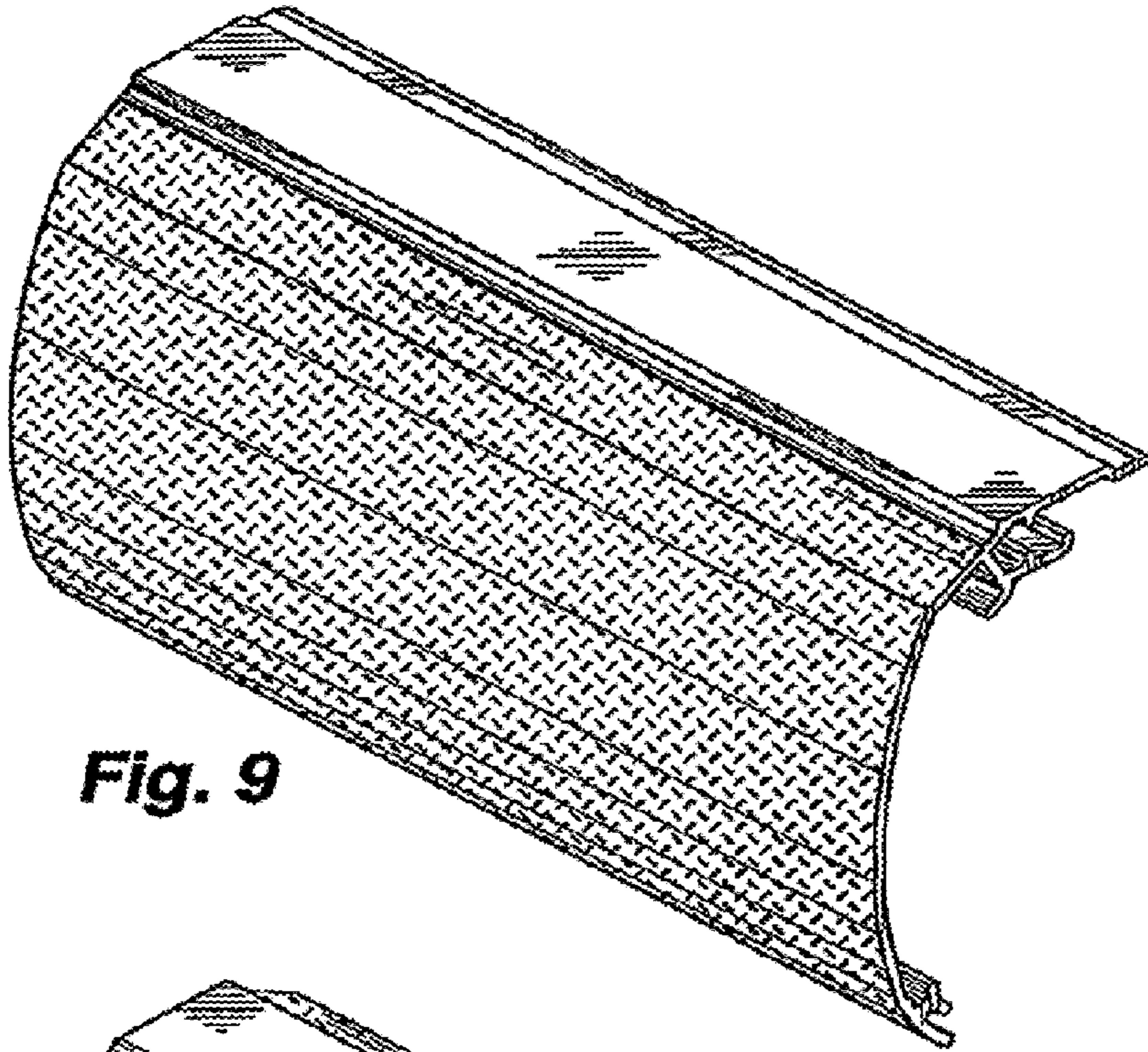


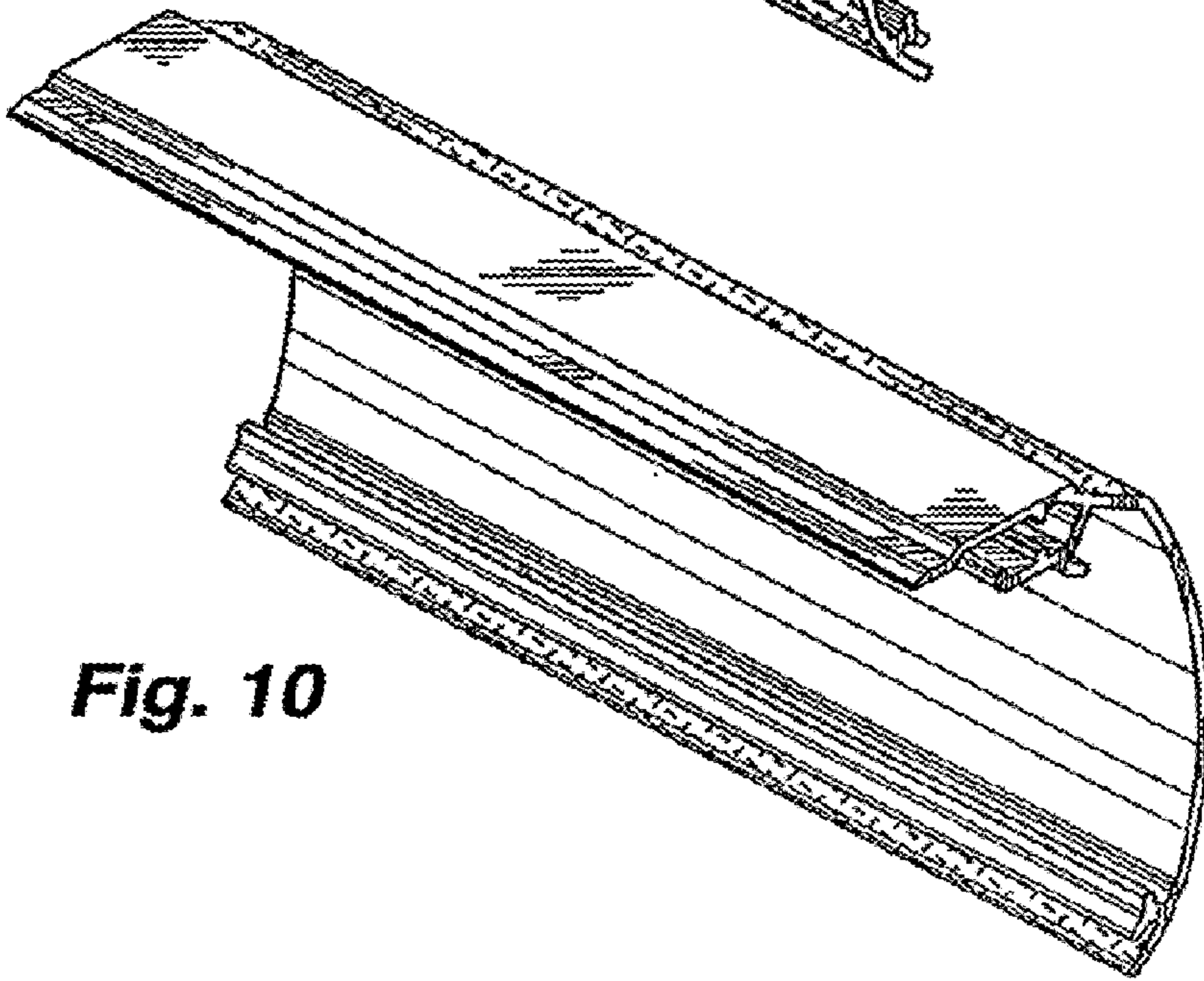
Fig. 7



Fig. 6

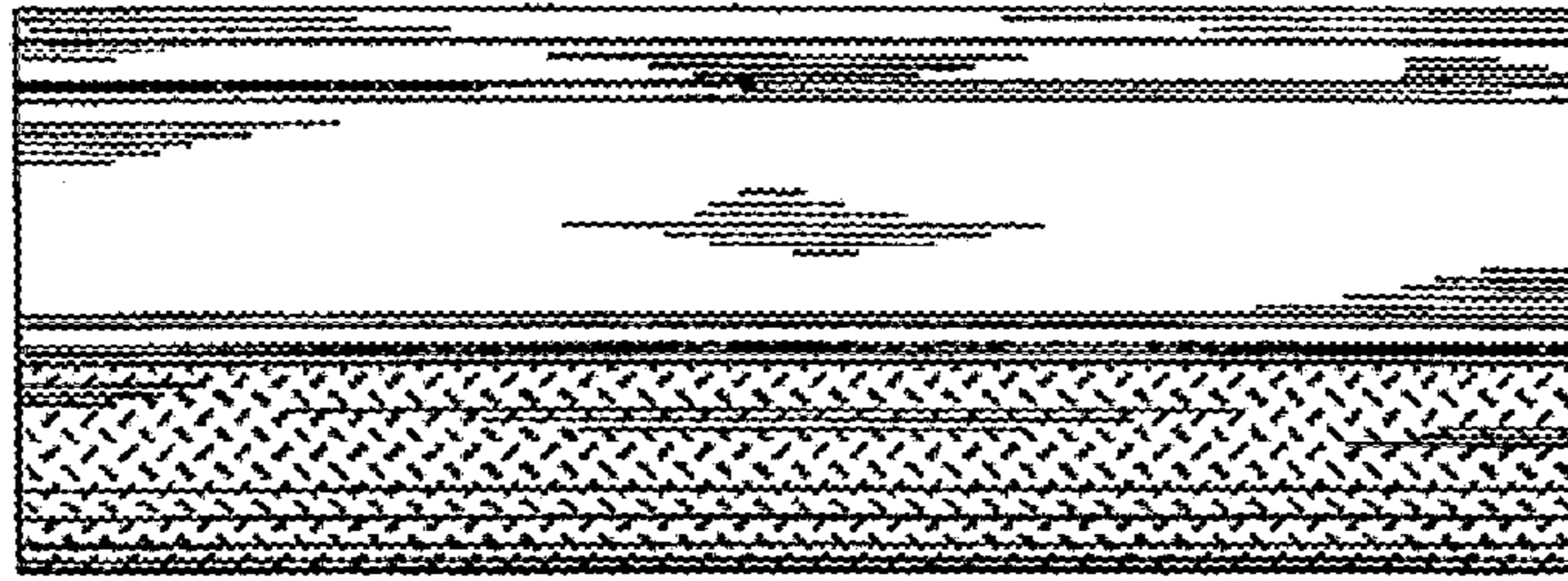


**Fig. 9**

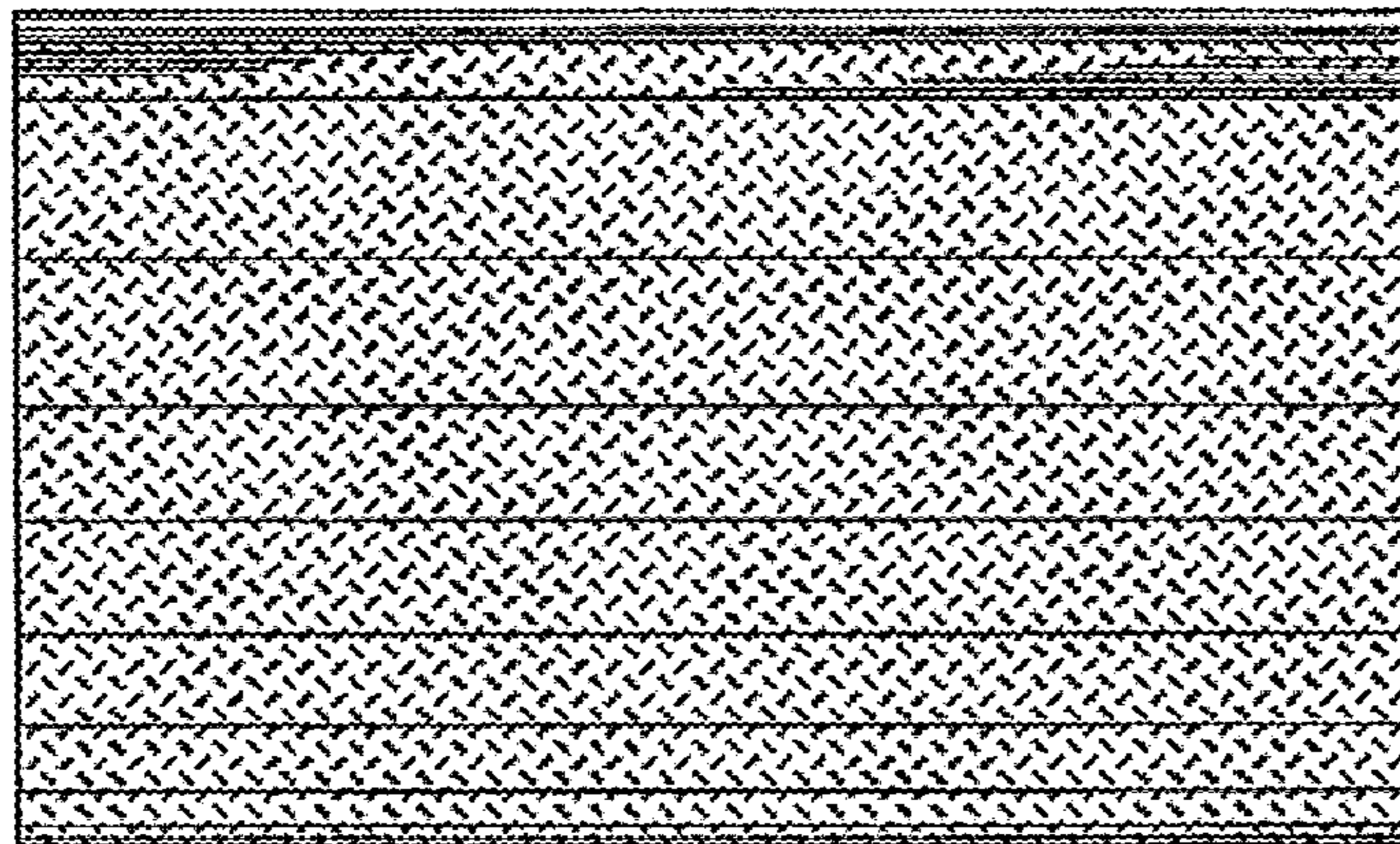


**Fig. 10**

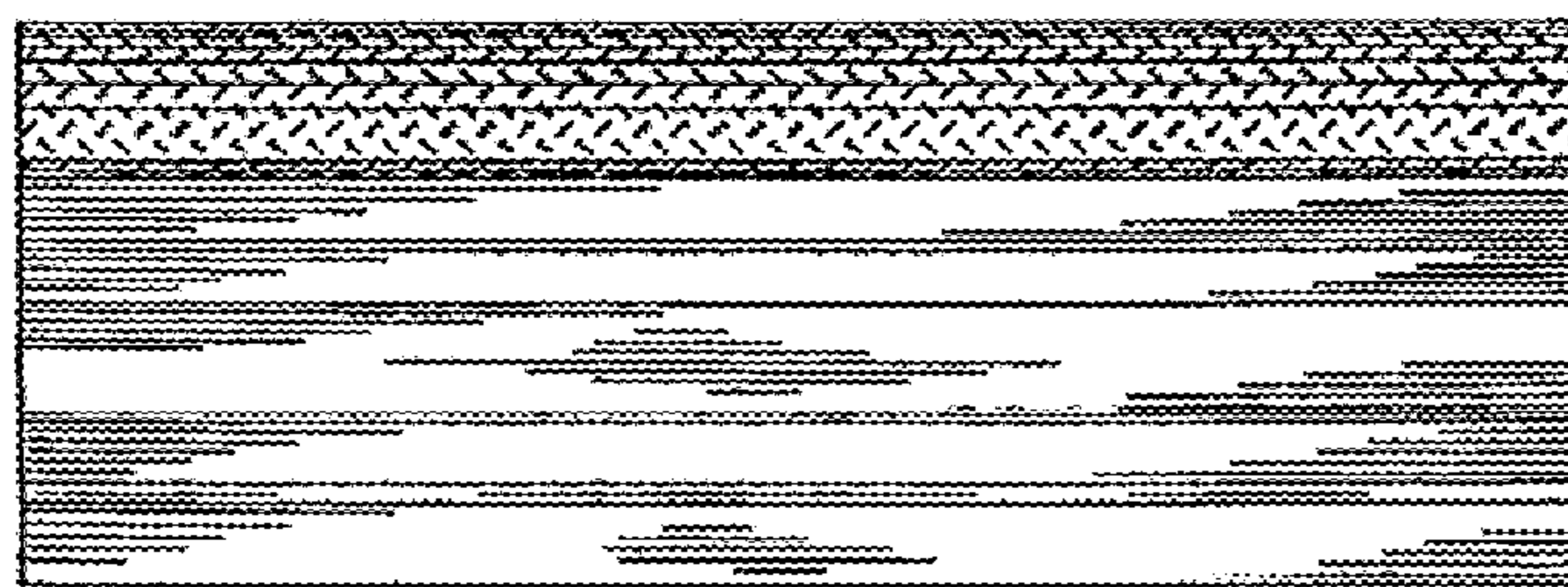




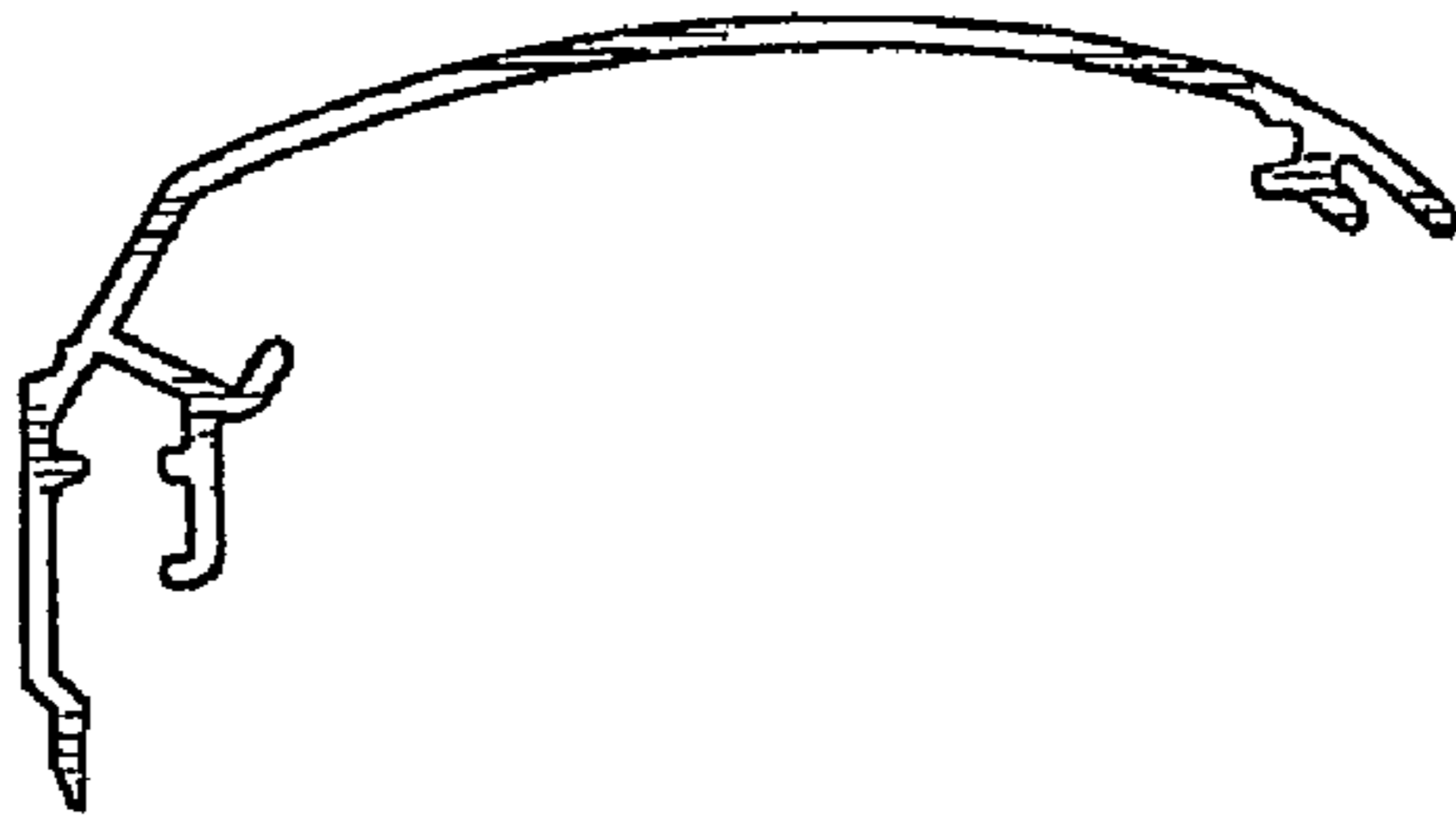
**Fig. 11**



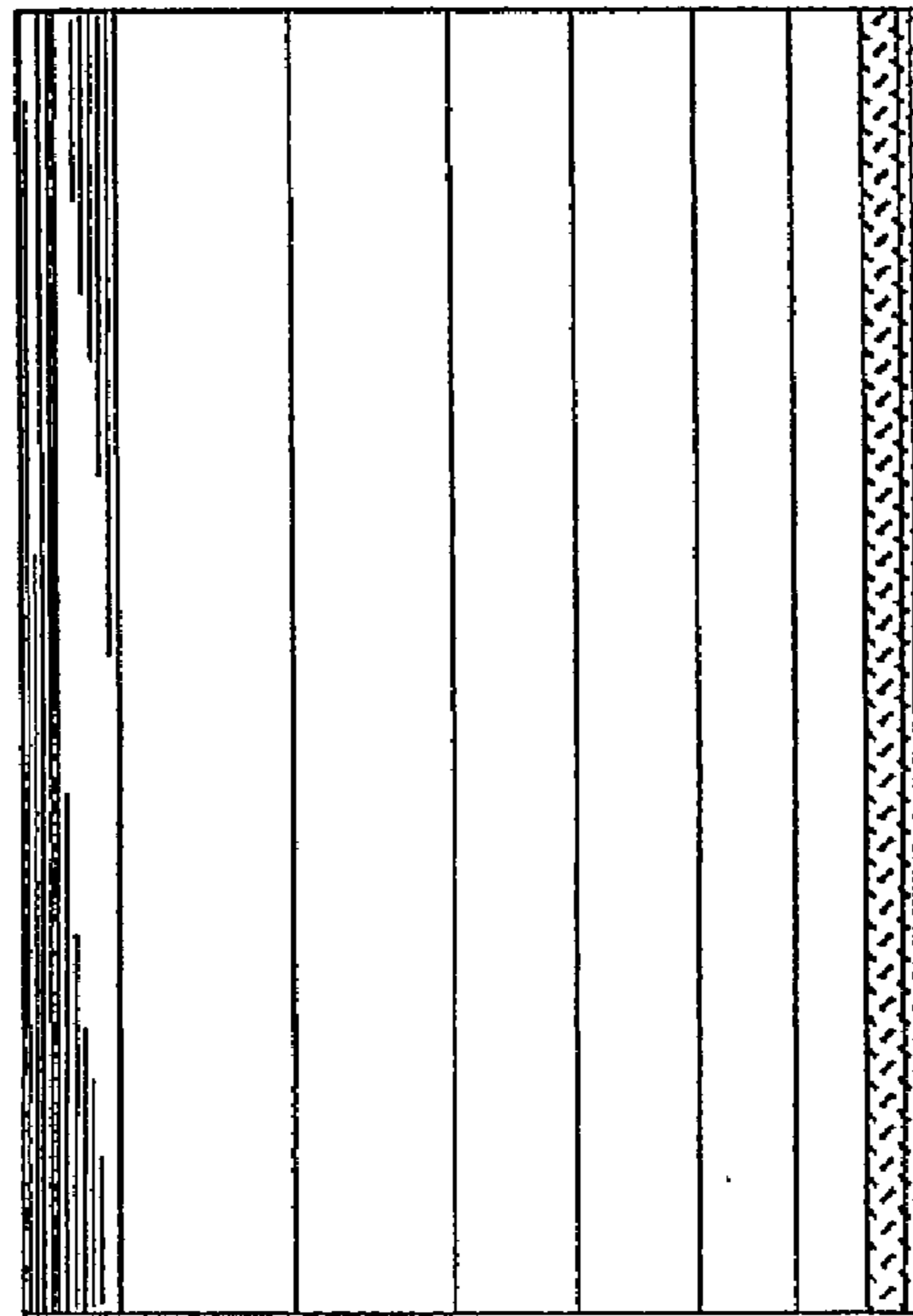
**Fig. 12**



**Fig. 13**



**Fig. 16**



**Fig. 15**



**Fig. 14**