



US00D530966S

(12) **United States Design Patent**  
**Counard**

(10) **Patent No.:** **US D530,966 S**  
(45) **Date of Patent:** **\*\* Oct. 31, 2006**

(54) **WINDOW SHADE**  
(75) Inventor: **Kerry J. Counard**, De Pere, WI (US)  
(73) Assignee: **Sports Fields Shades, LLC**, De Pere, WI (US)  
(\*\*) Term: **14 Years**

D321,910 S 11/1991 Brady  
D322,527 S 12/1991 Barfield  
D373,148 S 8/1996 Crow et al.  
D384,111 S 9/1997 Dougan  
5,664,780 A 9/1997 Bricker  
D386,799 S \* 11/1997 Harriman ..... D21/359  
D488,335 S 4/2004 Kerr

\* cited by examiner

(21) Appl. No.: **29/253,506**  
(22) Filed: **Feb. 8, 2006**

*Primary Examiner*—Holly Baynham  
(74) *Attorney, Agent, or Firm*—Ryan Kromholz & Manion, S.C.

**Related U.S. Application Data**

(62) Division of application No. 29/210,267, filed on Jul. 29, 2004.  
(51) **LOC (8) Cl.** ..... **06-10**  
(52) **U.S. Cl.** ..... **D6/576**  
(58) **Field of Classification Search** ..... D6/576;  
D21/359, 339; D5/20; 160/84.01, 84.04,  
160/84.05, 238  
See application file for complete search history.

(57) **CLAIM**

The ornamental design for a window shade, as shown and described.

**DESCRIPTION**

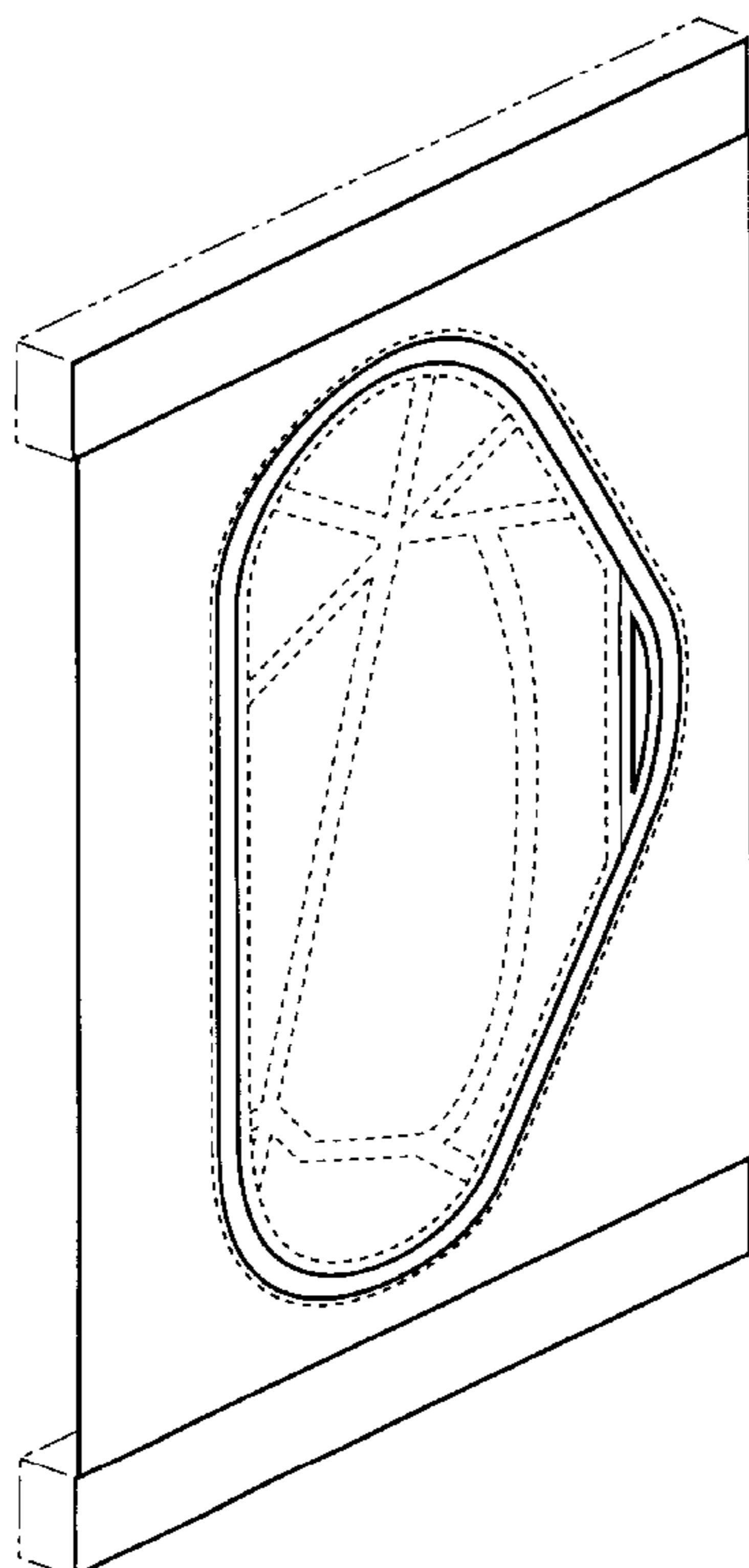
FIG. 1 is a front view of a window shade according to the present invention in a closed position.  
FIG. 2 is a perspective view of a window shade according to the present invention in a closed position.  
FIG. 3 is a side view of a window shade according to the present invention in an open position.  
FIG. 4 is a bottom view of the window shade of FIG. 2.  
FIG. 5 is a front view of a window shade according to the present invention in an open position; and,  
FIG. 6 is a perspective view of the window shade of FIG. 5.  
The broken lines showing of a back portion of the shade and on the front of the portion of the window shade in FIGS. 1–6 are for illustrative purposes only and form no part of the claimed design.

(56) **References Cited**

**U.S. PATENT DOCUMENTS**

78,937 A \* 6/1868 Clagett ..... 248/146  
D27,733 S \* 10/1897 Leonard ..... D21/339  
D59,820 S 11/1921 Cotter  
D89,205 S 2/1933 Nunn  
D184,015 S \* 12/1958 Knowles ..... D21/359  
3,205,118 A 9/1965 Guffan  
D211,798 S \* 7/1968 Dillingham ..... D21/359  
3,580,573 A 5/1971 Noonan et al.

**1 Claim, 2 Drawing Sheets**



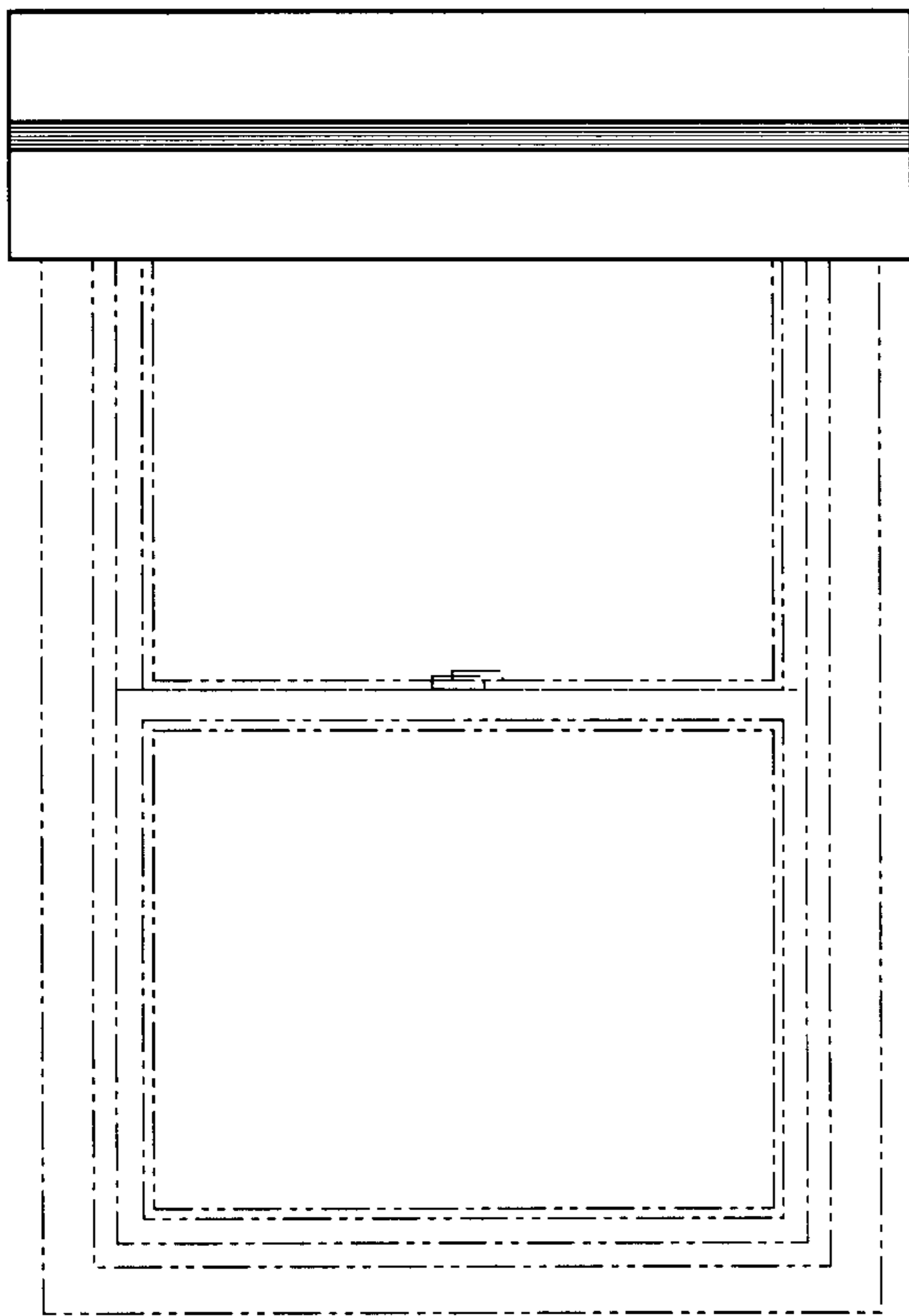


Fig. 1

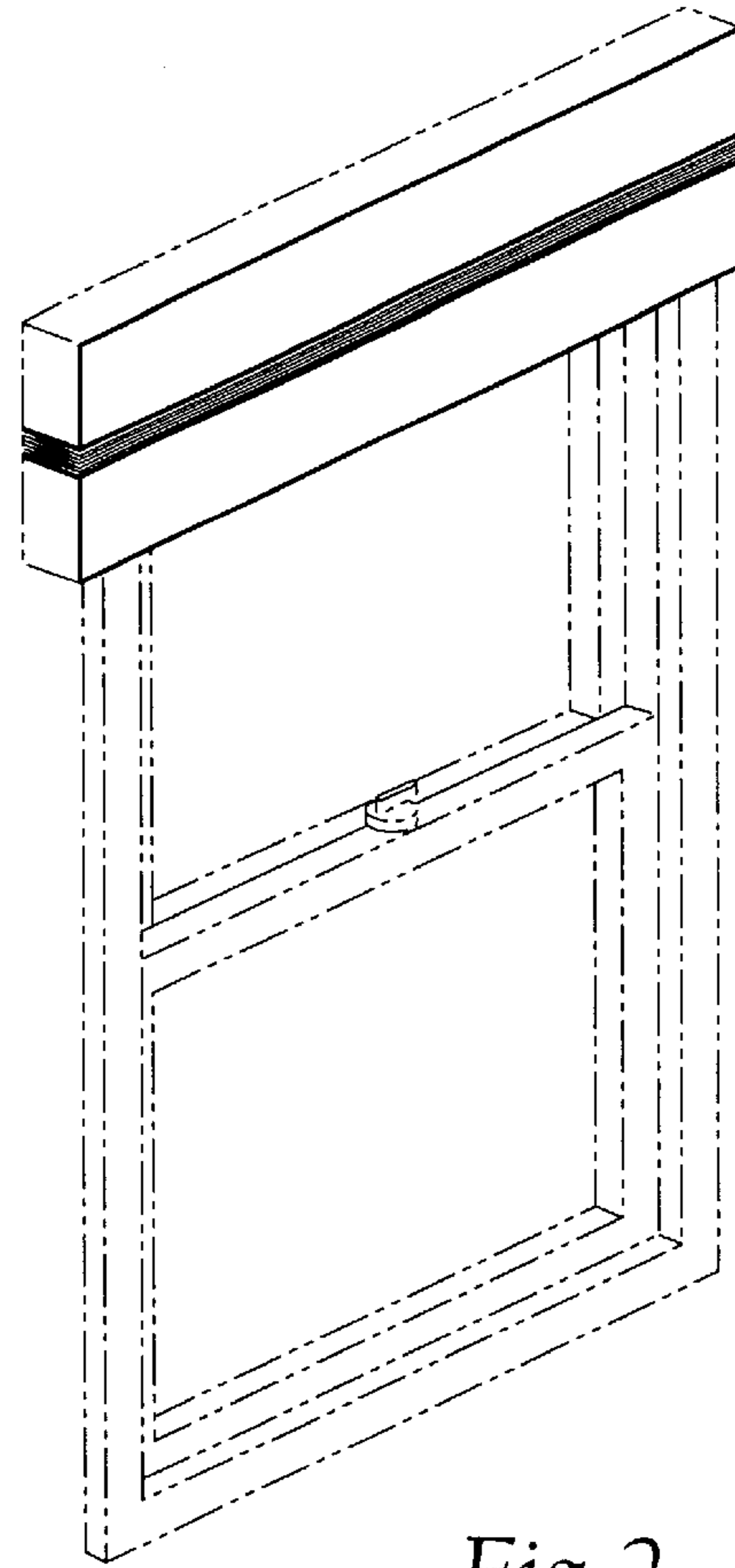


Fig. 2



Fig. 3

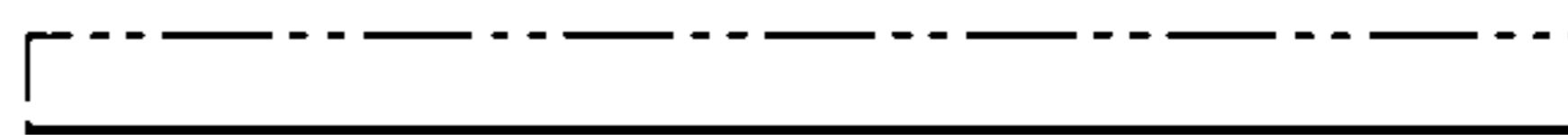


Fig. 4

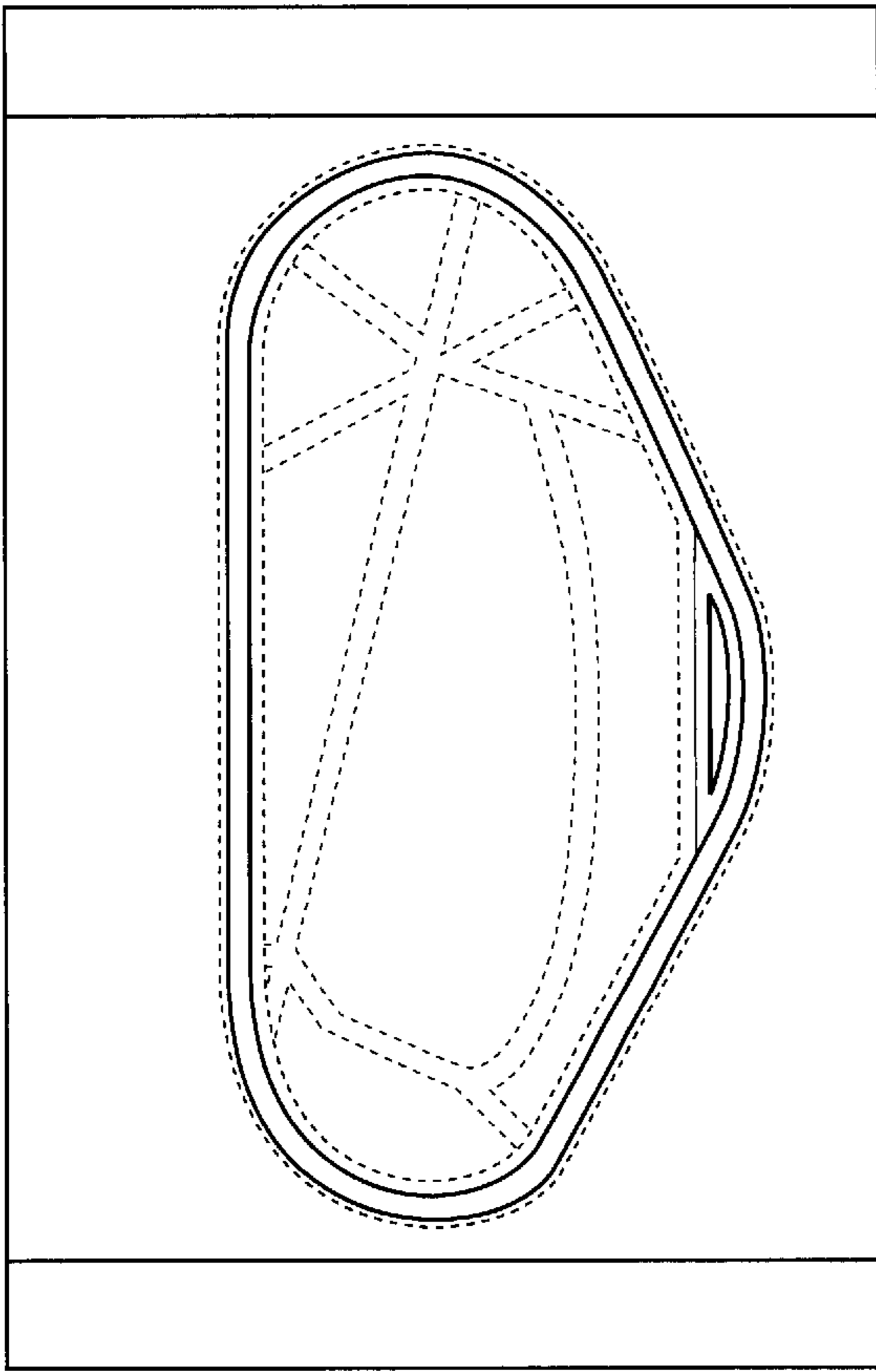


Fig. 5

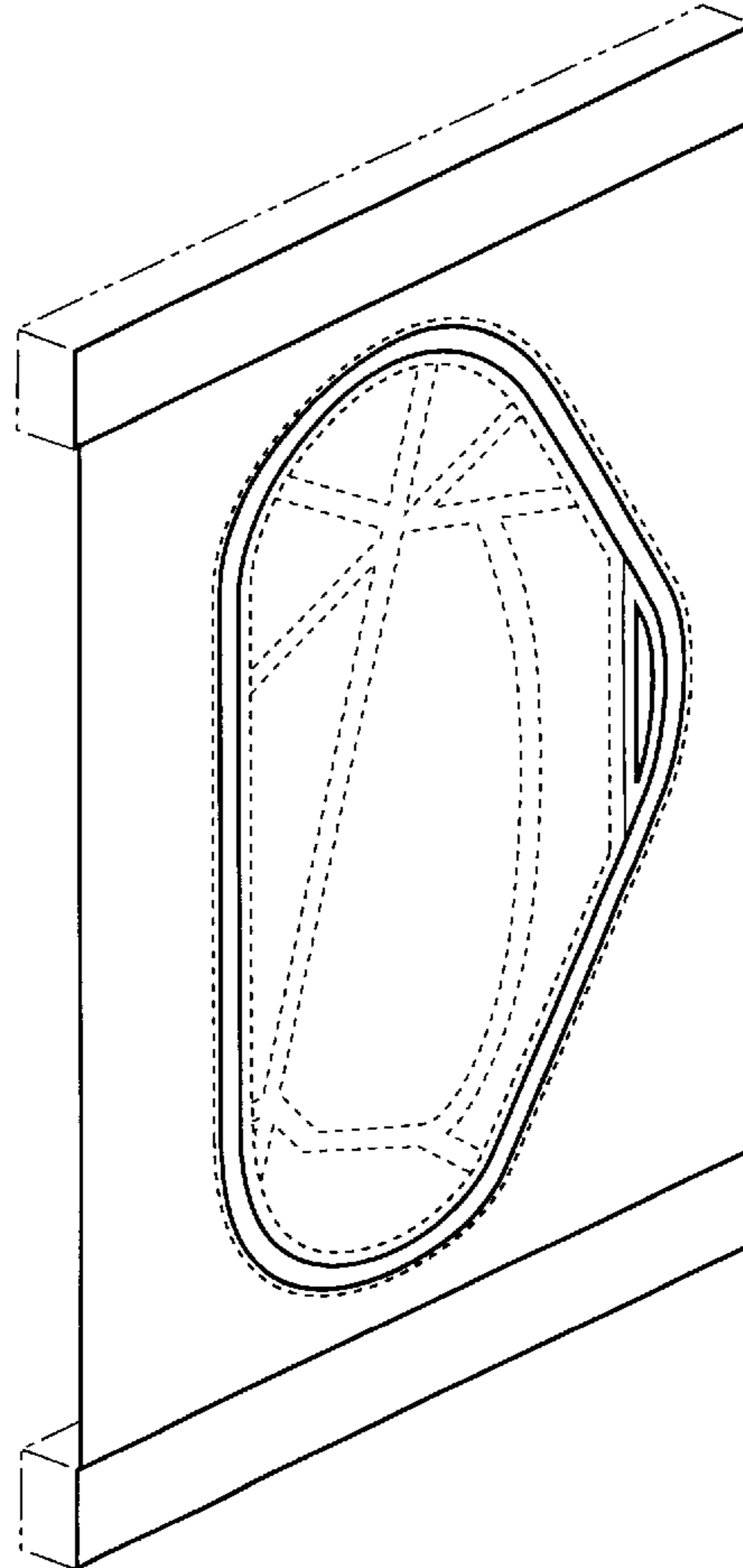


Fig. 6

UNITED STATES PATENT AND TRADEMARK OFFICE  
**CERTIFICATE OF CORRECTION**

PATENT NO. : Des. 530,966 S  
APPLICATION NO. : 29/253506  
DATED : October 31, 2006  
INVENTOR(S) : Kerry J. Counard

Page 1 of 1

It is certified that error appears in the above-identified patent and that said Letters Patent is hereby corrected as shown below:

On the Title Page, under (54) and Column 1, "Title", after "Window Shade" insert -- or Covering --

Signed and Sealed this

Twenty-seventh Day of March, 2007

A handwritten signature in black ink on a light gray dotted background. The signature reads "Jon W. Dudas" in a cursive style.

JON W. DUDAS

*Director of the United States Patent and Trademark Office*