



US00D530965S

(12) **United States Design Patent**
Roberts

(10) **Patent No.:** **US D530,965 S**

(45) **Date of Patent:** **** Oct. 31, 2006**

(54) **WOVEN WOOD SHADE WITH PLEATED LINER**

(75) Inventor: **Gary N. Roberts**, Sarasota, FL (US)

(73) Assignee: **Vista Products, Inc.**, Sarasota, FL (US)

(**) Term: **14 Years**

(21) Appl. No.: **29/235,367**

(22) Filed: **Aug. 1, 2005**

(51) **LOC (8) Cl.** **06-10**

(52) **U.S. Cl.** **D6/575**

(58) **Field of Classification Search** D6/575-580;
160/84.01, 84.04, 107, 111, 113, 130, 179,
160/180, 199, 230, 231.1, 237, 348
See application file for complete search history.

(56) **References Cited**

U.S. PATENT DOCUMENTS

D260,838 S	*	9/1981	Kato	D6/575
4,799,524 A		1/1989	Guernonprez		
4,813,468 A		3/1989	Fraser		
RE34,273 E		6/1993	Phillips et al.		
D348,371 S	*	7/1994	Judkins	D6/577
5,649,583 A	*	7/1997	Hsu	160/84.05
5,845,690 A	*	12/1998	Colson et al.	160/84.01
6,688,369 B1		2/2004	Colson et al.		
6,712,115 B1		3/2004	Judkins		
D496,204 S	*	9/2004	Tuzmen	D6/577
D498,105 S	*	11/2004	Tyner	D6/575

2004/0154754 A1 8/2004 Judkins

* cited by examiner

Primary Examiner—Holly Baynham

Assistant Examiner—Cynthia M. Chin

(74) *Attorney, Agent, or Firm*—Buchanan Ingersoll & Rooney PC

(57) **CLAIM**

The ornamental design for a woven wood shade with pleated liner, as shown and described.

DESCRIPTION

FIG. 1 is a perspective views of my woven wood shade with pleated liner in a fully closed position.

FIG. 2 is a front view thereof.

FIG. 3 is a rear view thereof.

FIG. 4 is a right side view thereof, the left side view being a mirror image of the right side view.

FIG. 5 is a top view thereof.

FIG. 6 is a bottom view thereof.

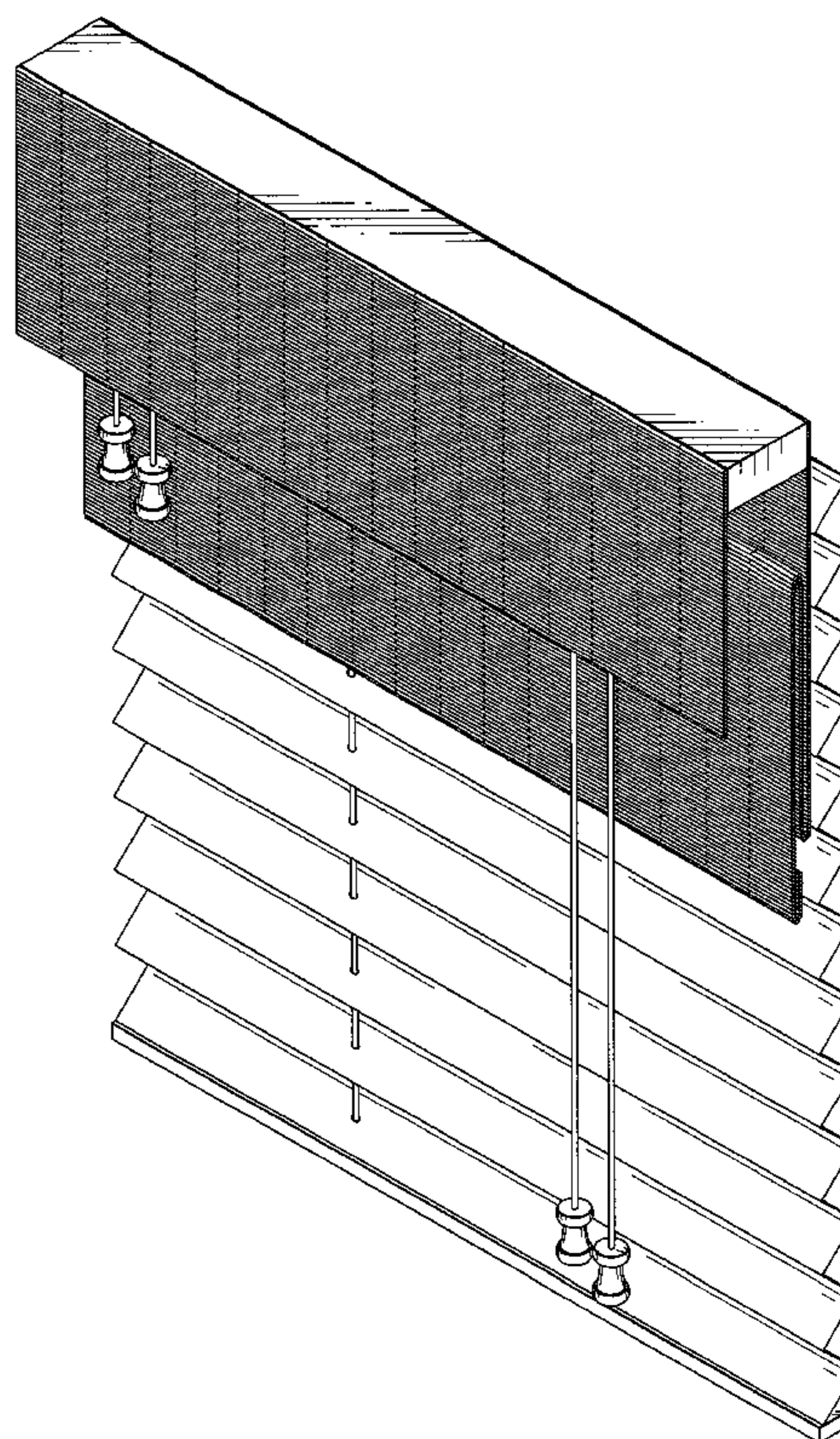
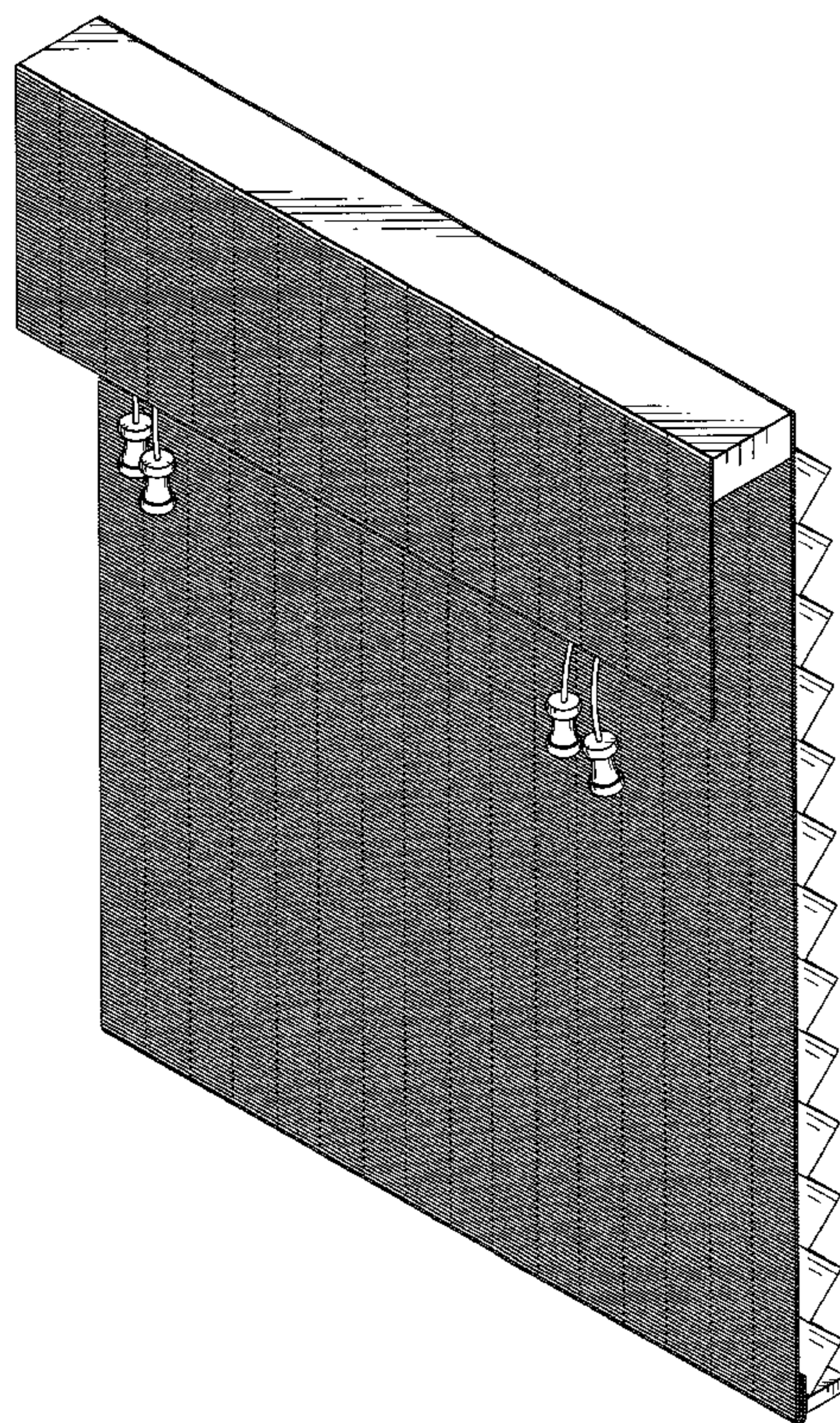
FIG. 7 is a perspective view similar to FIG. 1 in which the pleated liner is in a fully raised position.

FIG. 8 is a perspective view similar to FIG. 1 in which the woven wood shade is in a raised position; and,

FIG. 9 is a perspective view similar to FIG. 1 in which both the woven wood shade and the pleated liner are in raised positions.

FIGS. 5 and 6 have been shown broken away for ease and clarity of illustration.

1 Claim, 7 Drawing Sheets



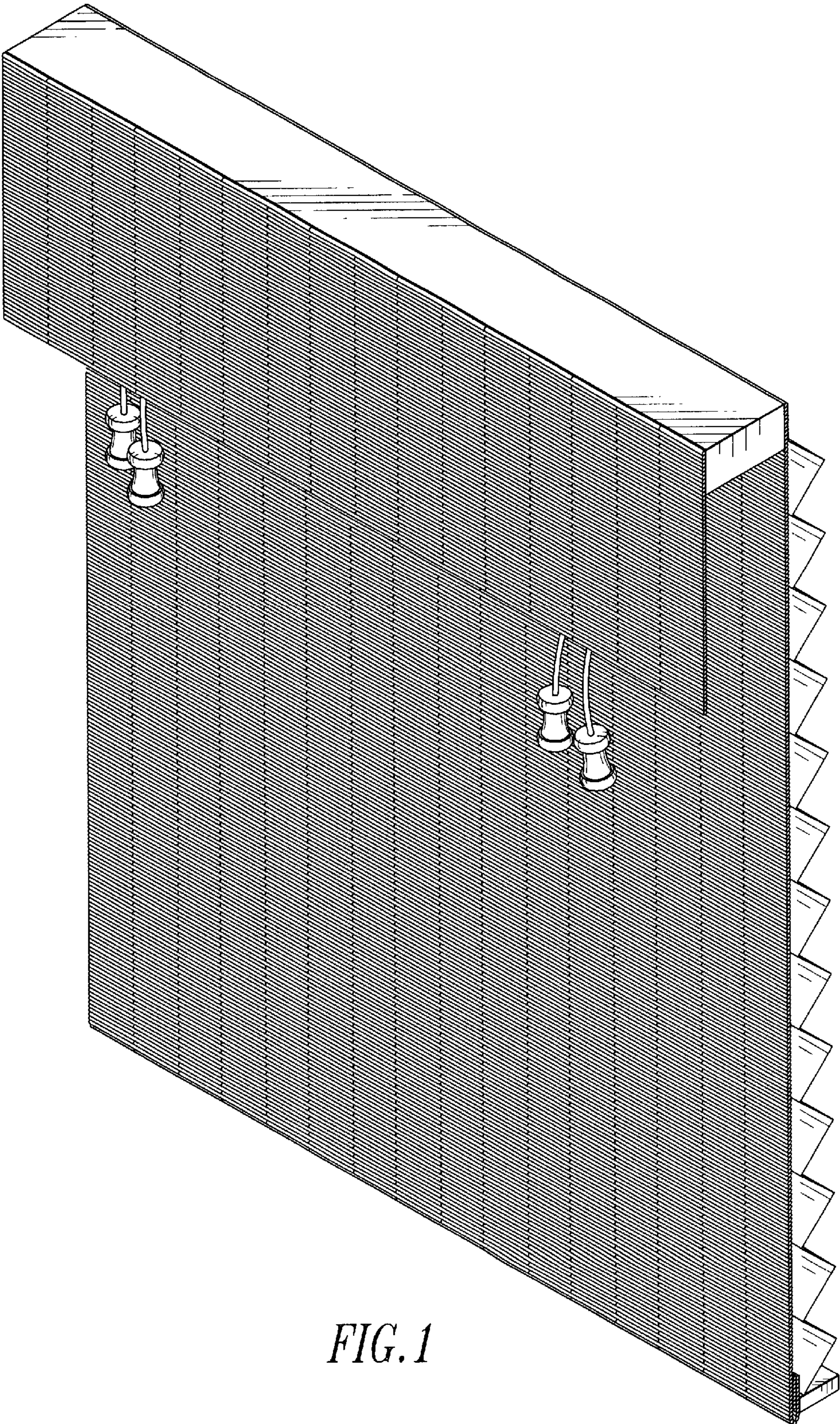


FIG. 1

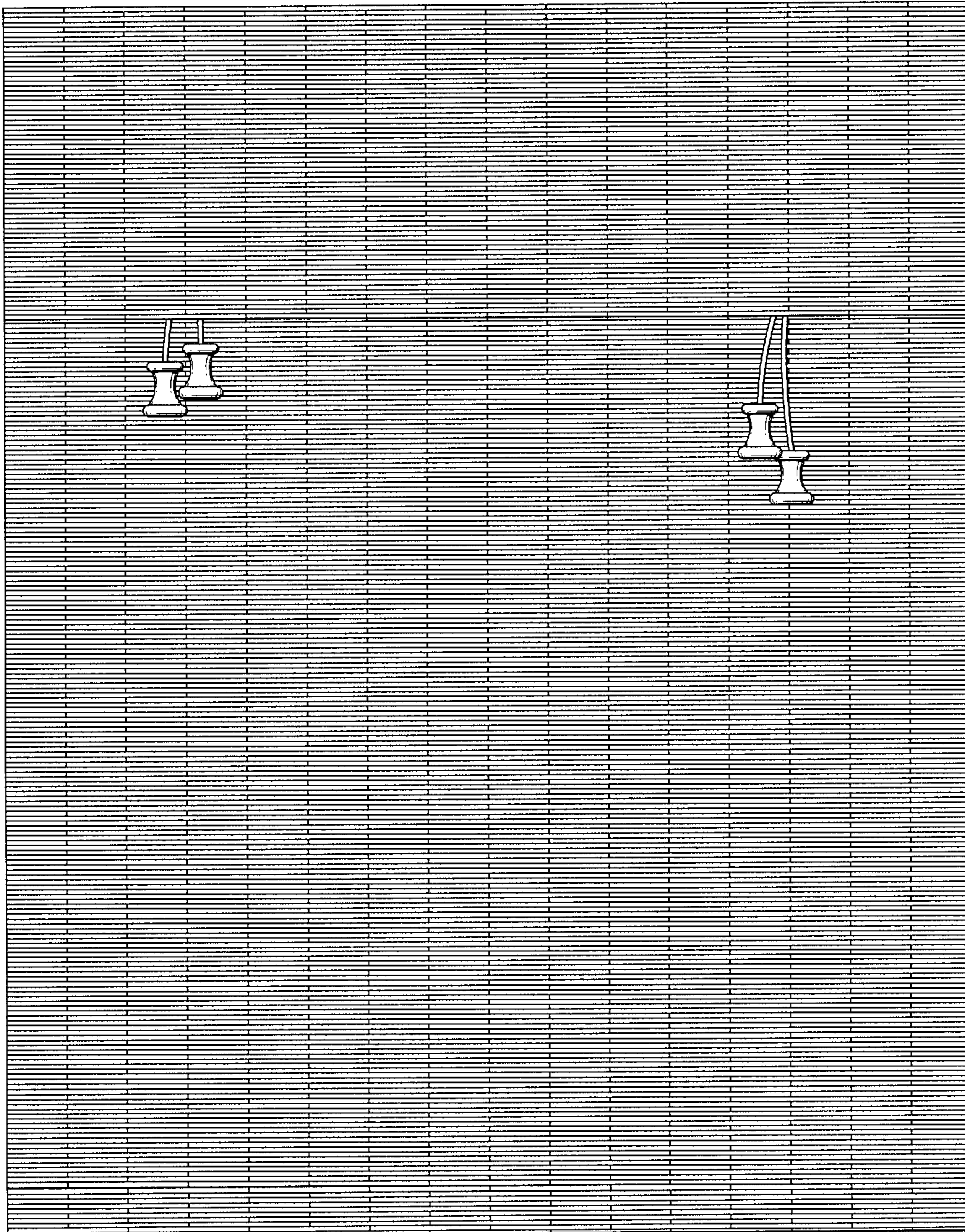


FIG. 2

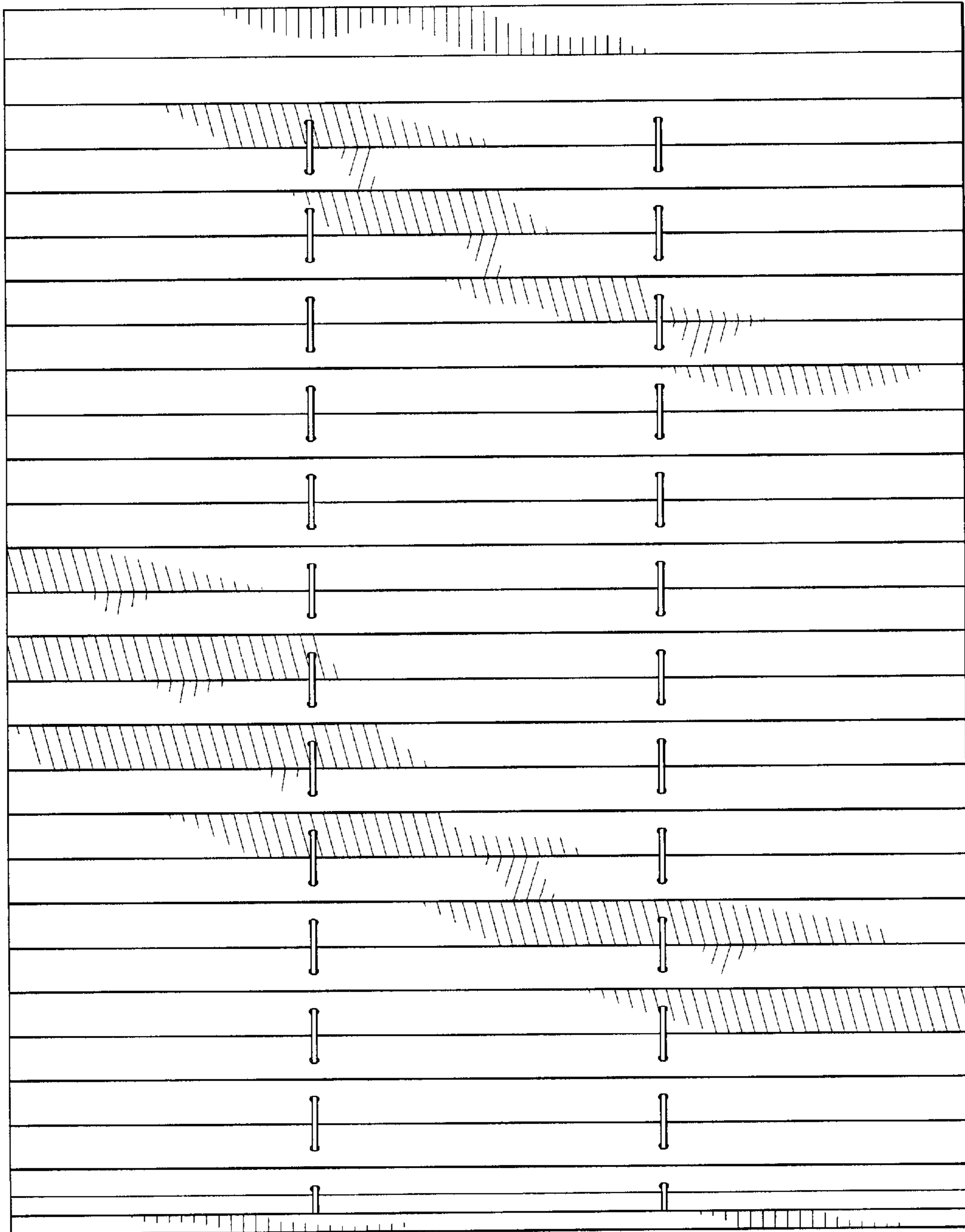


FIG. 3

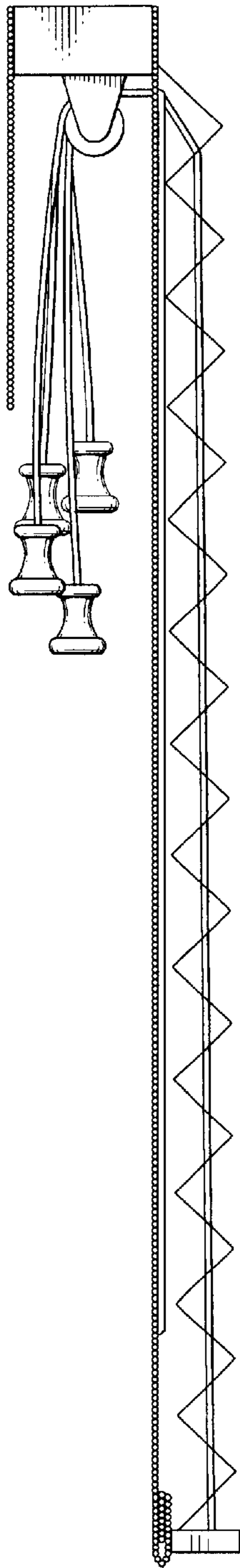


FIG. 4

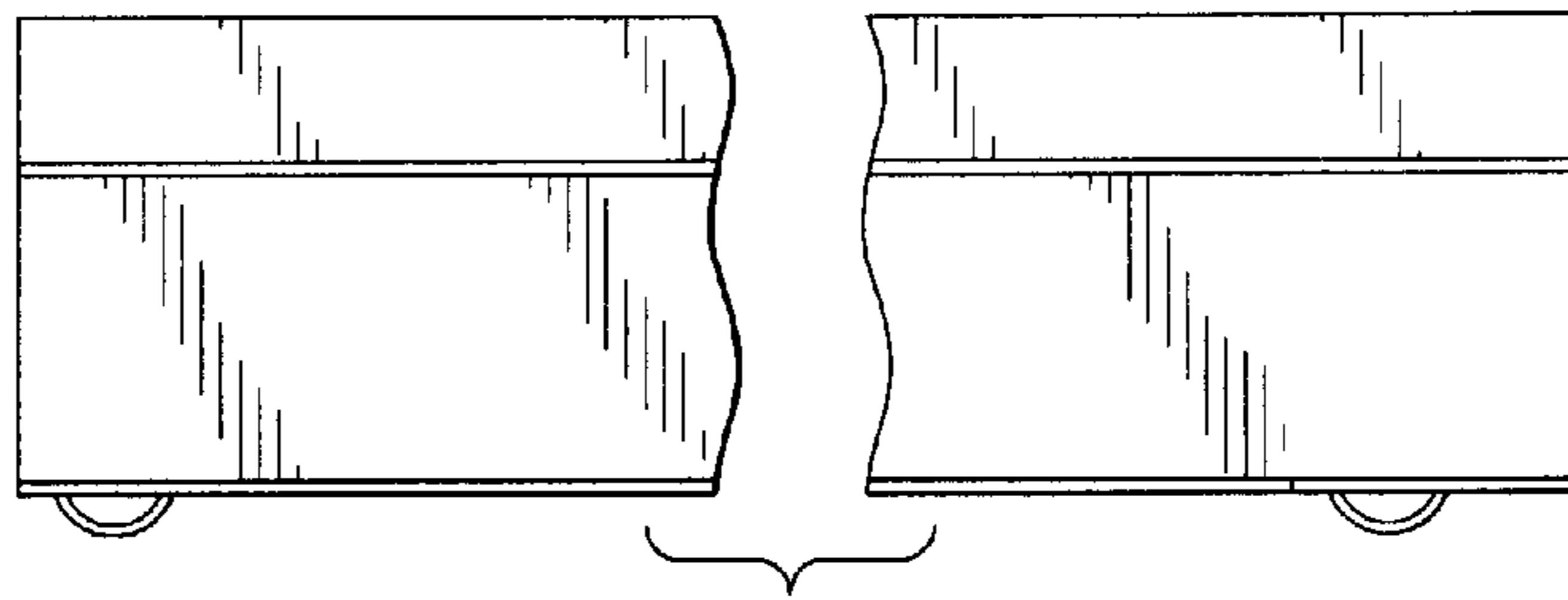


FIG. 5

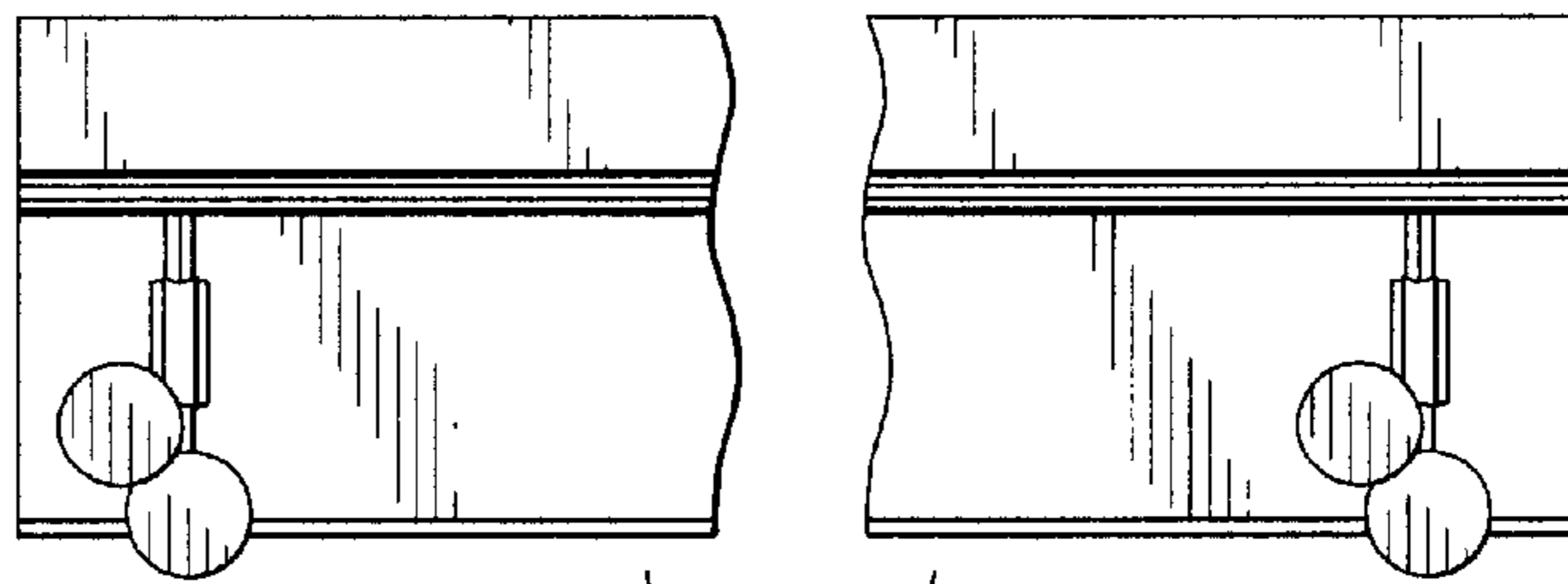


FIG. 6

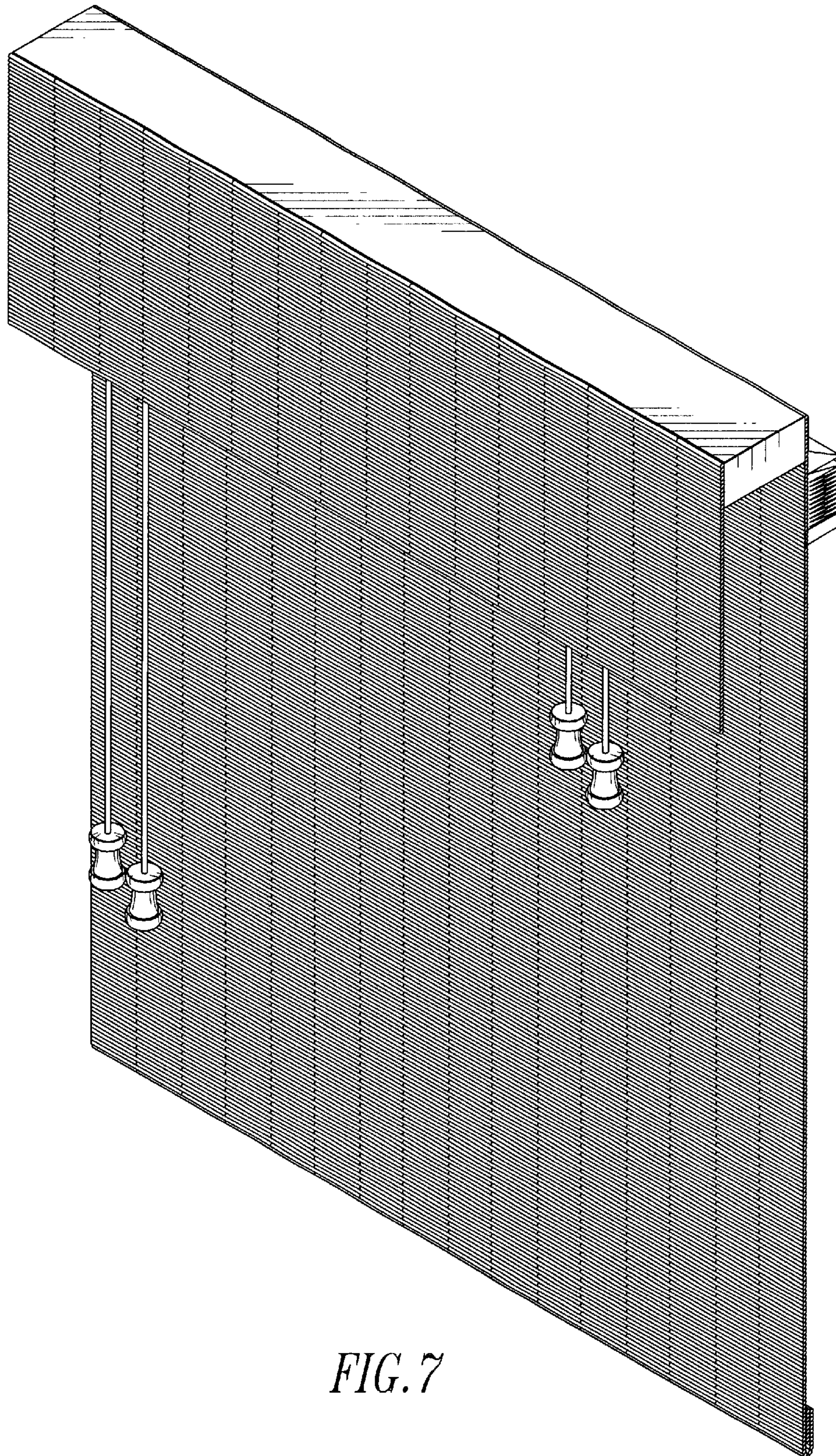


FIG. 7

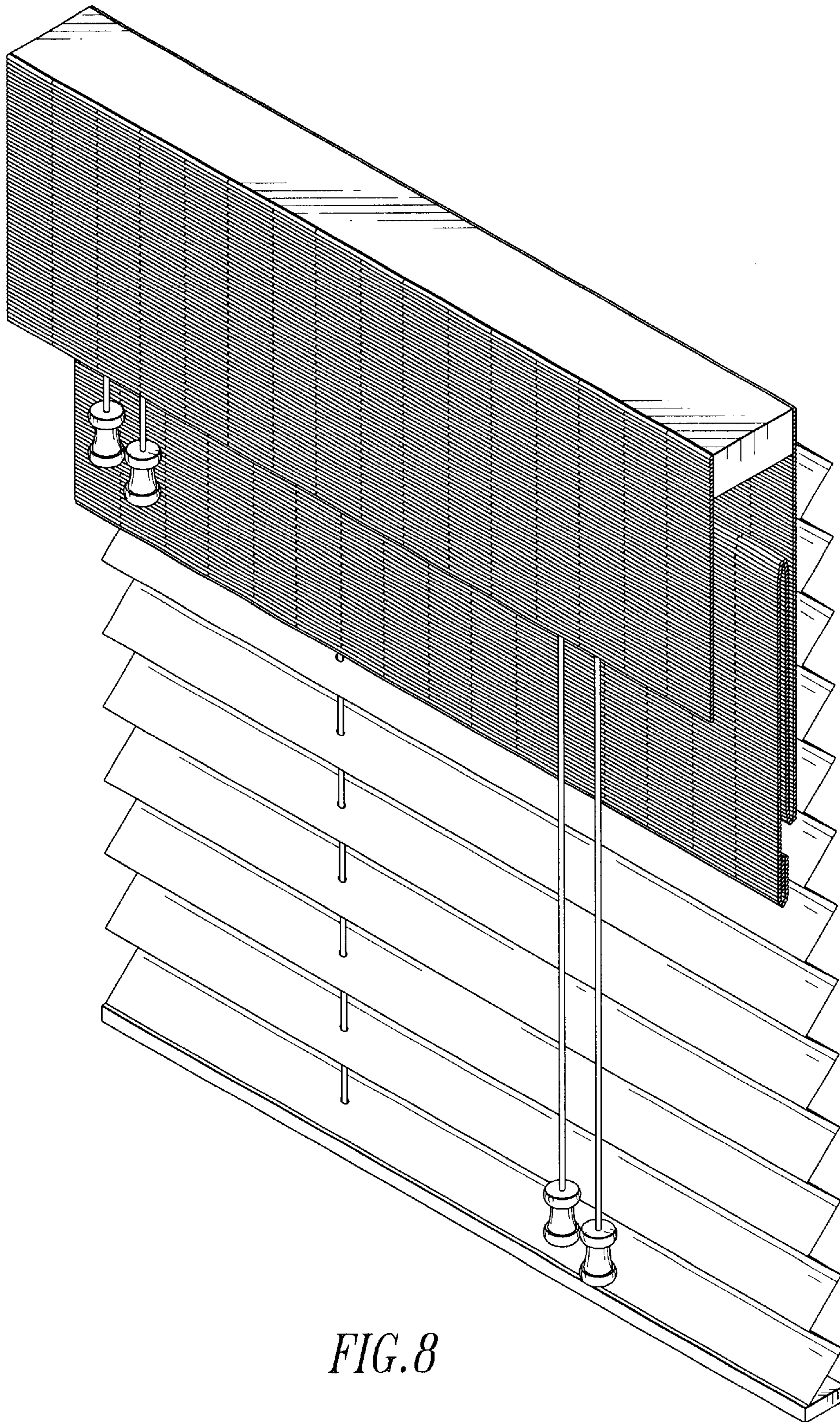


FIG. 8

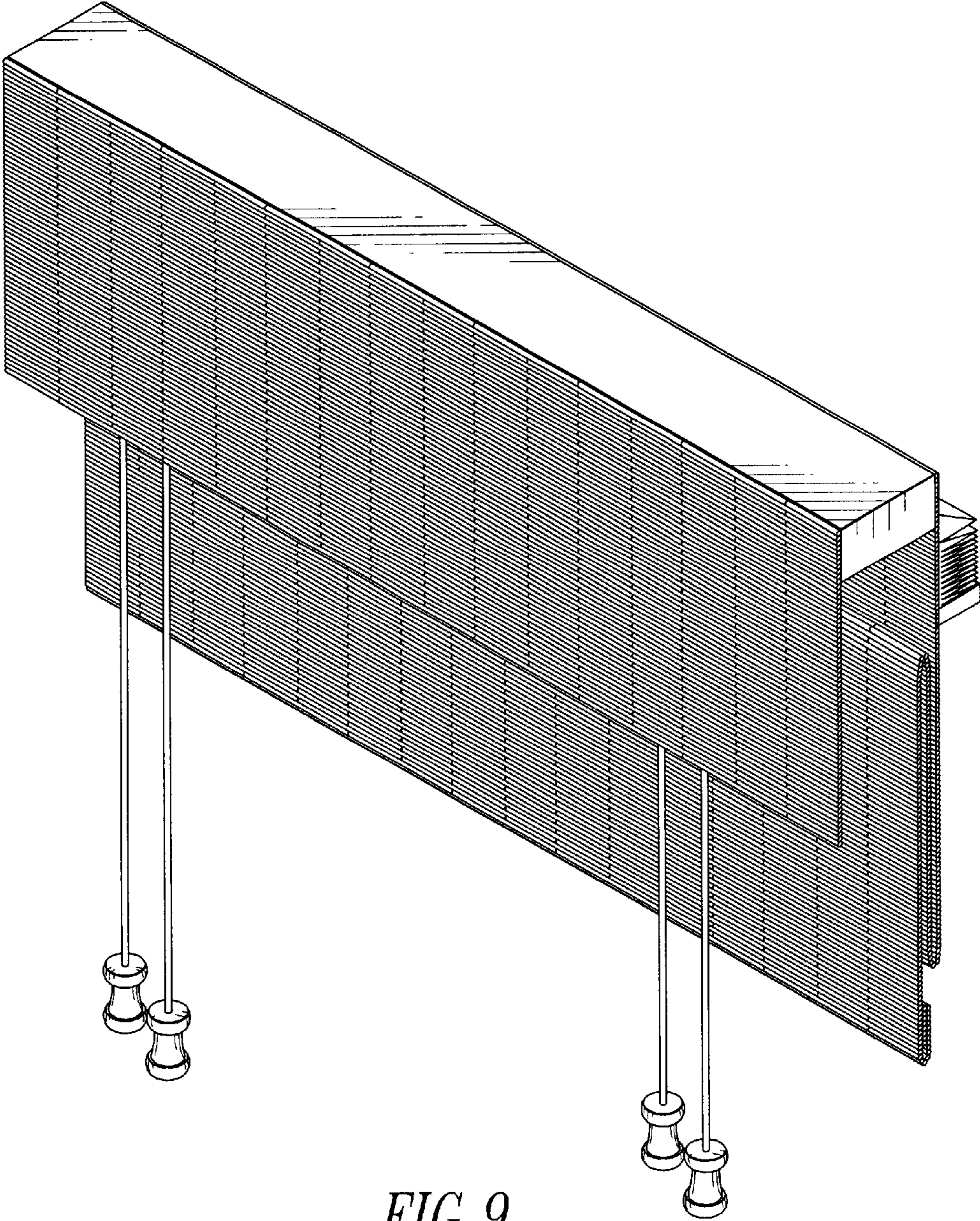


FIG. 9