



US00D530964S

(12) **United States Design Patent**
Smith et al.

(10) **Patent No.:** **US D530,964 S**
(45) **Date of Patent:** **** Oct. 31, 2006**

(54) **ROLLABLE PANEL**

(75) Inventors: **Park B. Smith**, New York, NY (US);
Linda Johnson, New York, NY (US)

(73) Assignee: **Park B. Smith, Ltd.**, New York, NY
(US)

(**) Term: **14 Years**

(21) Appl. No.: **29/235,331**

(22) Filed: **Jul. 29, 2005**

Related U.S. Application Data

(63) Continuation of application No. 29/205,669, filed on May 18, 2004, now Pat. No. Des. 509,090.

(51) **LOC (8) Cl.** **06-11**

(52) **U.S. Cl.** **D6/575**

(58) **Field of Classification Search** D6/575,
D6/577; 160/84.01, 84.04, 237-238, 387,
160/348

See application file for complete search history.

(56) **References Cited**

U.S. PATENT DOCUMENTS

| | | | | | | |
|-----------|---|---|---------|---------------|-------|-----------|
| 1,997,484 | A | * | 4/1935 | Collins | | 160/387 |
| 2,173,791 | A | * | 9/1939 | Sarran | | 160/238 |
| 2,321,078 | A | * | 6/1943 | Greene | | 160/238 |
| 3,380,580 | A | * | 4/1968 | Warp | | 242/160.1 |
| 4,876,809 | A | * | 10/1989 | Johnson | | 40/309 |
| 4,907,636 | A | * | 3/1990 | Simon | | 160/238 |
| 5,443,563 | A | * | 8/1995 | Hindel et al. | | 160/238 |
| D382,754 | S | * | 8/1997 | Siegel et al. | | D6/575 |

5,676,610 A * 10/1997 Bhatt et al. 473/566

* cited by examiner

Primary Examiner—Holly Baynham

(74) *Attorney, Agent, or Firm*—Alston & Bird LLP

(57) **CLAIM**

The ornamental design for a rollable panel, as shown and described.

DESCRIPTION

FIG. 1 is a front side perspective view of a rollable panel showing our new design, wherein the window shade is partially drawn.

FIG. 2 is a backside perspective view thereof, wherein the panel is partially drawn.

FIG. 3 is a front side perspective view thereof, wherein the panel is drawn.

FIG. 4 is a backside perspective view thereof, wherein the panel is drawn.

FIG. 5 is a view of the front side thereof, wherein the panel is drawn.

FIG. 6 is a view of the backside thereof, wherein the panel is drawn.

FIG. 7 is a top view thereof, wherein the panel is drawn.

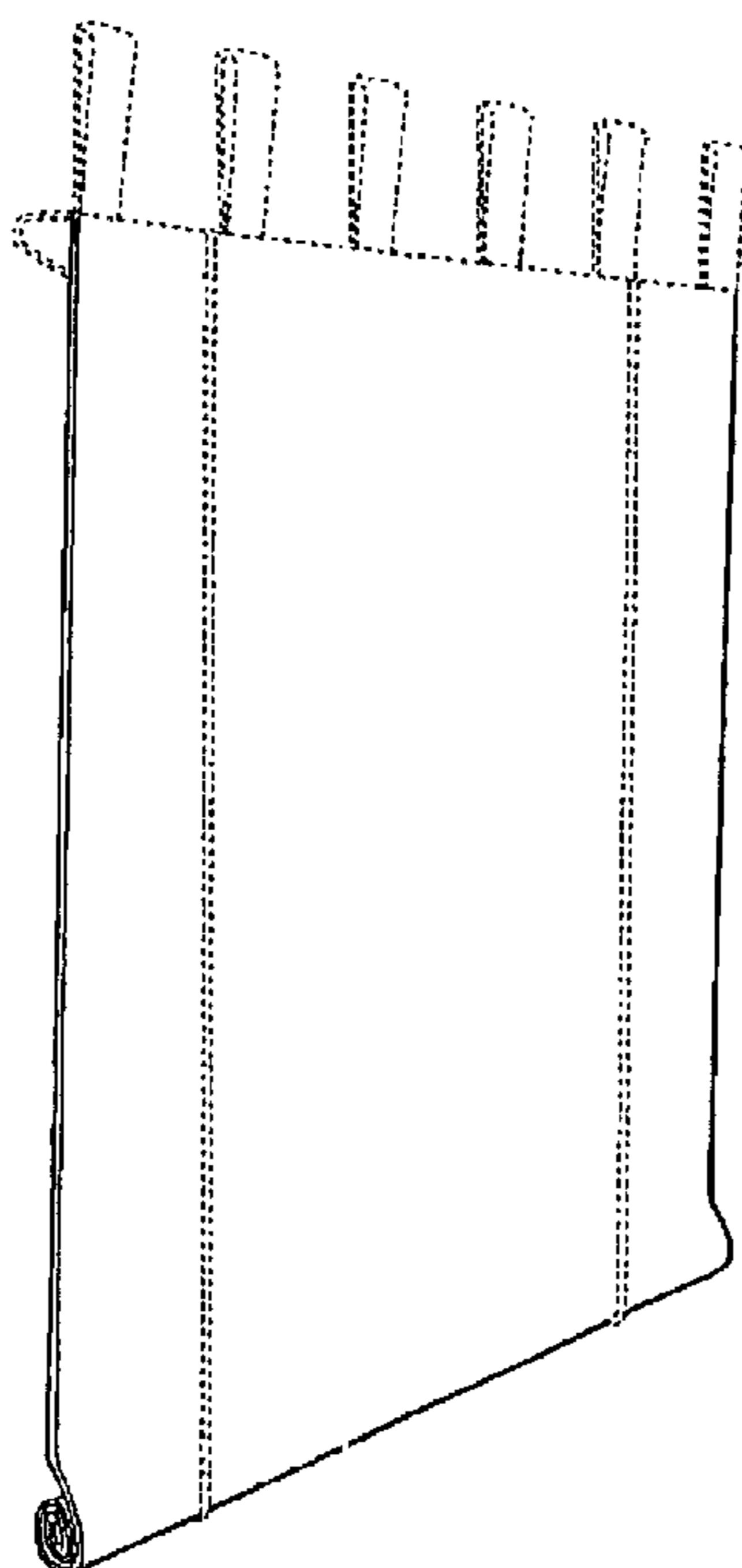
FIG. 8 is a bottom view thereof, wherein the panel is drawn.

FIG. 9 is a front view thereof, wherein the panel is partially drawn; and,

FIG. 10 is a side elevational view thereof, wherein the panel is partially drawn.

The broken lines shown herein are for illustrative purposes only and form no part of the claimed design.

1 Claim, 10 Drawing Sheets



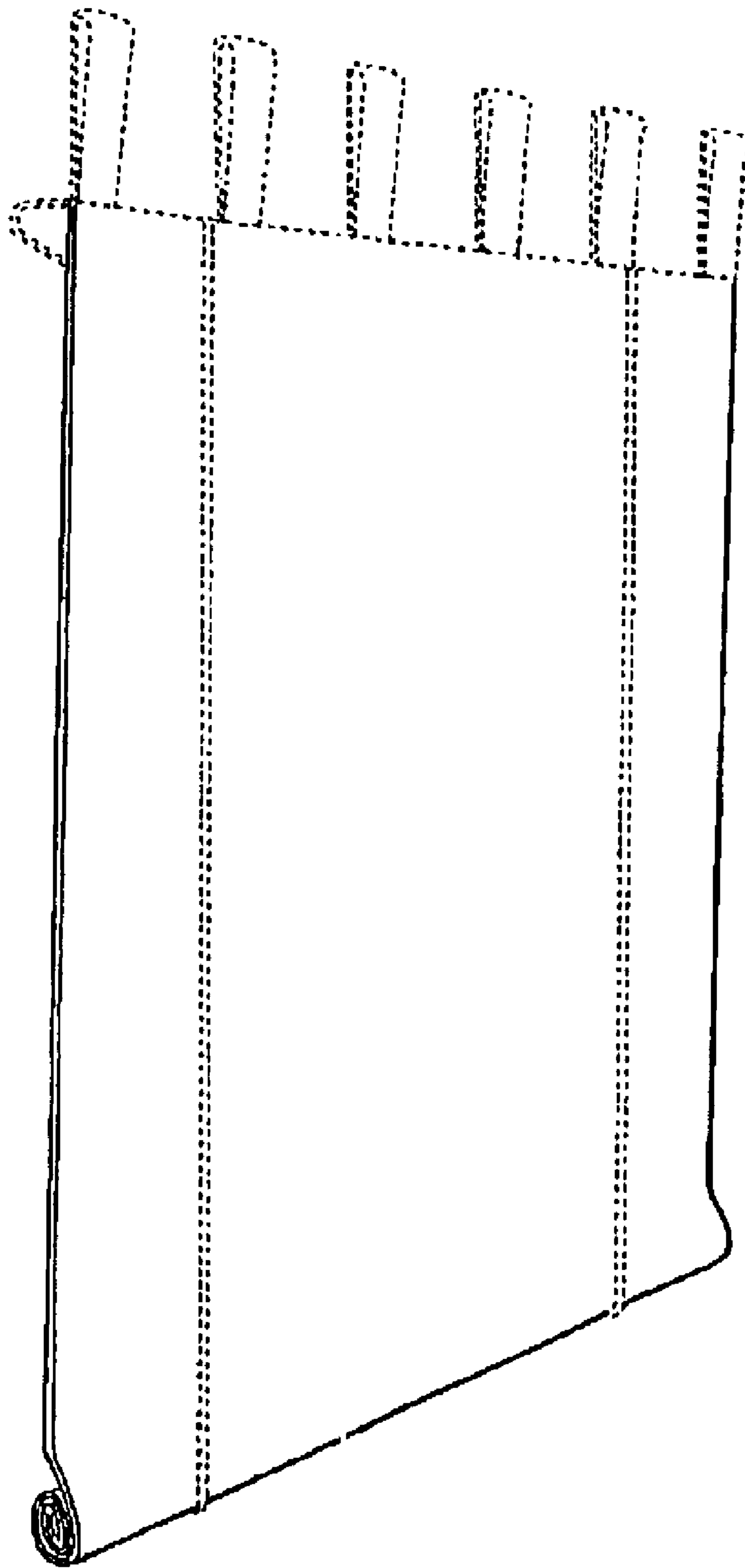


FIG. 1

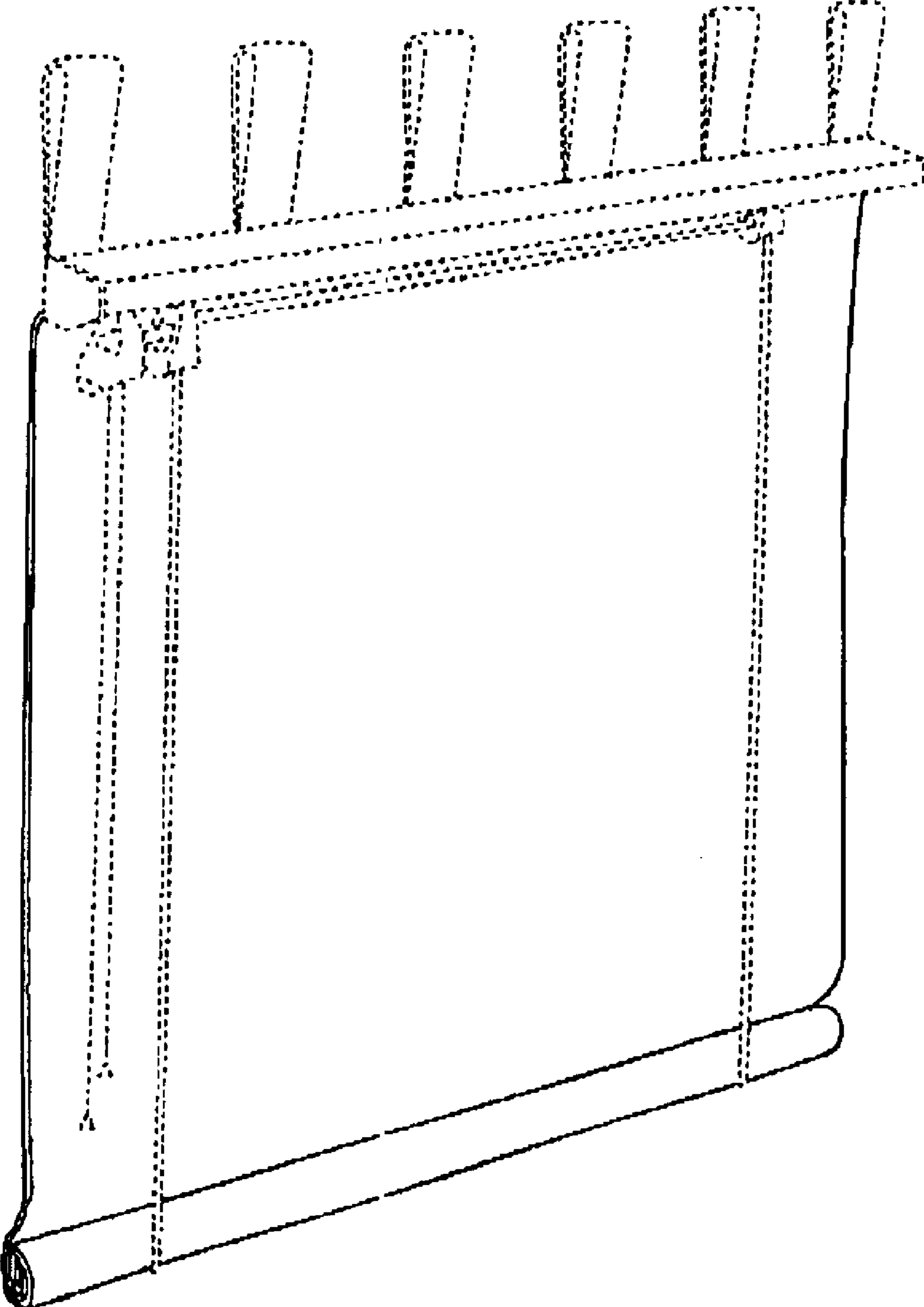


FIG. 2

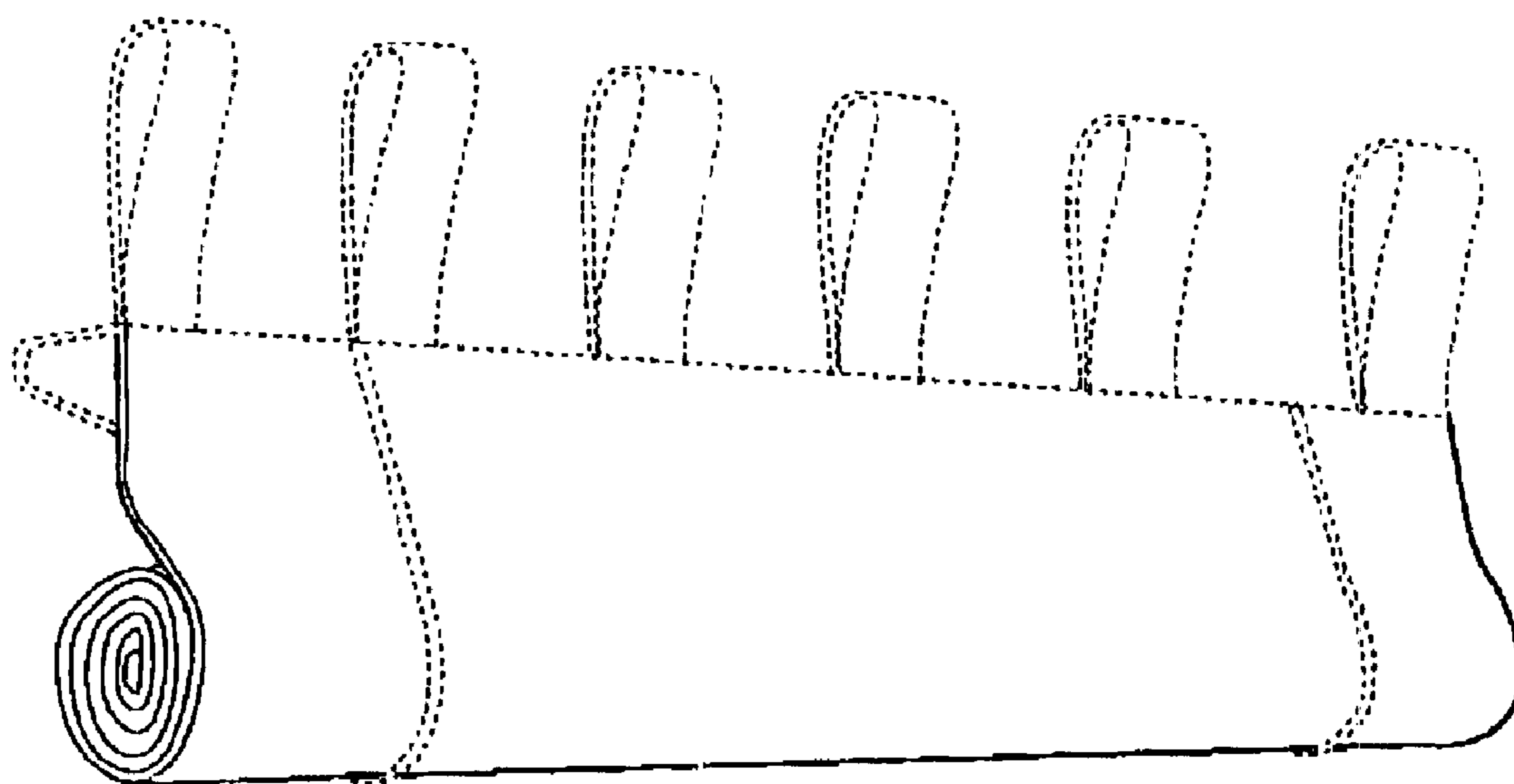


FIG. 3

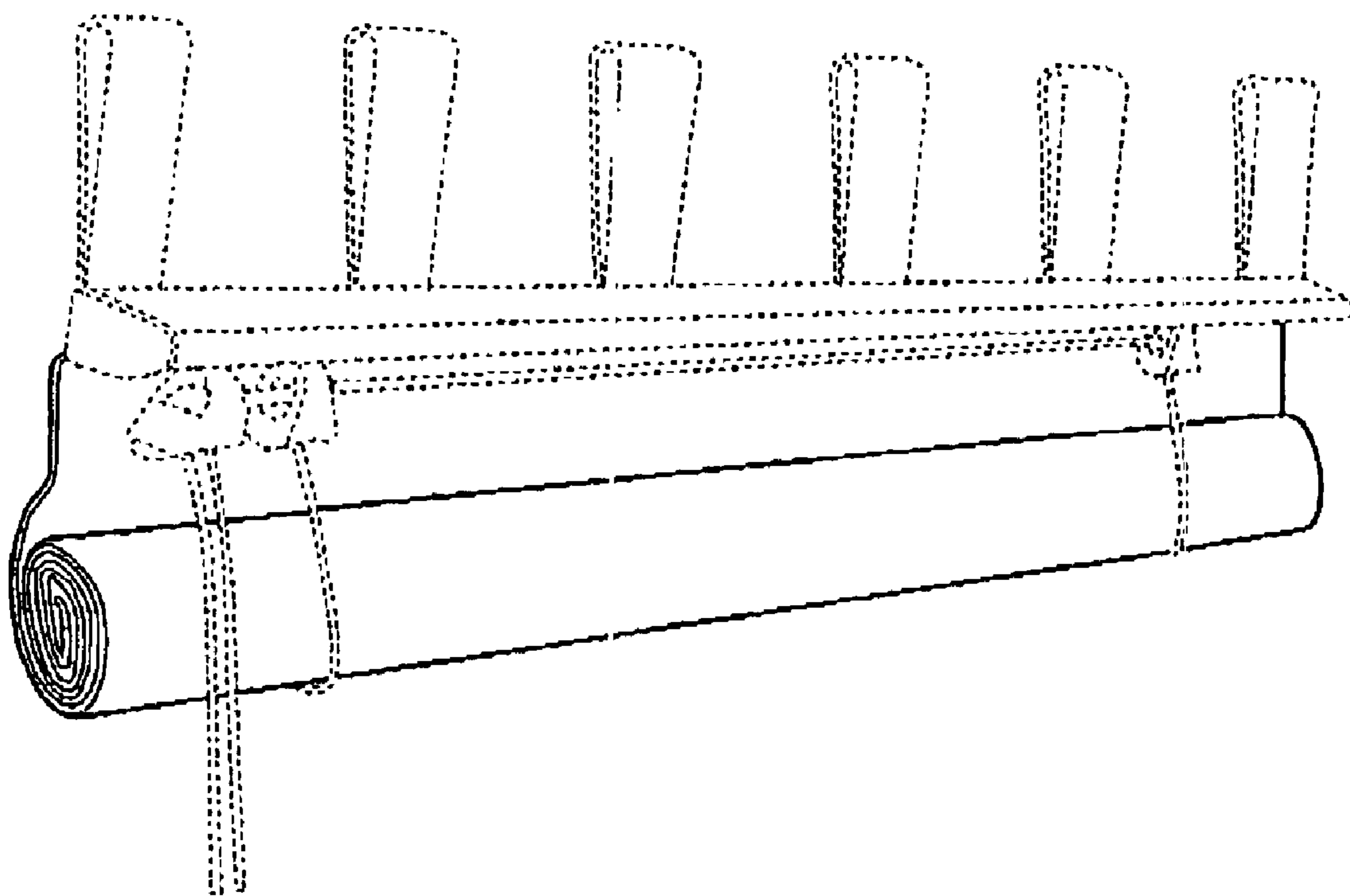


FIG. 4

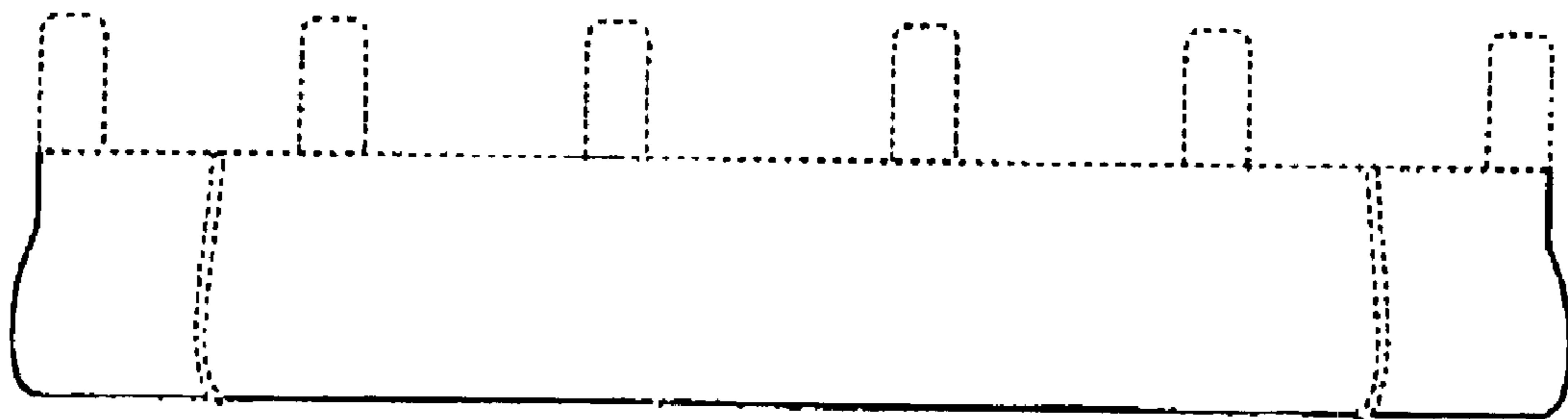


FIG. 5

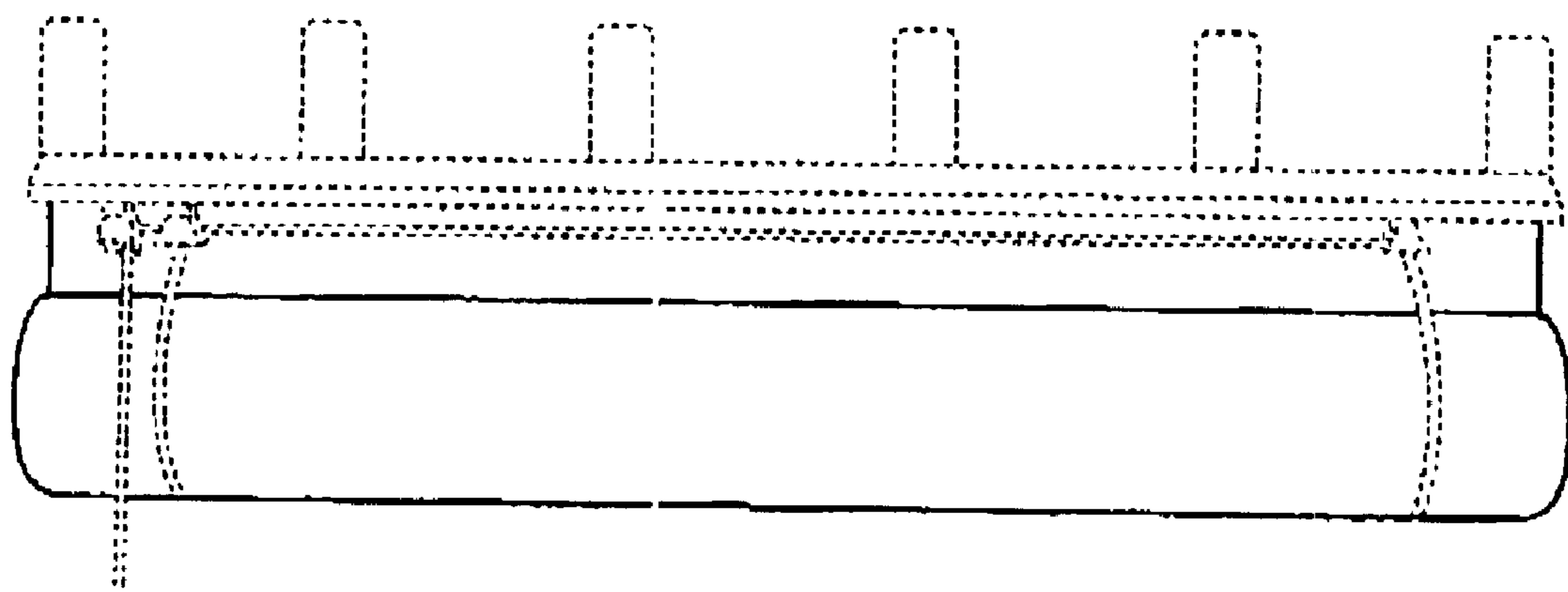


FIG. 6

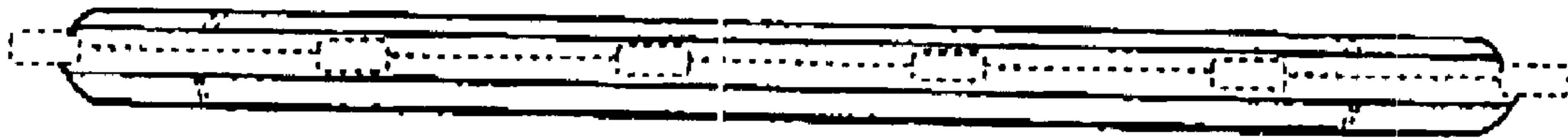


FIG. 7

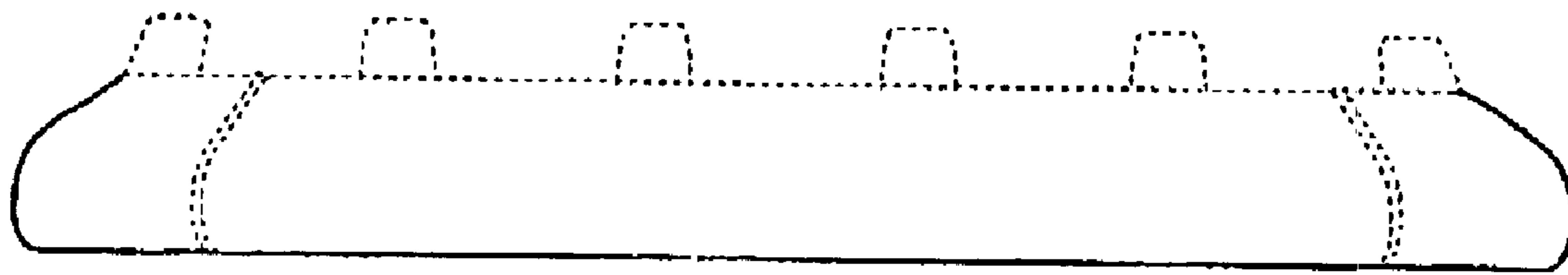


FIG. 8

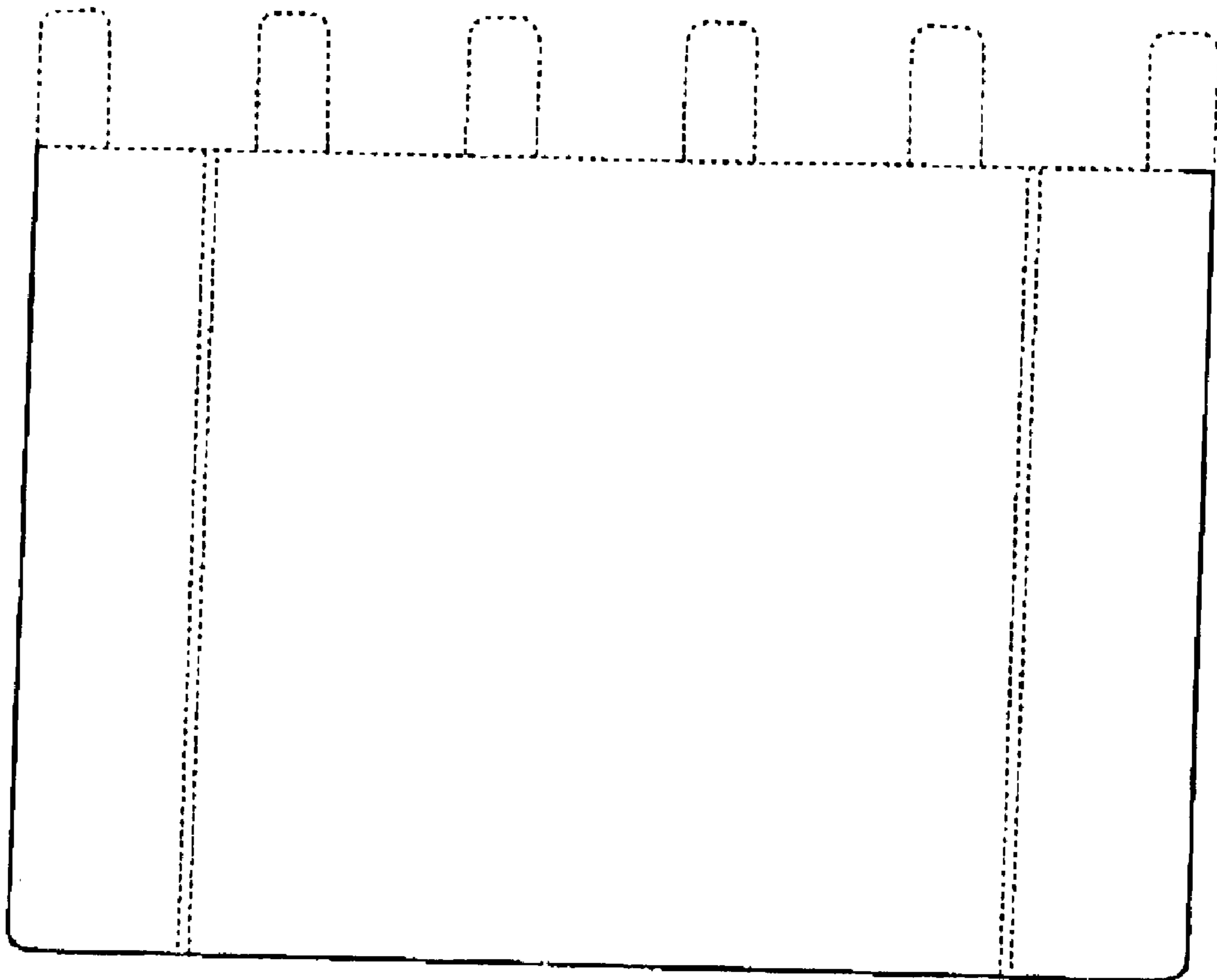


FIG. 9

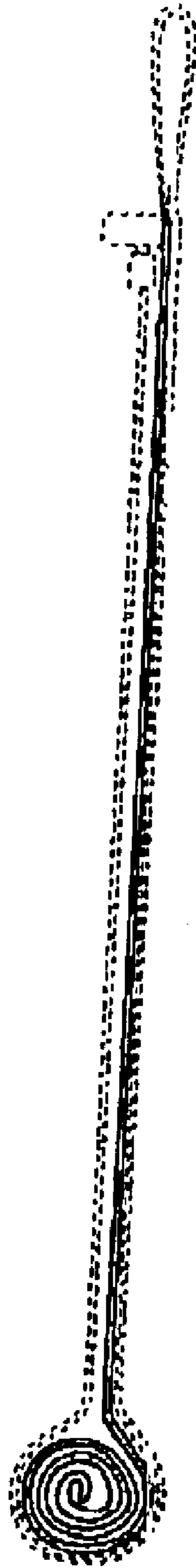


FIG. 10