



US00D530960S

(12) **United States Design Patent**  
**Osiecki et al.**

(10) **Patent No.:** **US D530,960 S**  
(45) **Date of Patent:** **\*\* Oct. 31, 2006**

(54) **J-STYLE GUN RACK**

(75) Inventors: **Scott W. Osiecki**, Skaneateles, NY (US); **Peter F. Lynch**, Skaneateles, NY (US); **Garth R. Gibby**, Syracuse, NY (US)

(73) Assignee: **John D. Brush & Co., Inc.**, Rochester, NY (US)

(\*\*) Term: **14 Years**

(21) Appl. No.: **29/199,152**

(22) Filed: **Feb. 10, 2004**

(51) **LOC (8) Cl.** ..... **08-08**

(52) **U.S. Cl.** ..... **D6/552**

(58) **Field of Classification Search** ..... D6/552;  
211/13.1, 60.1, 64, 70.2, 70.6, 70.8; 248/309.1,  
248/310, 312, 314

See application file for complete search history.

(56) **References Cited**

U.S. PATENT DOCUMENTS

D365,717 S	*	1/1996	Cardenas	.....	D6/552
D406,483 S	*	3/1999	Bast	.....	D6/552
D457,369 S	*	5/2002	Fiscus et al.	.....	D6/552
D461,084 S	*	8/2002	Chen	.....	D6/552
D477,741 S	*	7/2003	Wang	.....	D6/552

\* cited by examiner

*Primary Examiner*—Brian N Vinson

(74) *Attorney, Agent, or Firm*—Jaekle Fleischmann & Mungel, LLP

(57) **CLAIM**

The ornamental design for a J-style gun rack, as shown and described.

**DESCRIPTION**

FIG. 1 is a front perspective view of our new J-style gun rack according to a first embodiment of the present invention; FIG. 2 is a right elevation view of the gun rack shown in FIG. 1;

FIG. 3 is a front elevation view of the gun rack shown in FIG. 1;

FIG. 4 is a rear elevation view of the gun rack shown in FIG. 1;

FIG. 5 is a top view of the gun rack shown in FIG. 1;

FIG. 6 is a bottom view of the gun rack shown in FIG. 1;

FIG. 7 is a left elevation view of the gun rack shown in FIG. 1;

FIG. 8 is a front perspective view of a second embodiment of the present invention;

FIG. 9 is a right elevation view of the gun rack shown in FIG. 8;

FIG. 10 is a front elevation view of the gun rack shown in FIG. 8;

FIG. 11 is a rear elevation view of the gun rack shown in FIG. 8;

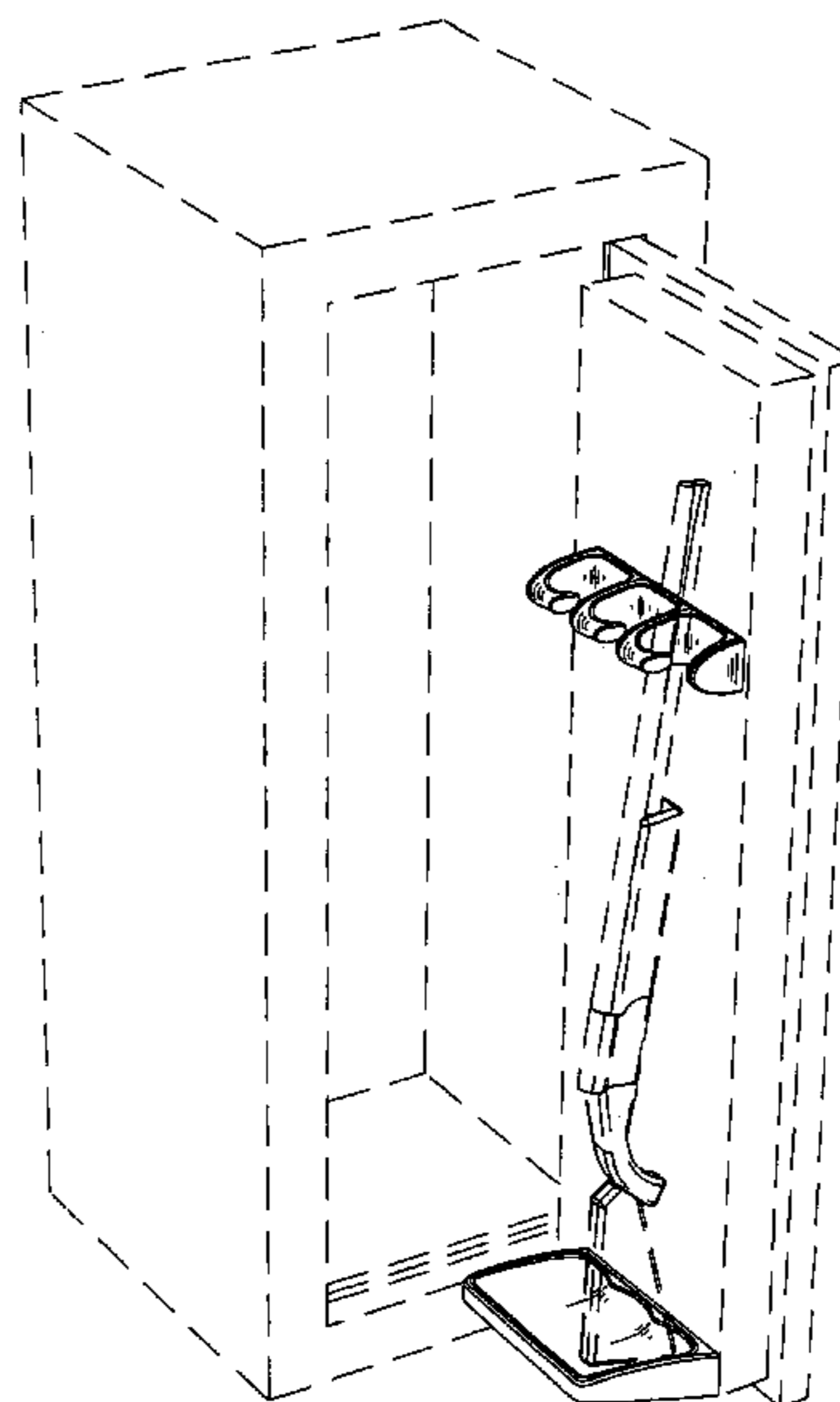
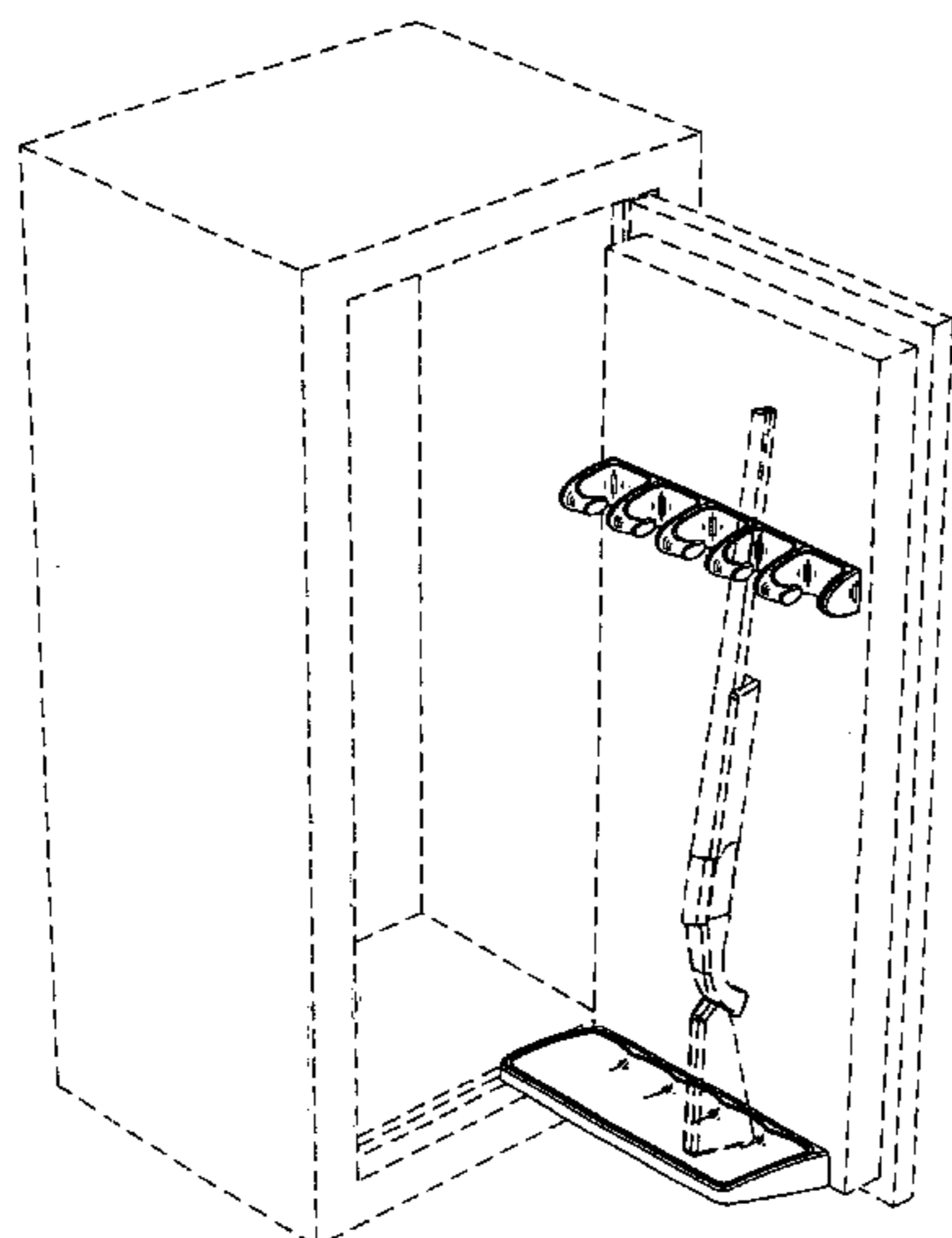
FIG. 12 is a top view of the gun rack shown in FIG. 8;

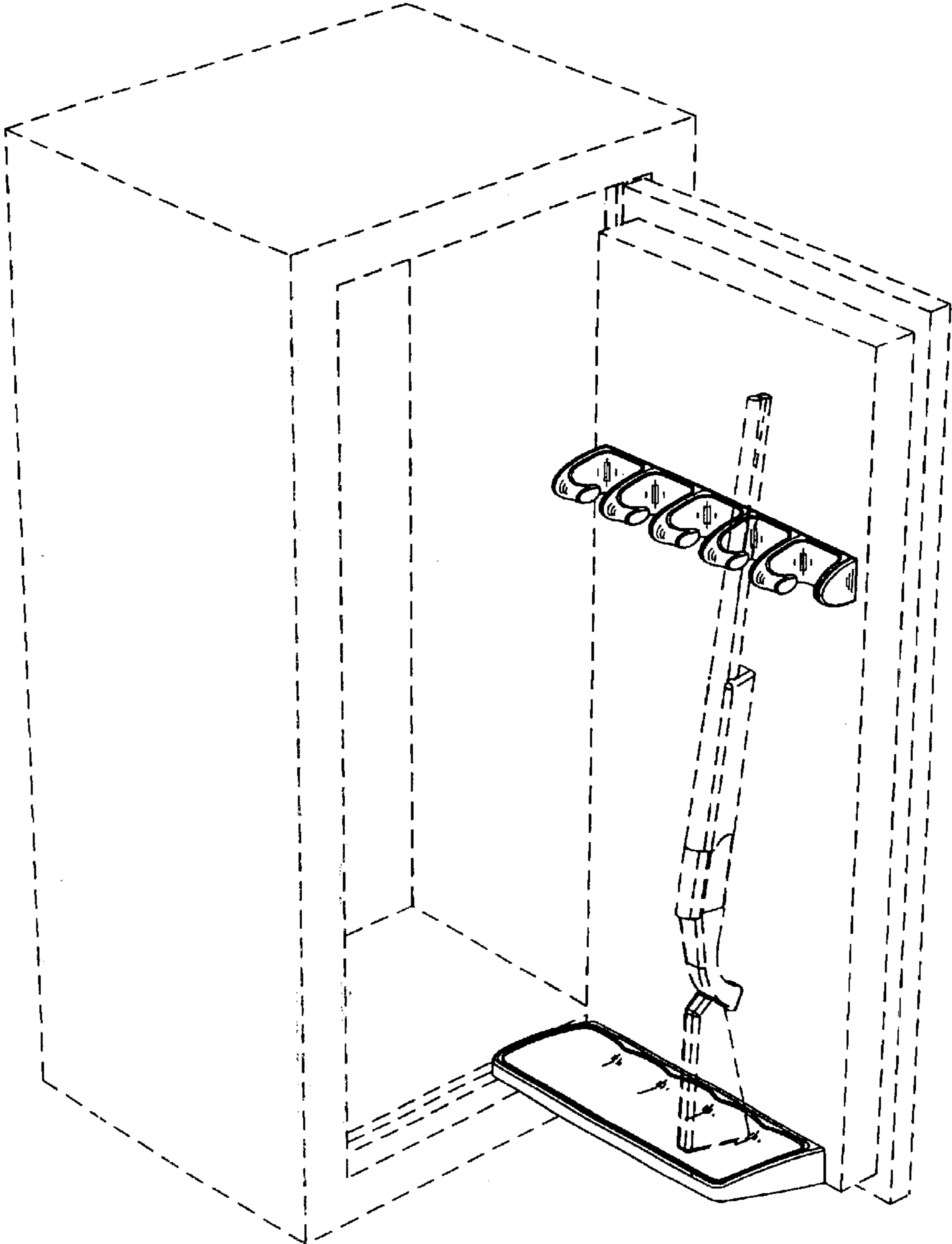
FIG. 13 is a bottom view of the gun rack shown in FIG. 8; and,

FIG. 14 is a left elevation view of the gun rack shown in FIG. 8.

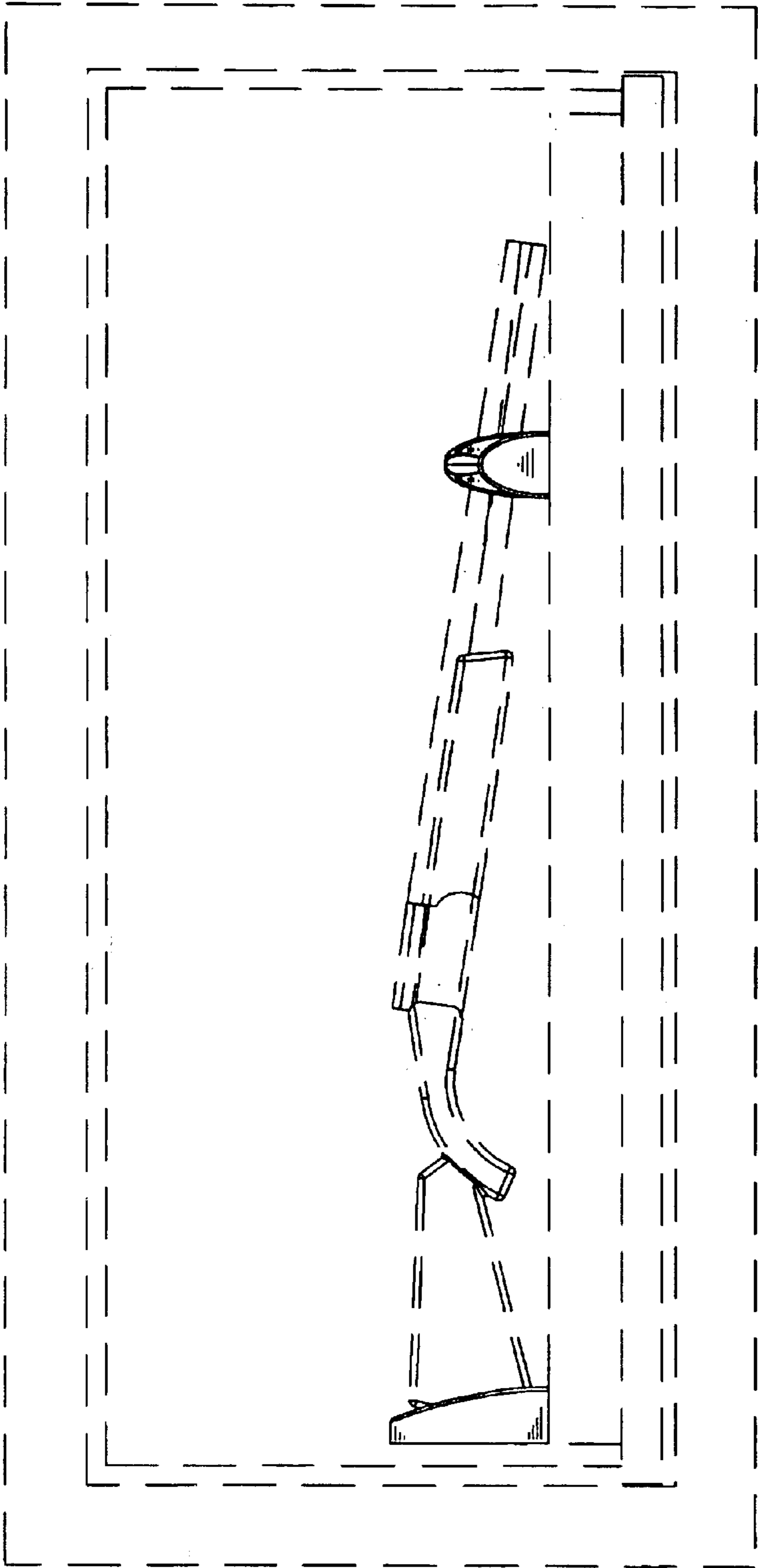
The broken lines showing an enclosure having a door in an opened position in FIGS. 1-14 is for illustrative purposes and forms no part of the claimed design. In addition, the broken lines showing a gun positioned in the present invention in FIGS. 1-4, 7-11 and 14 is for illustrative purposes and forms no part of the claimed design.

**1 Claim, 12 Drawing Sheets**

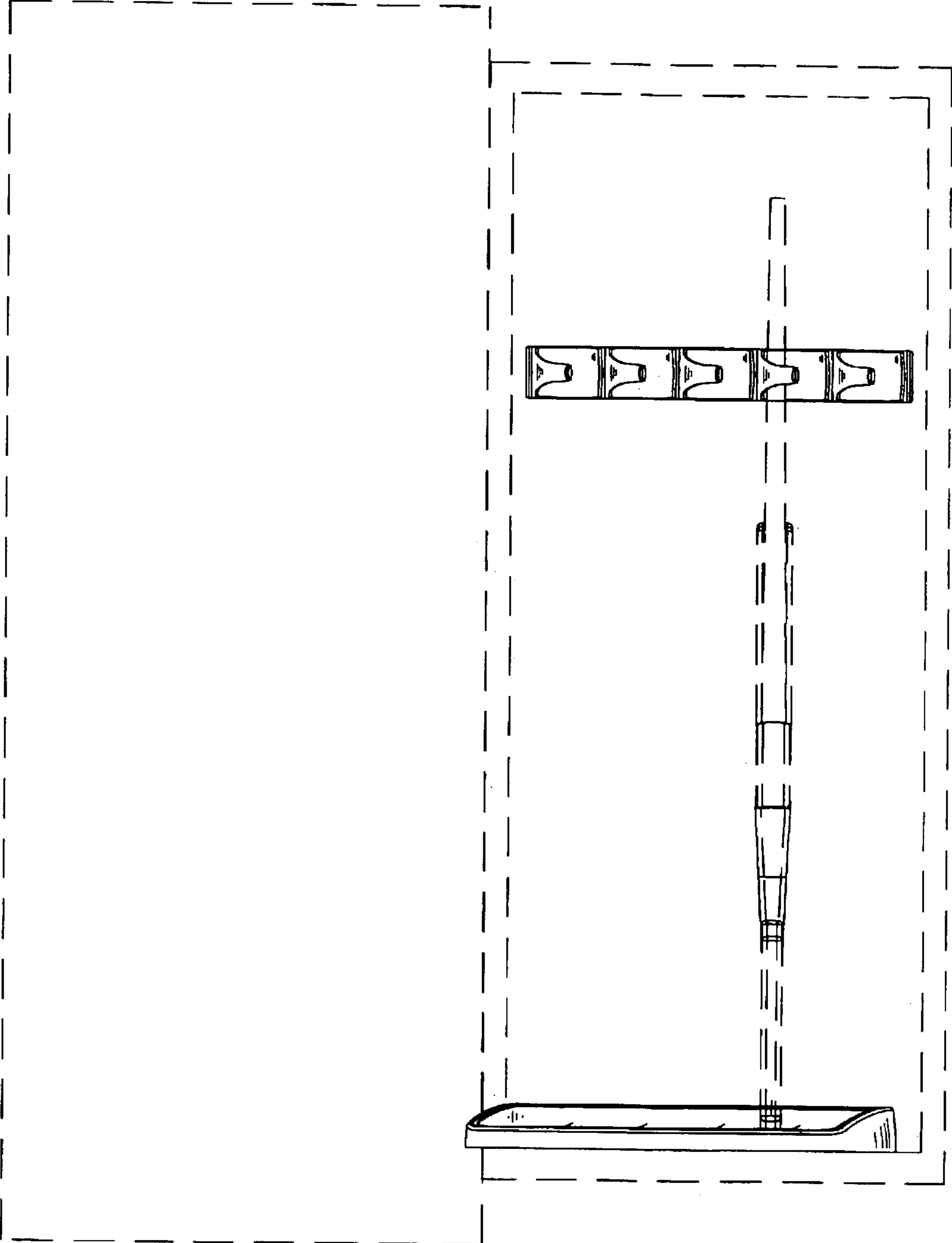




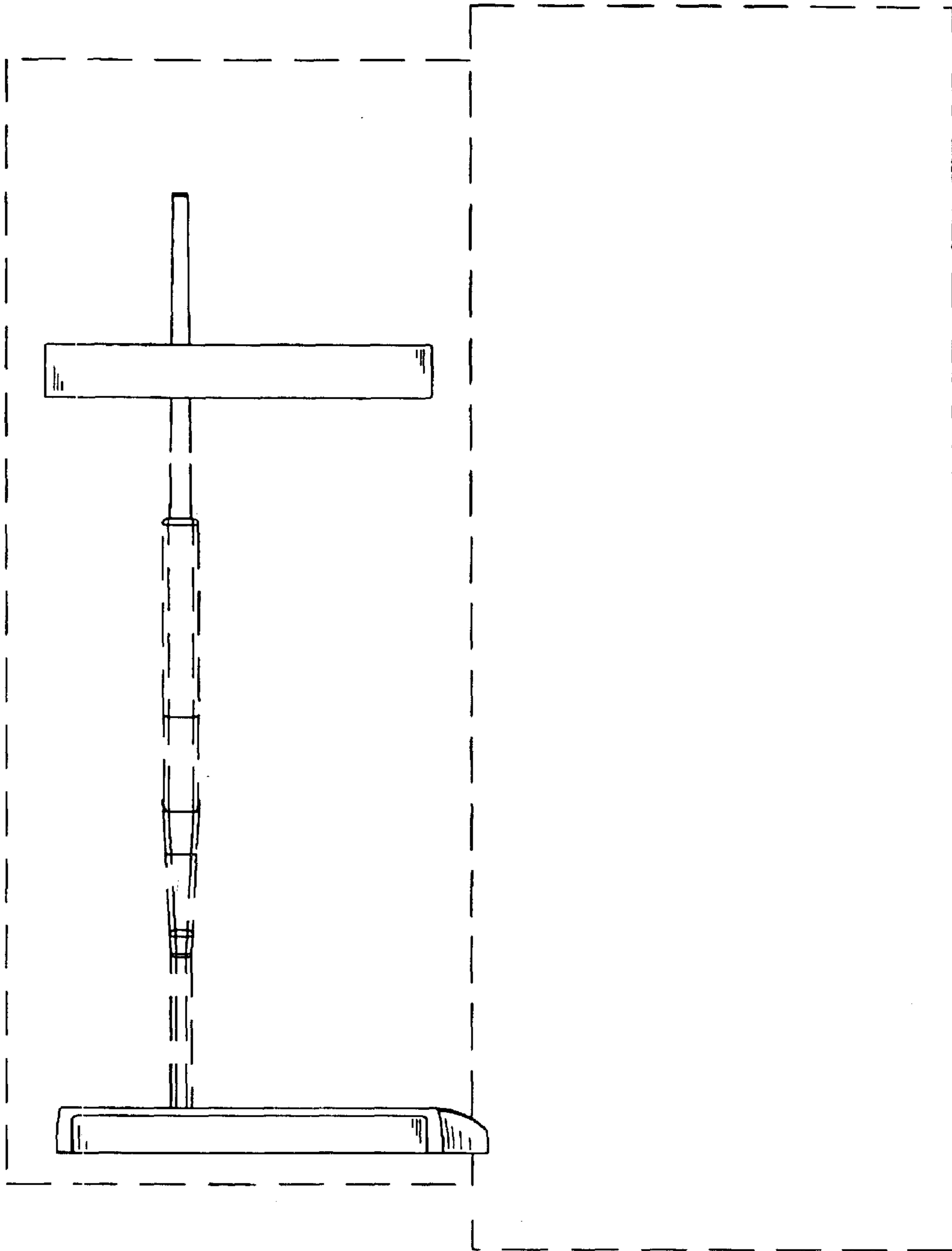
**FIG. 1**



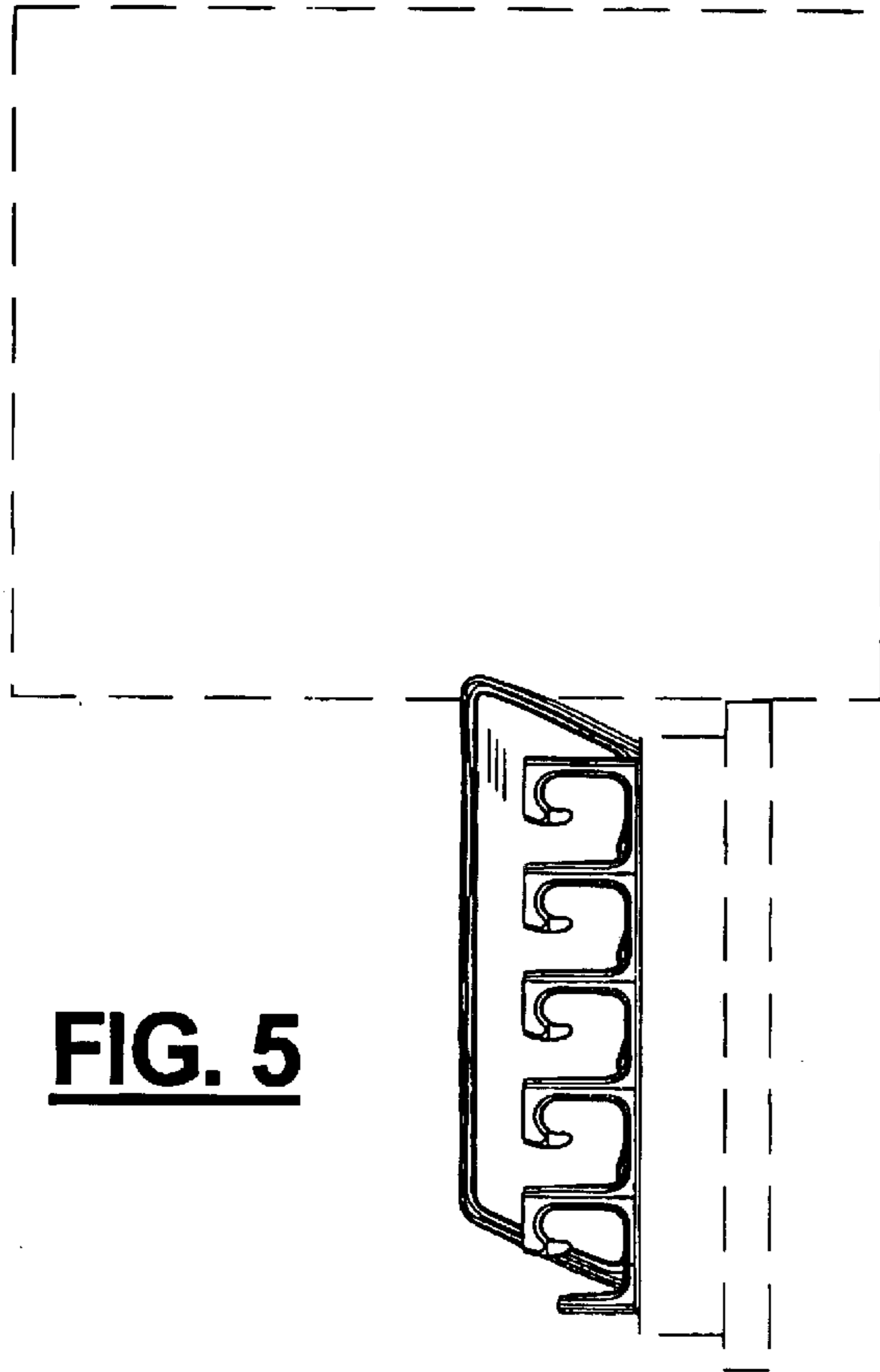
**FIG. 2**



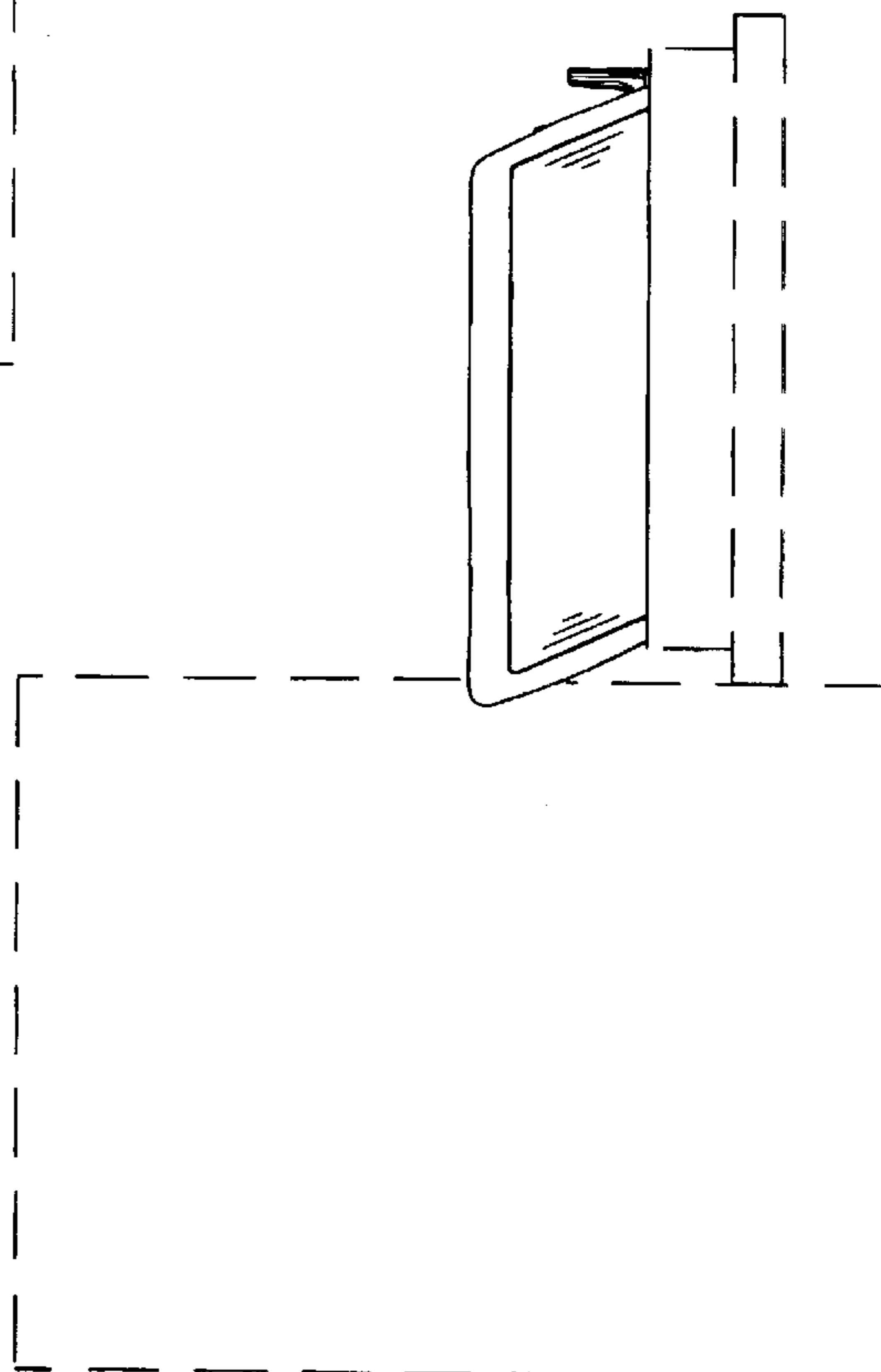
**FIG. 3**



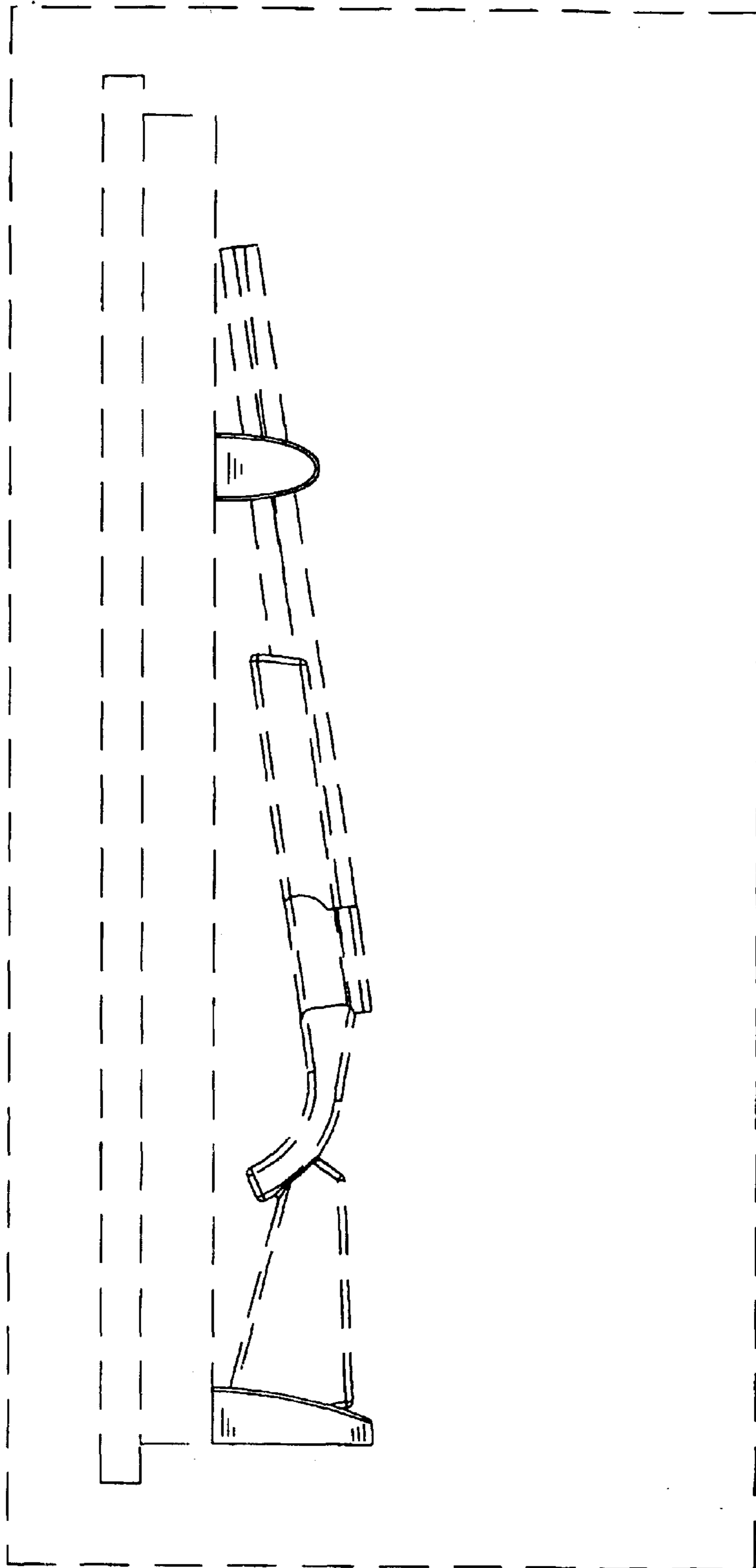
**FIG. 4**



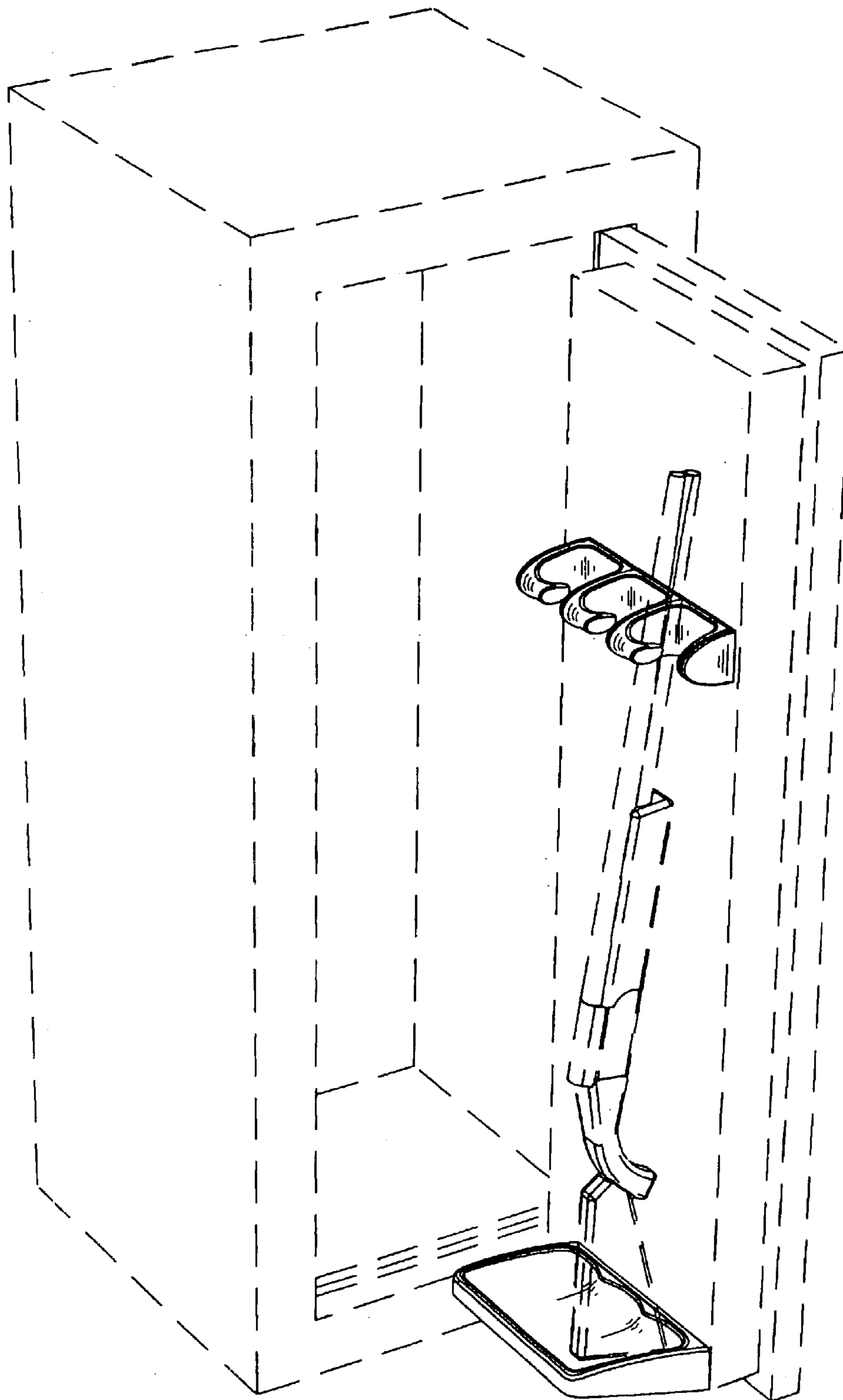
**FIG. 5**



**FIG. 6**

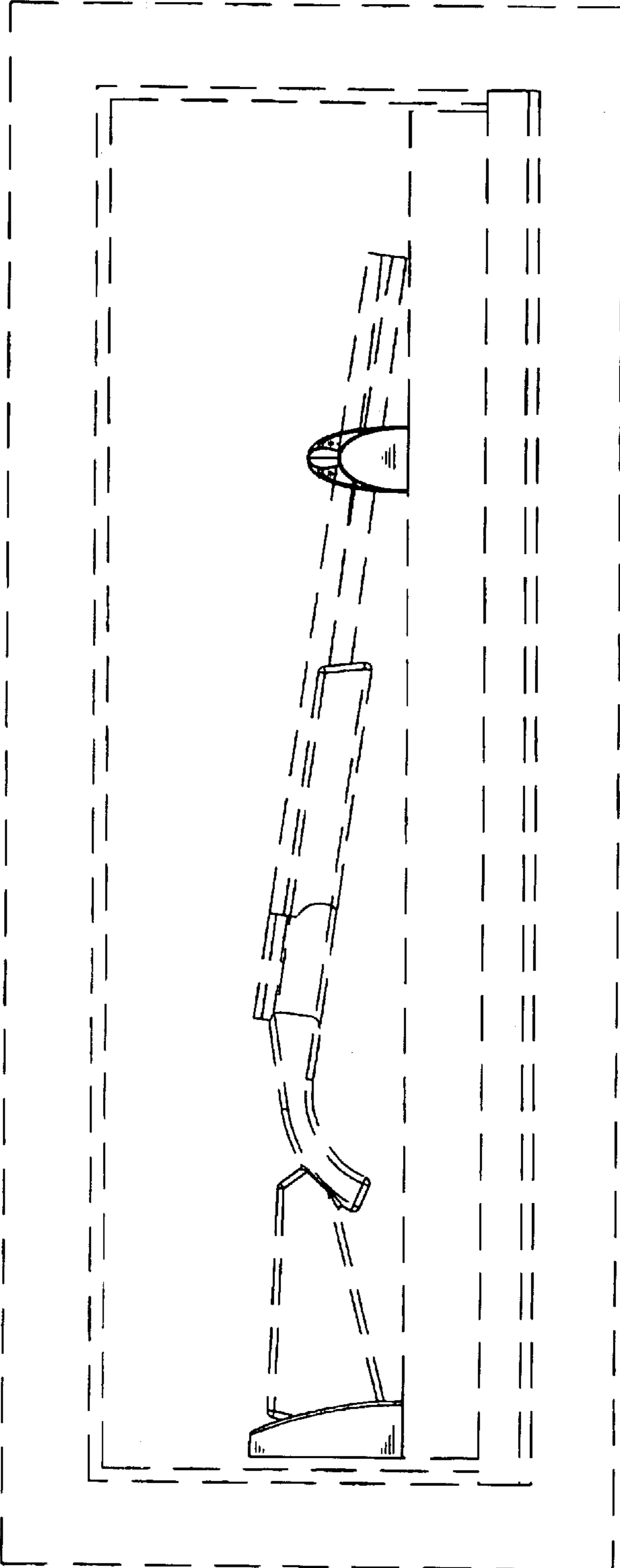


**FIG. 7**

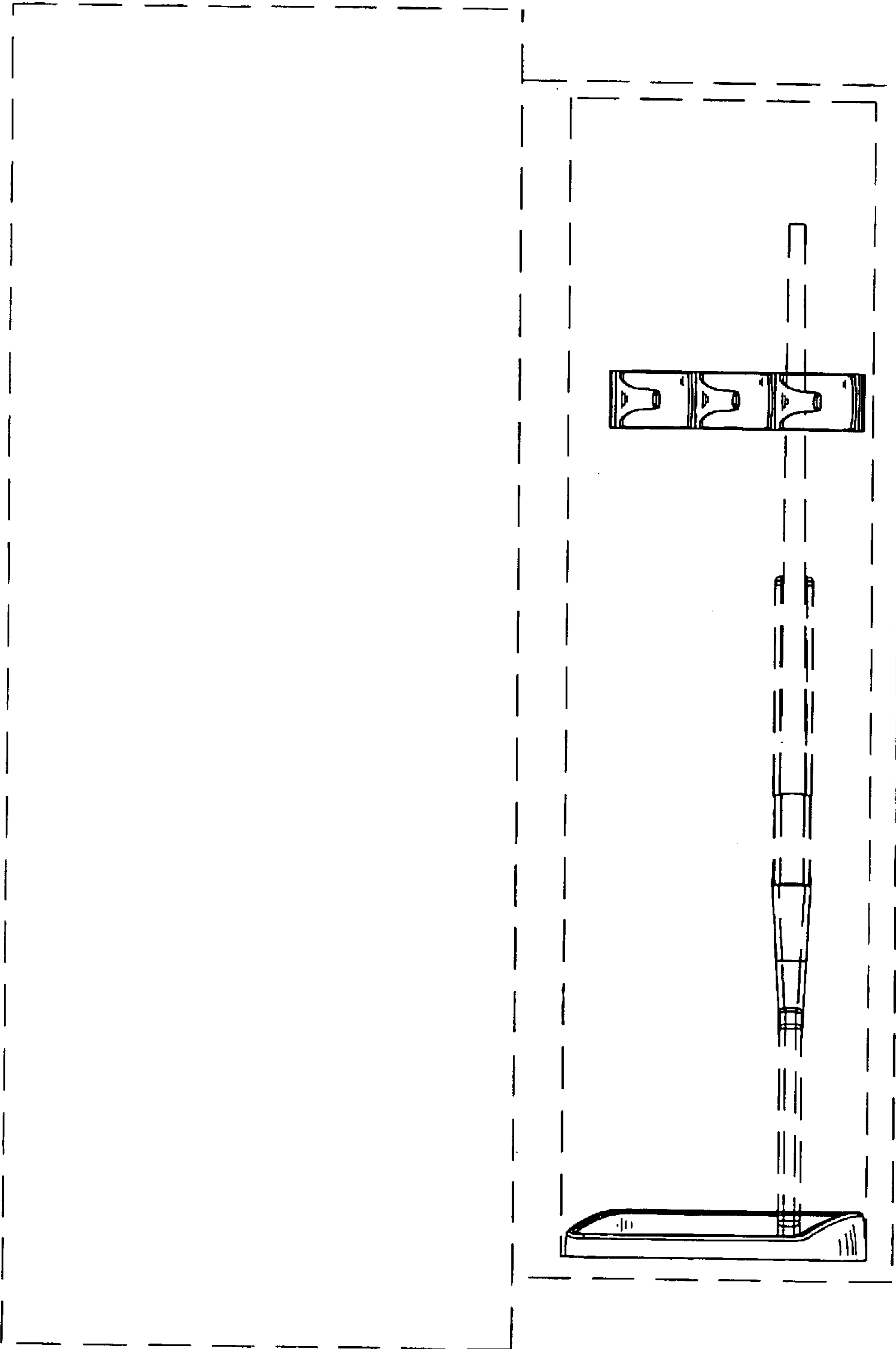


**FIG. 8**

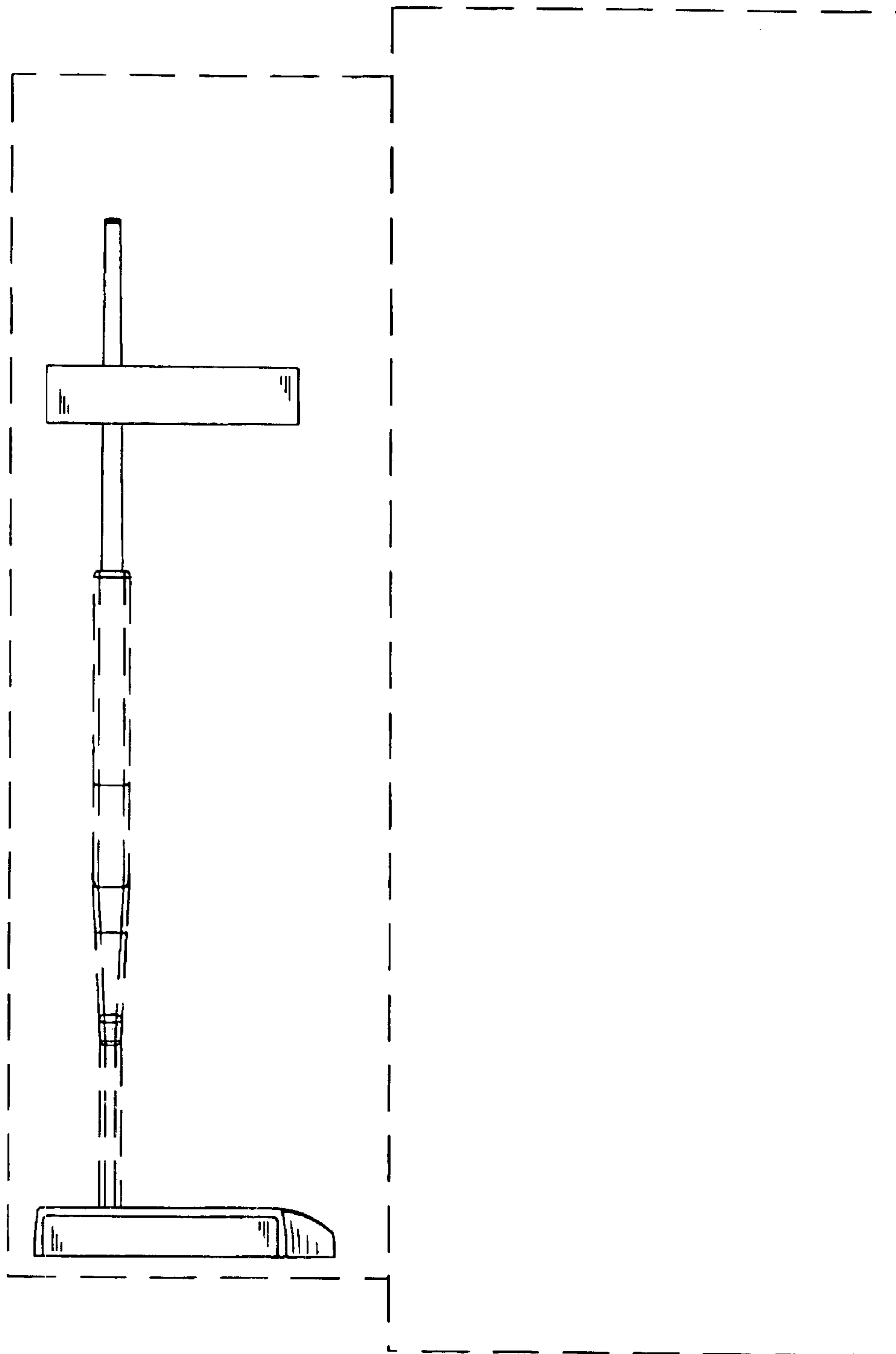




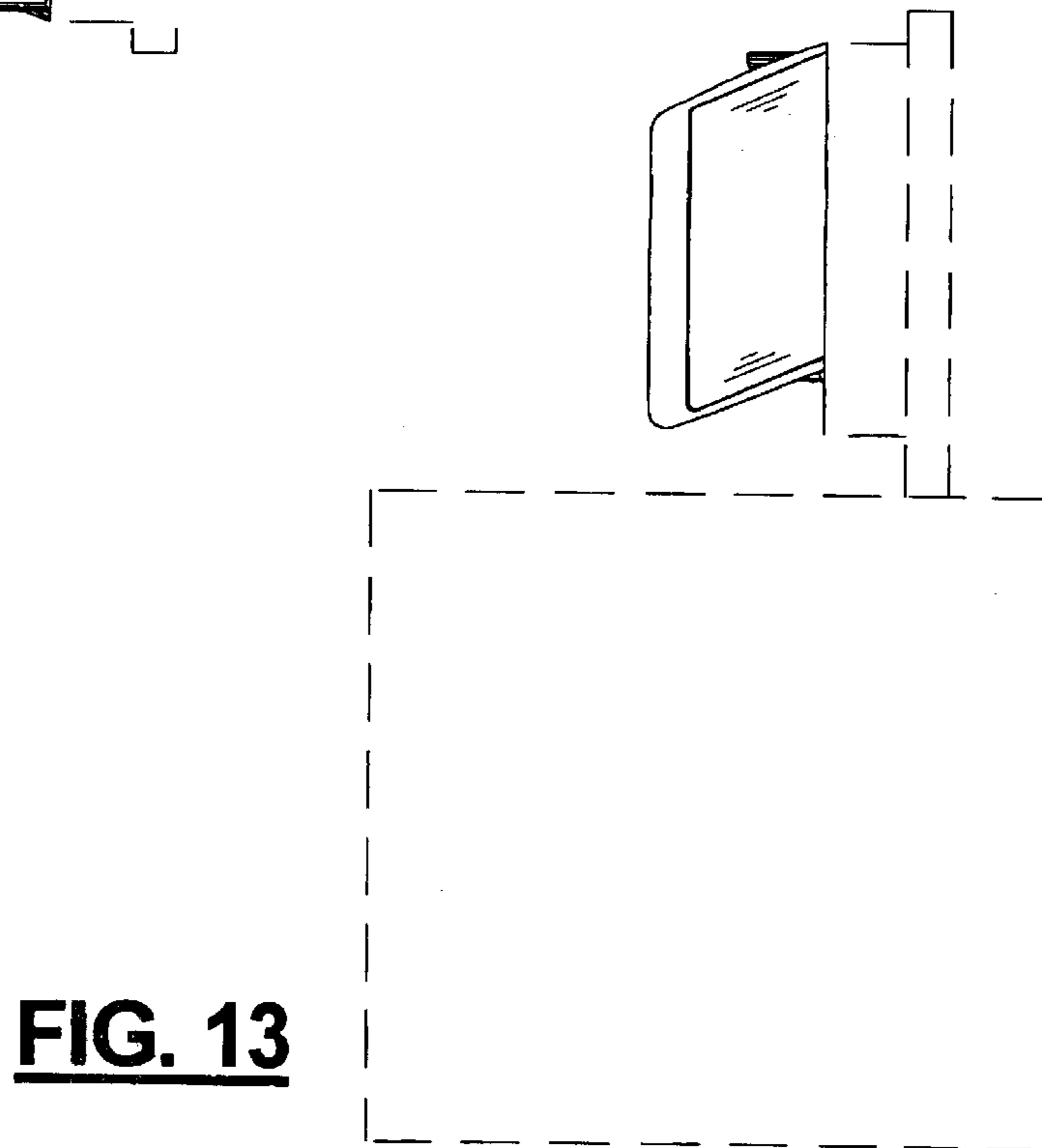
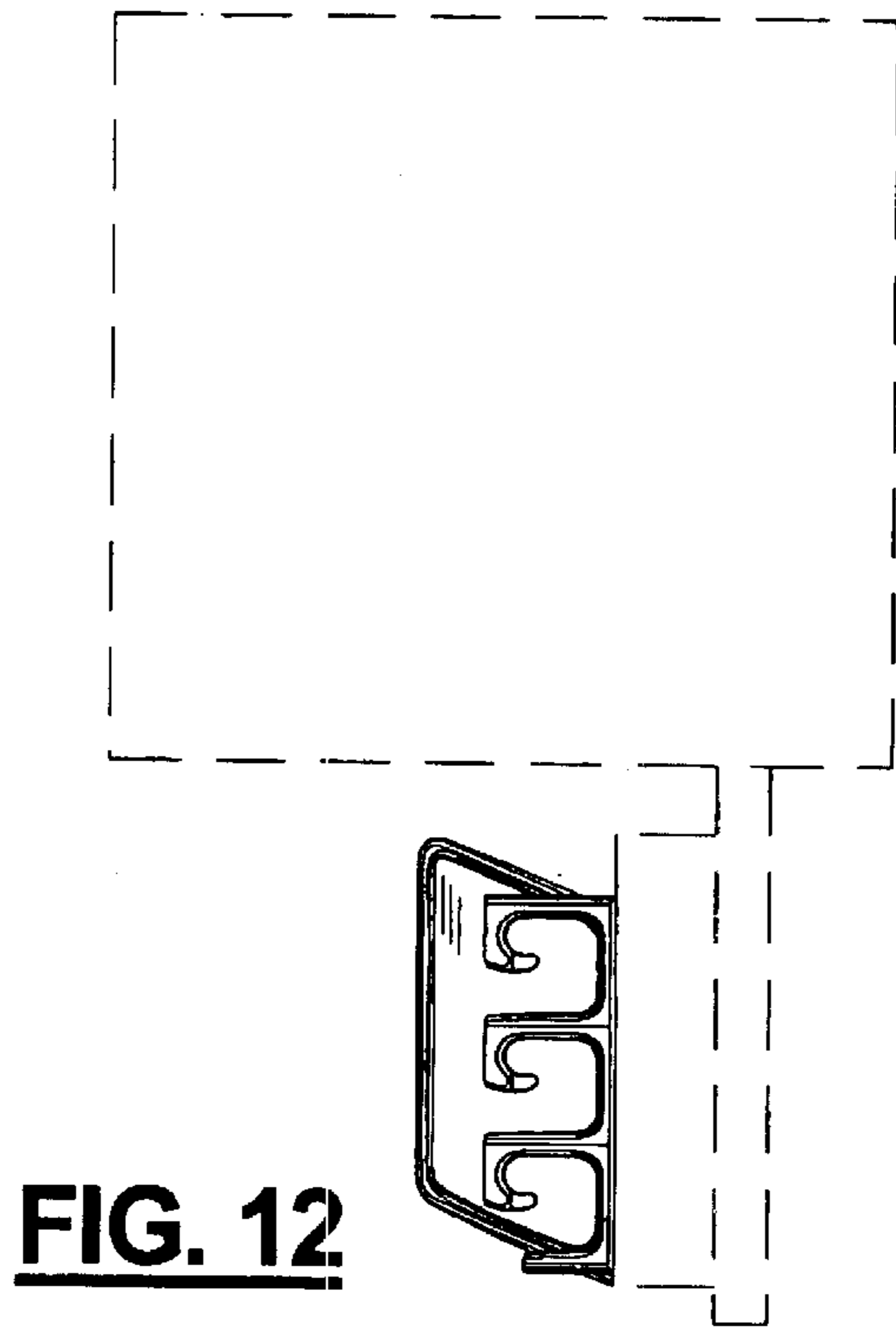
**FIG. 9**

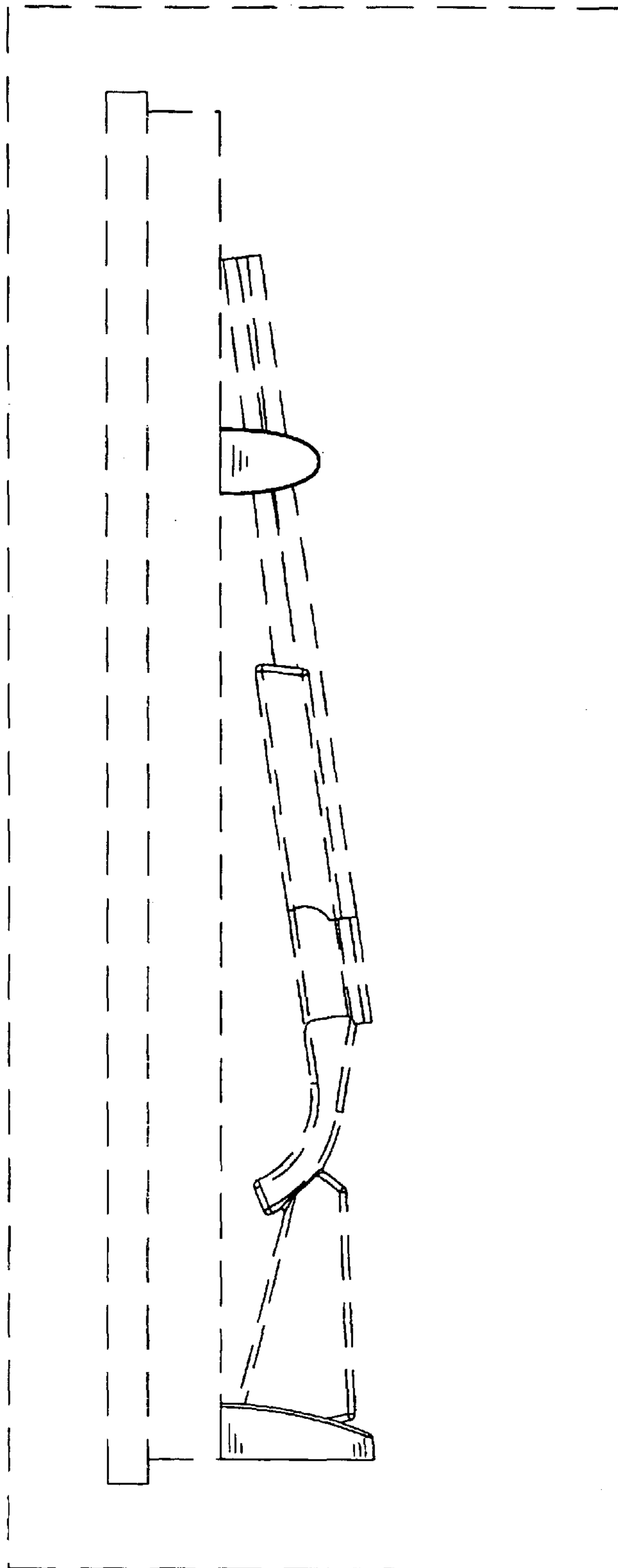


**FIG. 10**



**FIG. 11**





**FIG. 14**