



US00D530959S

(12) **United States Design Patent**  
**Snell**

(10) **Patent No.:** **US D530,959 S**

(45) **Date of Patent:** **\*\* Oct. 31, 2006**

(54) **TOILET BOWL BRUSH BASE**

D511,062 S \* 11/2005 Lai ..... D6/524

(75) Inventor: **Russell Benton Snell**, Bentleyville, OH  
(US)

\* cited by examiner

*Primary Examiner*—Brian N Vinson

(73) Assignee: **InterDesign, Inc.**, Solon, OH (US)

(74) *Attorney, Agent, or Firm*—D. Peter Hochberg; Sean Mellino

(\*\*) Term: **14 Years**

(57) **CLAIM**

(21) Appl. No.: **29/256,494**

The ornamental design for a toilet bowl brush base, as shown and described.

(22) Filed: **Mar. 21, 2006**

**DESCRIPTION**

(51) **LOC (8) Cl.** ..... **06-04**

(52) **U.S. Cl.** ..... **D6/551**

(58) **Field of Classification Search** ..... D6/524,  
D6/525, 551; 312/206, 207; 206/207, 349,  
206/361; 4/255.05, 255.11

See application file for complete search history.

FIG. 1 is a perspective view of the toilet bowl brush base according to the invention;

FIG. 2 is a side view of the toilet bowl brush base as shown in FIG 1;

FIG. 3 is a top view of the toilet bowl brush base as shown in FIG 1; and,

FIG. 4 is a bottom view of the toilet bowl brush base as shown in FIG 1.

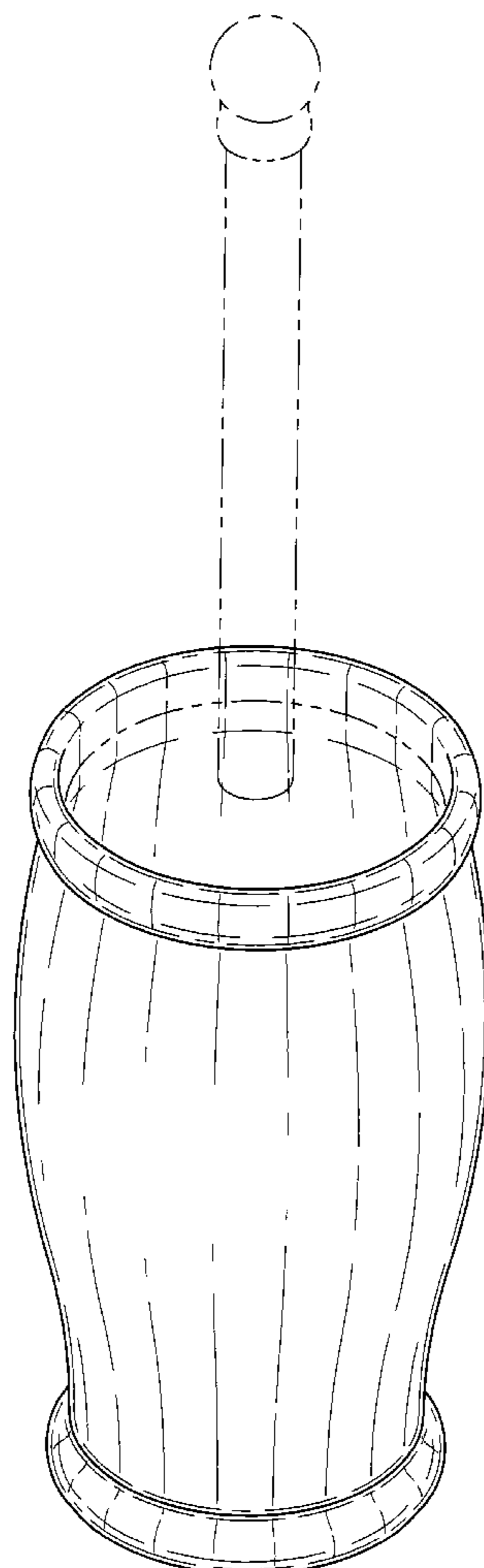
The broken-line disclosure in the views is for illustrative purposes only and forms no part of the claimed design.

(56) **References Cited**

U.S. PATENT DOCUMENTS

- D465,957 S \* 11/2002 Driscoll et al. .... D6/551
- D483,591 S \* 12/2003 Dretzka ..... D6/551
- D499,593 S \* 12/2004 Berti ..... D6/551

**1 Claim, 2 Drawing Sheets**



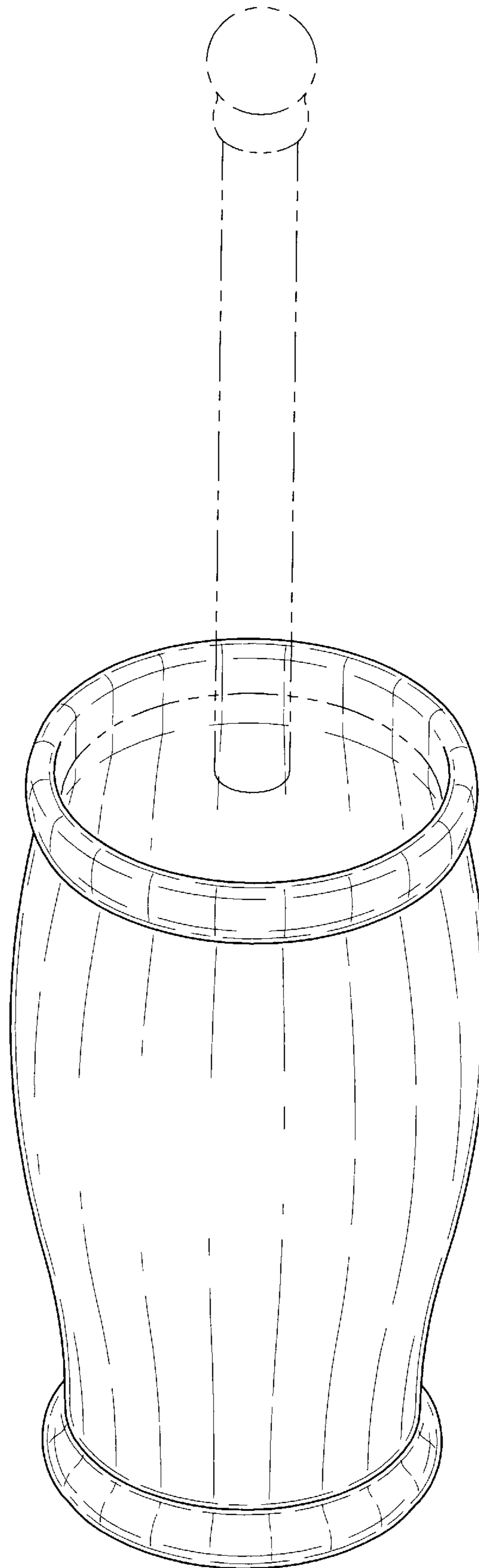


FIG-1

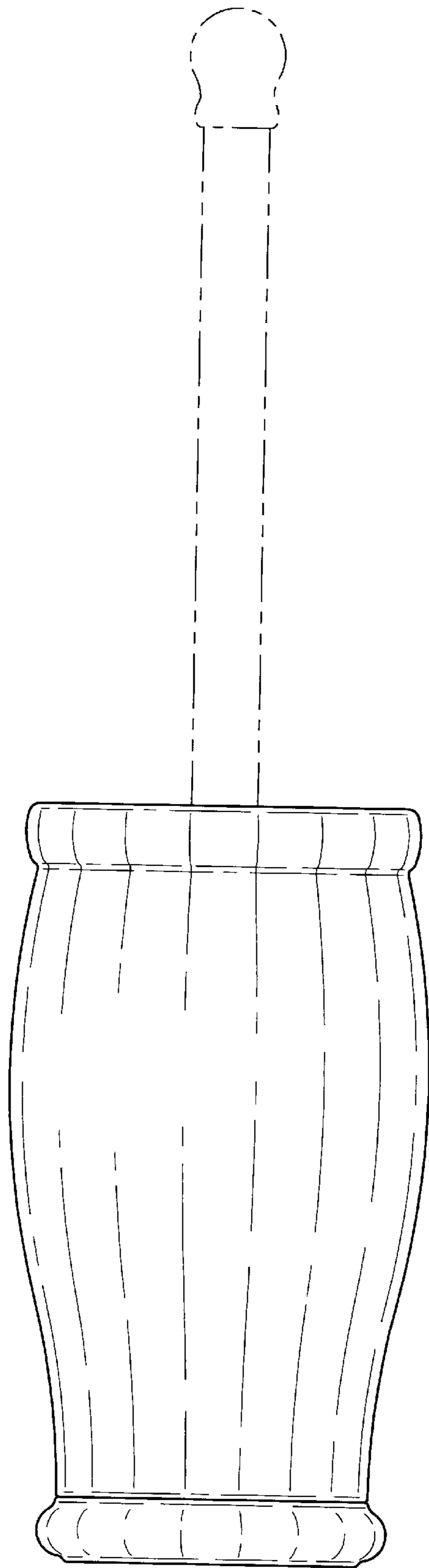


FIG-2

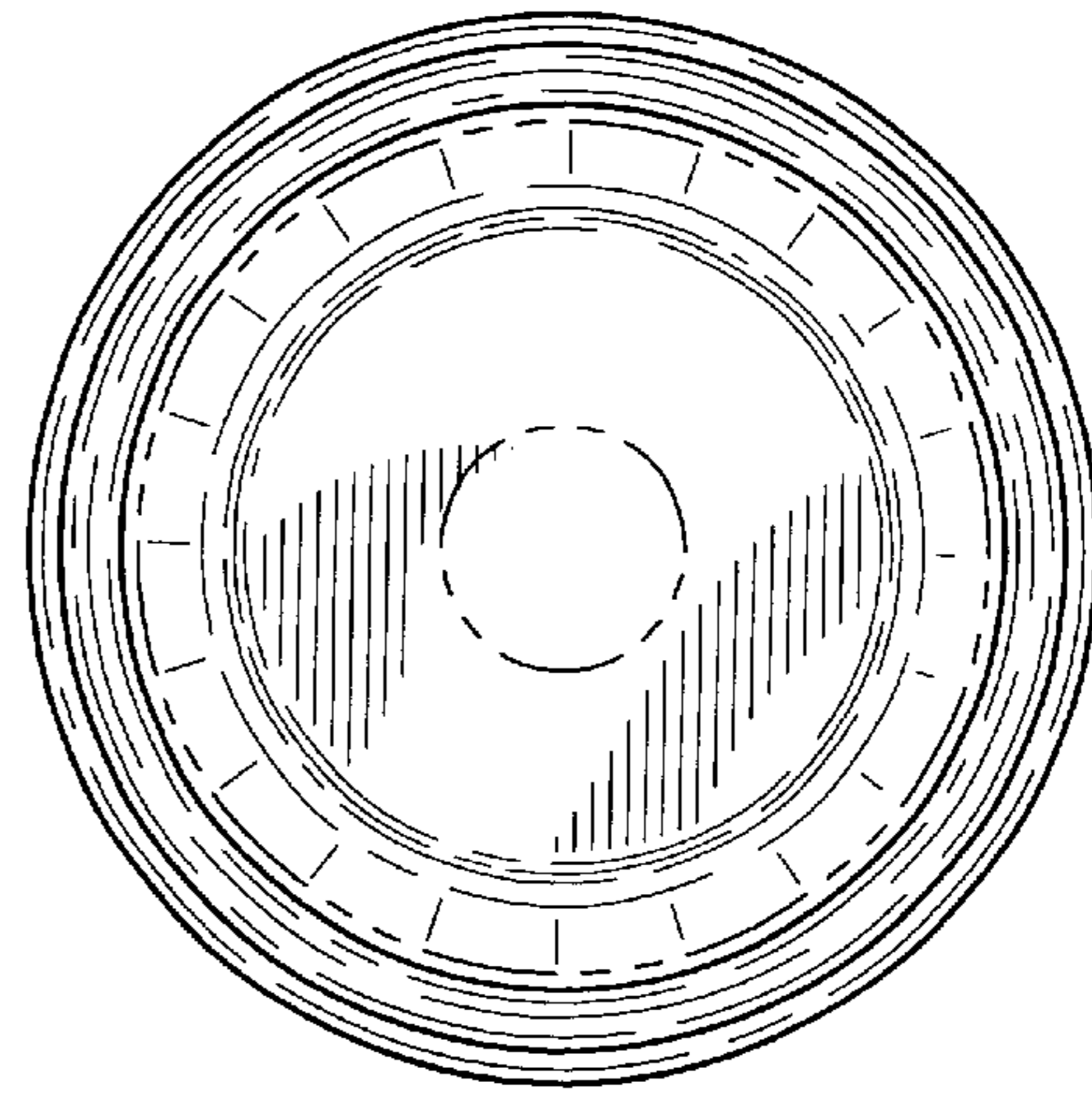


FIG-3

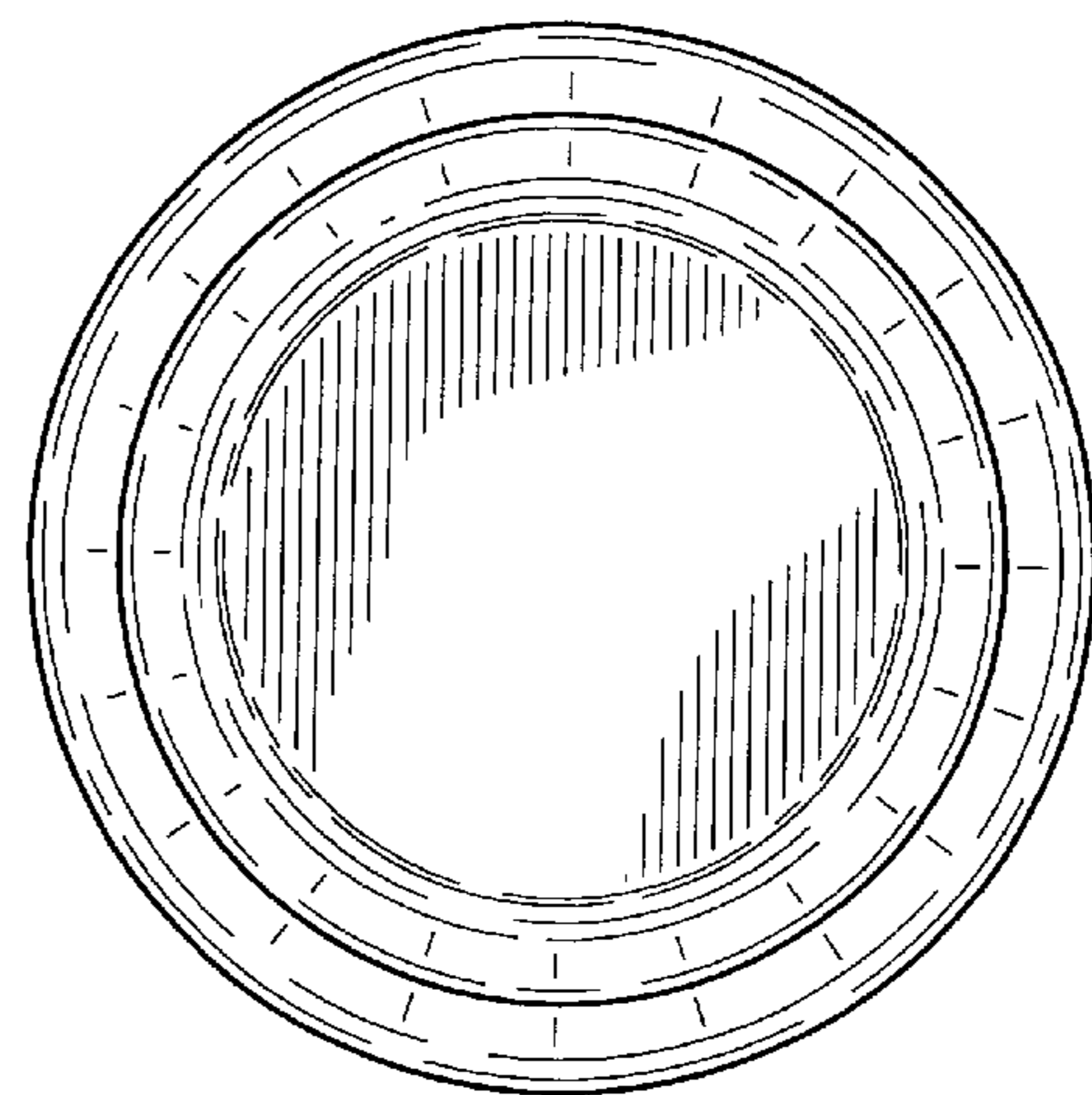


FIG-4

UNITED STATES PATENT AND TRADEMARK OFFICE  
**CERTIFICATE OF CORRECTION**

PATENT NO. : Des. 530,959 S  
APPLICATION NO. : 29/256494  
DATED : October 31, 2006  
INVENTOR(S) : Russell Benton Snell

Page 1 of 1

It is certified that error appears in the above-identified patent and that said Letters Patent is hereby corrected as shown below:

On Title Page  
Item (56) References Cited

Add the following:

D481,574 11/24/2003 Snell

D483,590 12/16/2003 Dretzka

D484,723 1/6/2004 Snell

2004 InterDesign, Inc. product brochure, p. 34

Signed and Sealed this

Twenty-eighth Day of August, 2007

A handwritten signature in black ink on a light gray dotted background. The signature reads "Jon W. Dudas" in a cursive style.

JON W. DUDAS

*Director of the United States Patent and Trademark Office*