



US00D530957S

(12) **United States Design Patent**  
**Gilbert**

(10) **Patent No.:** **US D530,957 S**

(45) **Date of Patent:** **\*\* Oct. 31, 2006**

(54) **POST**

(75) **Inventor:** **Christopher Jon Gilbert**, Moreland Hills, OH (US)

(73) **Assignee:** **Moen Incorporated**, North Olmsted, OH (US)

(\*\*) **Term:** **14 Years**

(21) **Appl. No.:** **29/235,547**

(22) **Filed:** **Aug. 3, 2005**

(51) **LOC (8) Cl.** ..... **23-02**

(52) **U.S. Cl.** ..... **D6/550**

(58) **Field of Classification Search** ..... D6/546-550,  
D6/518-523; D8/300, 303, 315-321, 349,  
D8/354, 363, 373, 380; 108/28-29; 211/13.1,  
211/16, 60.1, 100, 86.01, 87.01, 88.01, 88.04,  
211/105.1-105.2, 123, 182, 181.1; 248/175,  
248/176.1, 251, 302, 309.1; 16/110.1, 412,  
16/415; 242/570, 590, 595-598

See application file for complete search history.

(56) **References Cited**

**U.S. PATENT DOCUMENTS**

1,177,232 A 3/1916 Chisholm  
D329,346 S \* 9/1992 McKeone et al. .... D6/549

D385,954 S 11/1997 Hundley et al.  
D449,477 S 10/2001 Travis  
D453,437 S 2/2002 Gilbert  
D465,366 S \* 11/2002 Ouyoung ..... D6/523  
D467,456 S \* 12/2002 Yen ..... D6/549  
D477,732 S 7/2003 Hoernig  
D478,449 S \* 8/2003 Hoernig ..... D6/549  
D499,289 S 12/2004 Chang

\* cited by examiner

*Primary Examiner*—Brian N Vinson

(74) *Attorney, Agent, or Firm*—Calfee, Halter & Griswold LLP

(57) **CLAIM**

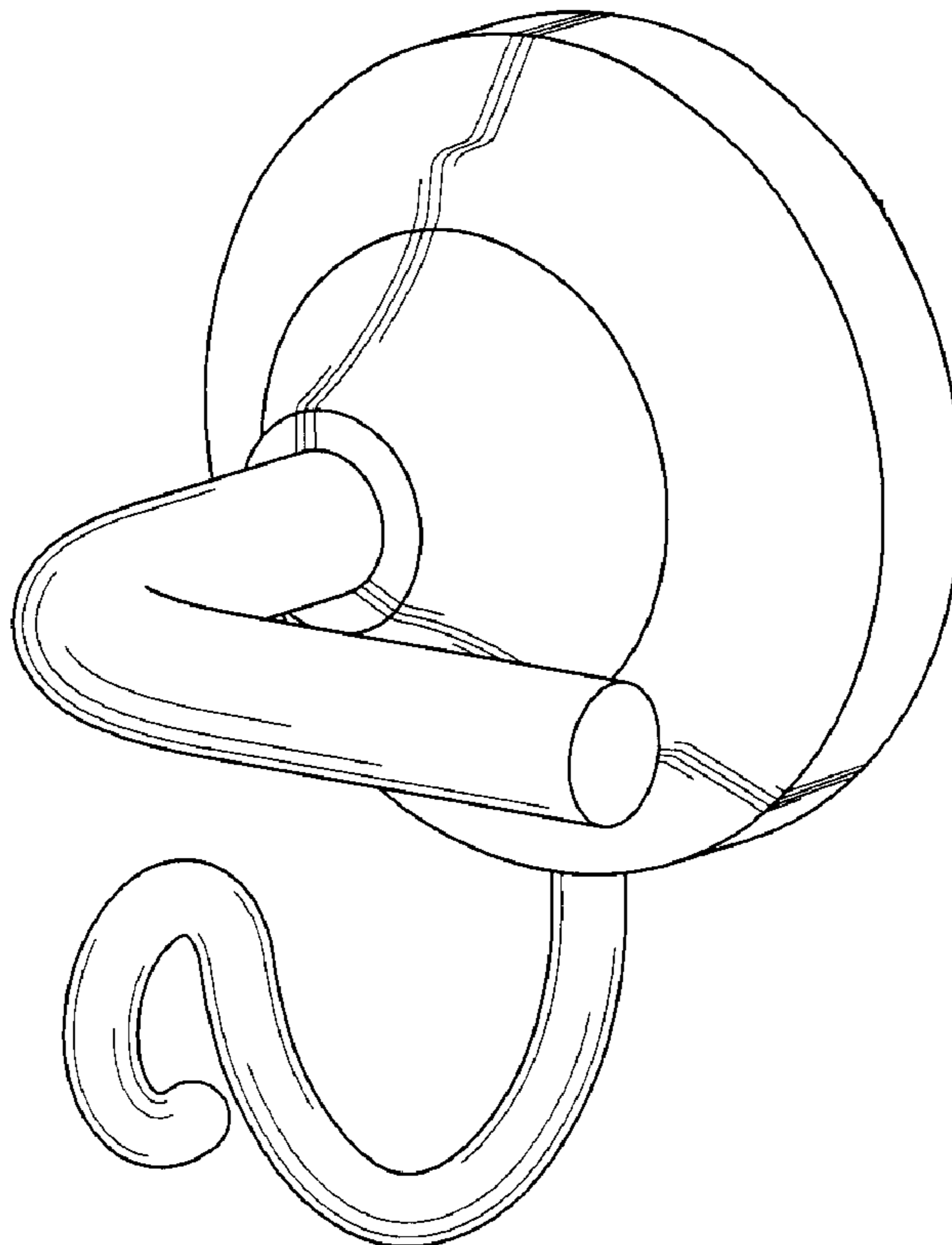
The ornamental design for a post, as shown and described.

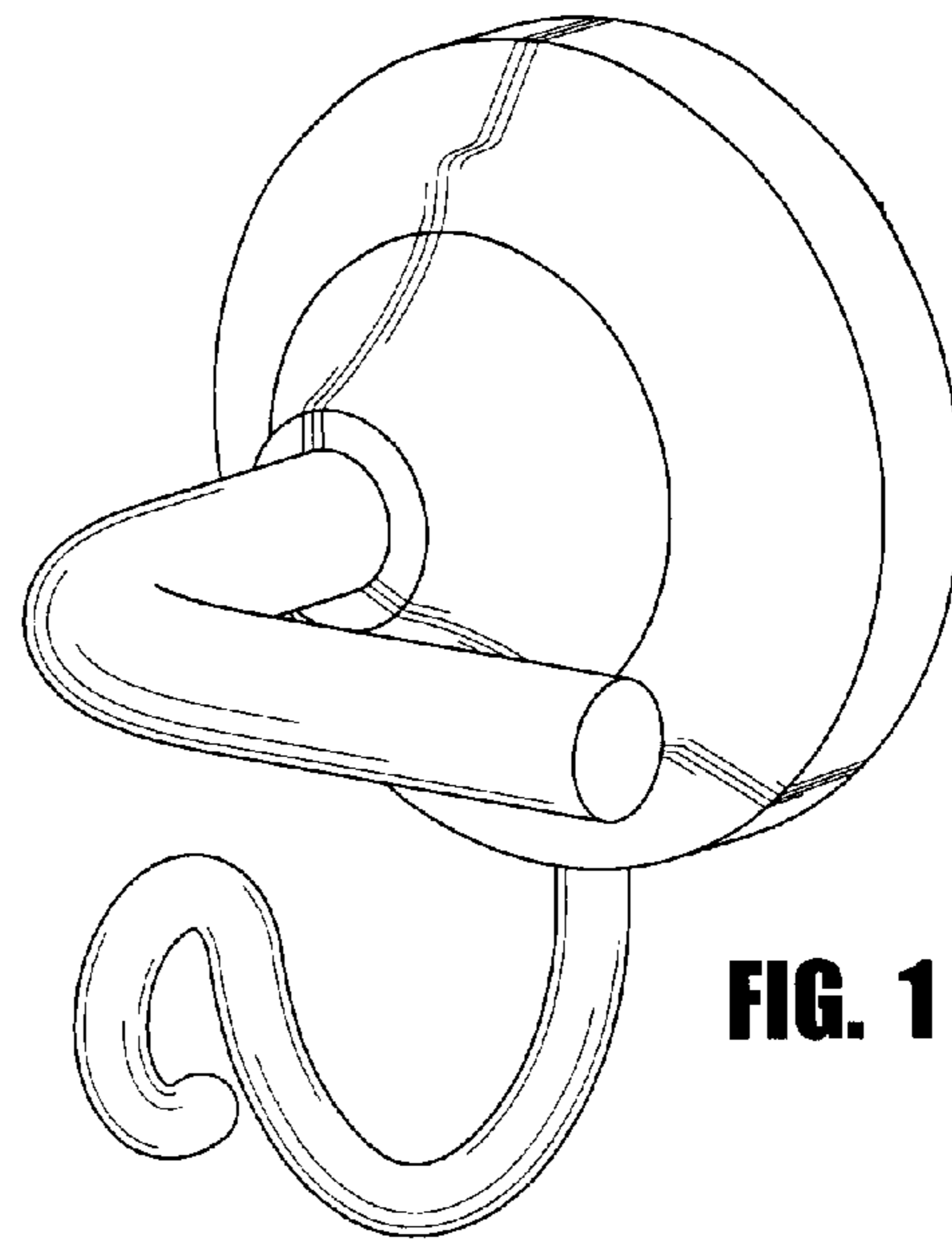
**DESCRIPTION**

FIG. 1 is a perspective view of a post of the new design; FIG. 2 is a front elevational view of the post of FIG. 1; FIG. 3 is a rear elevational view of the post of FIG. 1; FIG. 4 is a left side elevational view of the post of FIG. 1; FIG. 5 is a right side elevational view of the post of FIG. 1; FIG. 6 is a top plan view of the post of FIG. 1; and, FIG. 7 is a bottom plan view of the post of FIG. 1.

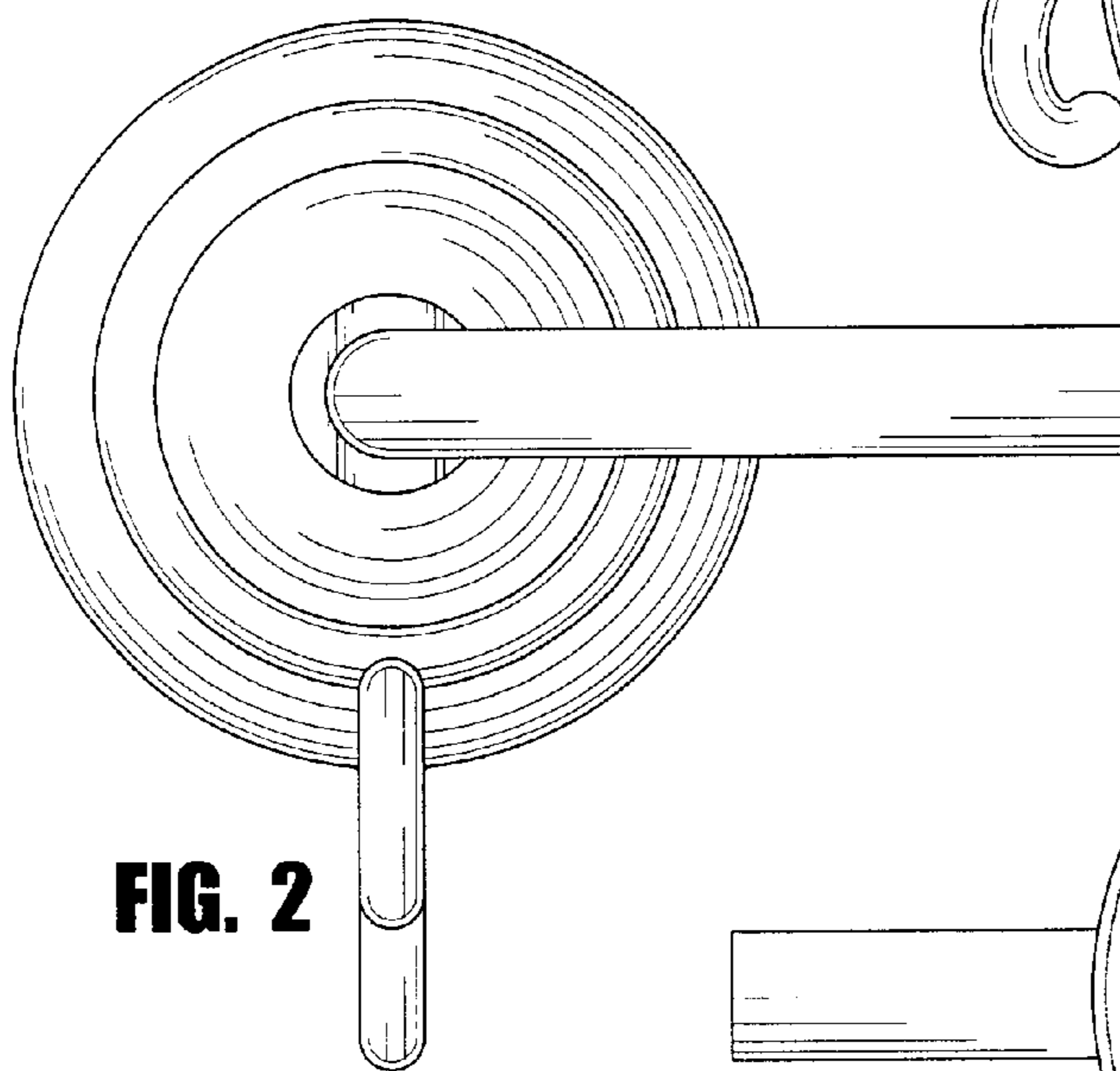
The portions of the Figures shown in broken lines are not part of the claimed design but are for illustration only.

**1 Claim, 3 Drawing Sheets**

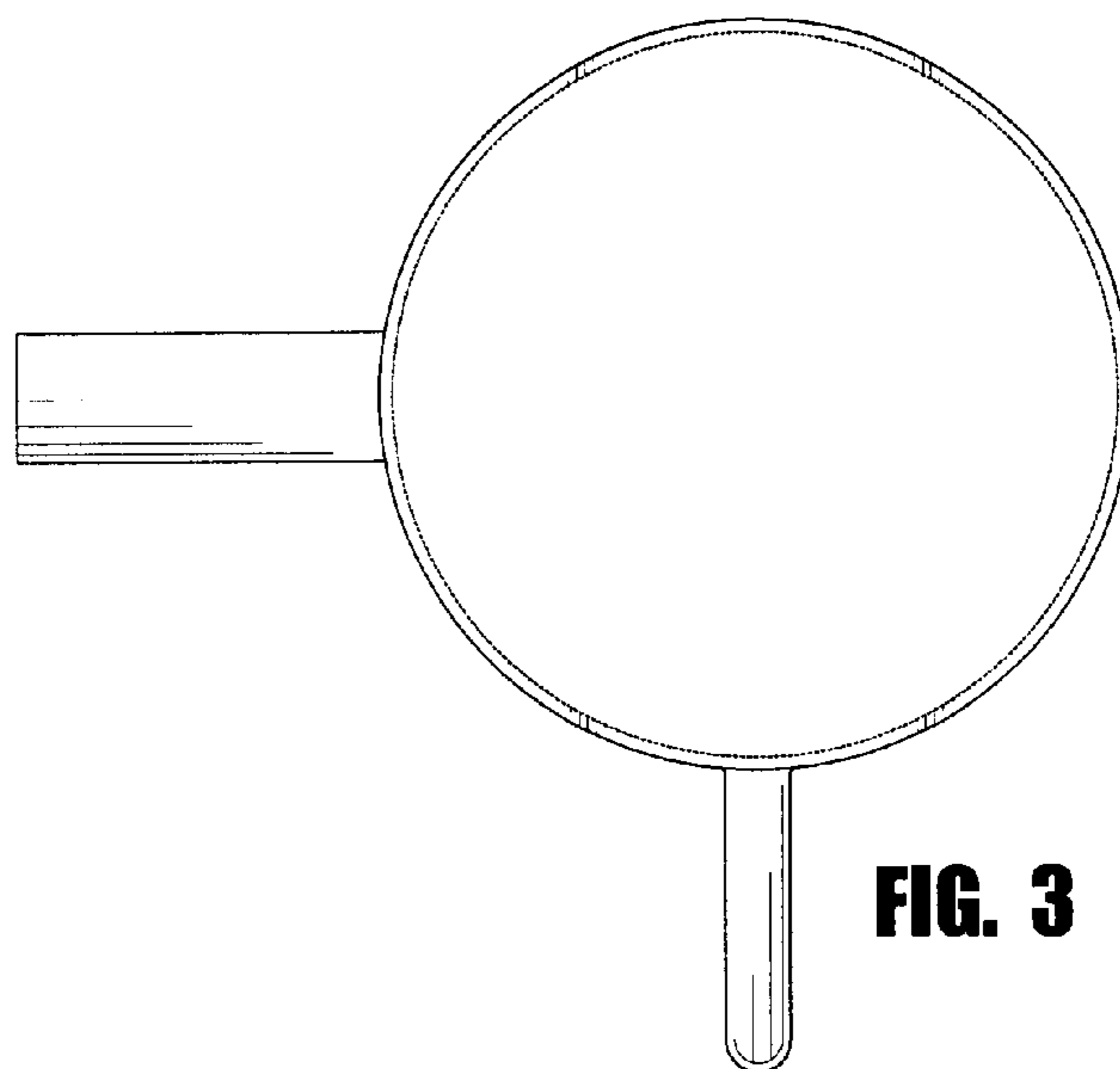




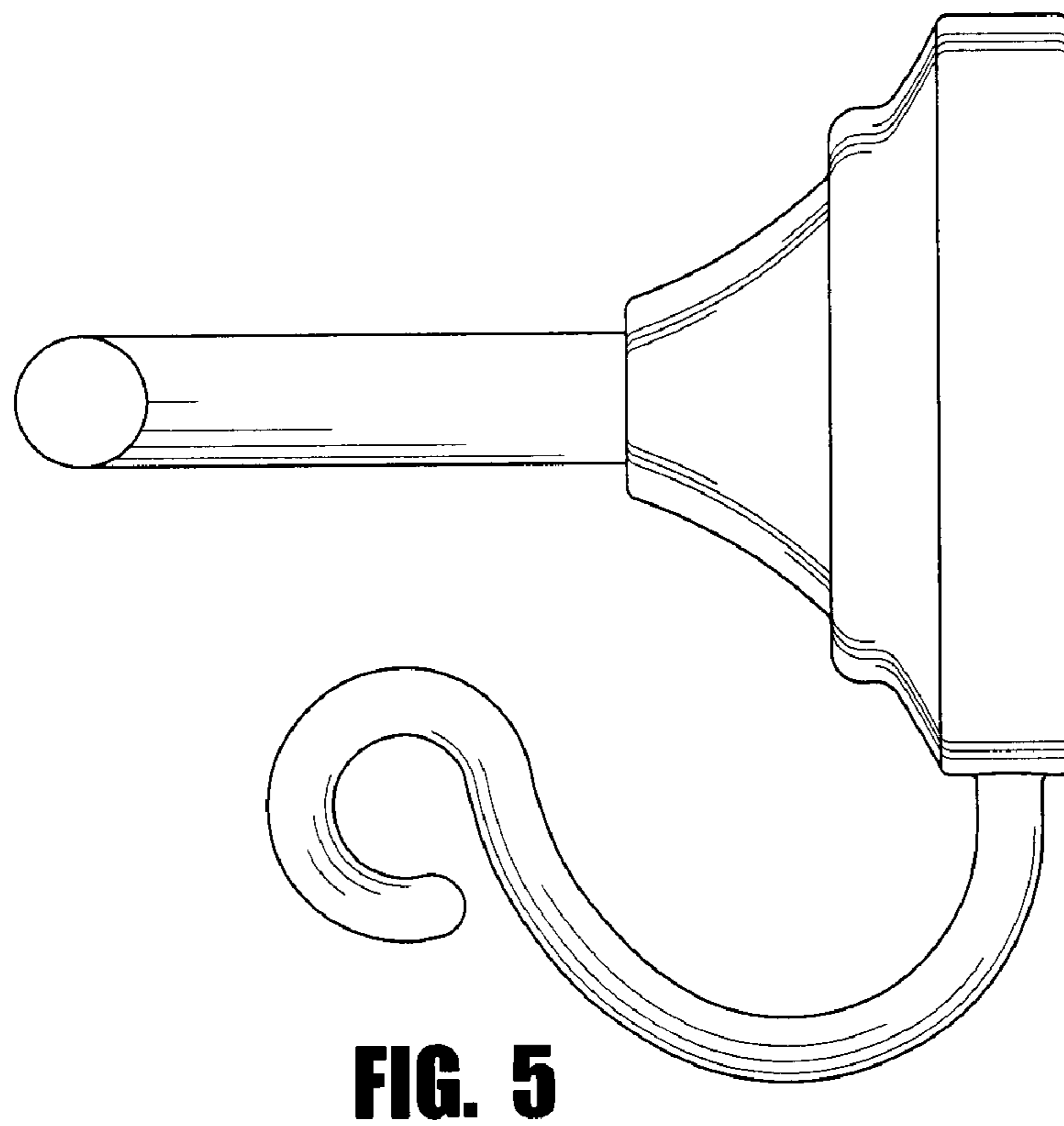
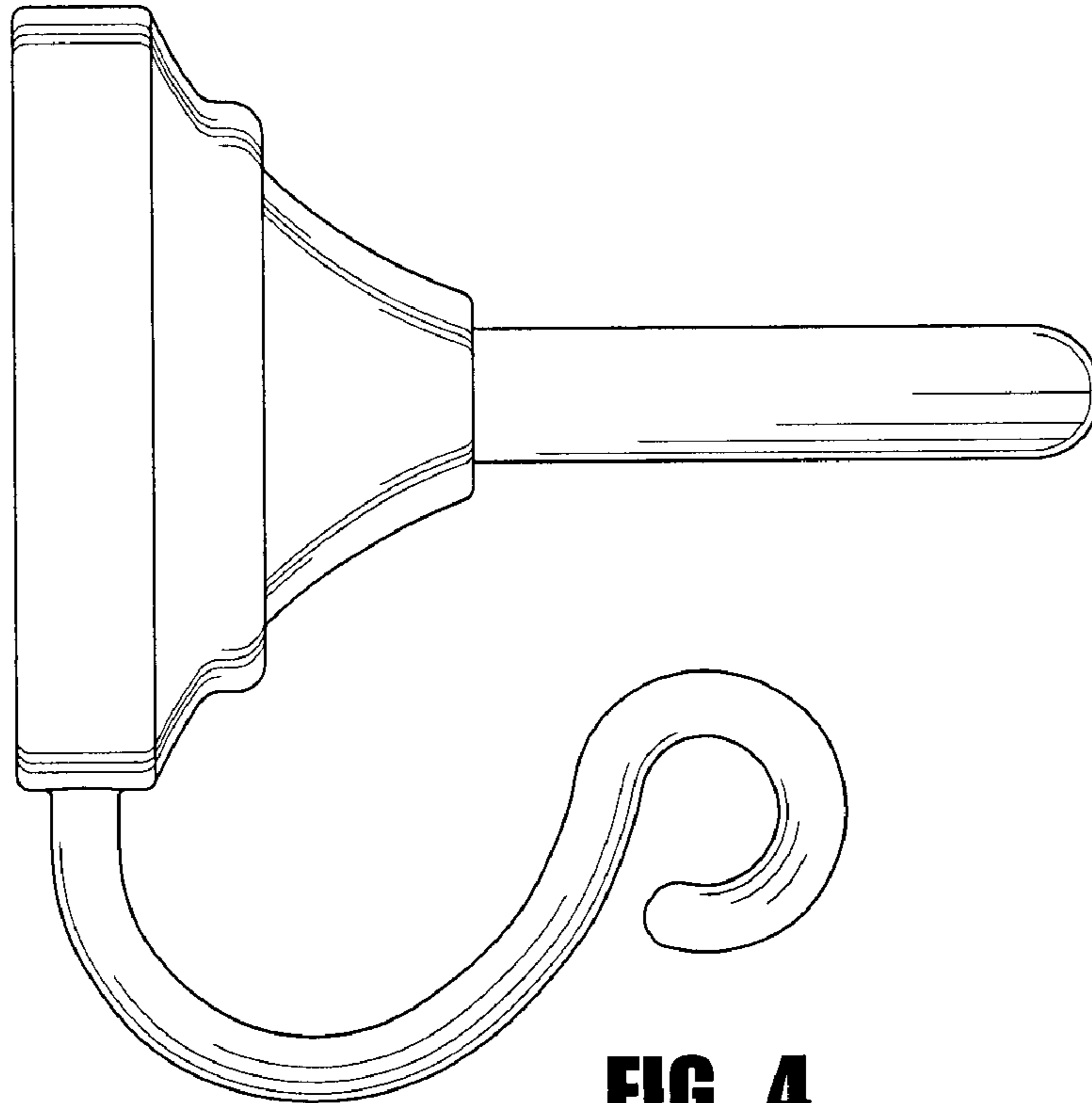
**FIG. 1**

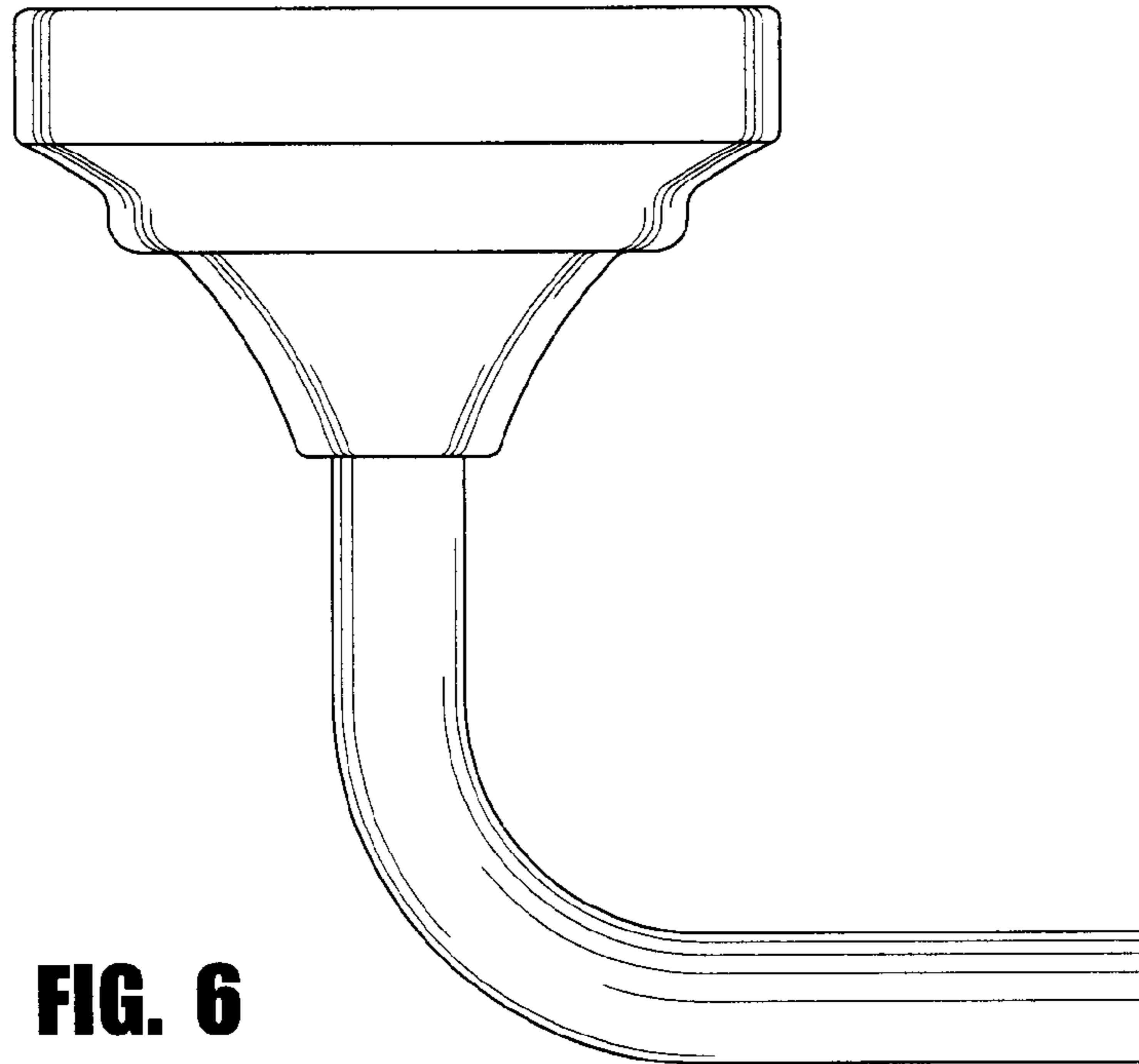


**FIG. 2**

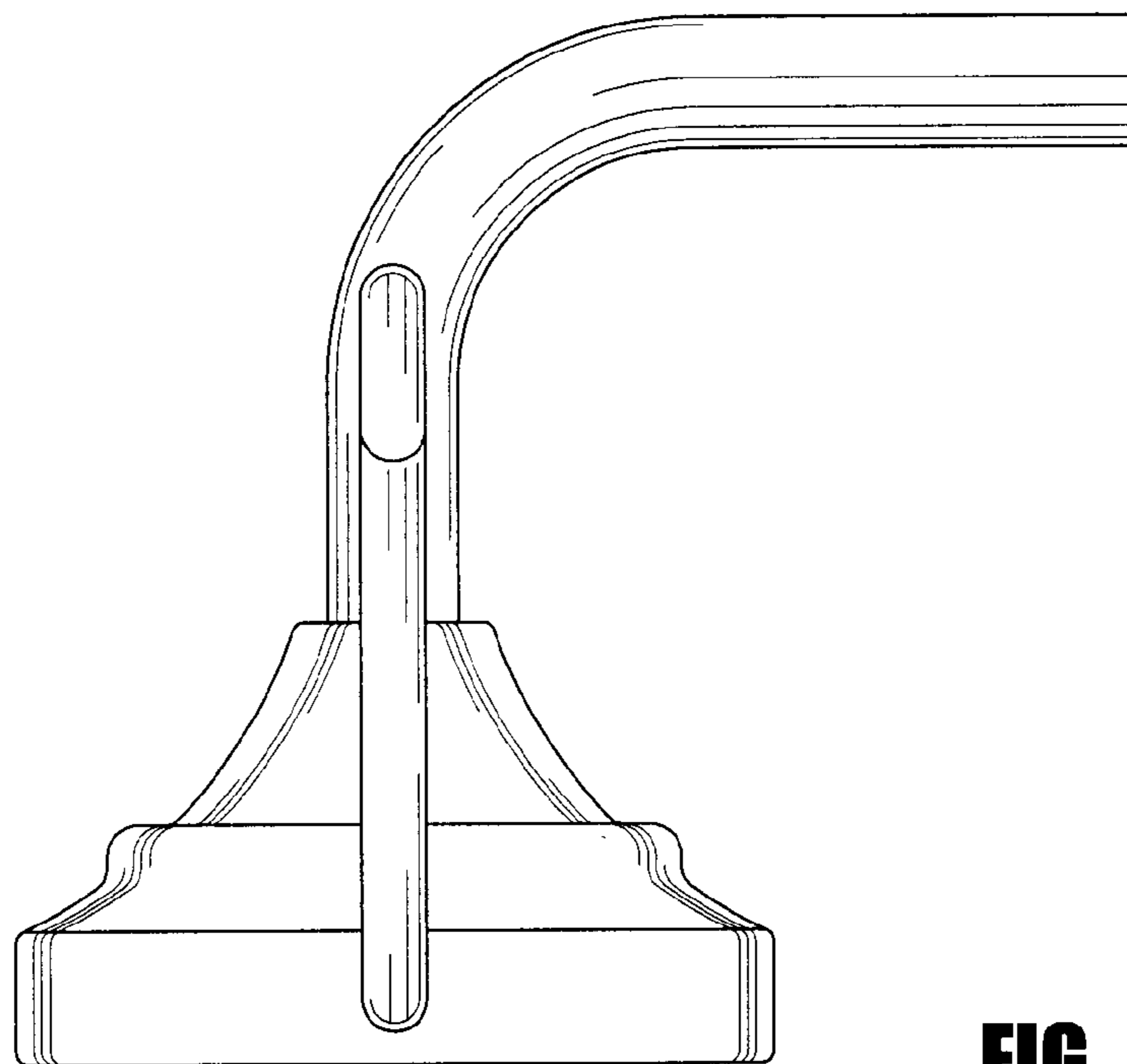


**FIG. 3**





**FIG. 6**



**FIG. 7**