



US00D530956S

(12) **United States Design Patent**
Gilbert

(10) **Patent No.:** **US D530,956 S**

(45) **Date of Patent:** **** Oct. 31, 2006**

(54) **POST**

(75) **Inventor:** **Christopher Jon Gilbert**, Moreland Hills, OH (US)

(73) **Assignee:** **Moen Incorporated**, North Olmsted, OH (US)

(**) **Term:** **14 Years**

(21) **Appl. No.:** **29/234,594**

(22) **Filed:** **Jul. 20, 2005**

(51) **LOC (8) Cl.** **23-02**

(52) **U.S. Cl.** **D6/550**

(58) **Field of Classification Search** D6/546-550,
D6/518-523; D8/300, 303, 315-321, 349,
D8/354, 363, 373, 380; 108/28-29; 211/13.1,
211/16, 60.1, 100, 86.01, 87.01, 88.01, 88.04,
211/105.1-105.2, 123, 182, 181.1; 248/175,
248/176.1, 251, 302, 309.1; 16/110.1, 412,
16/415; 242/570, 590, 595-598

See application file for complete search history.

(56) **References Cited**

U.S. PATENT DOCUMENTS

D53,683 S	8/1919	Jordan	
D454,745 S	* 3/2002	Wright	D6/550
D455,196 S	4/2002	Caplow	
D456,063 S	4/2002	McKeone	
D463,935 S	* 10/2002	Zhao	D6/549
D465,370 S	* 11/2002	Ouyoung	D6/550

D473,412 S	*	4/2003	Chou	D6/550
D473,742 S	*	4/2003	Gilbert	D6/549
D473,932 S		4/2003	Caplow	
D477,946 S		8/2003	Ouano	
D478,755 S		8/2003	Moore	
D482,917 S		12/2003	Chen	
D493,645 S		8/2004	Ayers et al.	
D493,990 S		8/2004	Ayers et al.	
D498,101 S		11/2004	Wu	
D498,380 S		11/2004	Wu	
D501,748 S		2/2005	Wu	

* cited by examiner

Primary Examiner—Brian N Vinson

(74) *Attorney, Agent, or Firm*—Calfee, Halter & Griswold LLP

(57) **CLAIM**

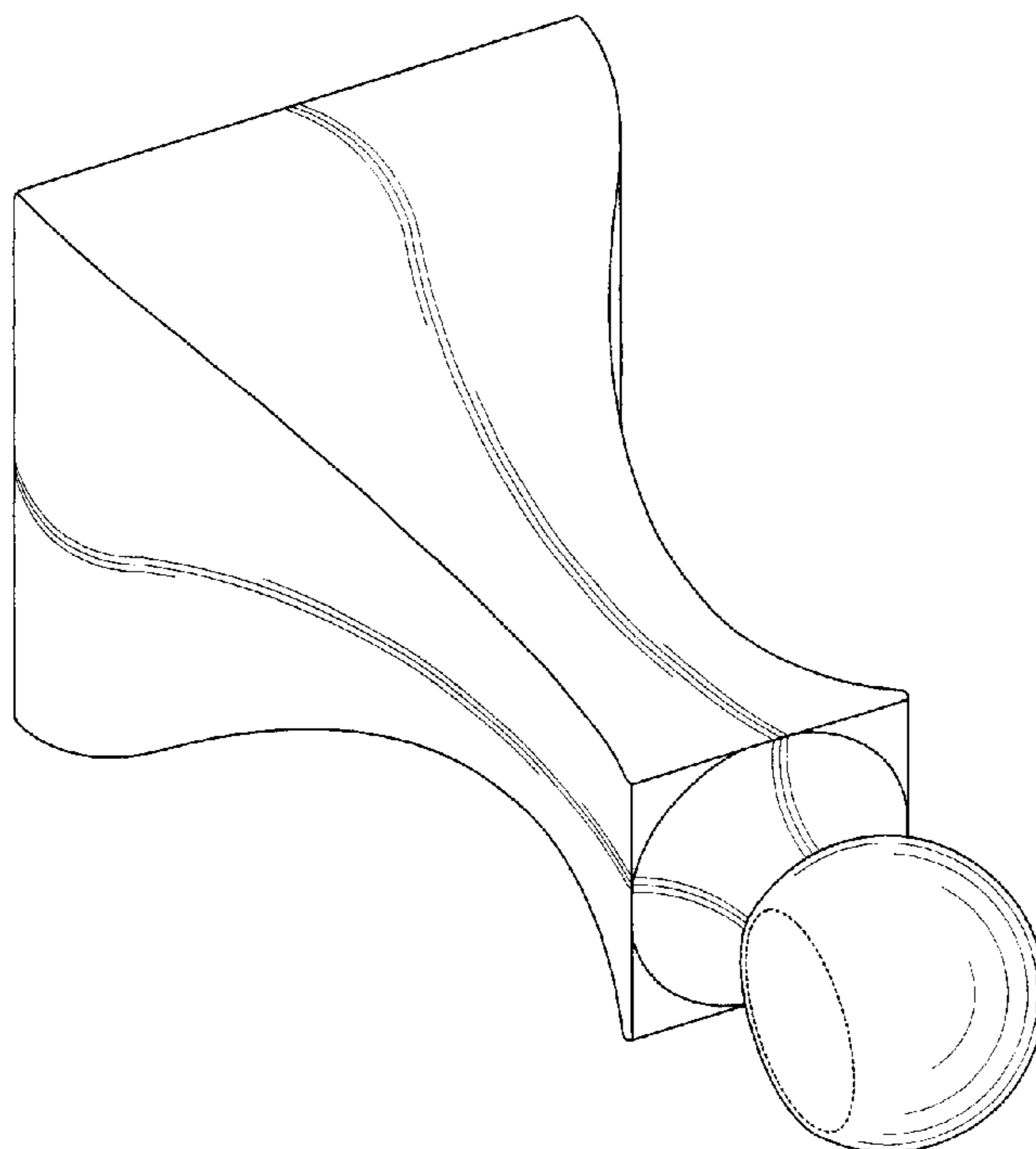
The ornamental design for a post, as shown and described.

DESCRIPTION

FIG. 1 is a perspective view of a post of the new design; FIG. 2 is a front elevational view of the post of FIG. 1; FIG. 3 is a rear elevational view of the post of FIG. 1; FIG. 4 is a left side elevational view of the post of FIG. 1; FIG. 5 is a right side elevational view of the post of FIG. 1; FIG. 6 is a top plan view of the post of FIG. 1; and, FIG. 7 is a bottom plan view of the post of FIG. 1.

The portions of the Figures shown in broken lines are not part of the claimed design but are for illustration only.

1 Claim, 3 Drawing Sheets



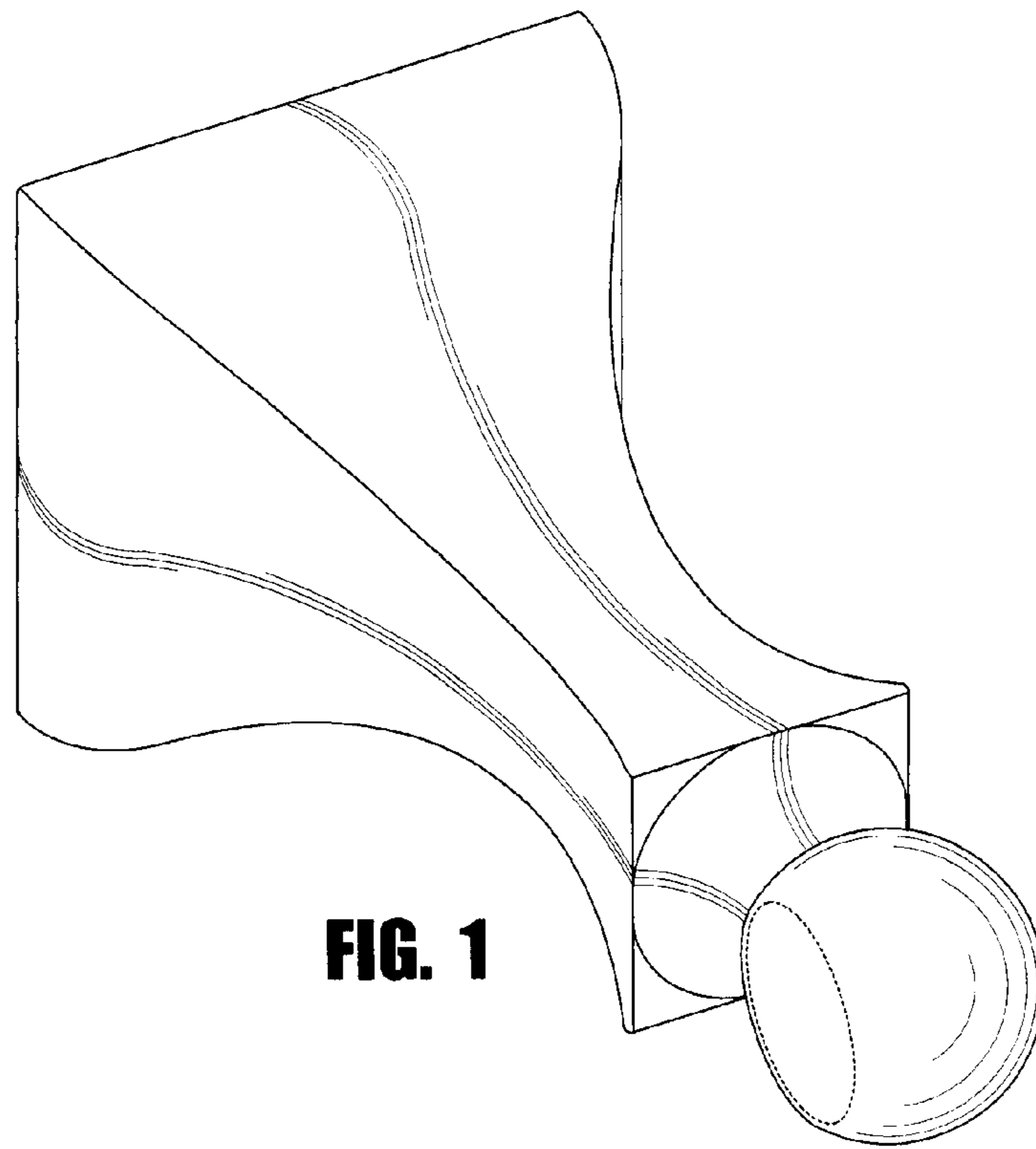


FIG. 1

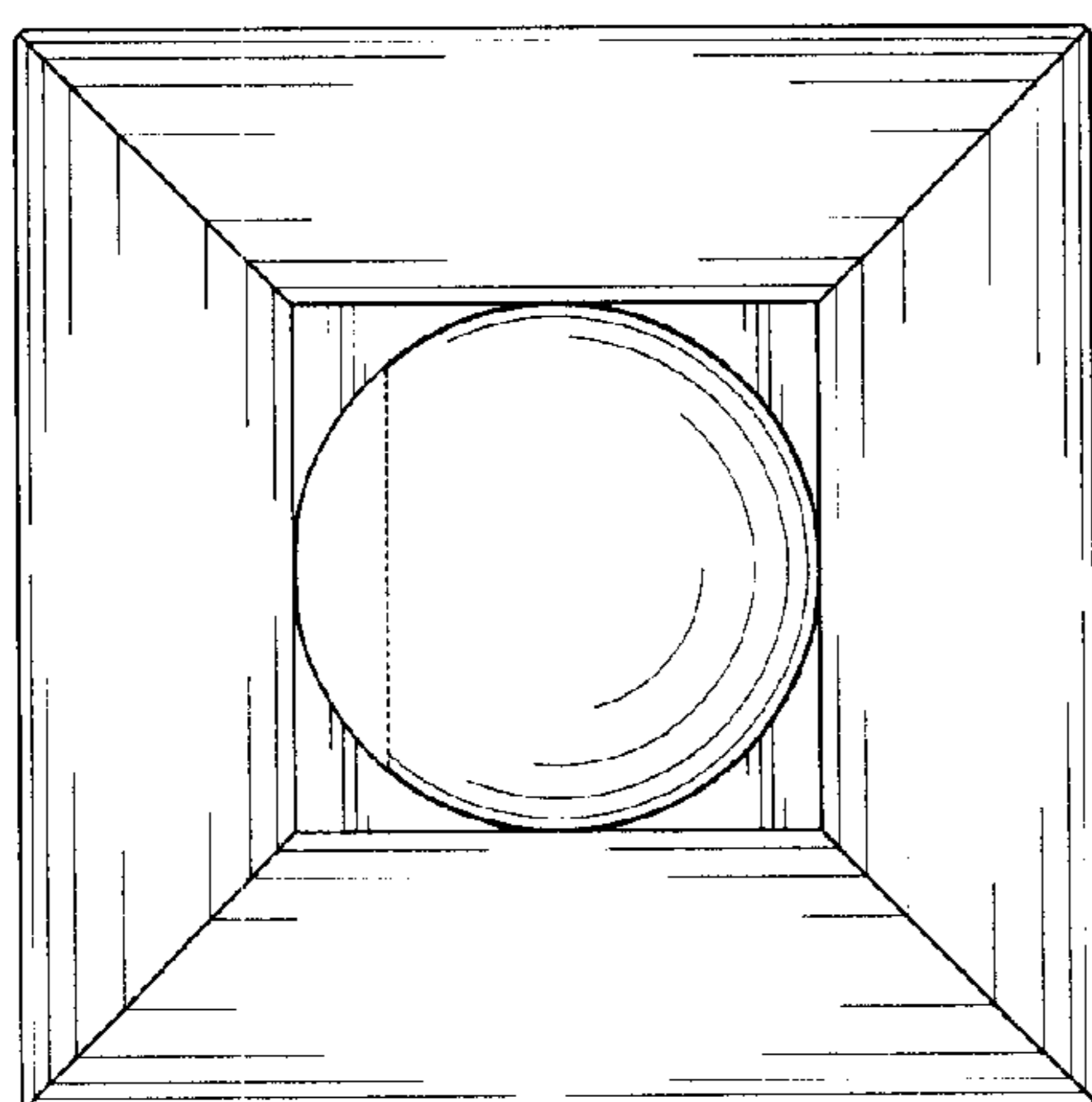


FIG. 2

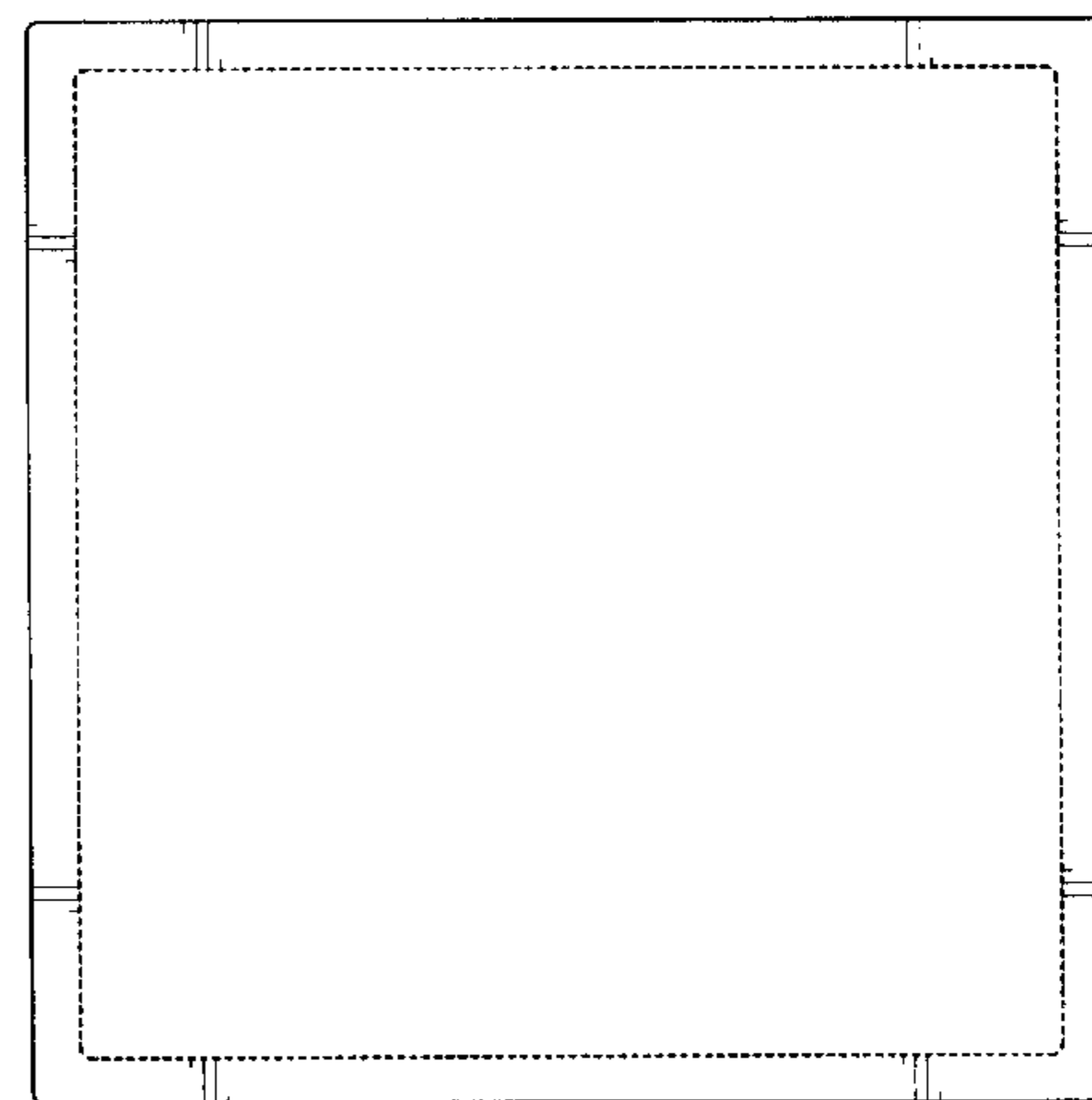


FIG. 3

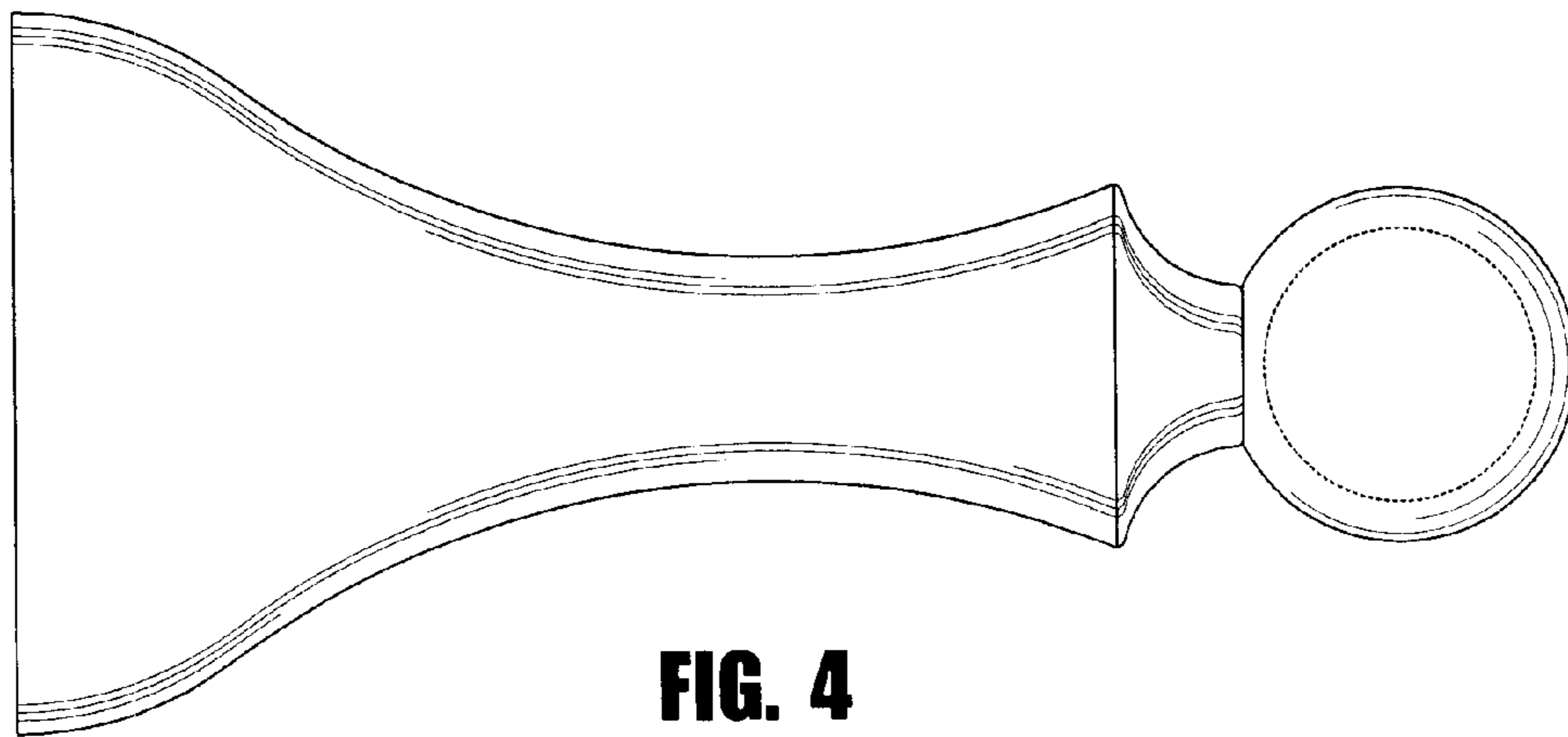


FIG. 4

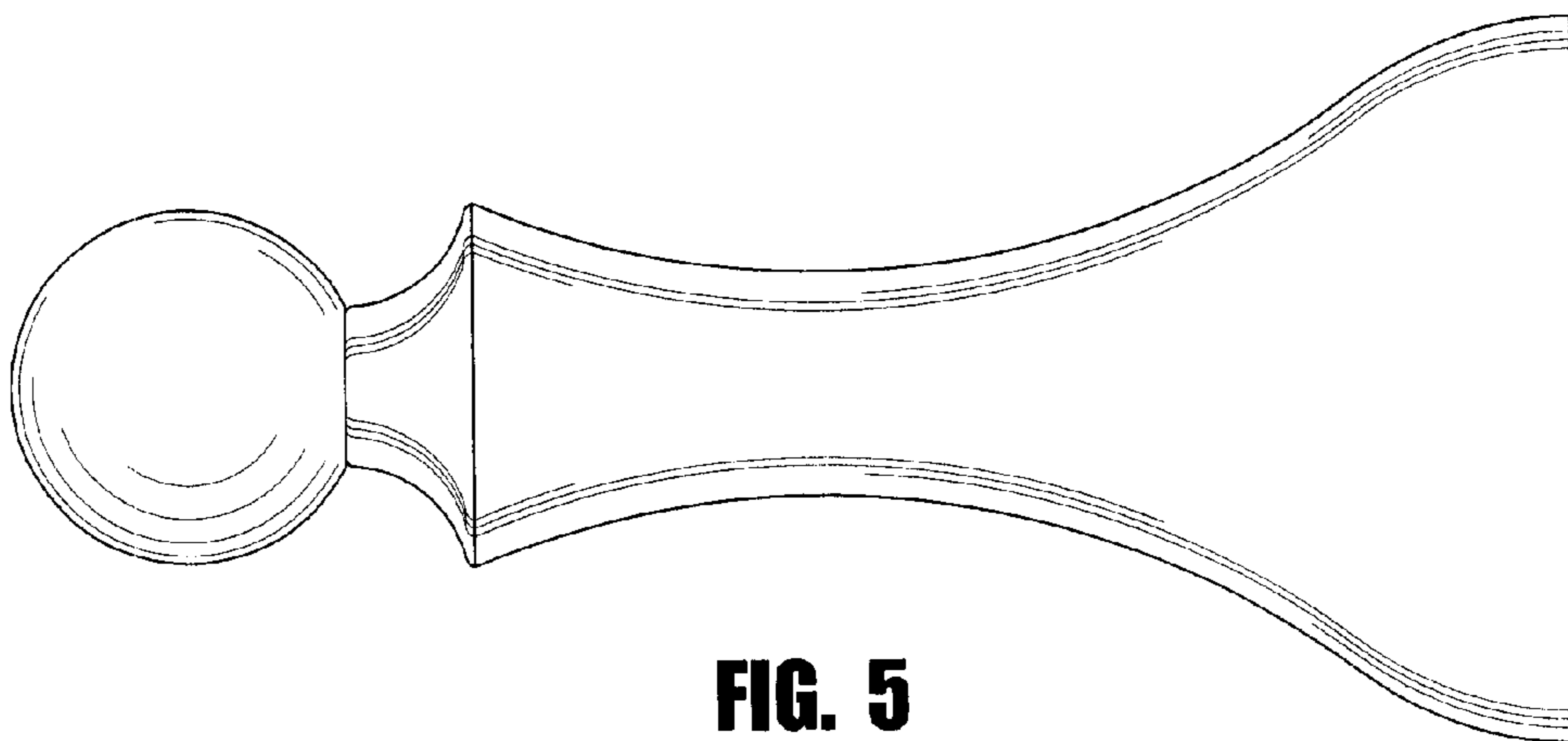


FIG. 5

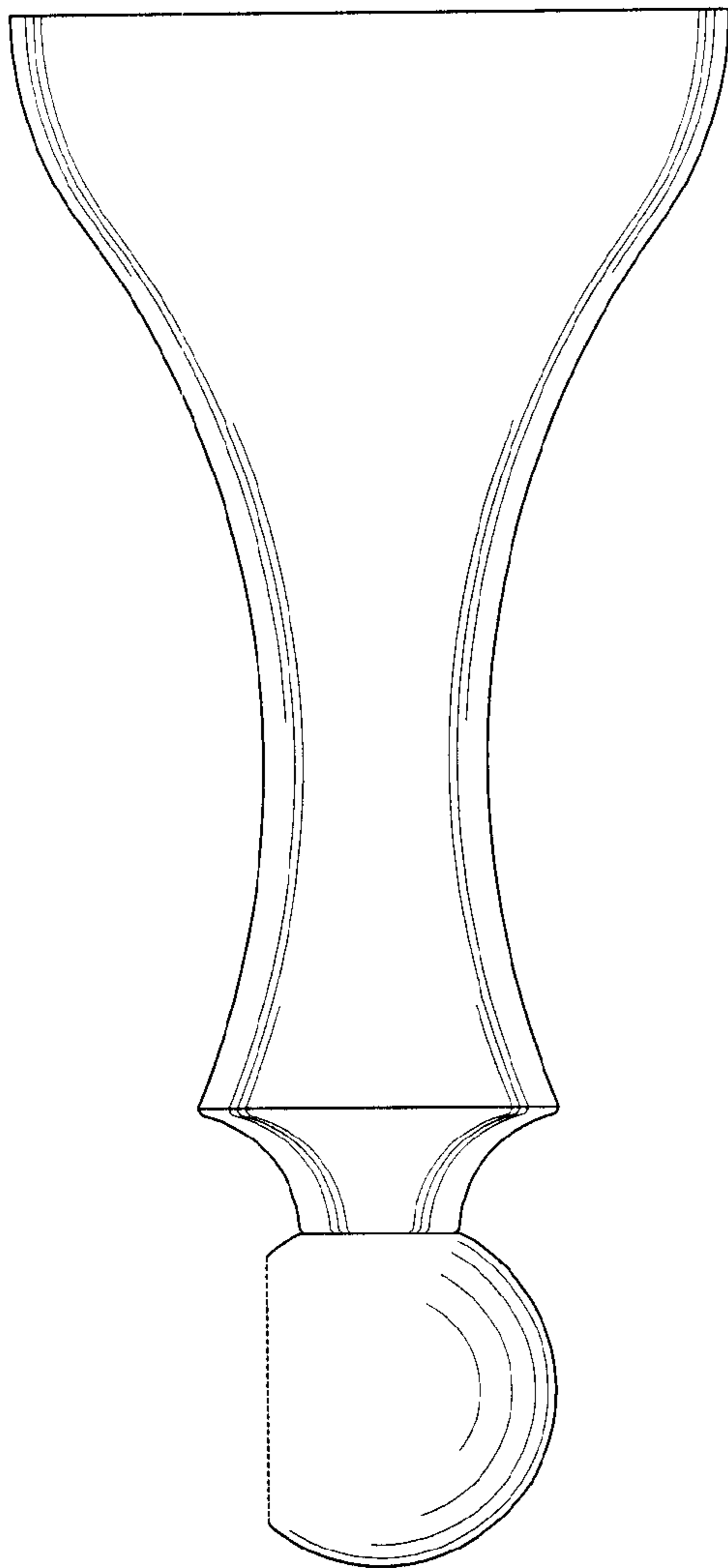


FIG. 6

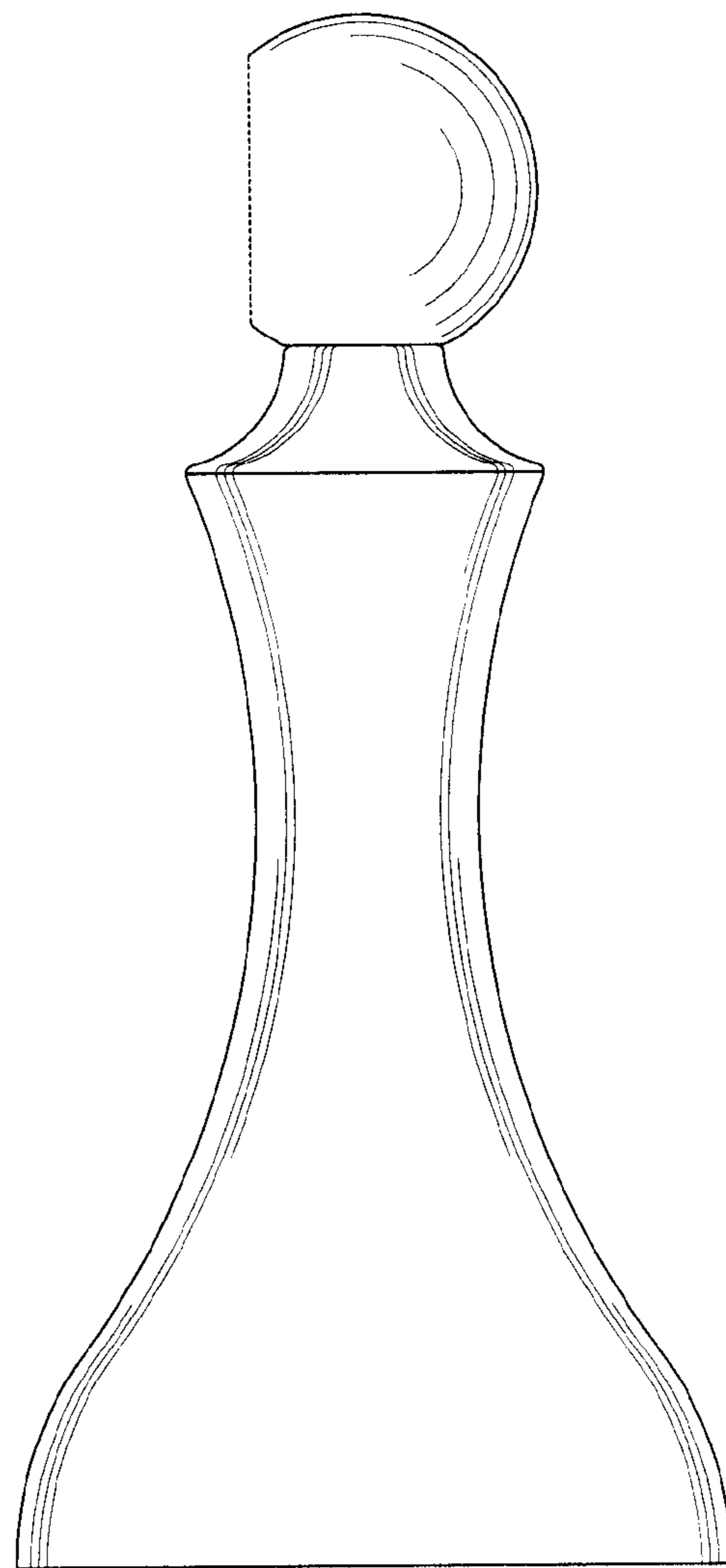


FIG. 7