



US00D530954S

(12) **United States Design Patent**  
**Snell**

(10) **Patent No.:** **US D530,954 S**  
(45) **Date of Patent:** **\*\* Oct. 31, 2006**

(54) **SOAP DISPENSER**

(75) Inventor: **Russell Benton Snell**, Bentleyville, OH (US)

(73) Assignee: **InterDesign, Inc.**, Solon, OH (US)

(\*\*) Term: **14 Years**

(21) Appl. No.: **29/254,358**

(22) Filed: **Feb. 22, 2006**

(51) **LOC (8) Cl.** ..... **23-02**

(52) **U.S. Cl.** ..... **D6/542**

(58) **Field of Classification Search** ..... D6/542-545;  
221/282; 222/14, 173, 146.3, 628, 251, 181.1,  
222/181.3; D9/682, 688, 690, 691, 448, 449  
See application file for complete search history.

(56) **References Cited**

**U.S. PATENT DOCUMENTS**

D106,053 S	*	9/1937	Maguire	.....	D6/542
D332,739 S	*	1/1993	Petschek	.....	D9/688
D375,643 S	*	11/1996	Copeland et al.	.....	D6/542
D396,590 S	*	8/1998	Warshawsky	.....	D6/542
D416,154 S	*	11/1999	Diehl	.....	D6/542
D426,093 S	*	6/2000	Cayouette	.....	D6/542
D438,041 S	*	2/2001	Huang	.....	D6/542
D486,335 S	*	2/2004	Sonneman	.....	D6/542

**OTHER PUBLICATIONS**

2004 InterDesign, Inc. product brochure, p. 4, 18, 20, 21, 28, 30 w/front & back cover.

\* cited by examiner

*Primary Examiner*—Brian N Vinson

(74) *Attorney, Agent, or Firm*—D. Peter Hochberg; Sean Mellino

(57) **CLAIM**

The ornamental design for a soap dispenser, as shown and described.

**DESCRIPTION**

FIG. 1 is a perspective view of the soap dispenser according to the invention;

FIG. 2 is a top view of the soap dispenser as shown in FIG. 1;

FIG. 3 is a side view of the soap dispenser as shown in FIG. 1;

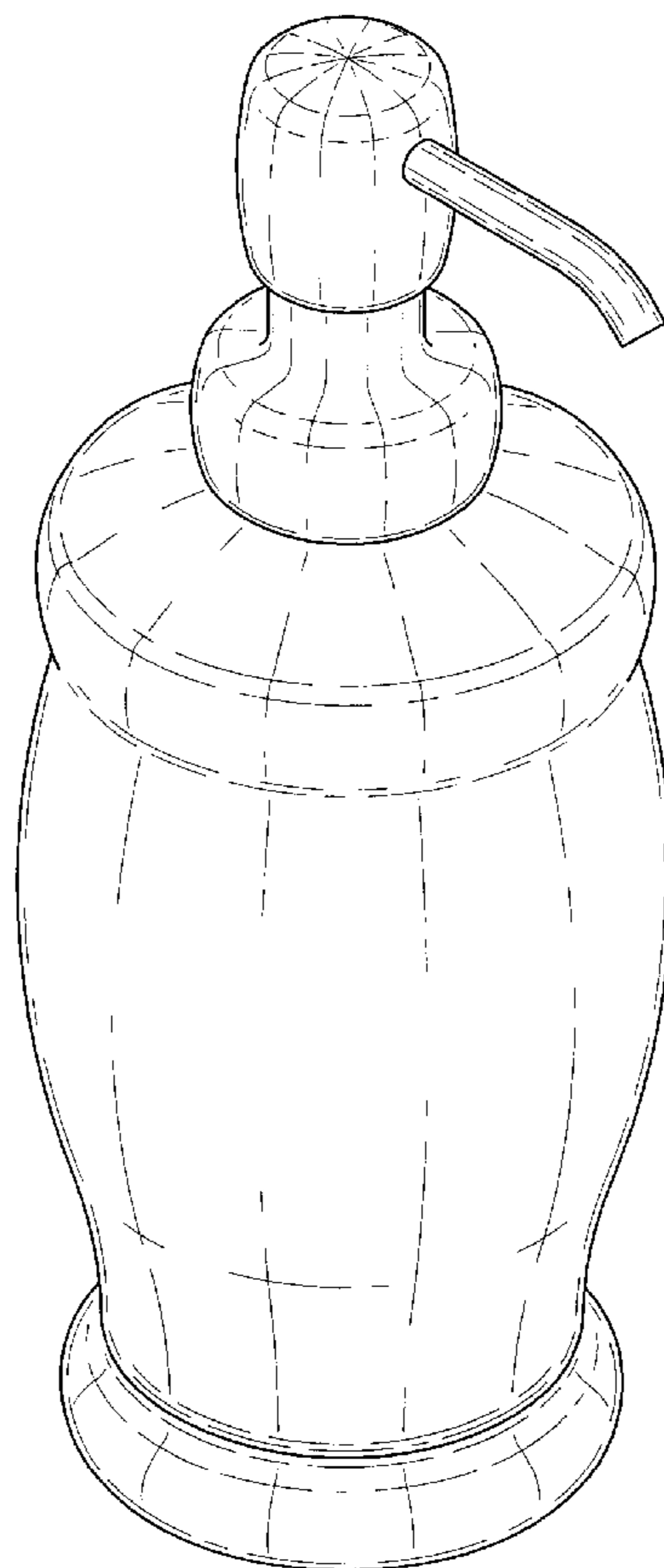
FIG. 4 is a front view of the soap dispenser as shown in FIG. 1;

FIG. 5 is a side view of the soap dispenser as shown in FIG. 1, viewed from the opposite side of that shown in FIG. 3;

FIG. 6 is a rear view of the soap dispenser as shown in FIG. 1; and,

FIG. 7 is a bottom view of the soap dispenser as shown in FIG. 1.

**1 Claim, 3 Drawing Sheets**



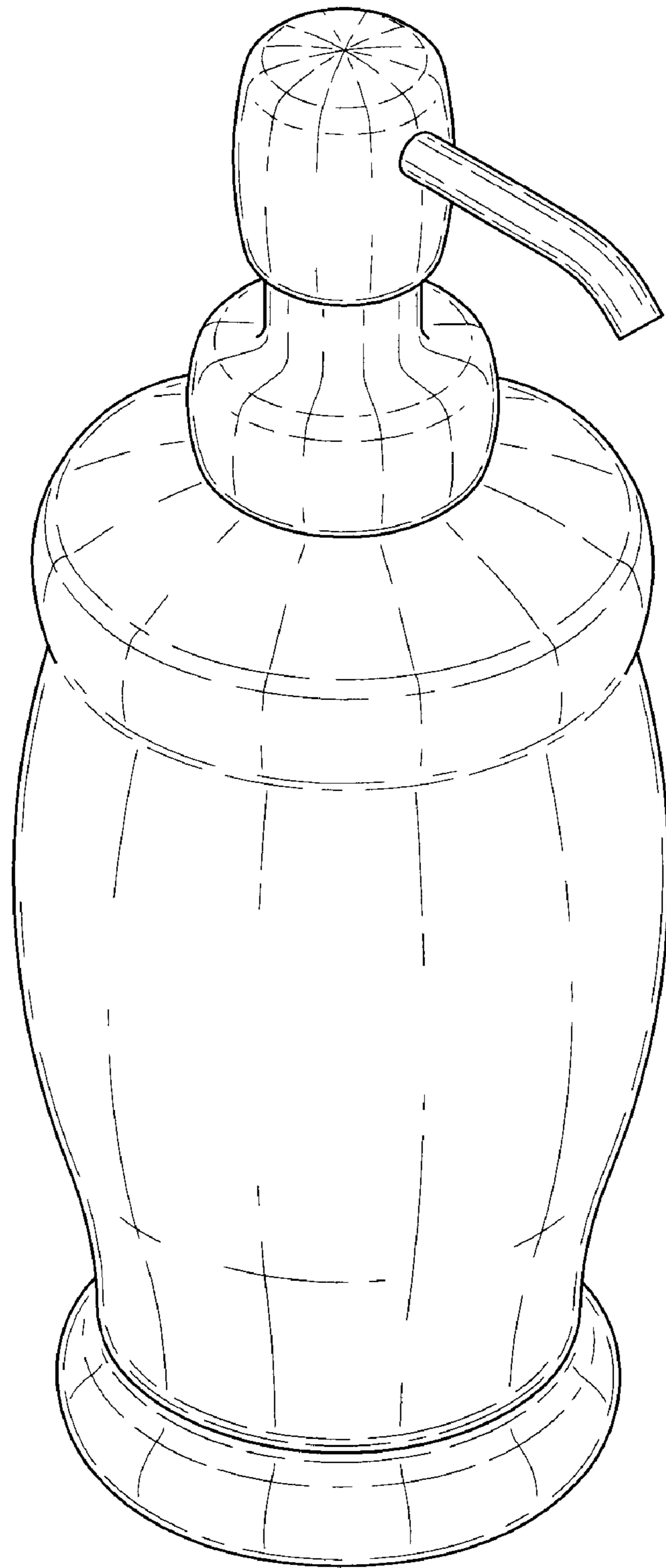


FIG-1

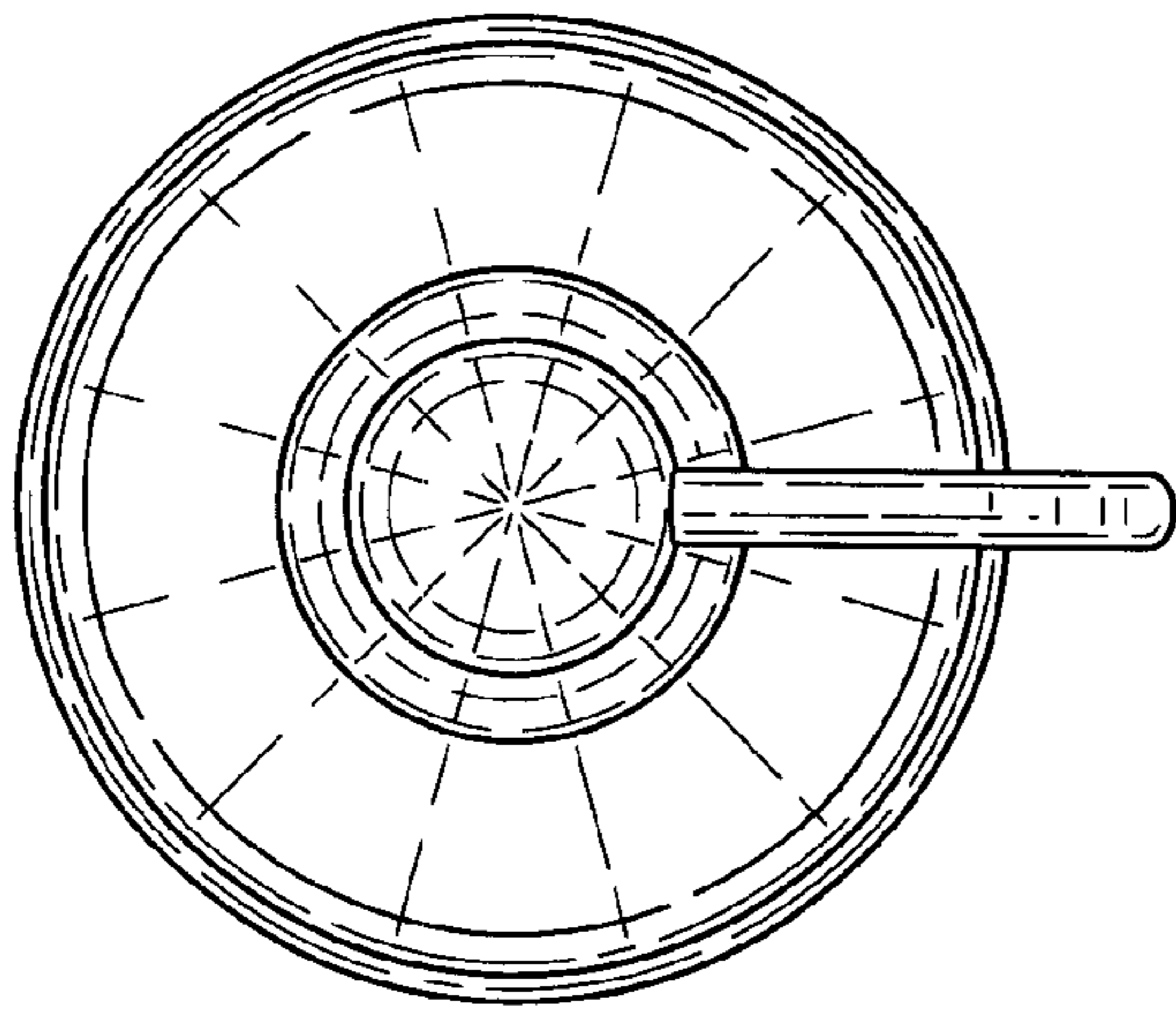


FIG-2

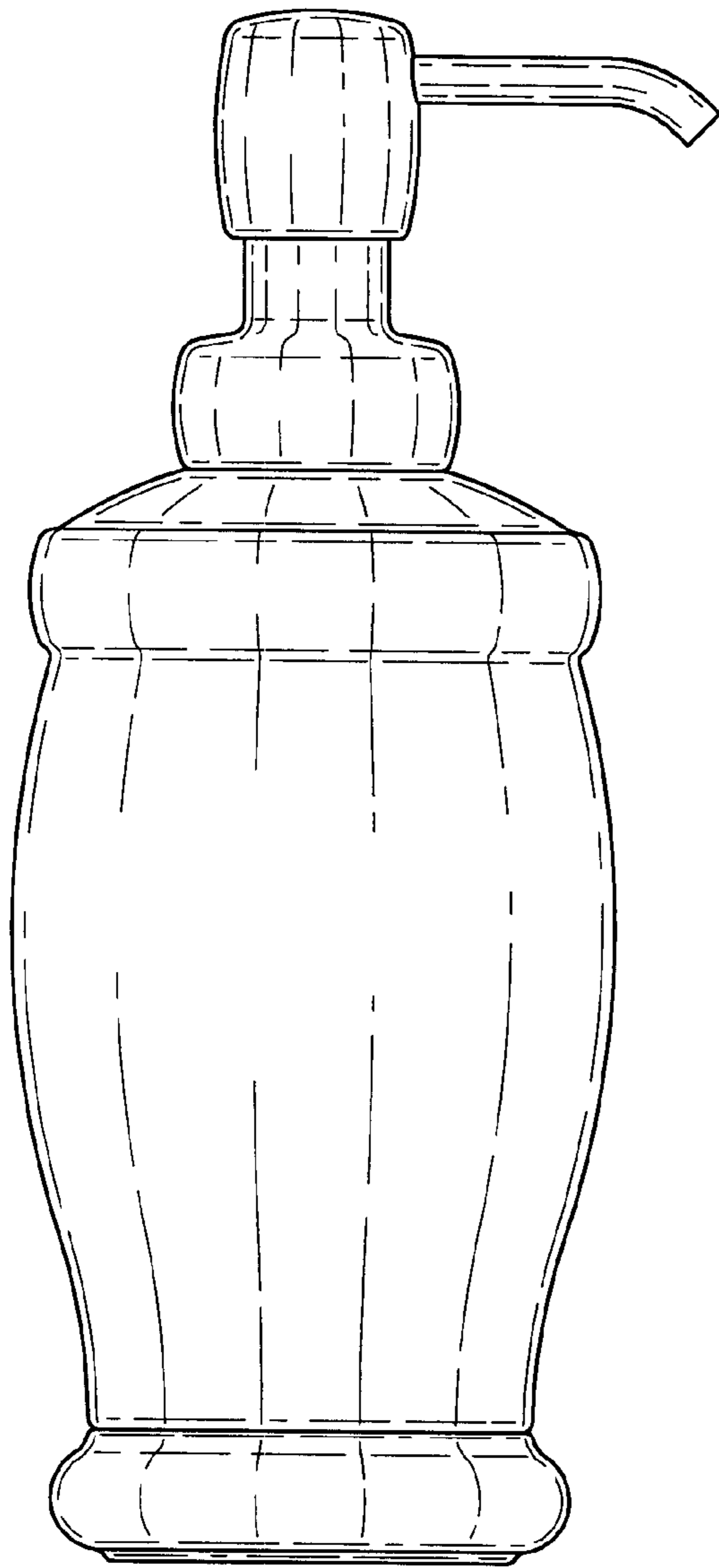


FIG-3

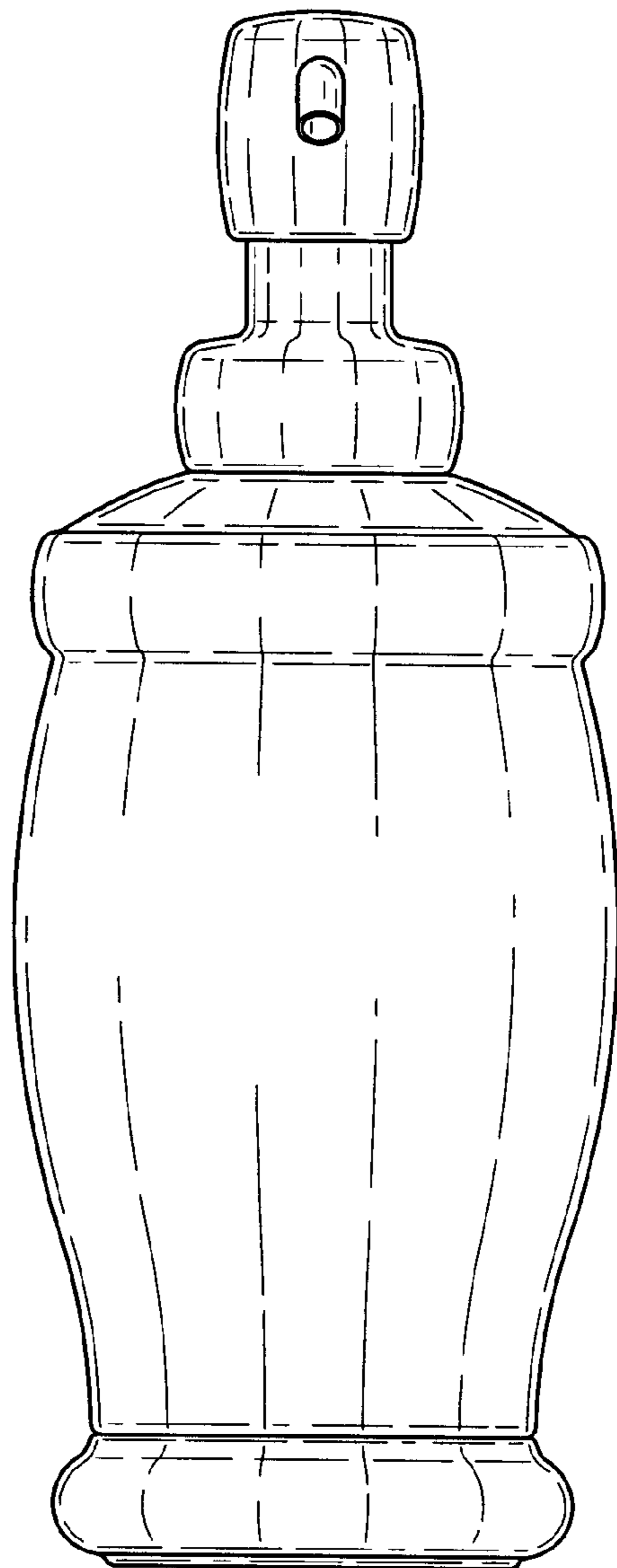


FIG-4

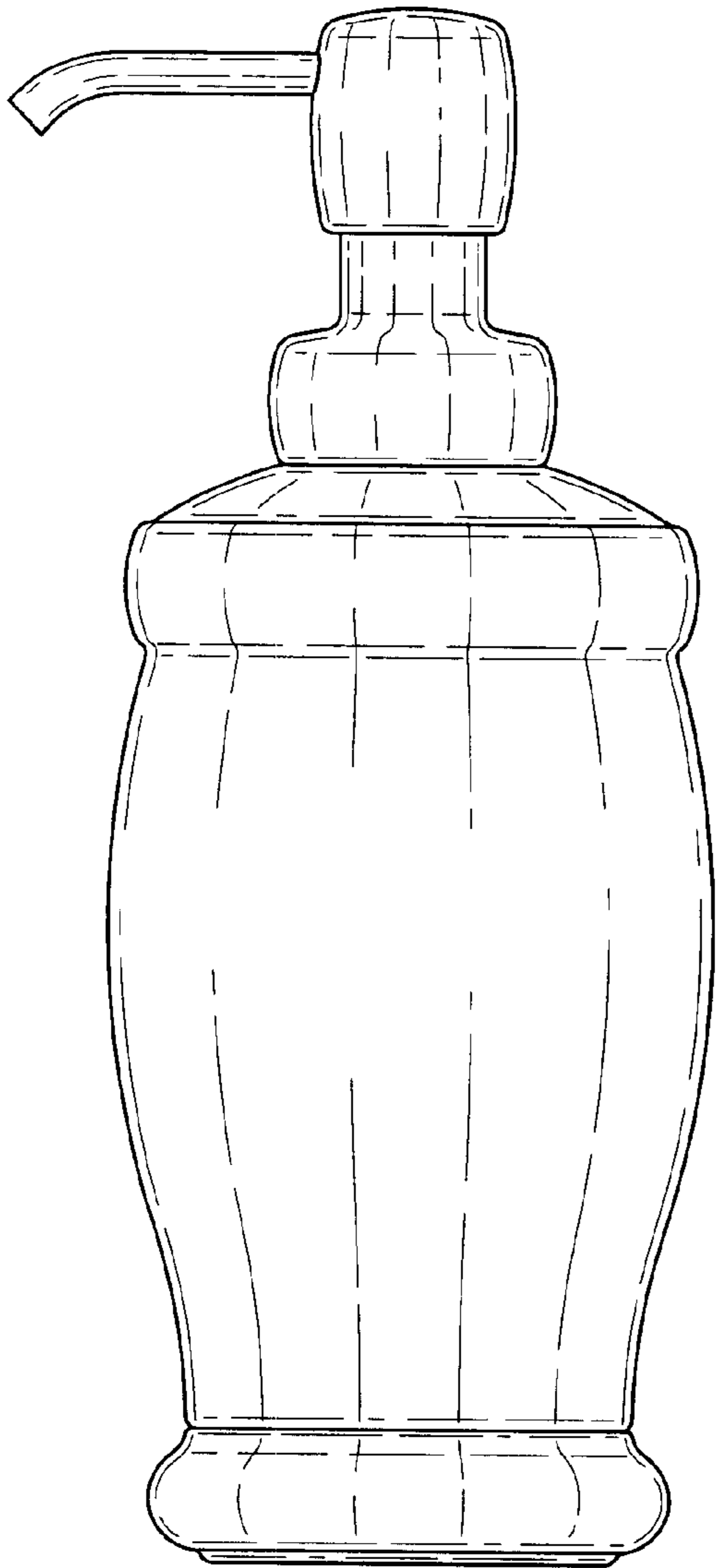


FIG-5

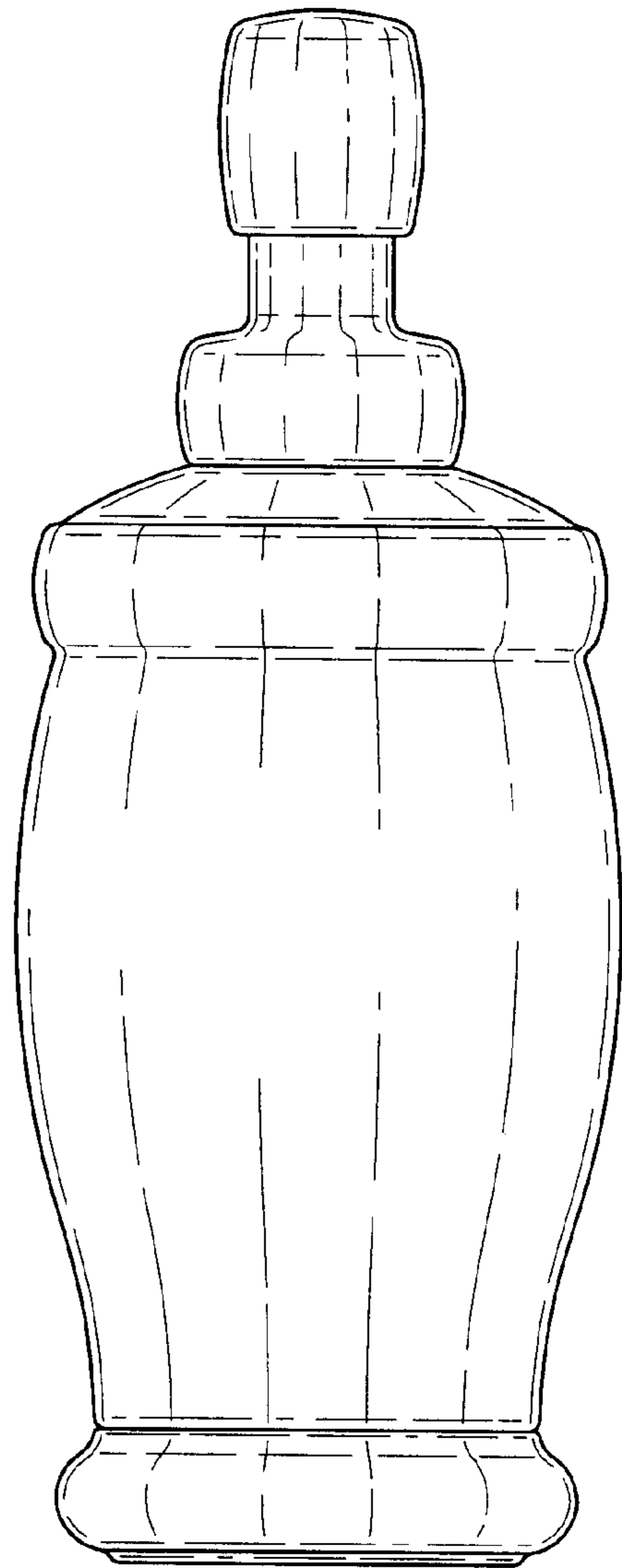


FIG-6

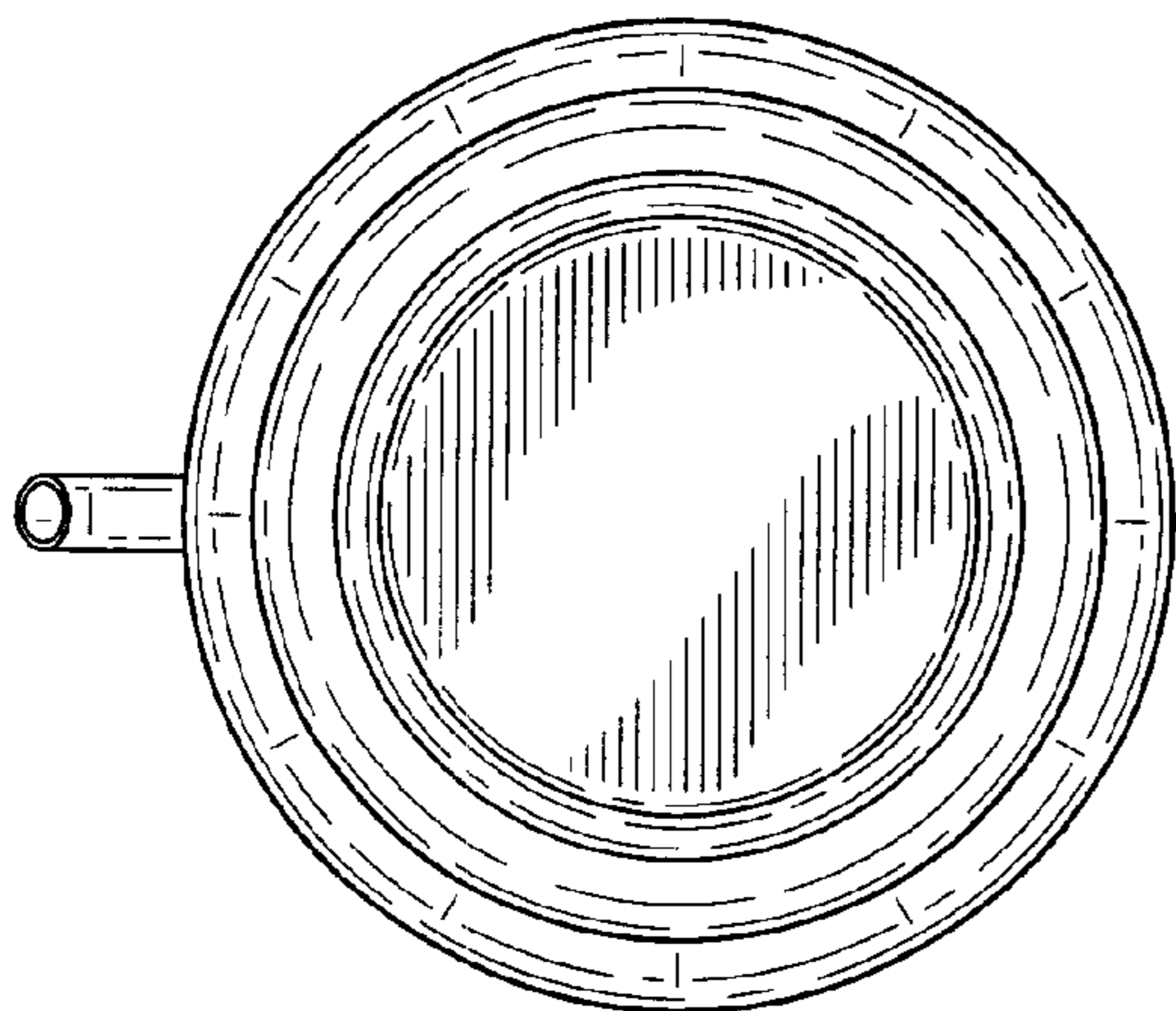


FIG-7