



US00D530951S

(12) **United States Design Patent**  
**Greenspon**

(10) **Patent No.:** **US D530,951 S**

(45) **Date of Patent:** **\*\* Oct. 31, 2006**

(54) **DISASSEMBLE PUMP HEAD FOR LIQUID SOAP**

(75) Inventor: **Lawrence Greenspon**, Chicago, IL (US)

(73) Assignee: **LDR Industries, Inc.**, Chicago, IL (US)

(\*\*) Term: **14 Years**

(21) Appl. No.: **29/209,872**

(22) Filed: **Jul. 23, 2004**

(51) **LOC (8) Cl.** ..... **23-02**

(52) **U.S. Cl.** ..... **D6/542**

(58) **Field of Classification Search** ..... D6/542-545;  
221/282; 222/14, 173, 146.3, 628, 251, 181.1,  
222/181.3; D9/682, 688, 690, 691, 448, 449  
See application file for complete search history.

(56) **References Cited**

U.S. PATENT DOCUMENTS

- D349,649 S \* 8/1994 Hanna ..... D9/448
- D438,041 S \* 2/2001 Huang ..... D6/542
- D451,735 S \* 12/2001 Hanna ..... D6/542
- D466,588 S \* 12/2002 Lord ..... D6/542

- D479,779 S \* 9/2003 Zhao ..... D6/542
- D488,716 S \* 4/2004 Dretzka ..... D9/448
- D489,617 S \* 5/2004 Snell ..... D9/448
- D495,032 S \* 8/2004 Dretzka ..... D23/238
- D519,372 S \* 4/2006 Hsieh ..... D9/448

\* cited by examiner

*Primary Examiner*—Brian N Vinson

(74) *Attorney, Agent, or Firm*—Troxell Law Office, PLLC

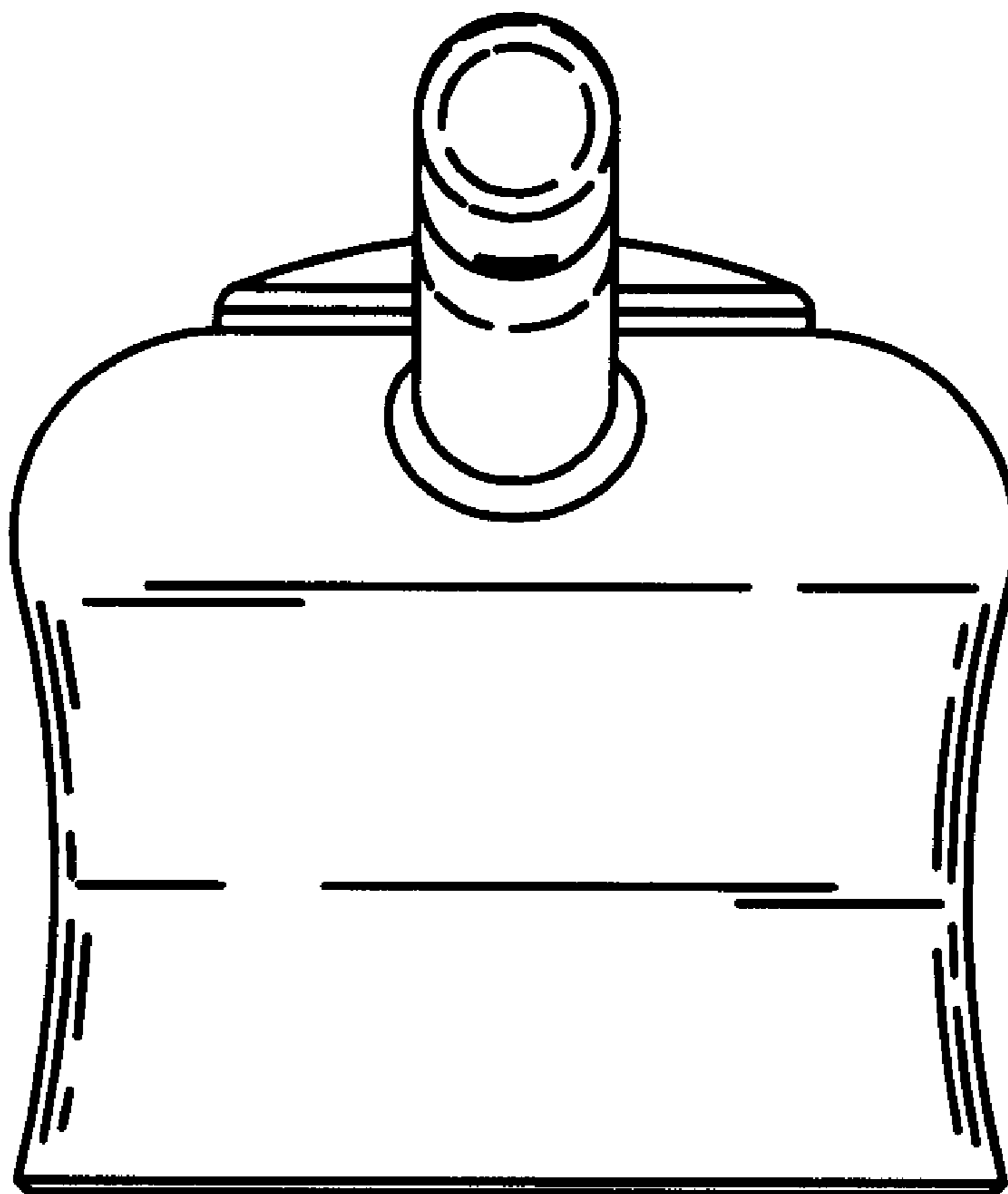
(57) **CLAIM**

The ornamental design for a disassemble pump head for liquid soap, as shown and described.

**DESCRIPTION**

FIG. 1 is a front elevation view thereof.  
 FIG. 2 is a rear elevation view thereof.  
 FIG. 3 is a left side view thereof.  
 FIG. 4 is a right side view thereof.  
 FIG. 5 is a top plan view thereof.  
 FIG. 6 is a bottom plan view thereof.  
 FIG. 7 is a perspective view of disassemble pump head for liquid soap showing my new design; and,  
 FIG. 8 shows one application of the present invention, where those indicated by dashed lines are not claimed in the present invention.

**1 Claim, 5 Drawing Sheets**



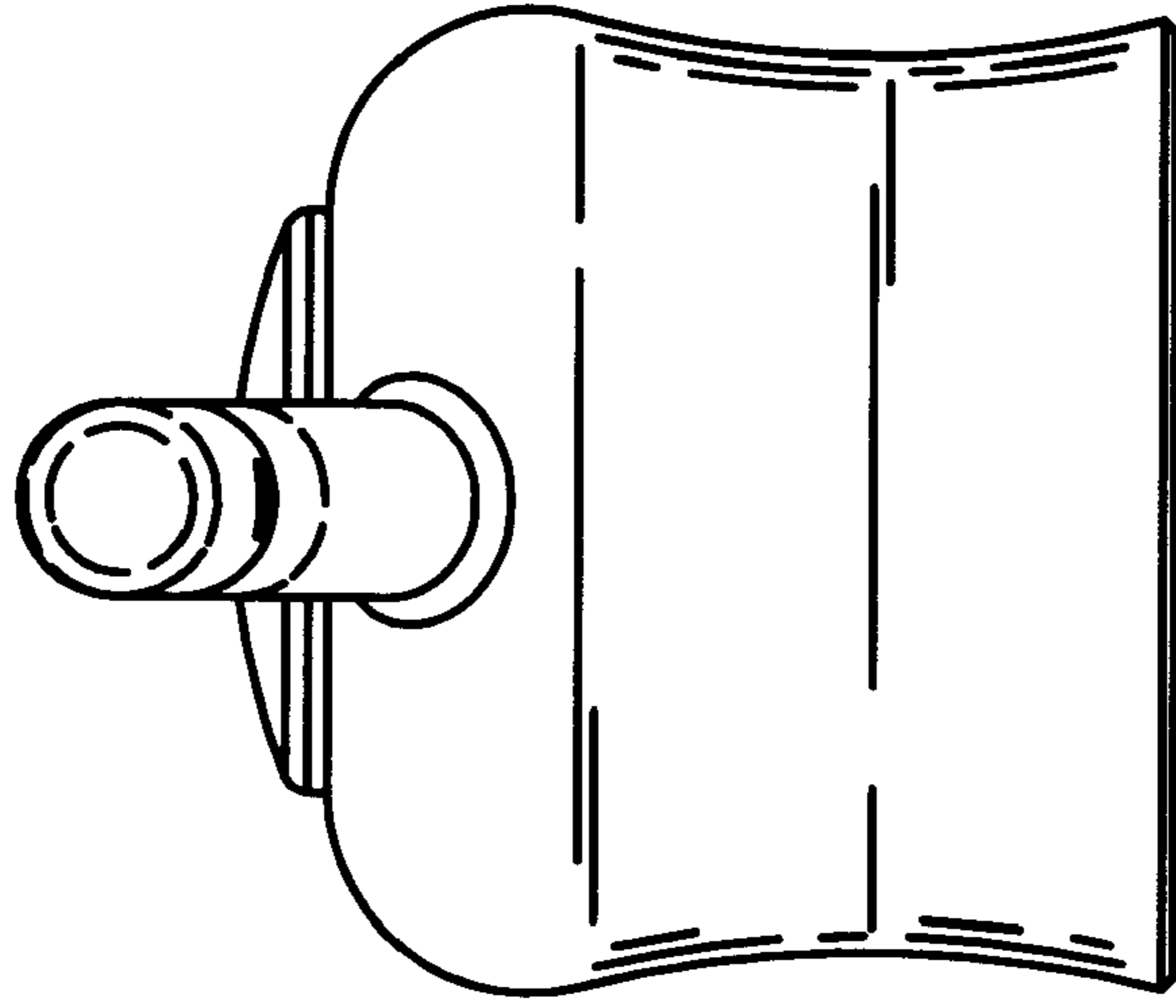


Fig. 1

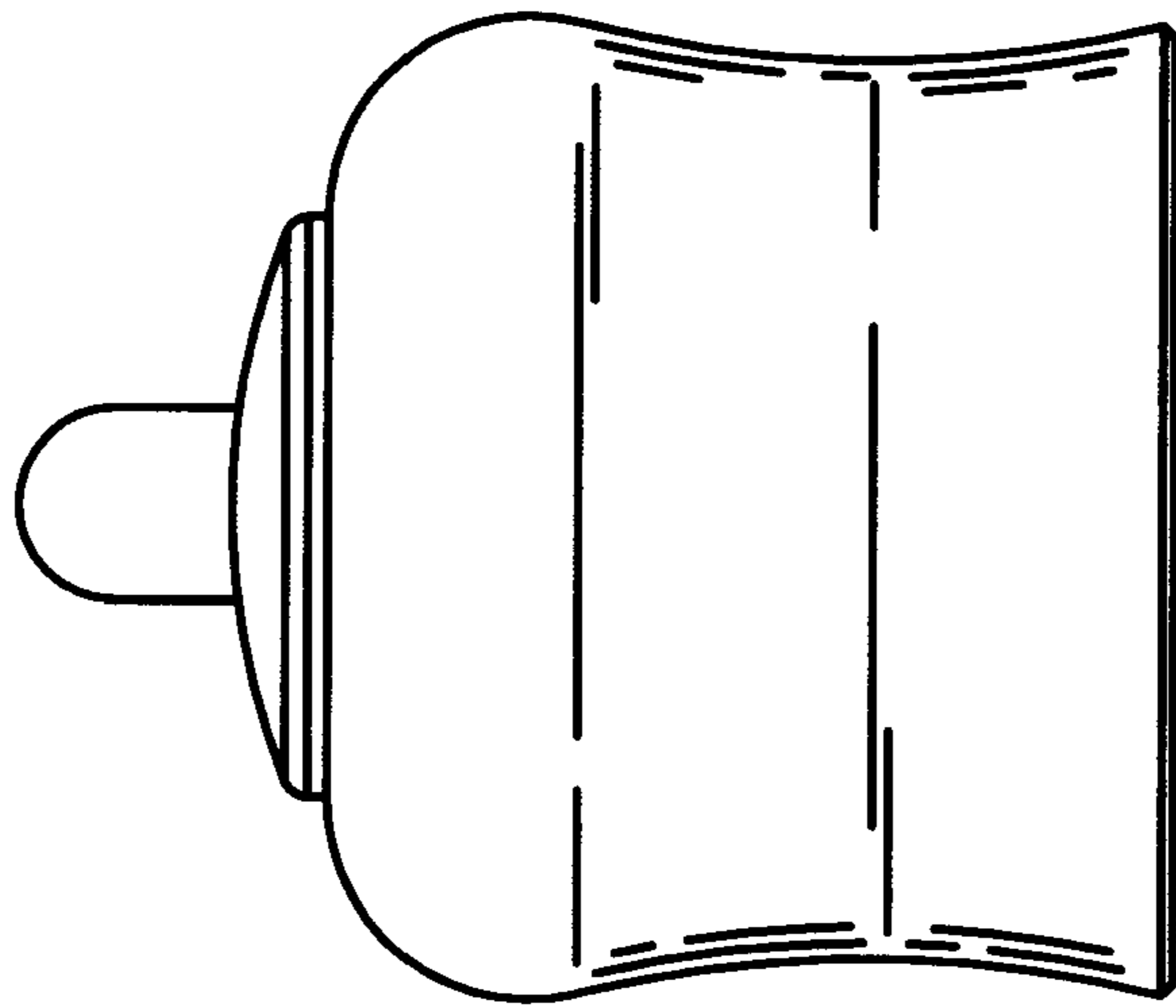


Fig. 2

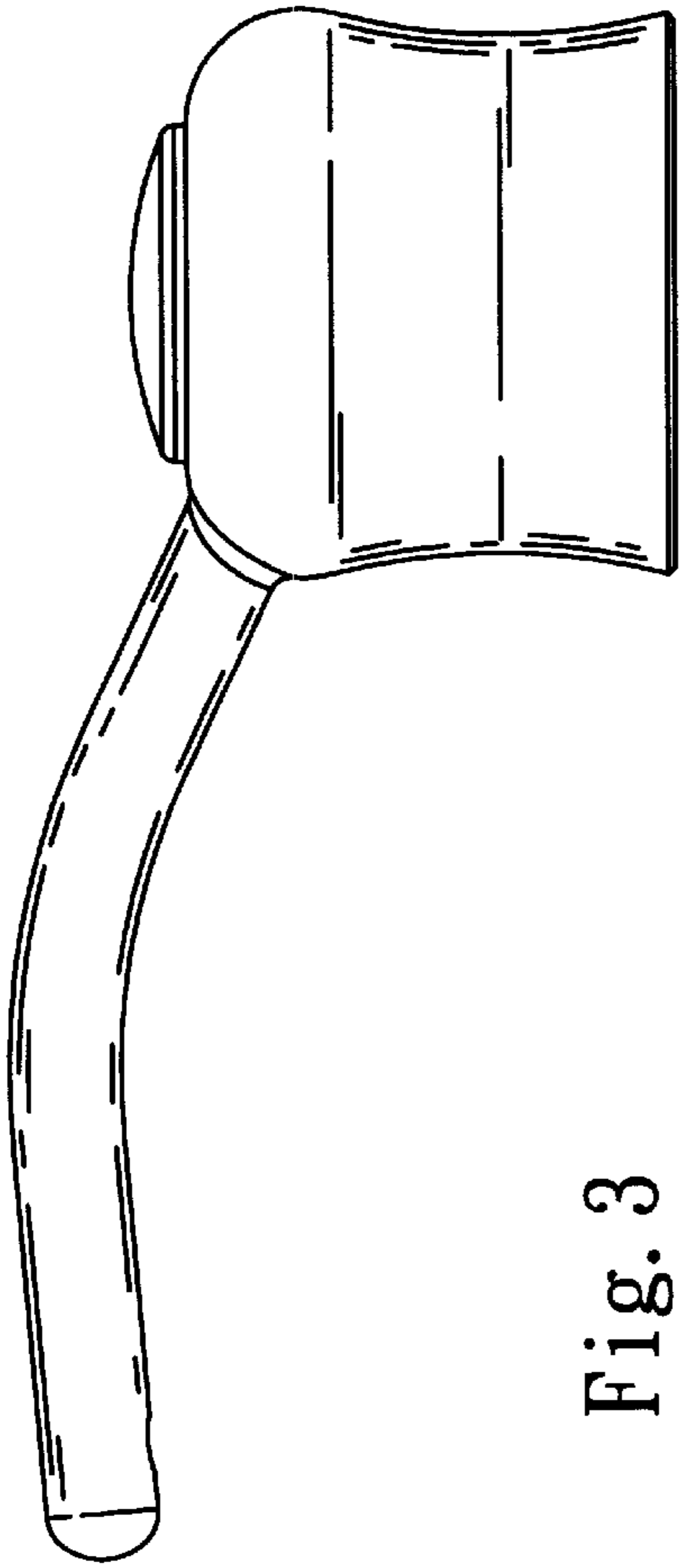


Fig. 3

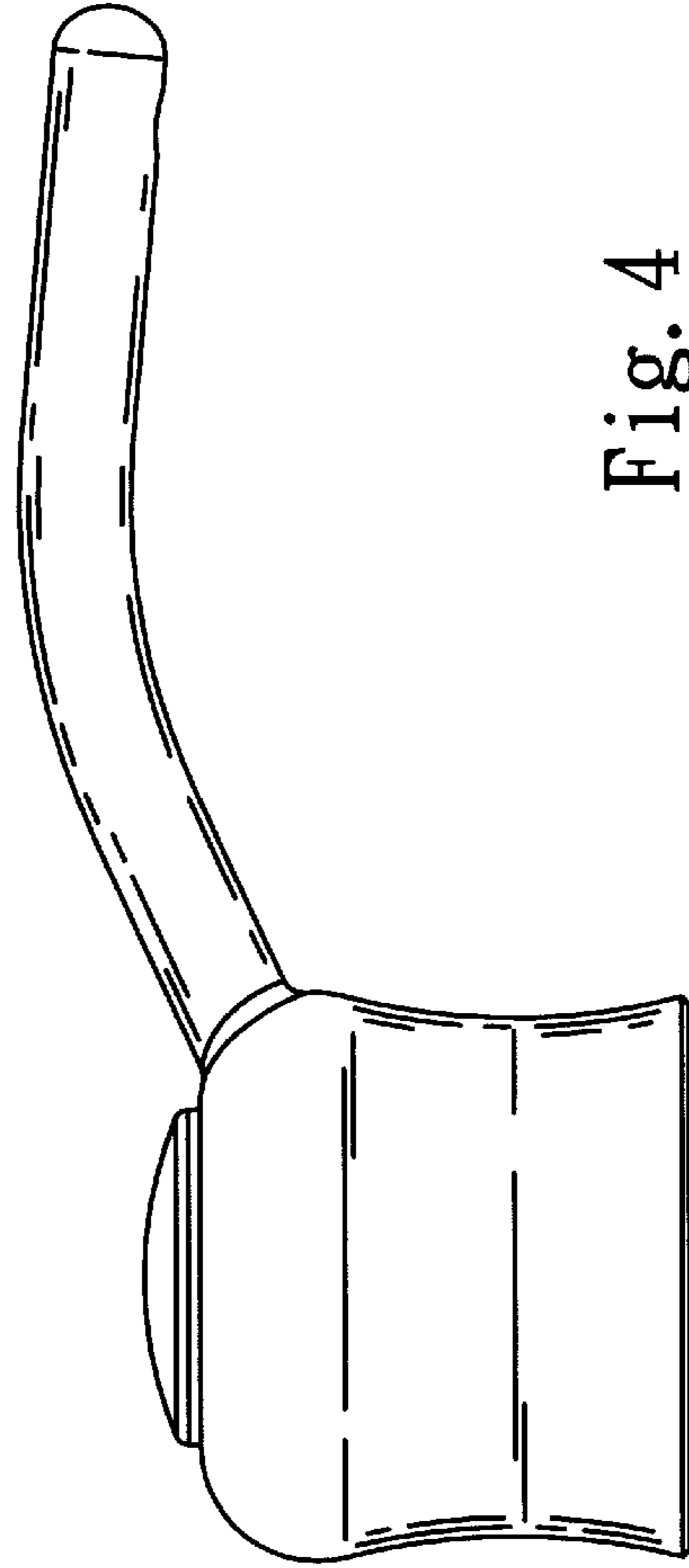


Fig. 4

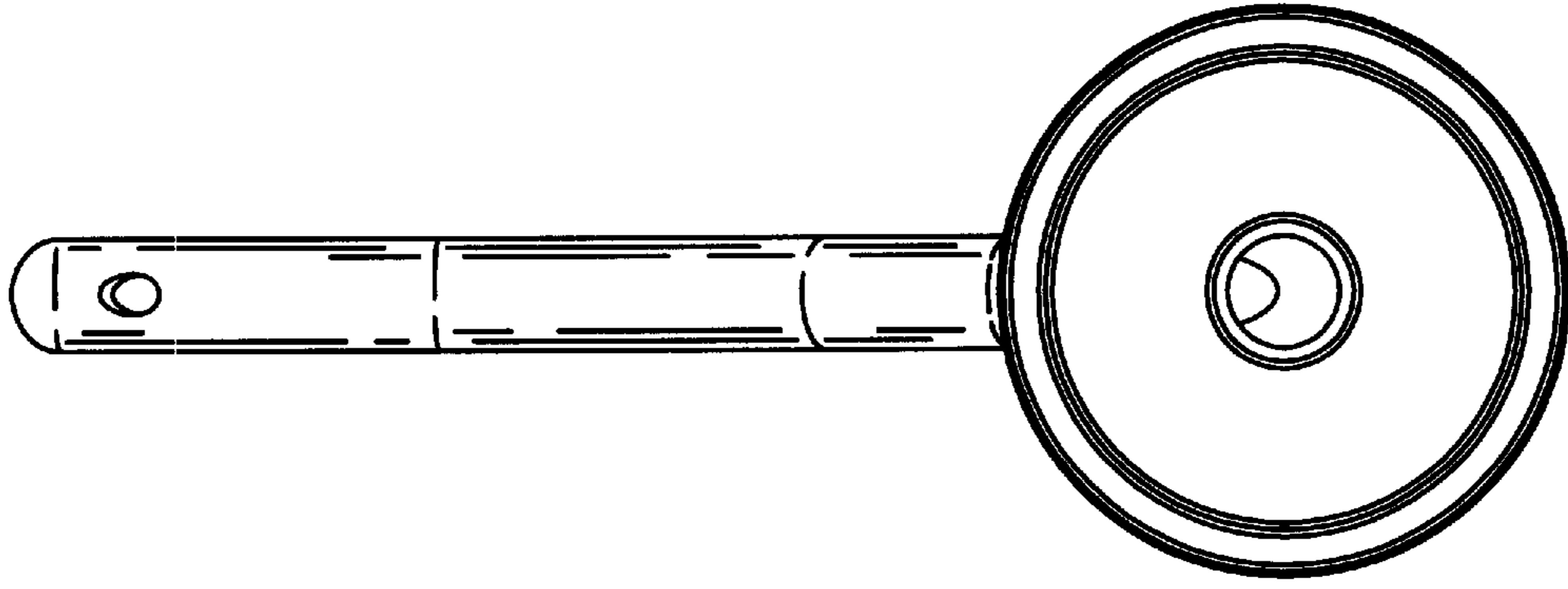


Fig. 6

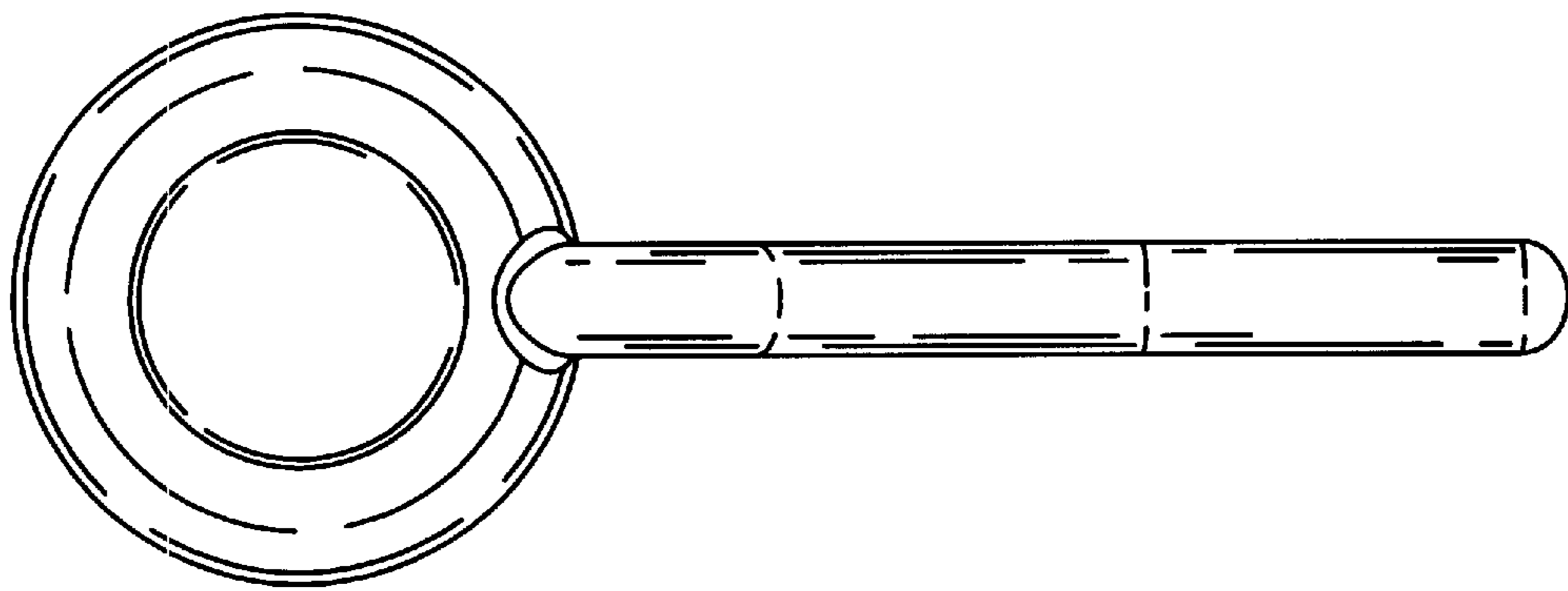


Fig. 5

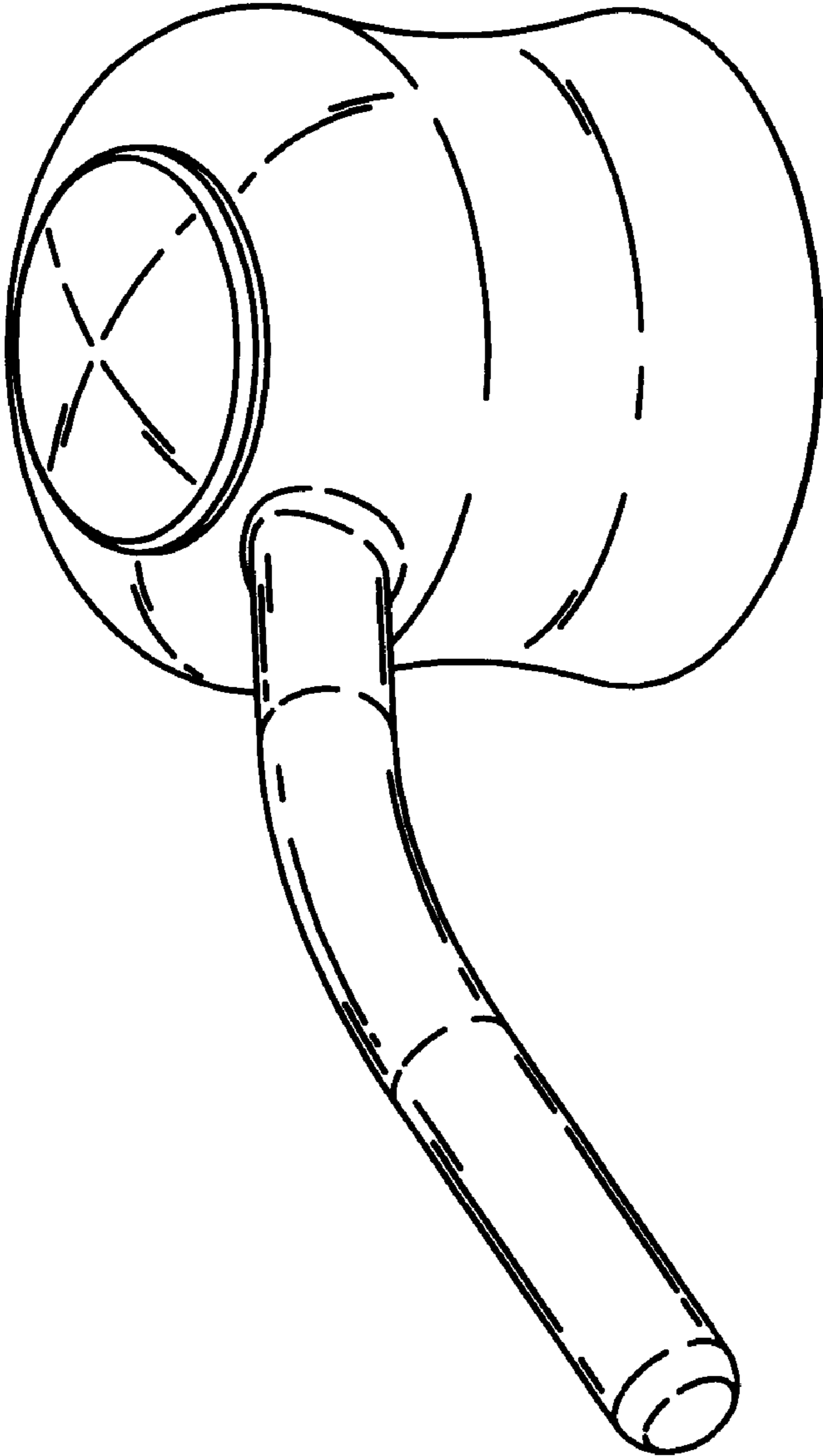


Fig. 7

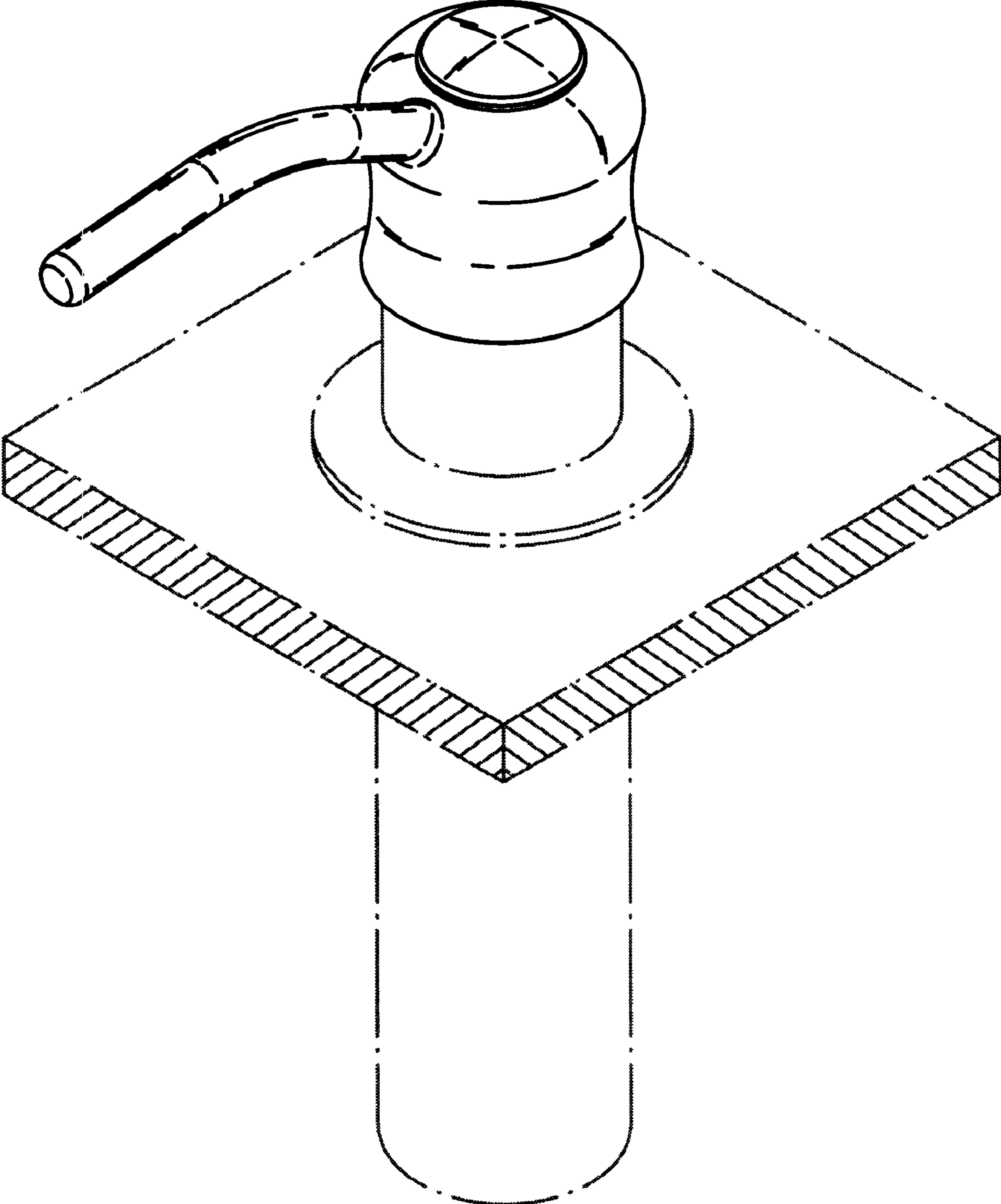


Fig. 8