



US00D530950S

(12) **United States Design Patent**
Dretzka

(10) **Patent No.:** **US D530,950 S**

(45) **Date of Patent:** **** Oct. 31, 2006**

(54) **TOOTHBRUSH STAND**

(75) **Inventor:** **Philip C. Dretzka**, Cleveland Heights, OH (US)

(73) **Assignee:** **InterDesign, Inc.**, Solon, OH (US)

(**) **Term:** **14 Years**

(21) **Appl. No.:** **29/256,921**

(22) **Filed:** **Mar. 27, 2006**

(51) **LOC (8) Cl.** **06-02**

(52) **U.S. Cl.** **D6/534**

(58) **Field of Classification Search** D6/524,
D6/526, 527, 528, 534; 206/228, 208, 209,
206/209.1, 361, 362, 362.1, 362.2, 362.3;
211/13.1, 65, 66, 70.6, 86.01, 87.01
See application file for complete search history.

(56) **References Cited**

U.S. PATENT DOCUMENTS

- D312,182 S * 11/1990 Ritchie D6/528
- D418,706 S * 1/2000 Robishaw D6/534
- D425,255 S * 5/2000 Chen D6/526

- D477,734 S * 7/2003 Snell D6/534
- D478,231 S * 8/2003 Snell D6/534
- D482,222 S * 11/2003 Dretzka D6/534
- D499,918 S * 12/2004 Snell D6/534

* cited by examiner

Primary Examiner—Brian N Vinson

(74) *Attorney, Agent, or Firm*—D. Peter Hochberg; Sean Mellino

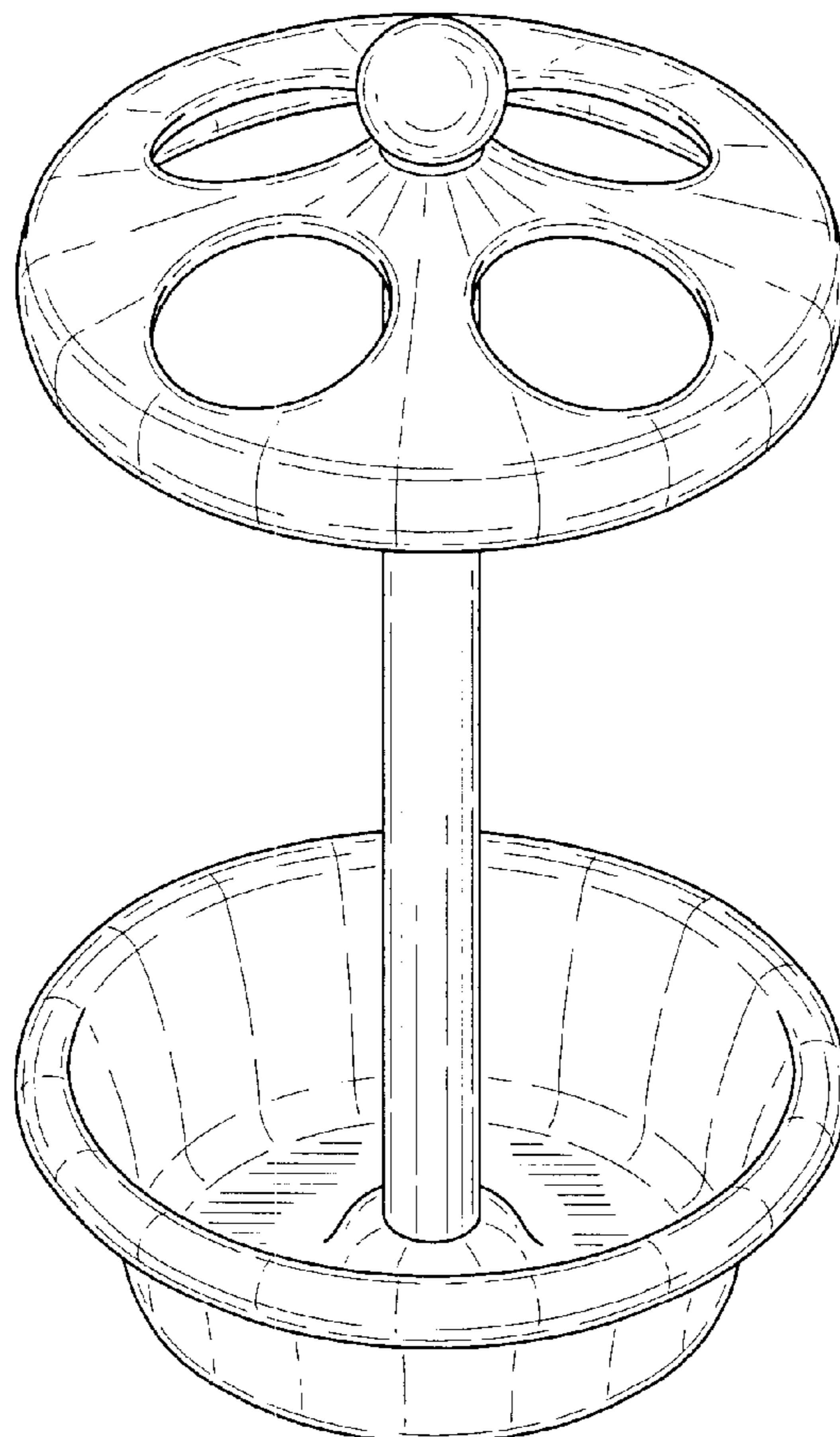
(57) **CLAIM**

The ornamental design for a toothbrush stand, as shown and described.

DESCRIPTION

FIG. 1 is a perspective view of the toothbrush stand according to the invention;
 FIG. 2 is a side view of the toothbrush stand as shown in FIG. 1;
 FIG. 3 is a top view of the toothbrush stand as shown in FIG. 1; and,
 FIG. 4 is a bottom view of the toothbrush stand as shown in FIG. 1.

1 Claim, 1 Drawing Sheet



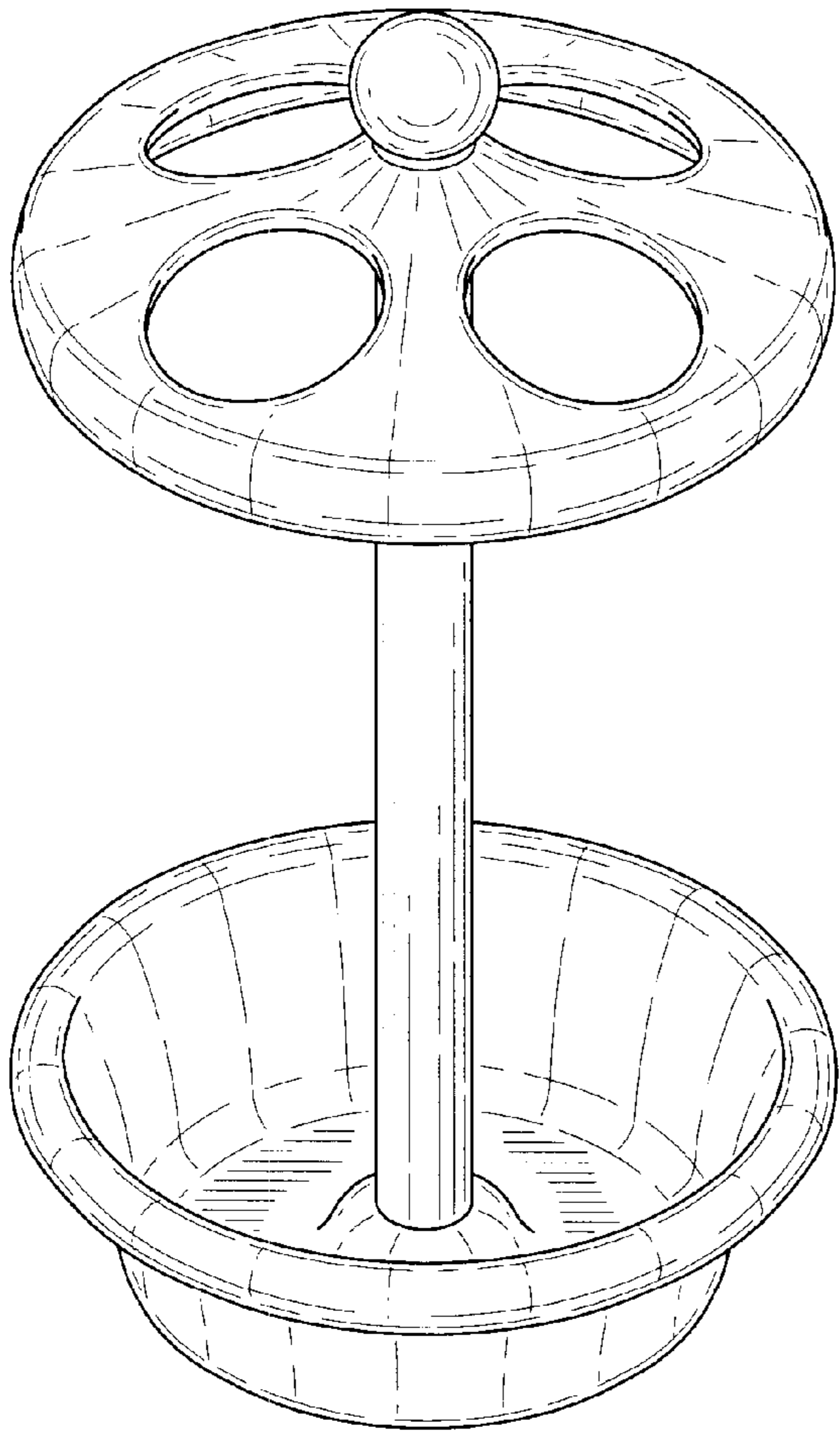


FIG-1

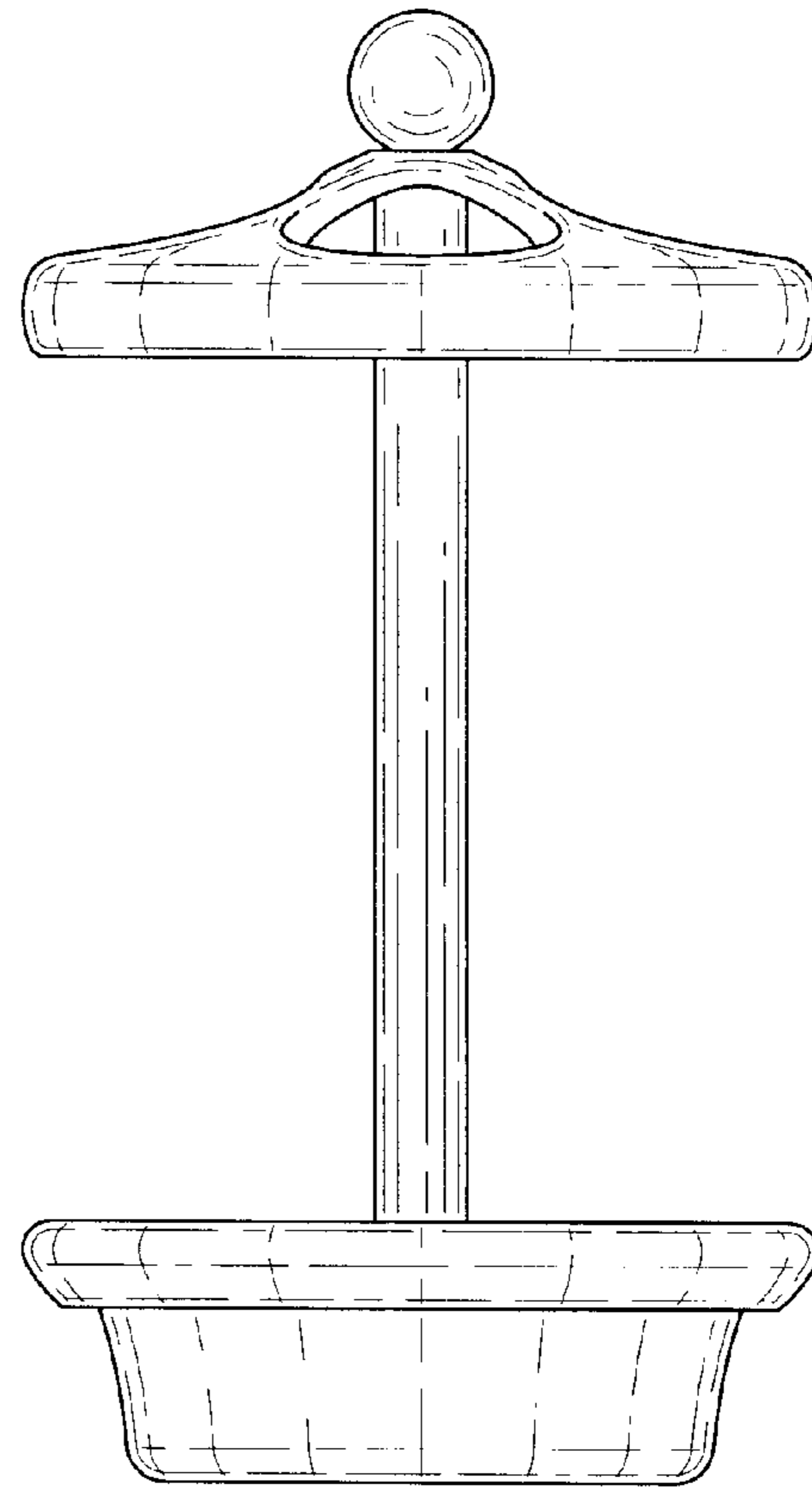


FIG-2

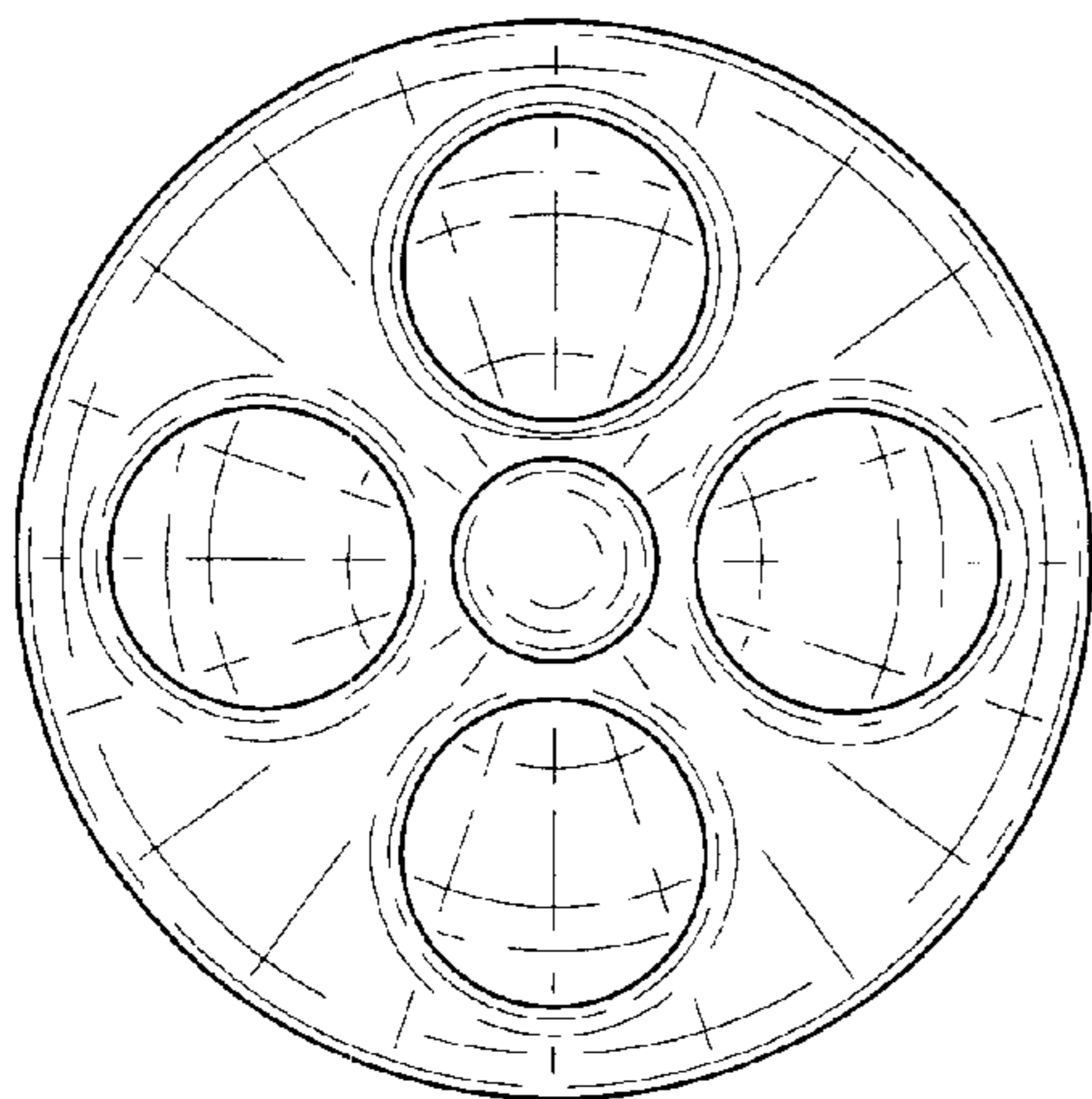


FIG-3

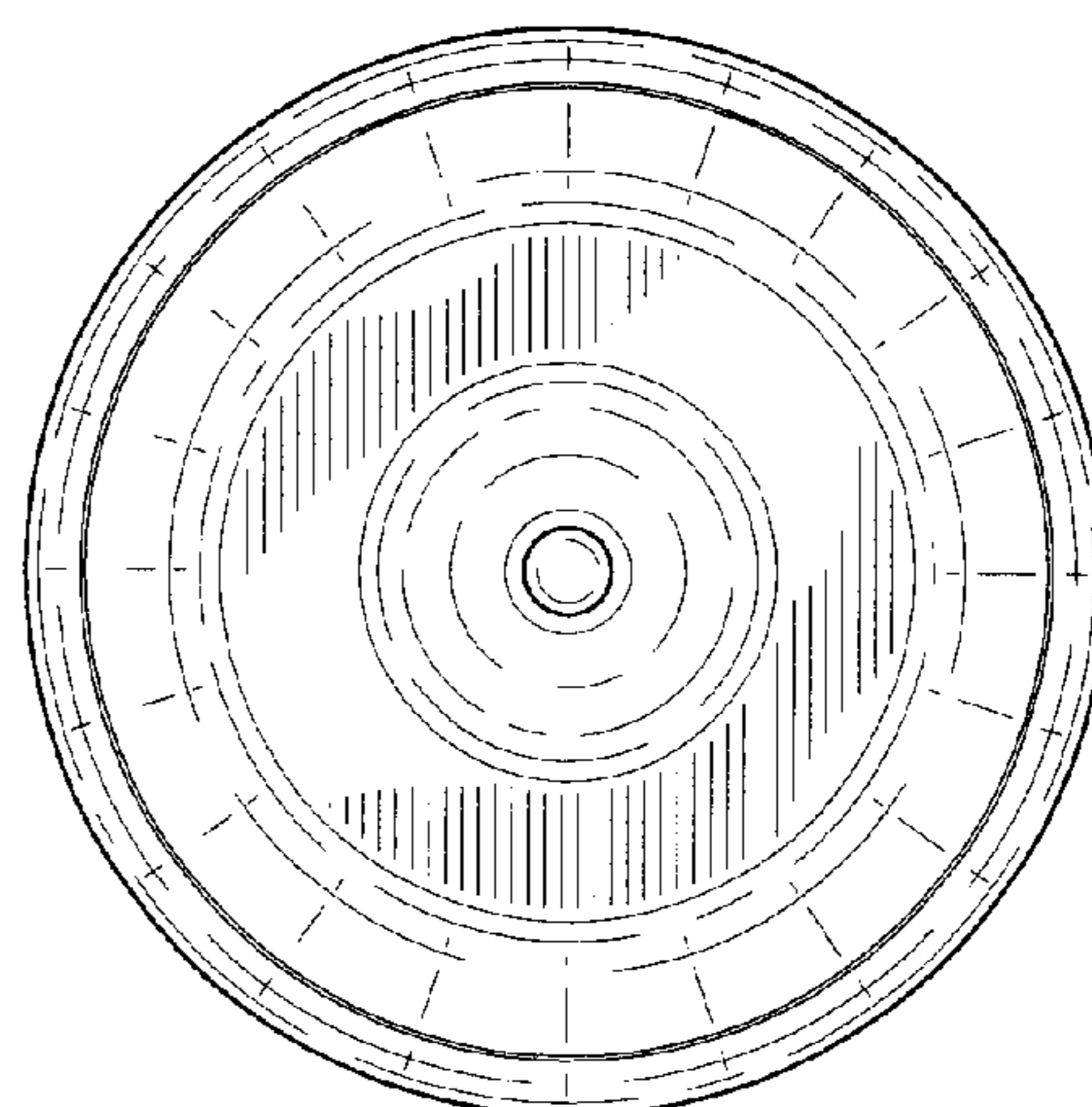


FIG-4