



US00D530948S

(12) **United States Design Patent**
Snell

(10) **Patent No.:** **US D530,948 S**

(45) **Date of Patent:** **** Oct. 31, 2006**

(54) **CADDY FOR BATHROOM ITEMS**

(75) Inventor: **Russell Benton Snell**, Bentleyville, OH (US)

(73) Assignee: **InterDesign, Inc.**, Solon, OH (US)

(**) Term: **14 Years**

(21) Appl. No.: **29/232,163**

(22) Filed: **Jun. 15, 2005**

(51) **LOC (8) Cl.** **07-07**

(52) **U.S. Cl.** **D6/525**

(58) **Field of Classification Search** D6/524,
D6/525, 566, 536, 540; 211/13.1, 74, 71.01,
211/86.01, 75, 88.01, 90.01, 90.03, 106, 119,
211/126.1, 133.5, 181.1, 134

See application file for complete search history.

(56) **References Cited**

U.S. PATENT DOCUMENTS

D472,748 S	*	4/2003	Walker	D6/525
D477,947 S		8/2003	Snell		
D479,073 S		9/2003	Snell		
D479,074 S		9/2003	Snell		
D479,663 S	*	9/2003	Snell	D6/525
D496,549 S		9/2004	Snell		
D498,102 S		11/2004	Snell		

* cited by examiner

Primary Examiner—Brian N Vinson

(74) *Attorney, Agent, or Firm*—D. Peter Hochberg; Sean Mellino

(57) **CLAIM**

The ornamental design for a caddy for bathroom items, as shown and described.

DESCRIPTION

FIG. 1 is a perspective view of the caddy for bathroom items according to the invention;

FIG. 2 is a top view of the caddy for bathroom items as shown in FIG. 1;

FIG. 3 is a front view of the caddy for bathroom items as shown in FIG. 1;

FIG. 4 is a side view of the caddy for bathroom items as shown in FIG. 1;

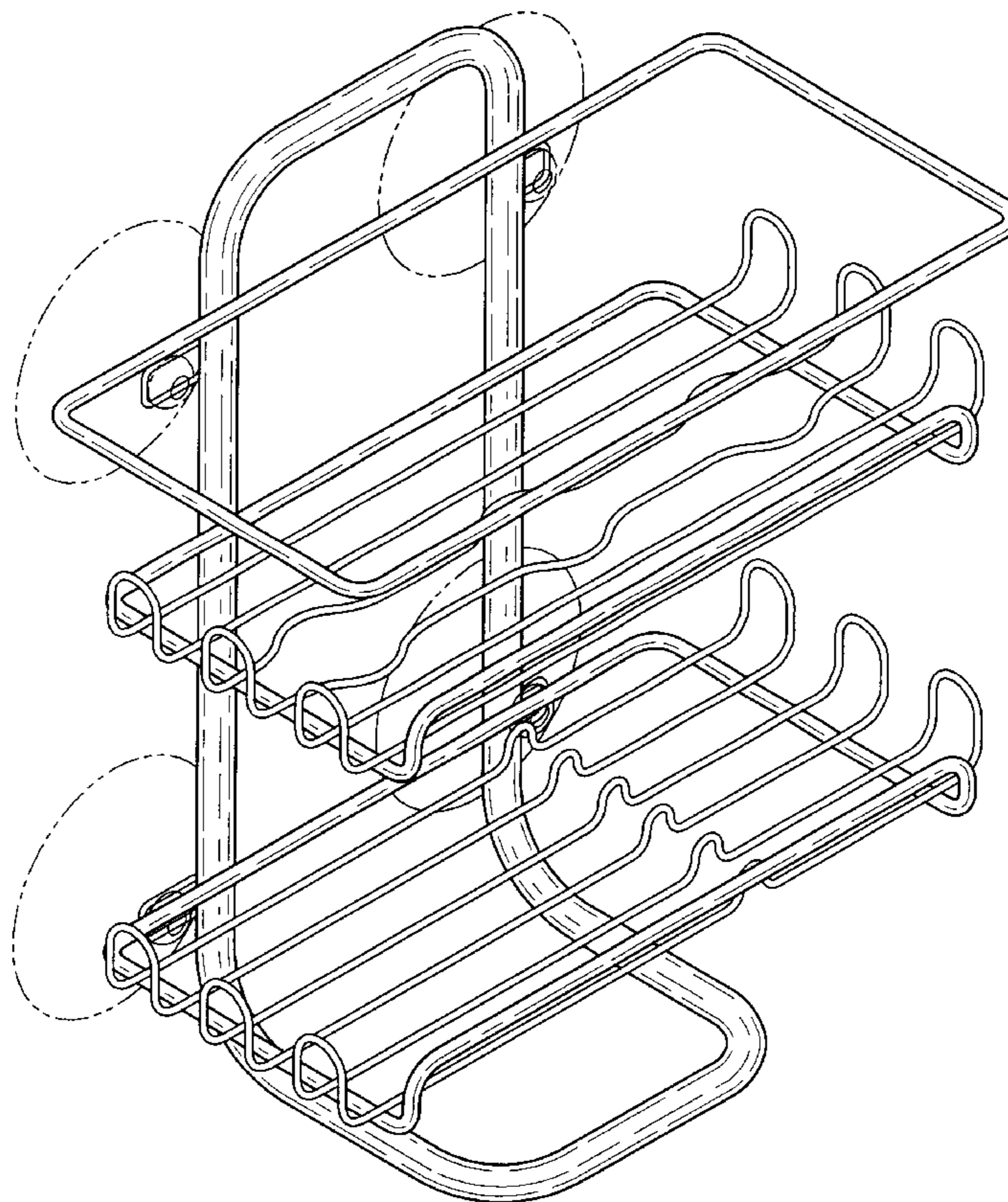
FIG. 5 is a rear view of the caddy for bathroom items as shown in FIG. 1

FIG. 6 is a side view of the caddy for bathroom items as shown in FIG. 1, viewed from the opposite side of that shown in FIG. 4; and,

FIG. 7 is a bottom view of the caddy for bathroom items as shown in FIG. 1.

The broken-line disclosure in the views is for illustrative purposes only and forms no part of the claimed design.

1 Claim, 3 Drawing Sheets



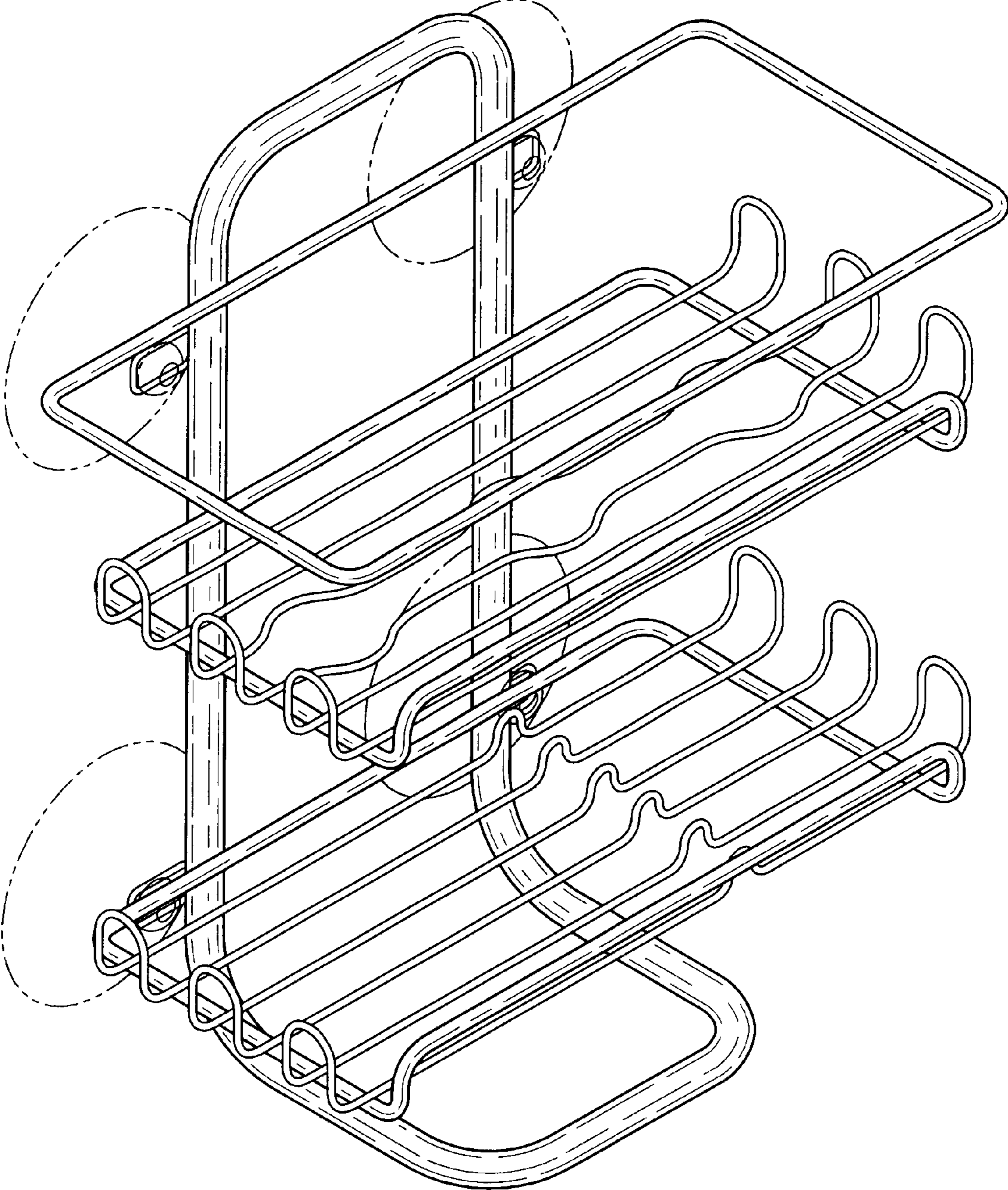


FIG-1

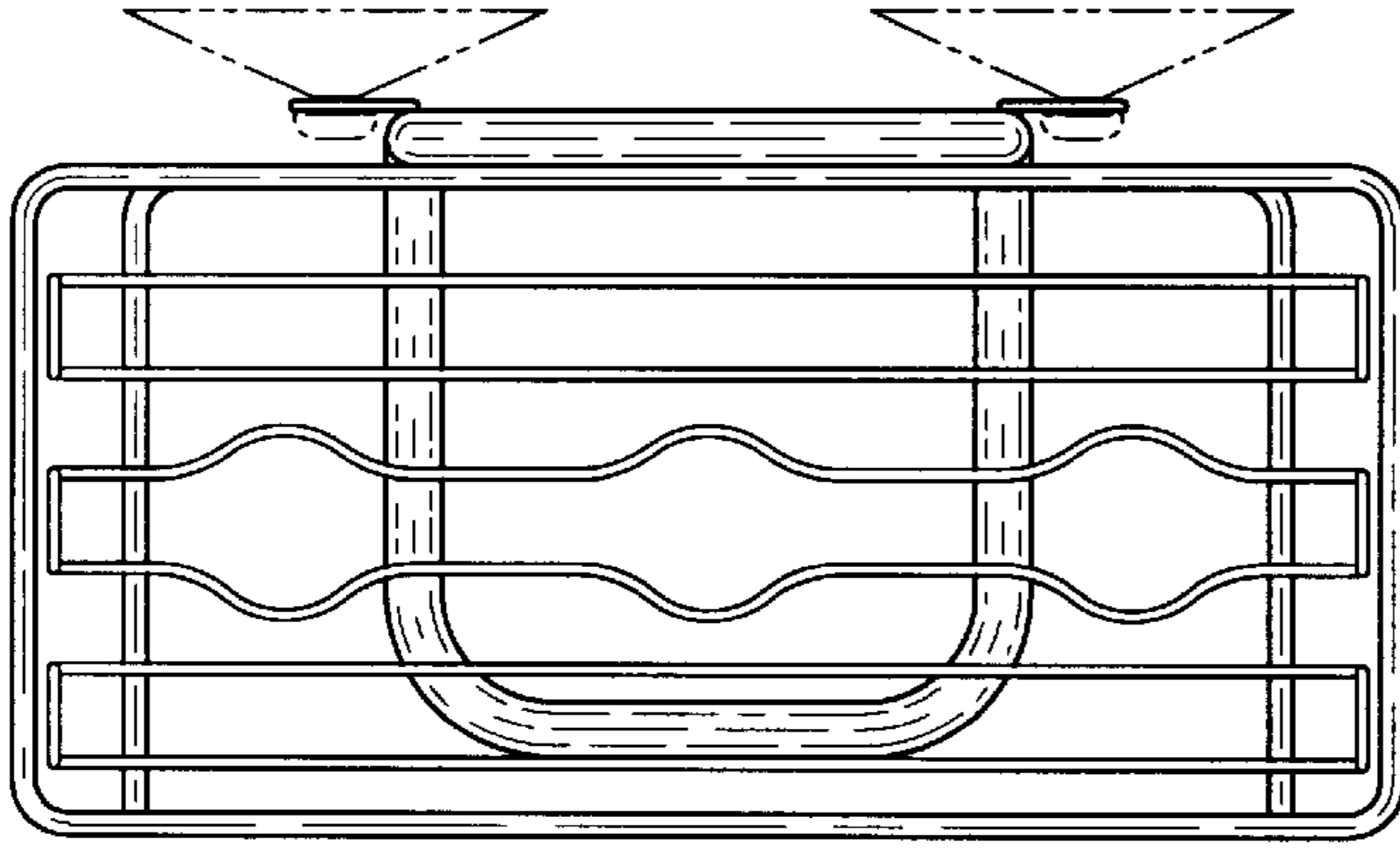


FIG-2

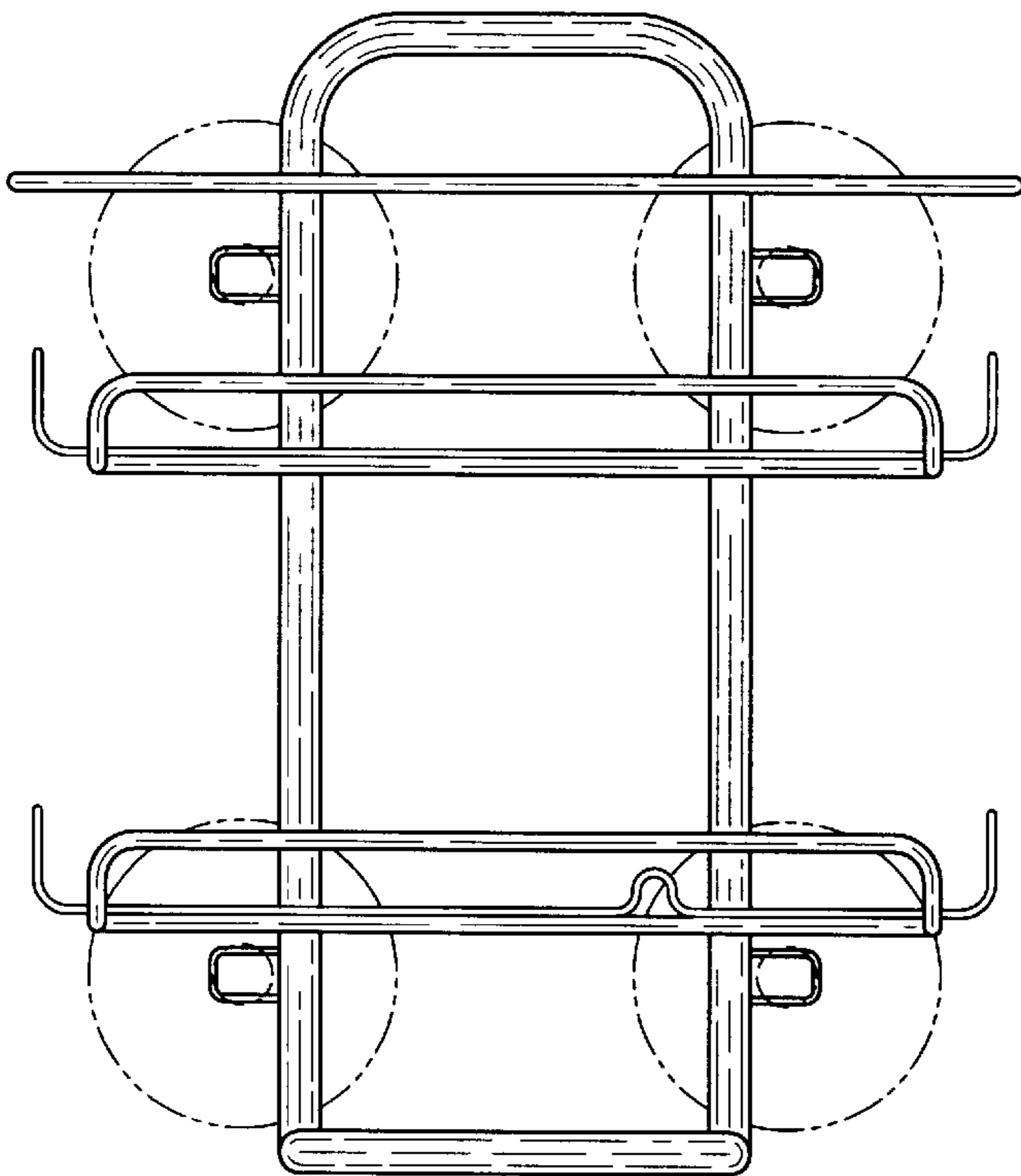


FIG-3

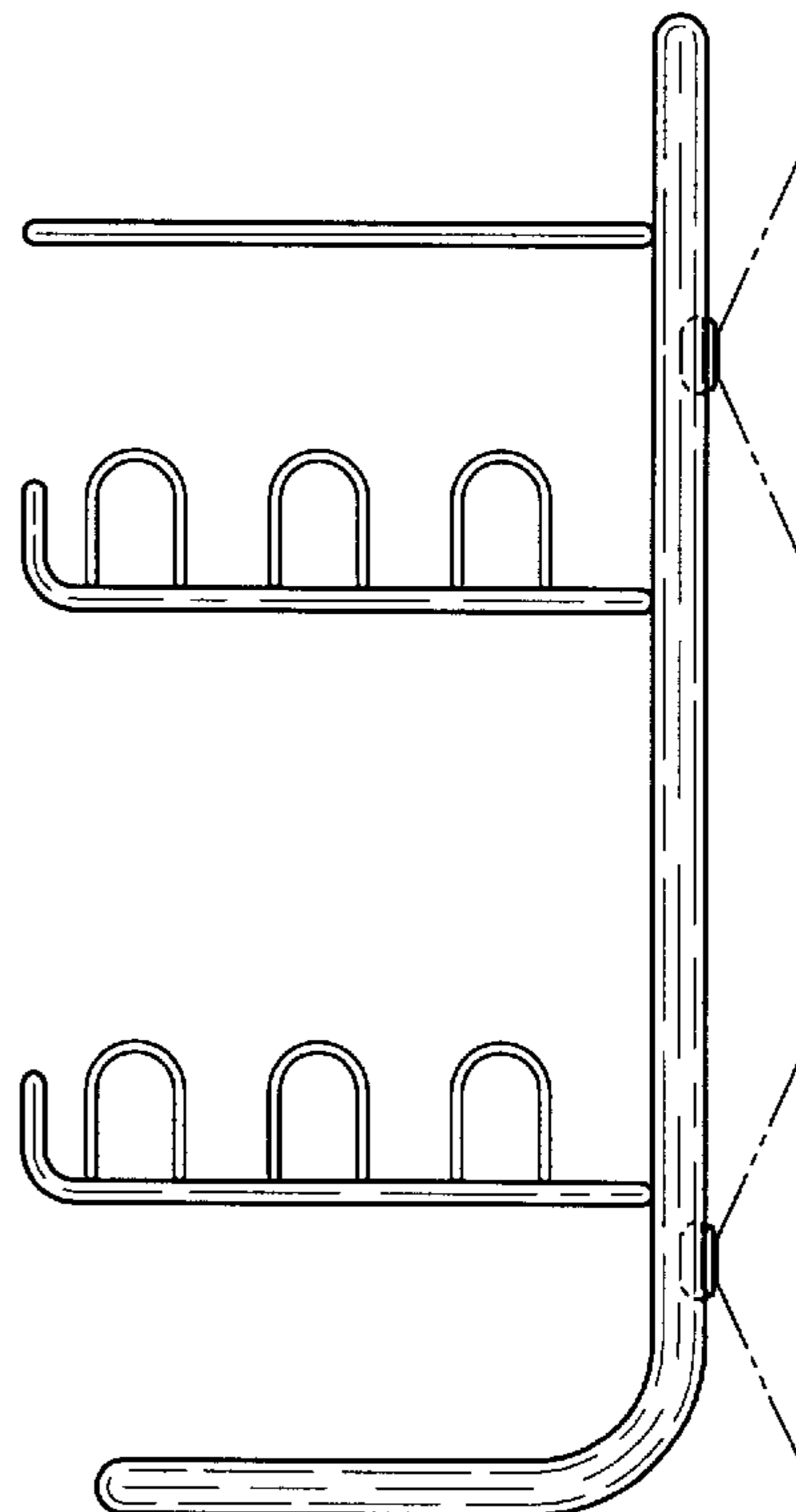


FIG-4

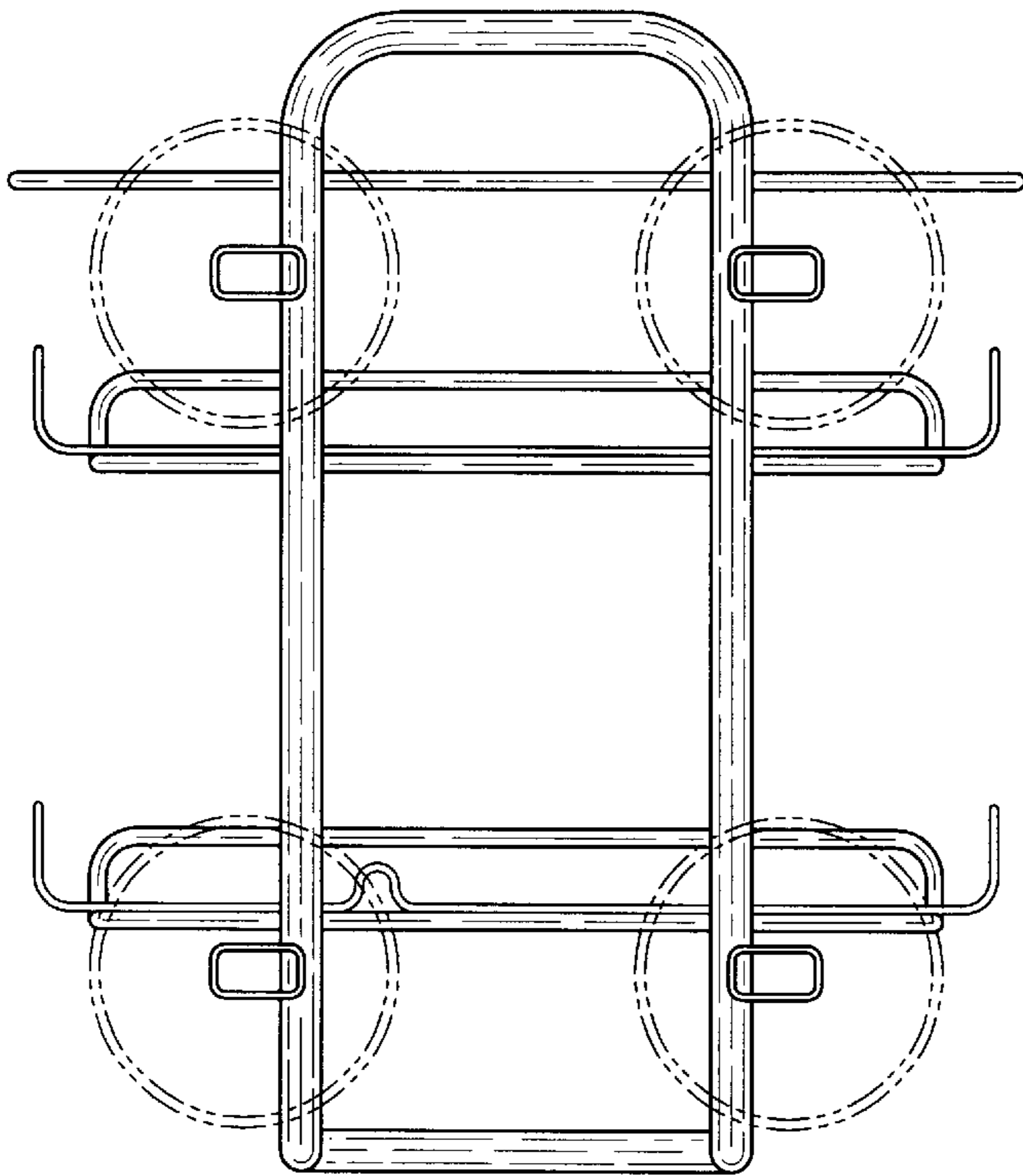


FIG-5

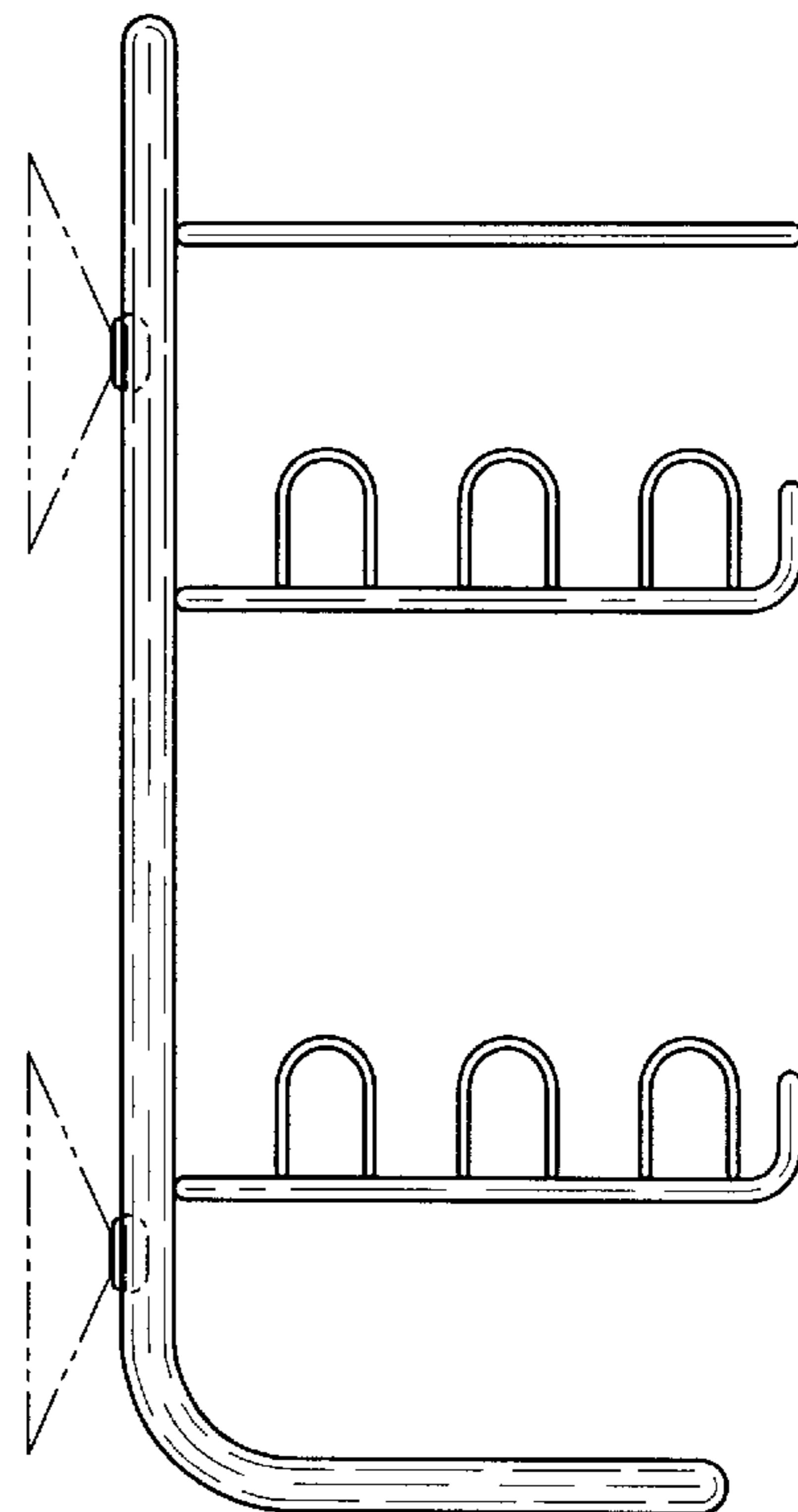


FIG-6

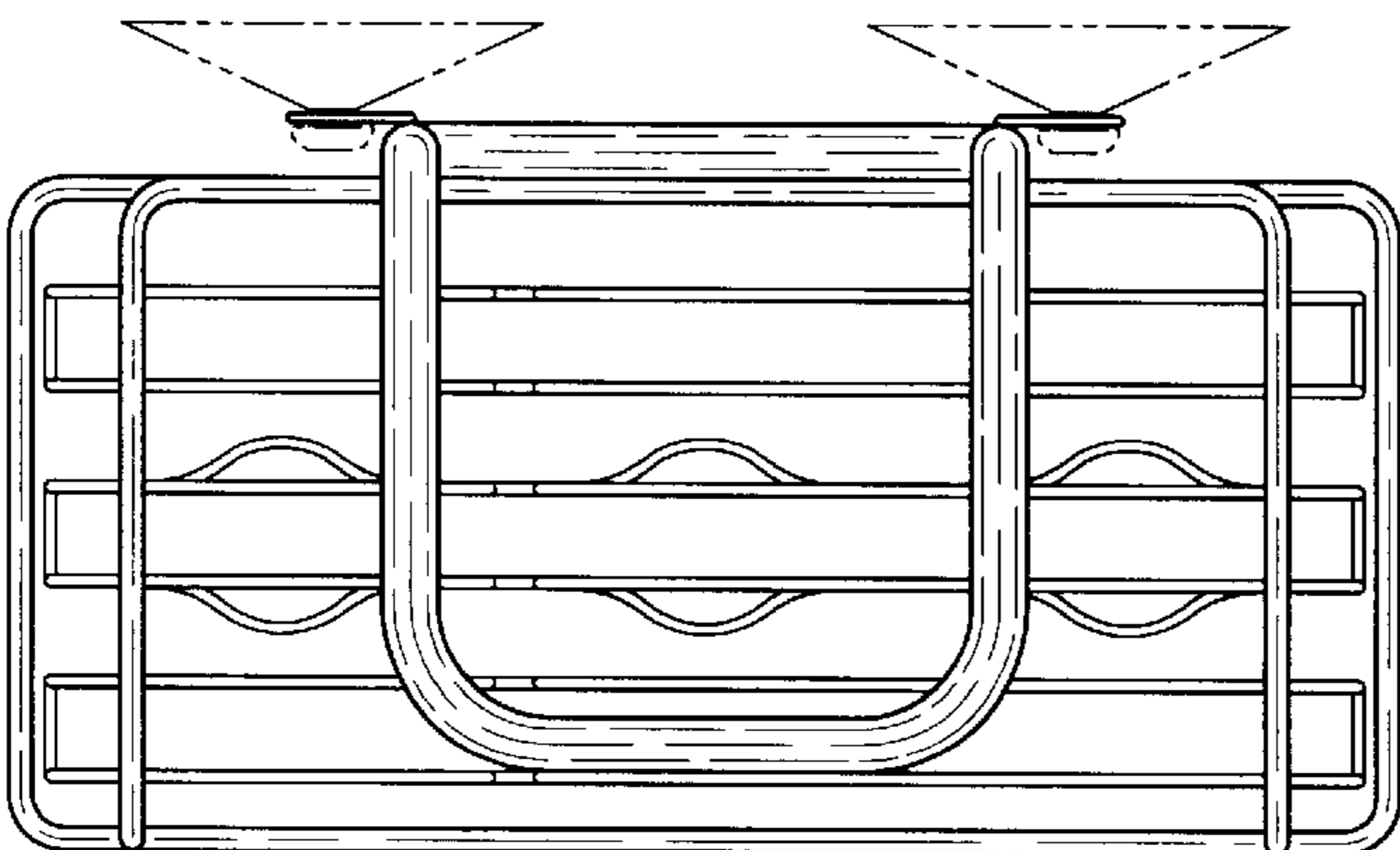


FIG-7