



US00D530947S

(12) **United States Design Patent**
Garcia-Elste et al.

(10) **Patent No.:** **US D530,947 S**
(45) **Date of Patent:** **** Oct. 31, 2006**

(54) **COMPARTMENTED CONTAINER WITH
TEAR STRIPS FOR STORING AND
DISPENSING MULTIPLE ROLLS OF
WRAPPING PAPER**

(76) Inventors: **Saralee Garcia-Elste**, 1716 Evergreen
St., Saint Charles, IL (US) 60174;
Michael W. Elste, 1716 Evergreen St.,
Saint Charles, IL (US) 60174

(**) Term: **14 Years**

(21) Appl. No.: **29/202,379**

(22) Filed: **Mar. 31, 2004**

(51) **LOC (8) Cl.** **06-06**

(52) **U.S. Cl.** **D6/520**

(58) **Field of Classification Search** D6/518,
D6/520; 206/389, 391; 222/129, 173; 221/33,
221/92, 45-46, 197, 282; 242/159, 160.2,
242/570, 590

See application file for complete search history.

(56) **References Cited**

U.S. PATENT DOCUMENTS

2,334,825	A	11/1943	Jones	
2,347,823	A	5/1944	Goodman et al.	
2,860,773	A	11/1958	Zackheim	
4,027,795	A	6/1977	Rigden	
D301,979	S	* 7/1989	Britz et al. D6/520
5,301,854	A	4/1994	Scobey	

5,305,937	A	4/1994	Barnett	
D392,482	S	* 3/1998	Seenath D6/515
5,887,818	A	3/1999	Kelley	
5,941,476	A	8/1999	Copass	
D474,928	S	* 5/2003	Miller D6/520
D508,793	S	* 8/2005	Walker D6/520

* cited by examiner

Primary Examiner—Brian N Vinson

(74) *Attorney, Agent, or Firm*—Donald R. Schoonover

(57) **CLAIM**

We claim the ornamental design for a compartmented container with tear strips for storing and dispensing multiple rolls of wrapping paper, as shown and described.

DESCRIPTION

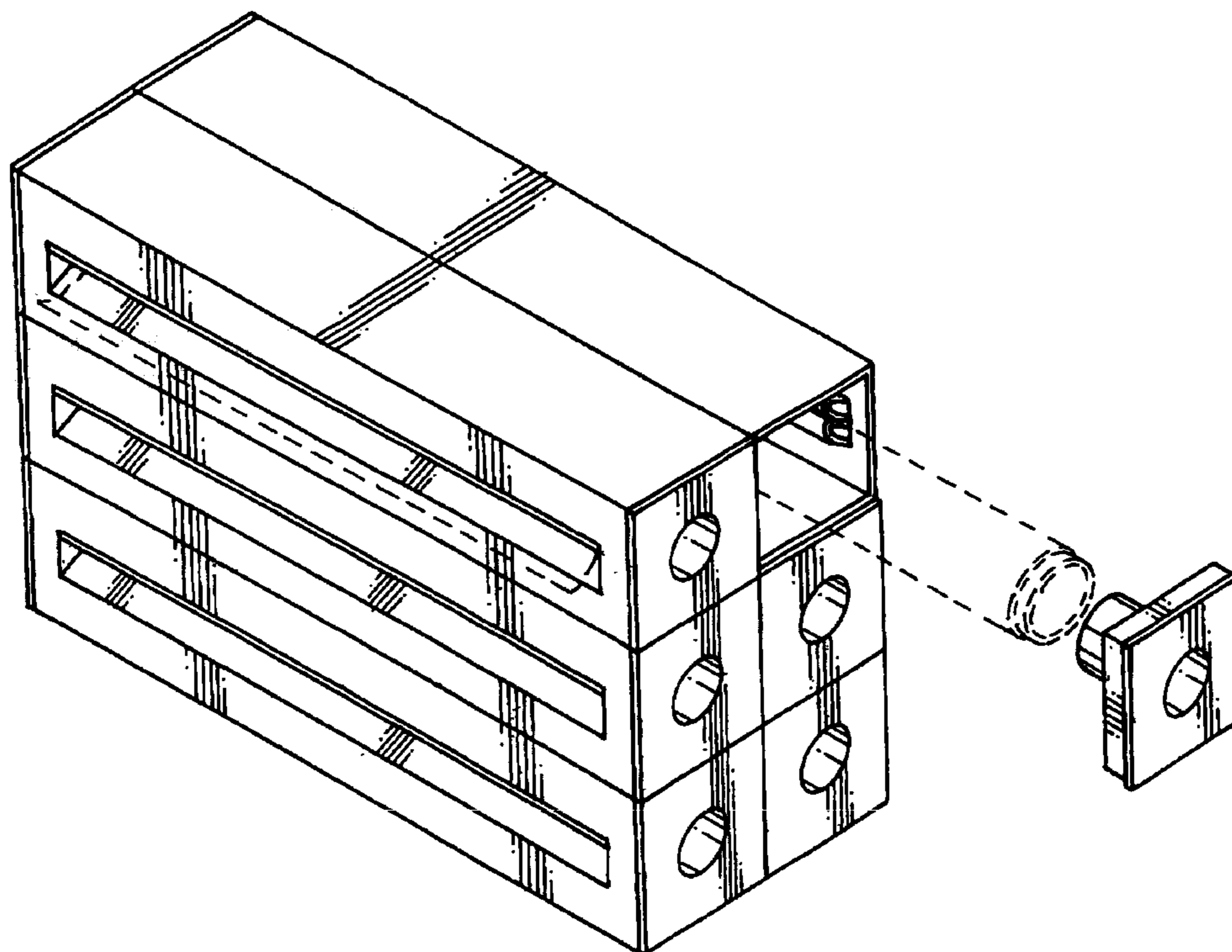
FIG. 1 is a perspective view of a compartmented container with tear strips for storing and dispensing multiple rolls of wrapping paper showing our new design with one end cap removed for purposes of clarity; the broken lines depict environmental structure for illustrative purposes only and form no part of the claimed design;

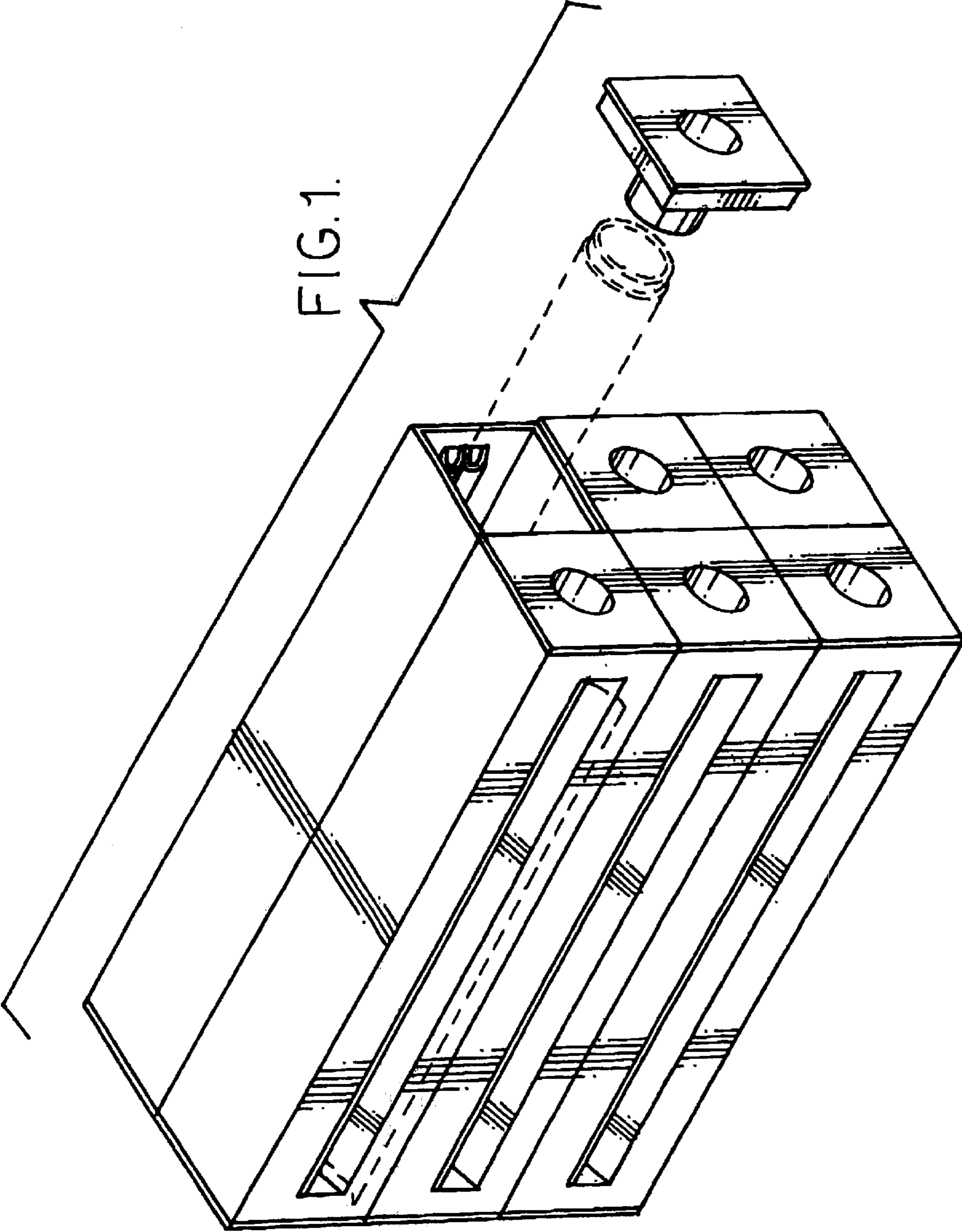
FIG. 2 is a side elevational view thereof, the elevational view of the opposing side being identical thereto;

FIG. 3 is an end elevational view thereof, the elevational view of the opposing end being identical thereto; and,

FIG. 4 is a top plan view thereof, the bottom plan view being identical thereto.

1 Claim, 3 Drawing Sheets





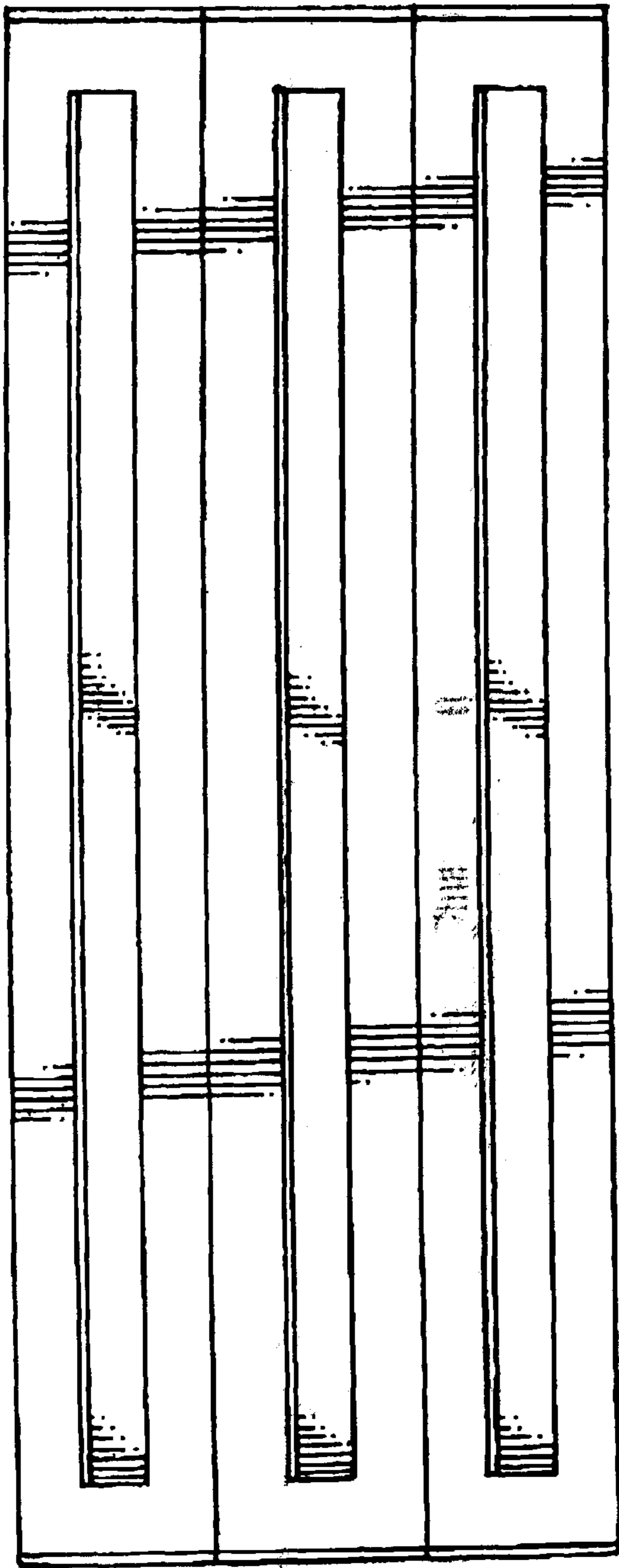


FIG. 2.

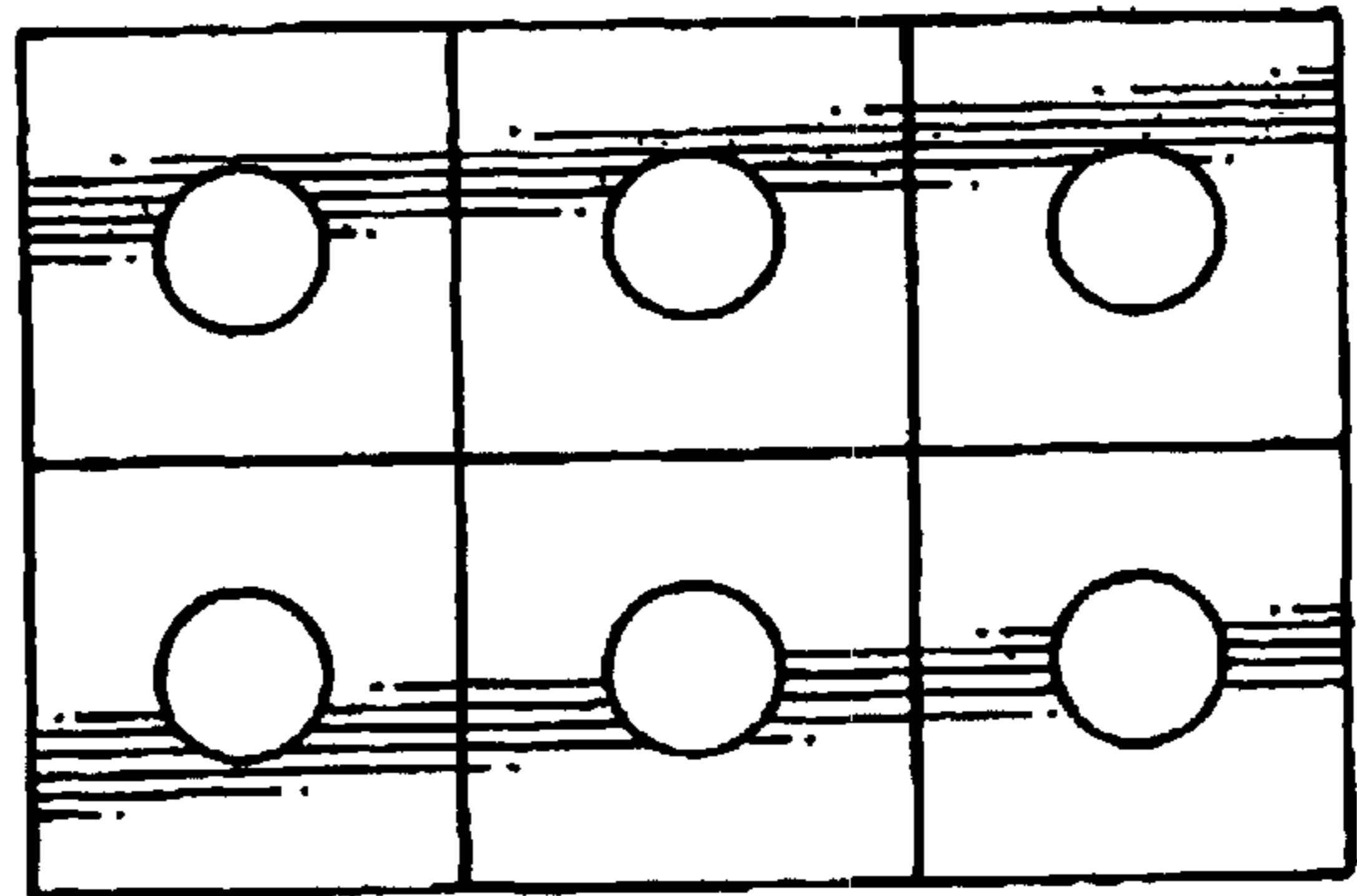


FIG. 3.

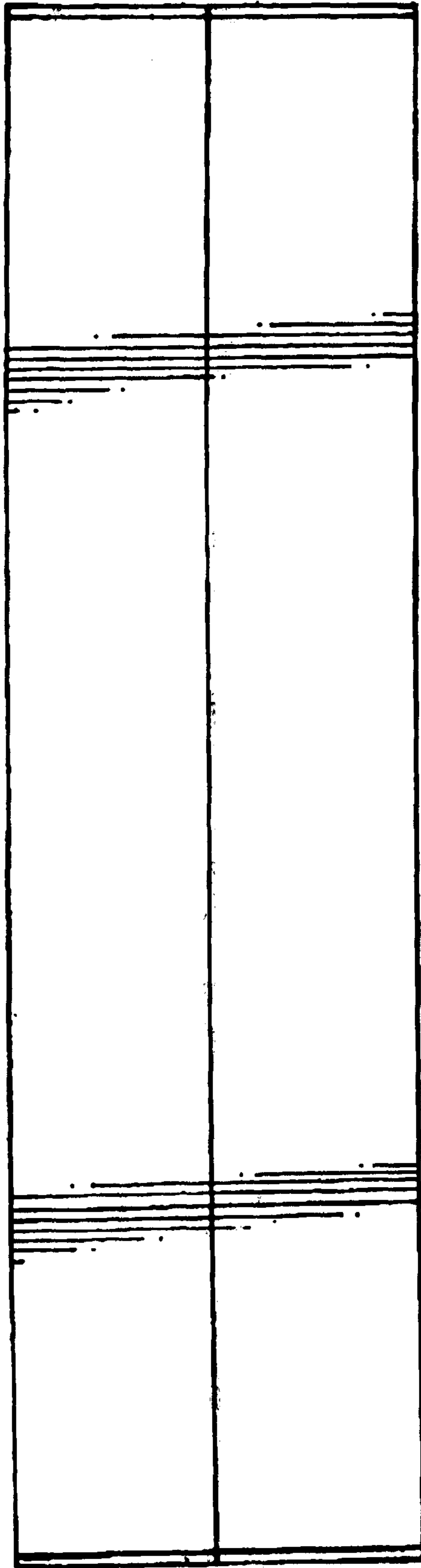


FIG. 4.